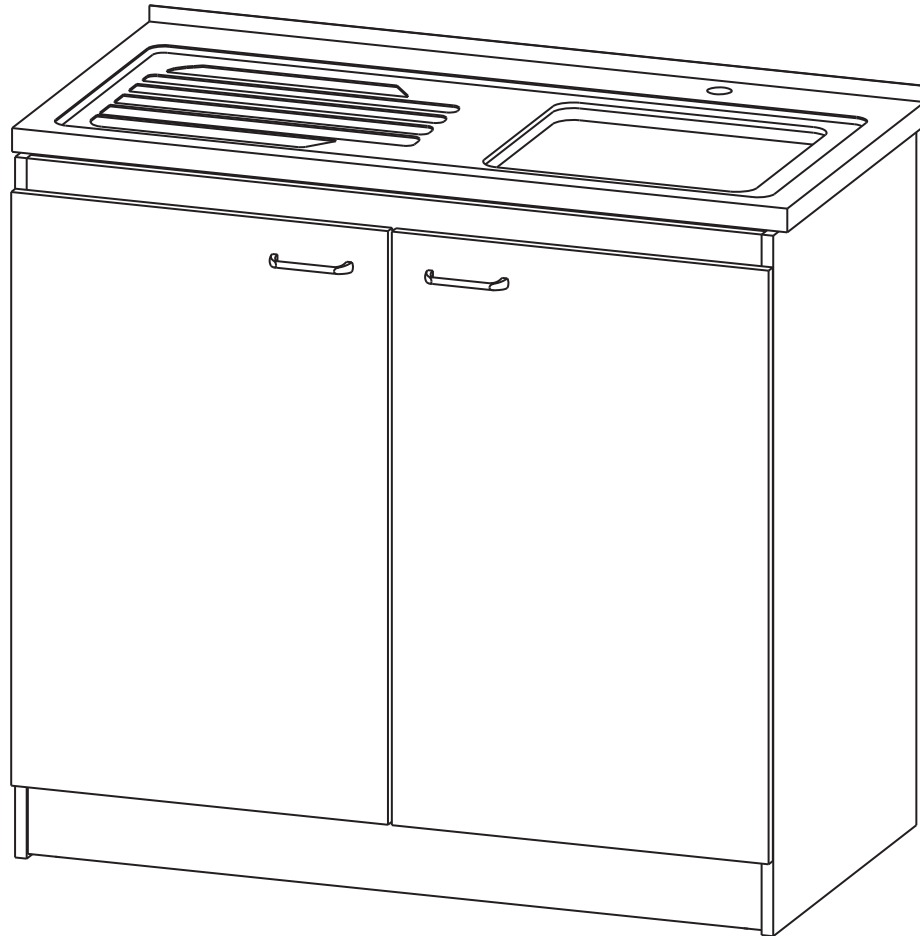


ASSEMBLY INSTRUCTIONS

INSTRUCCIONES DE ENSAMBLE



Height: 35,4 in
Width: 39,3 in
Depth: 20,5 in

Alto: 90 cm
Ancho: 100 cm
Fondo: 52 cm

LOT N°

FREESTANDING SINK
Mueble Inferior Kit
Lavaplatos



IMPORTANT RECOMMENDATIONS

Do not paint the cabinet.

The cabinet **MUST** be used exclusively indoors, do not expose to direct sun.

Clean metallic hardware with a dry cloth.

Do **NOT** overload the cabinet (see suggested loads).

Do not hit or hammer the cabinet (just when indicated).

Clean with a slightly damp cloth, use gentle soaps.

Do not drag, lift and move between two people.

Avoid direct contact with water, fire or exposure to heat sources.

RECOMENDACIONES IMPORTANTES

No pintar el mueble.

El mueble debe ser usado únicamente en interiores, no exponer al sol directo.

Limpiar los herrajes metálicos con un paño seco.

NO sobrecargar el mueble (ver las cargas sugeridas).

No golpear ni martillar el mueble (solo cuando se indique).

Limpiar con un paño ligeramente húmedo, usar jabones suaves.

No arrastre el mueble, levántelo entre dos personas.

Evite el contacto directo con el agua, el fuego o la exposición a fuentes de calor.



WARNING

Never allow children to climb or manipulate the cabinet, furniture tip over can cause serious injuries or death.



ADVERTENCIA

Nunca permita que los niños escalen o manipulen el mueble, la caída de este puede provocar lesiones graves o la muerte.

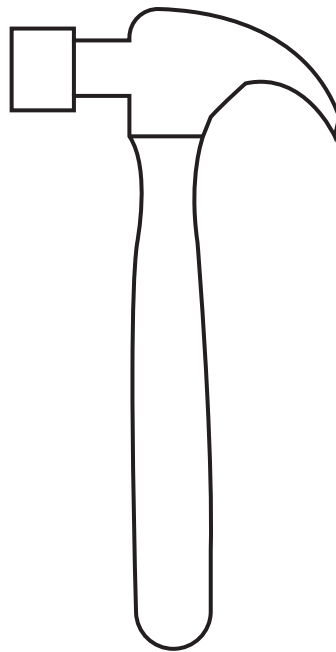
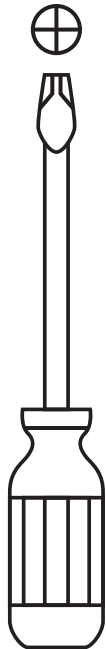
INDEX

ÍNDICE

Assembly Hardware	4	Herrajes para Armado.....	4
Assembly Parts	5	Piezas de Armado.....	5
Suggested Loads.....	6	Cargas Sugeridas.....	6
Assembly Recommendations.....	6	Recomendaciones de Ensamble.....	6
Assembly Steps	7-14	Pasos de Armado.....	7-14
Warranty.....	15	Garantía	15

REQUIRED TOOLS*

HERRAMIENTAS NECESARIAS*



*Not included, and not shown actual size.

*No incluidas y no se muestran en tamaño real.

ASSEMBLY HARDWARE

HERRAJES PARA ARMADO

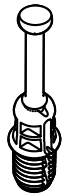
Please check that the hardware content is correct. If any item is missing, please call to our customer service line.

Compruebe que el contenido de los herrajes sea el correcto. En caso de que falte alguna pieza, por favor llame a nuestra línea de atención al cliente.



x12

Minifix Cams
Minifix



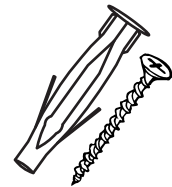
x12

Spreading Bolt
Perno Minifix



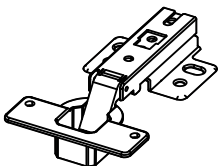
x19

Wood Dowel
Tarugo



x3

Drywall Screw +
Wall Anchor
Chazo Mariposa
+ Tornillo Ensamble



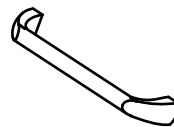
x4

Full Overlay Hinge
Bisagra Parche



x20

Flat Head Screw
Tornillo Lámina



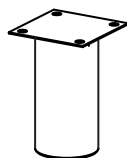
x2

Handle
Manija



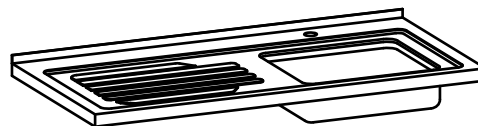
x13

Cover Caps
Tapa Adhesiva
Minifix



x5

Leg
Pata



x1

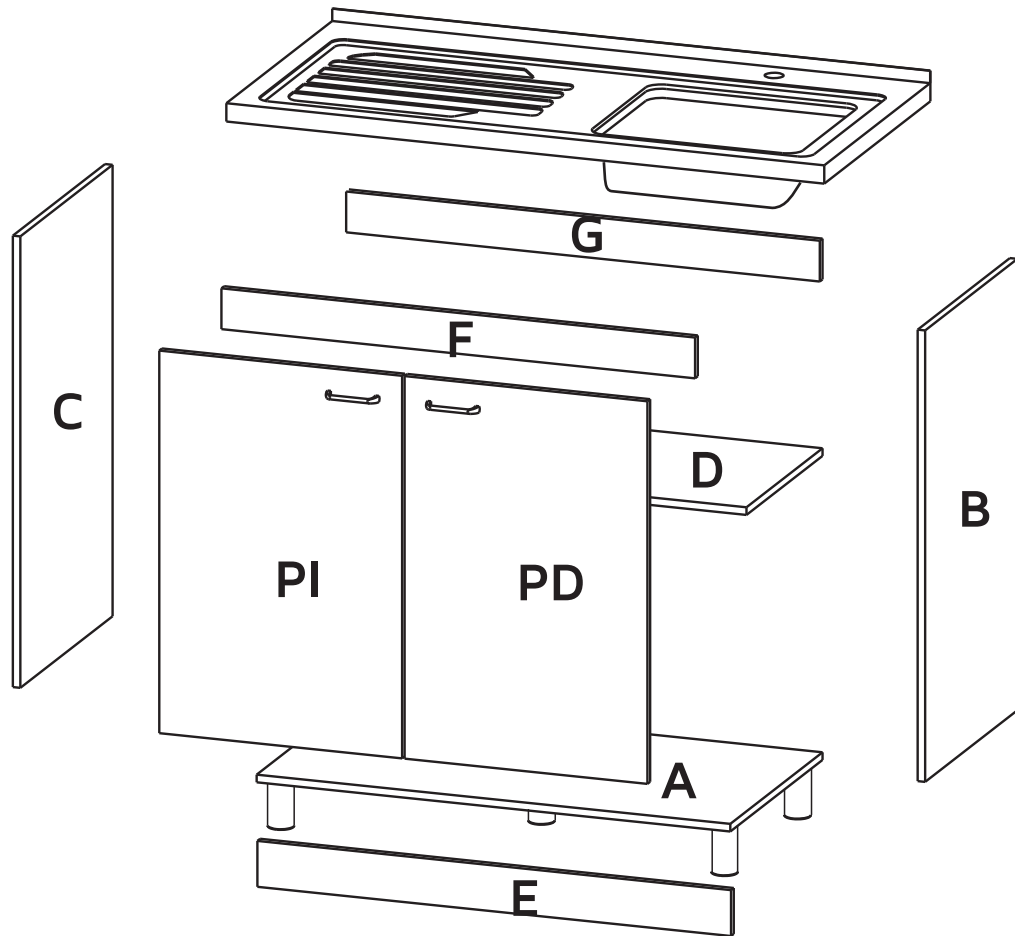
Countertop
Mesón

Hardware items are NOT shown actual size.

Los herrajes no se muestran en el tamaño real.

ASSEMBLY PARTS

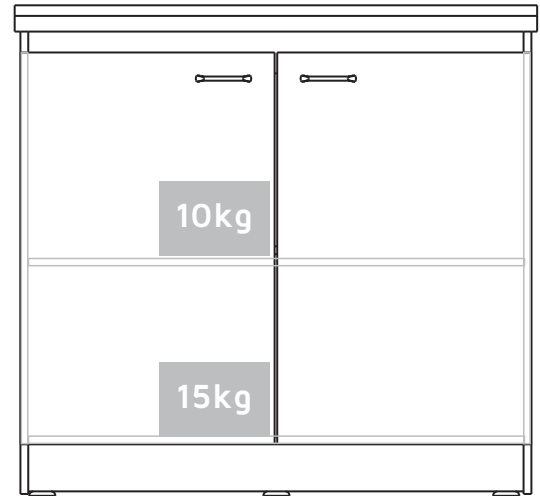
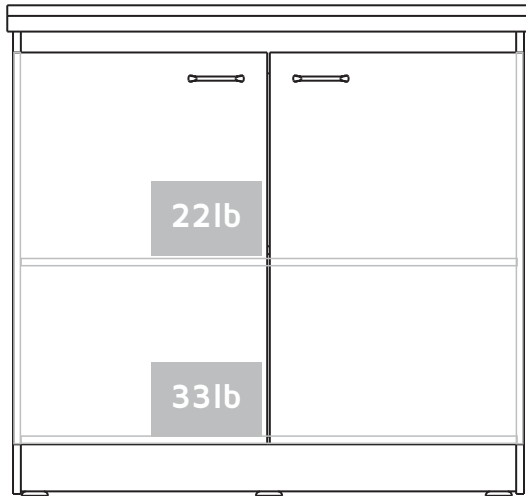
PIEZAS DE ARMADO



A - x1	F - x1
B - x1	G - x1
C - x1	PI - x1
D - x1	PD - x1
E - x1	

MAX SUGGESTED LOADS

CARGAS MÁXIMAS SUGERIDAS



ASSEMBLY RECOMMENDATIONS

RECOMENDACIONES DE ENSAMBLE

Two people are recommended to assemble the product.

Ensamble el mueble entre dos personas.

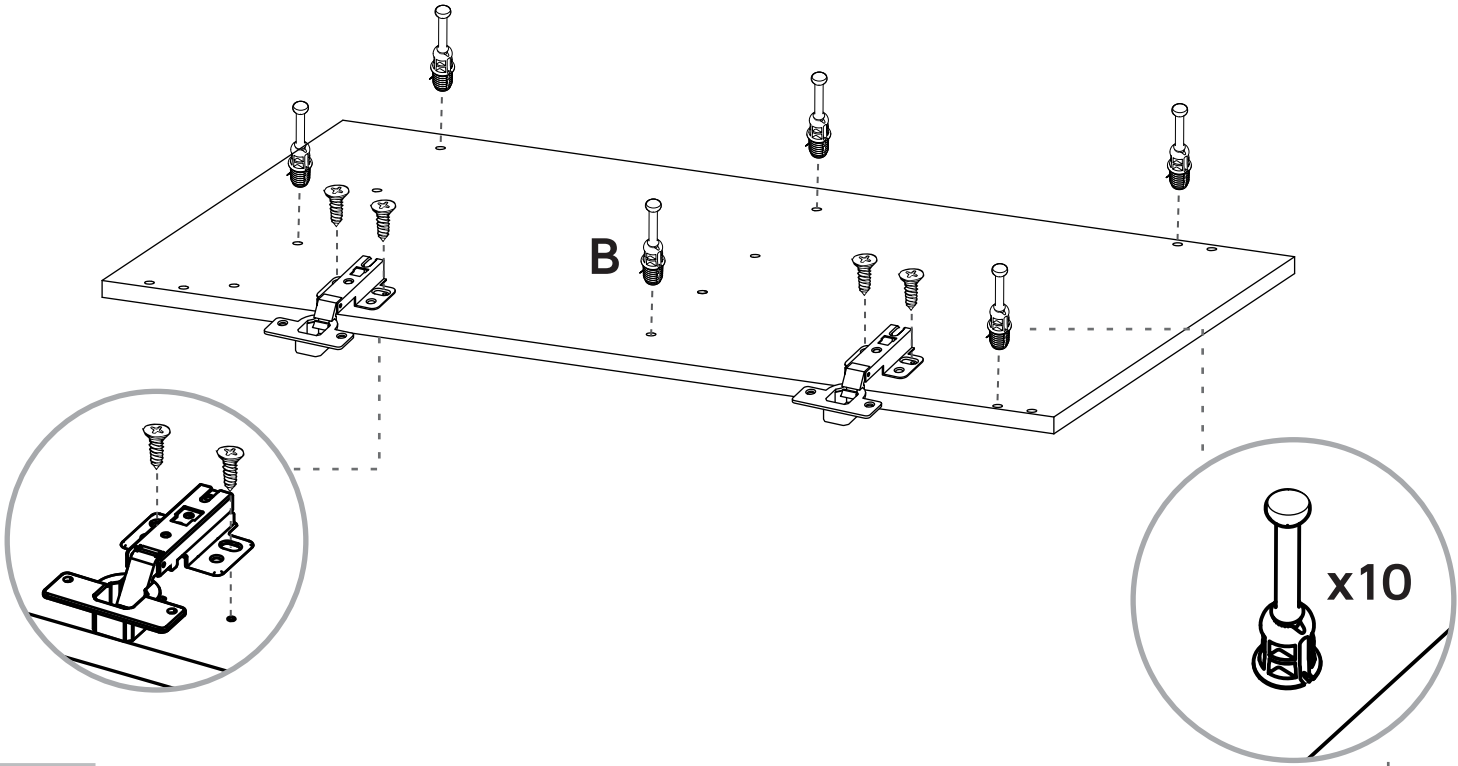
Assemble the cabinet on a flat, smooth surface, preferably on a carpeted floor or the carton box of the product.

Ensamble el mueble sobre una superficie plana y lisa, preferiblemente sobre un tapete o el cartón de la caja

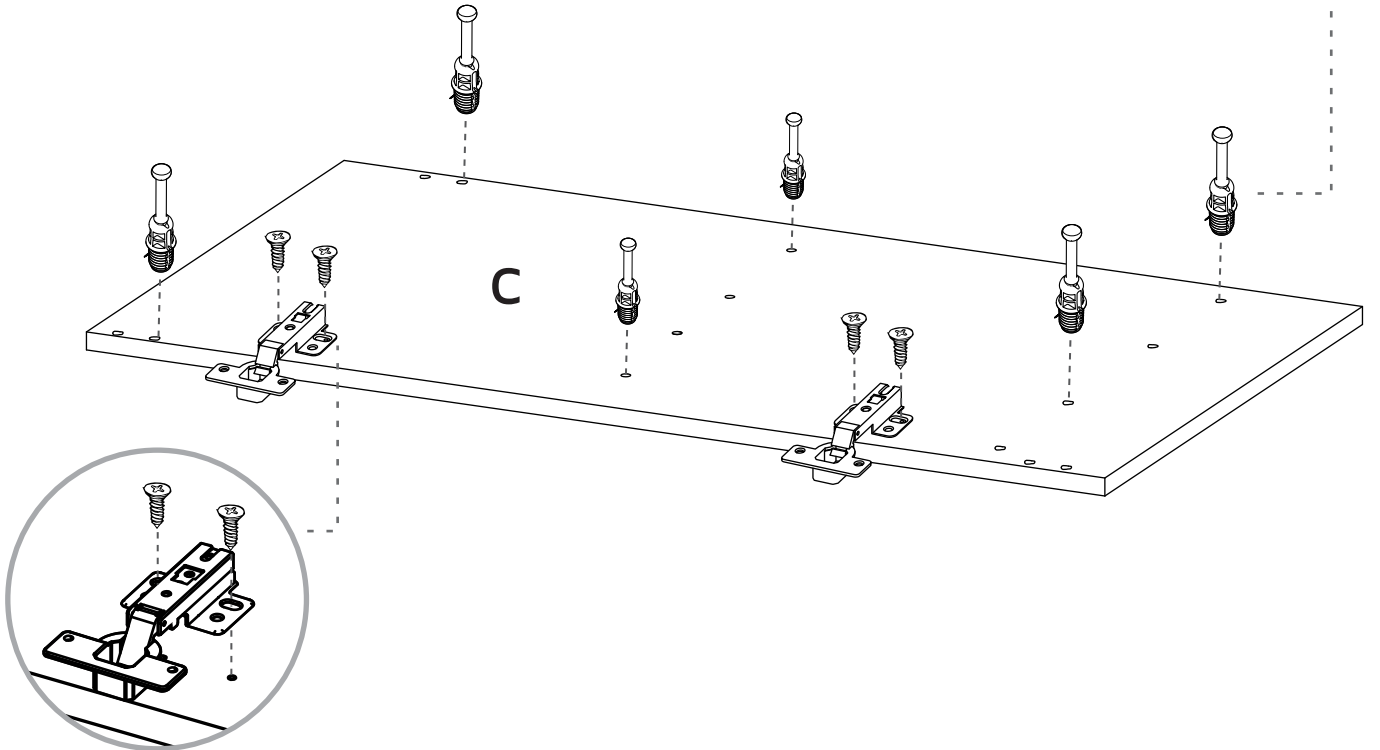
Carefully read the assembly instructions and identify every wood and hardware part before start assembling the cabinet.

Lea cuidadosamente las instrucciones e identifique todas las piezas y herrajes antes de empezar a armar el mueble.

1



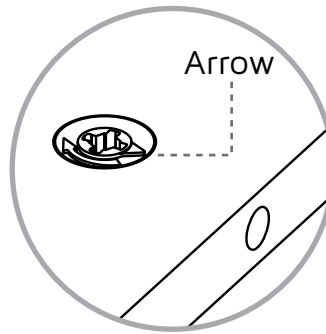
2



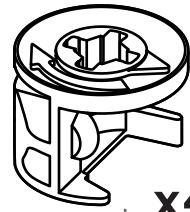
3



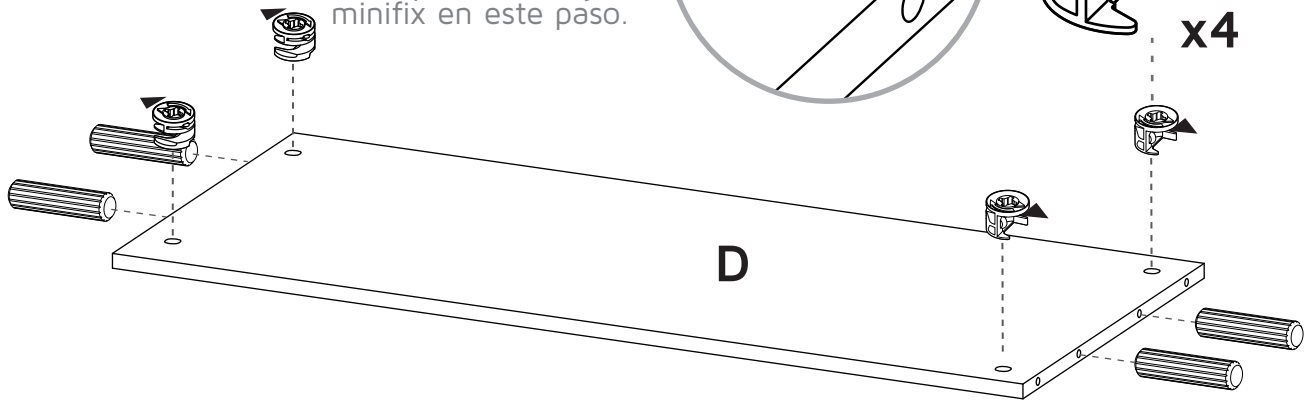
Do NOT tighten the
cams in this step.
NO apriete las cajas
minifix en este paso.



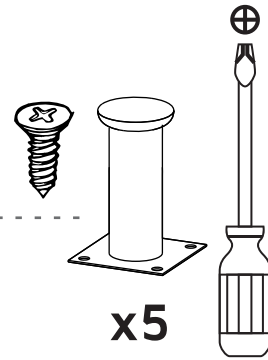
Arrow



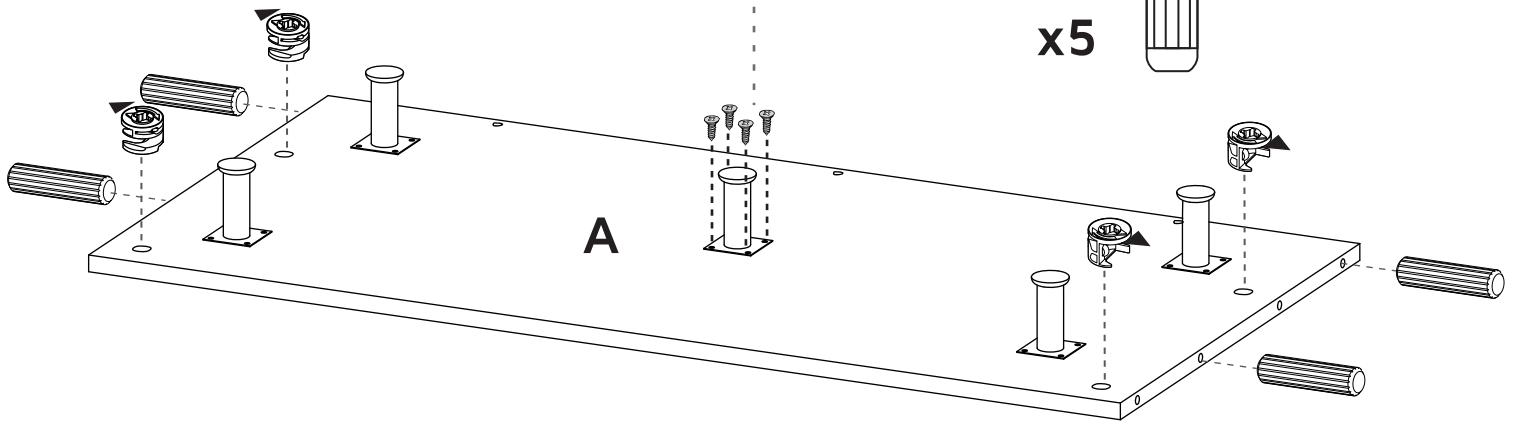
x4



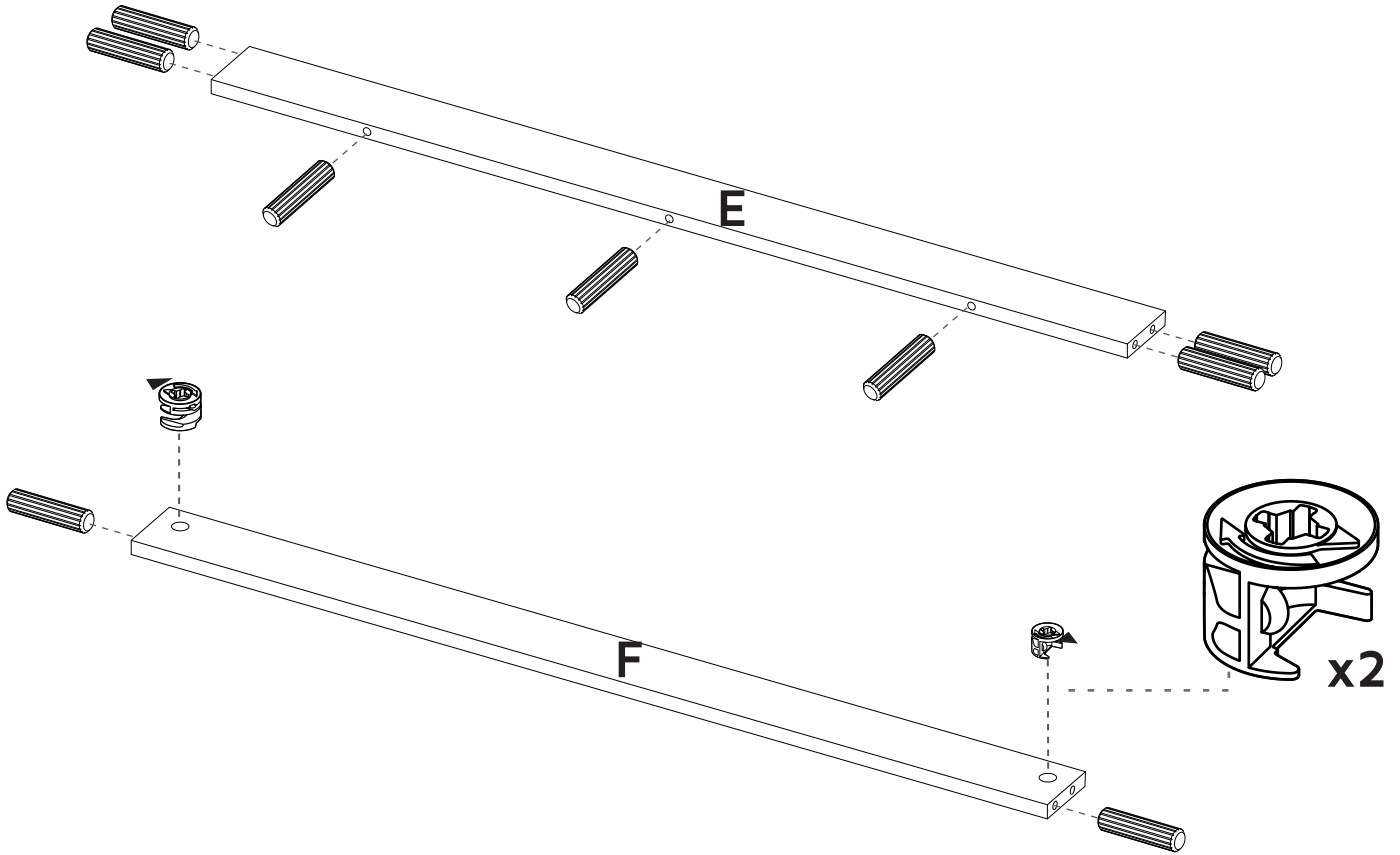
4



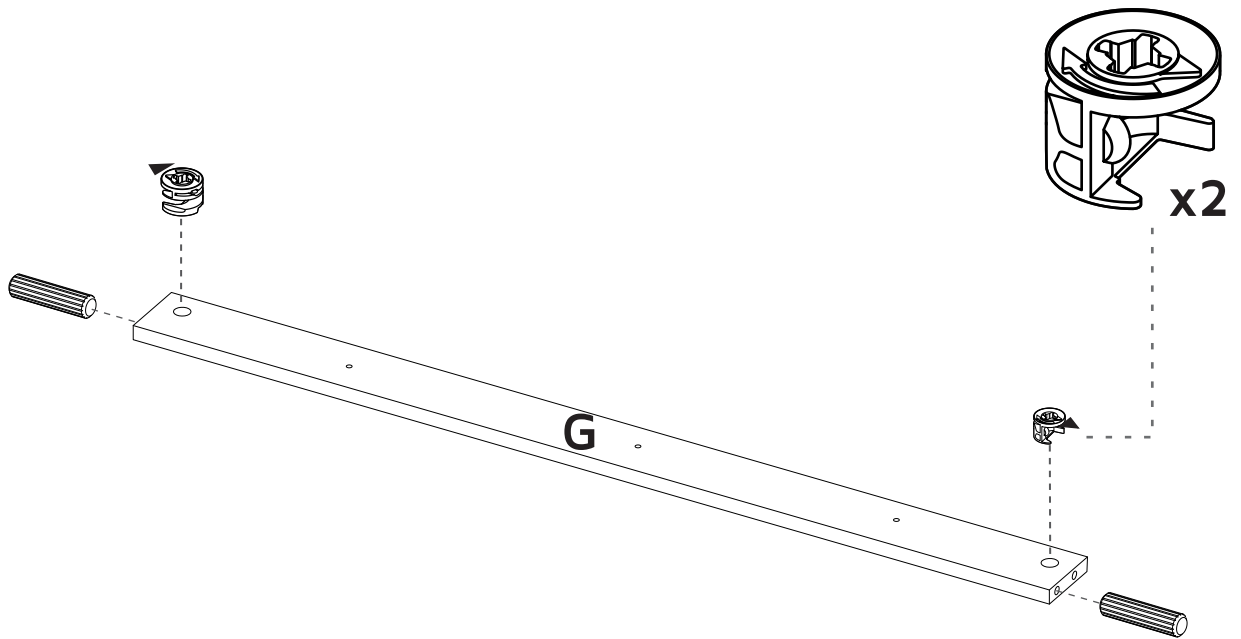
x5



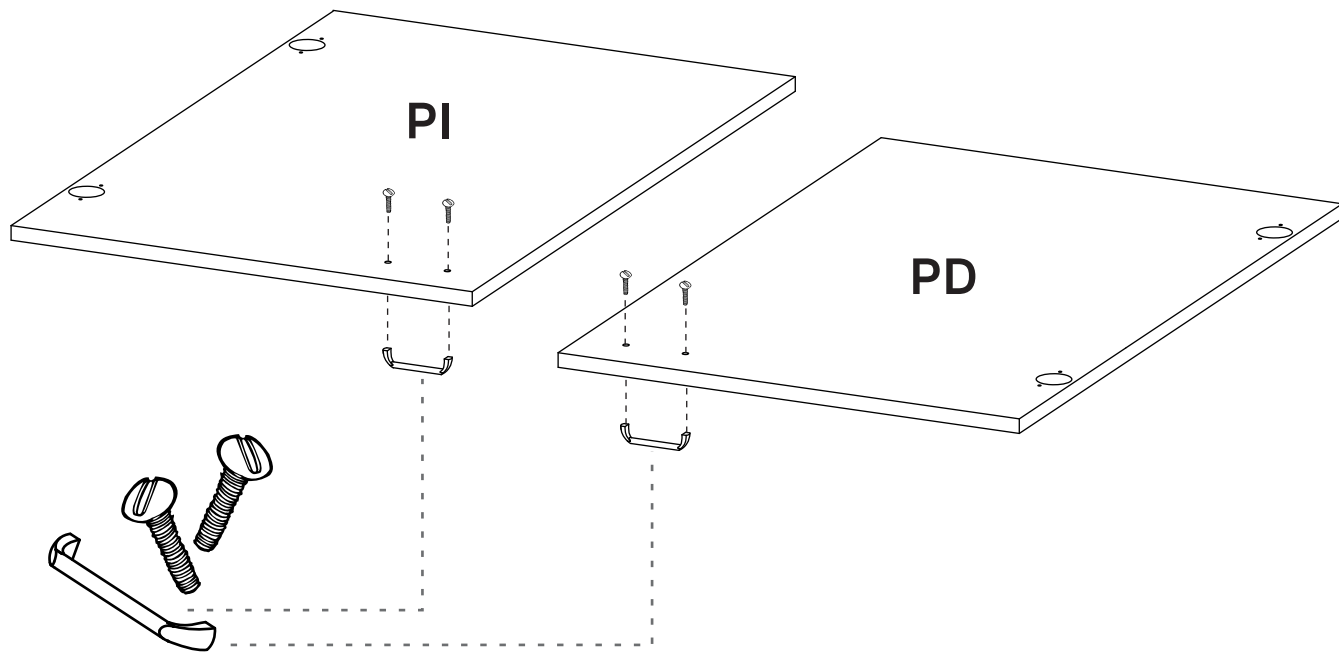
5



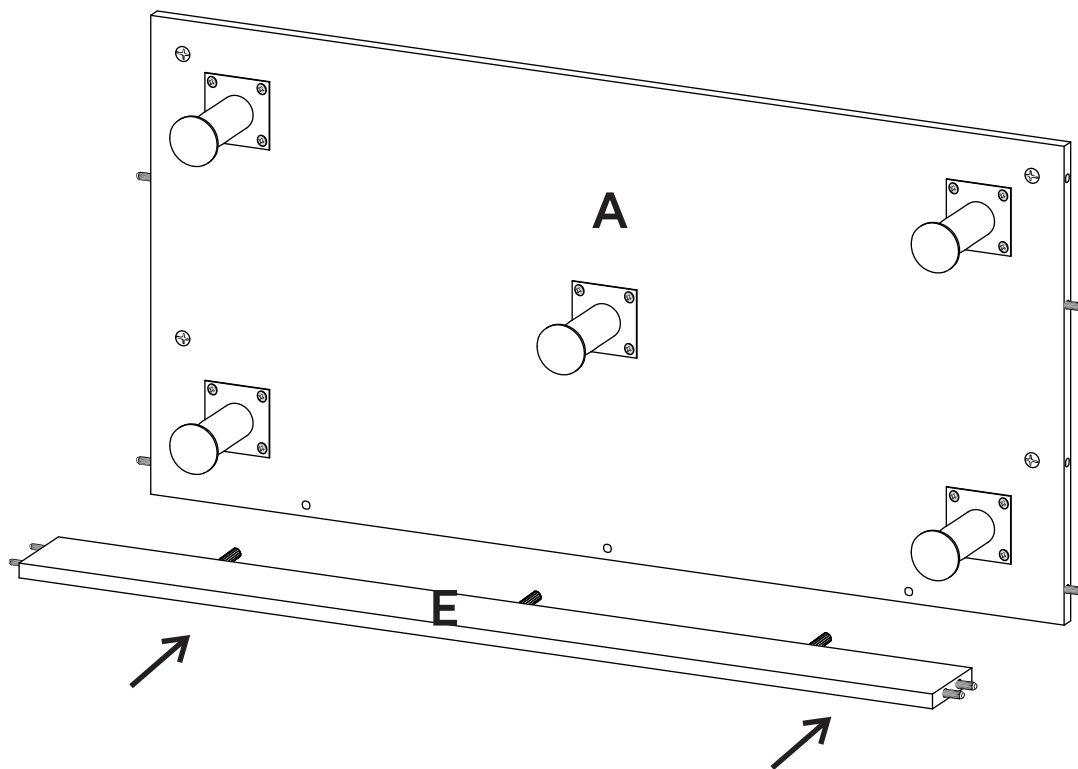
6



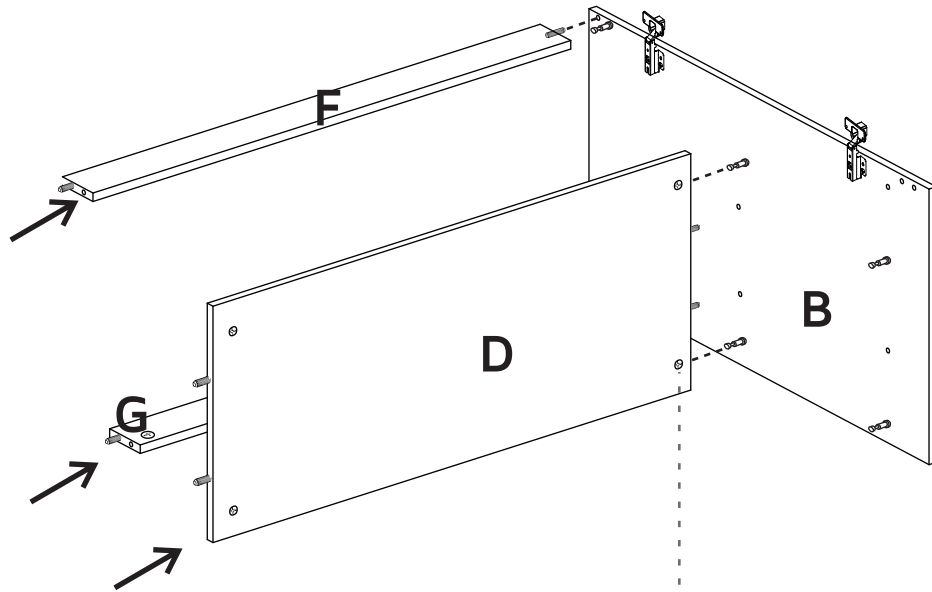
7



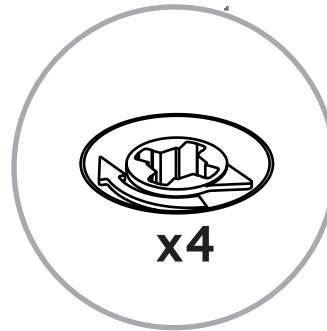
8



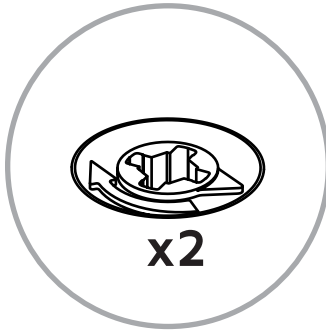
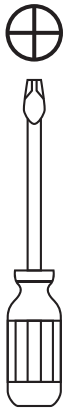
9



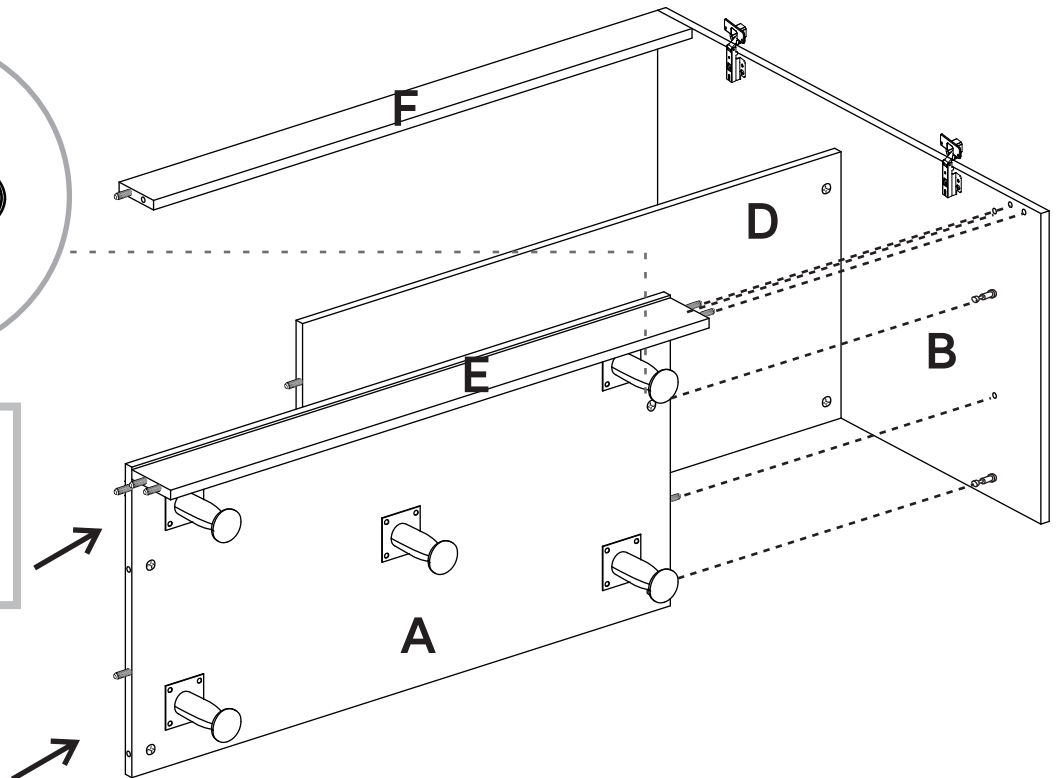
Turn minifix cams to the right to tighten.
Gire las cajas minifix hacia la derecha para apretar las piezas.



10

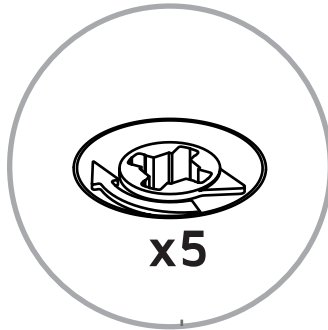
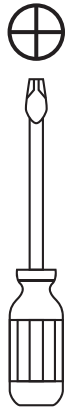


Turn minifix cams to the right to tighten.
Gire las cajas minifix hacia la derecha para apretar las piezas.



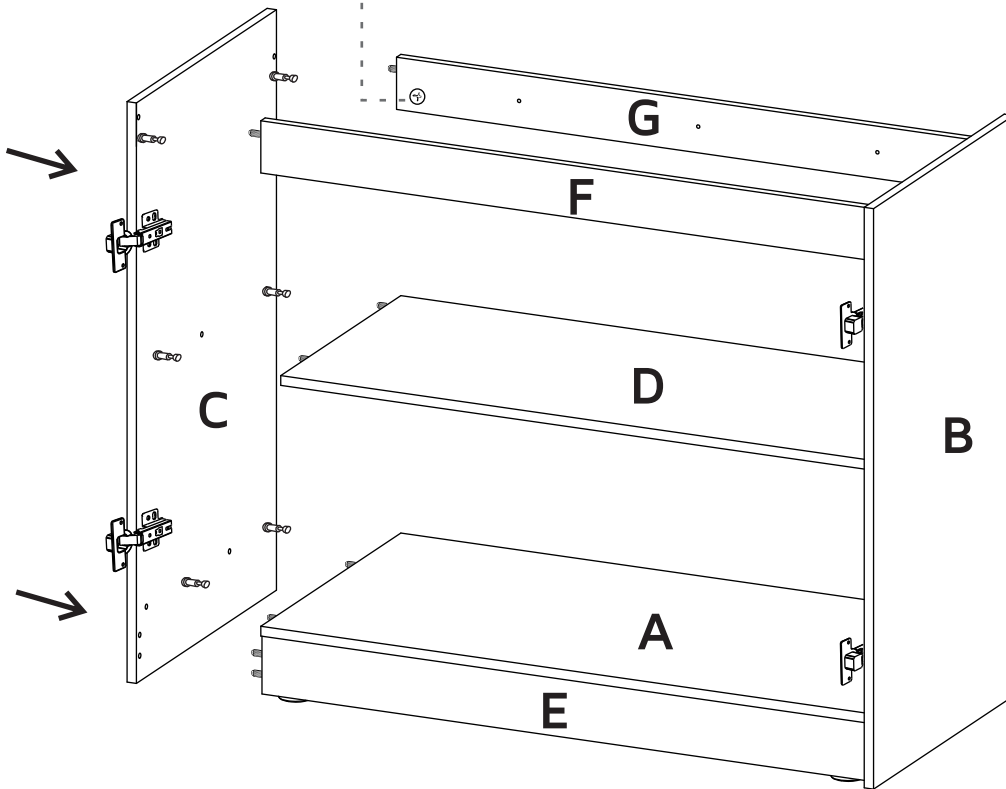
11

Be careful turning over the cabinet.
Tenga cuidado al voltear el mueble.



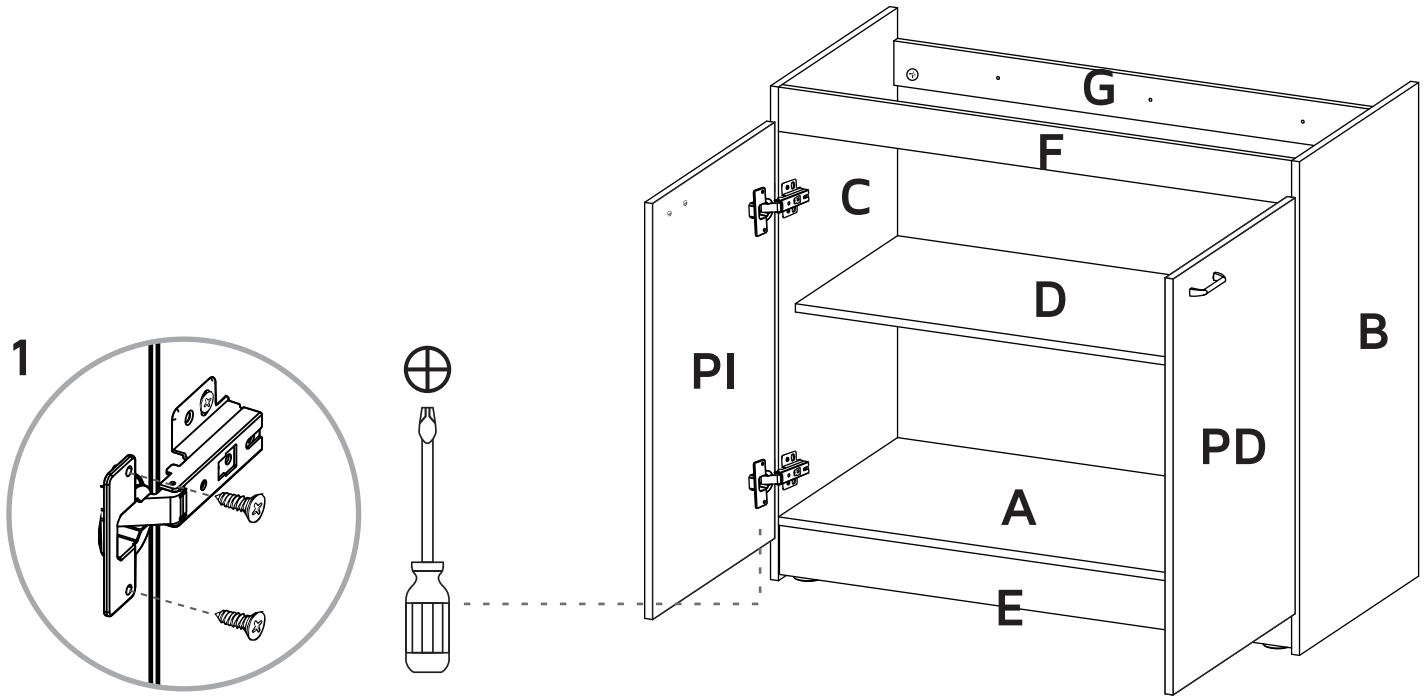
Turn minifix cams to
the right to tighten.

Gire las cajas minifix
hacia la derecha para
apretar las piezas.



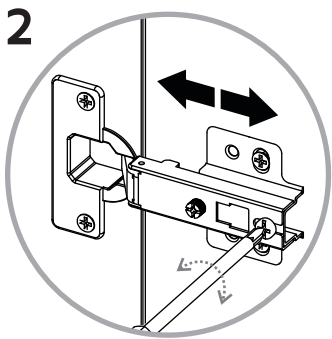
12 Door Installation

Instalación de las Puertas

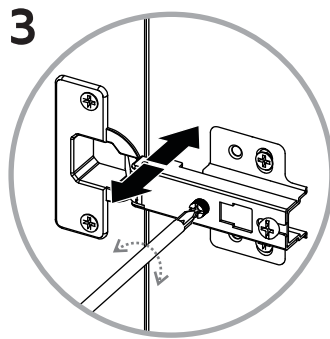


Hinge adjustment

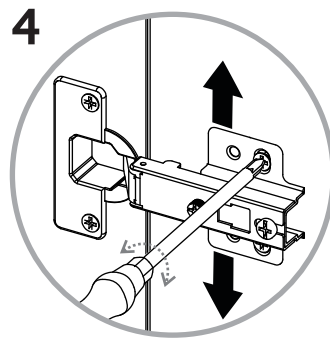
Ajuste de las bisagras



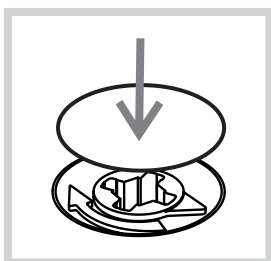
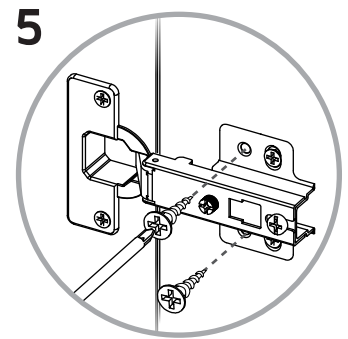
Depth adjustment
Ajuste de profundidad



Side adjustment
Ajuste lateral

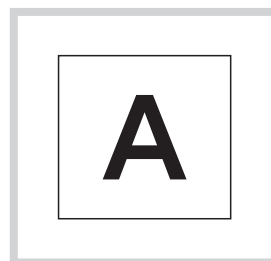


Height adjustment
Ajuste de altura



After you finish the adjustment of the cams, cover them with the cover caps.

Después de ajustar todas las cajas minifix, cúbralas con las tapas adhesivas.



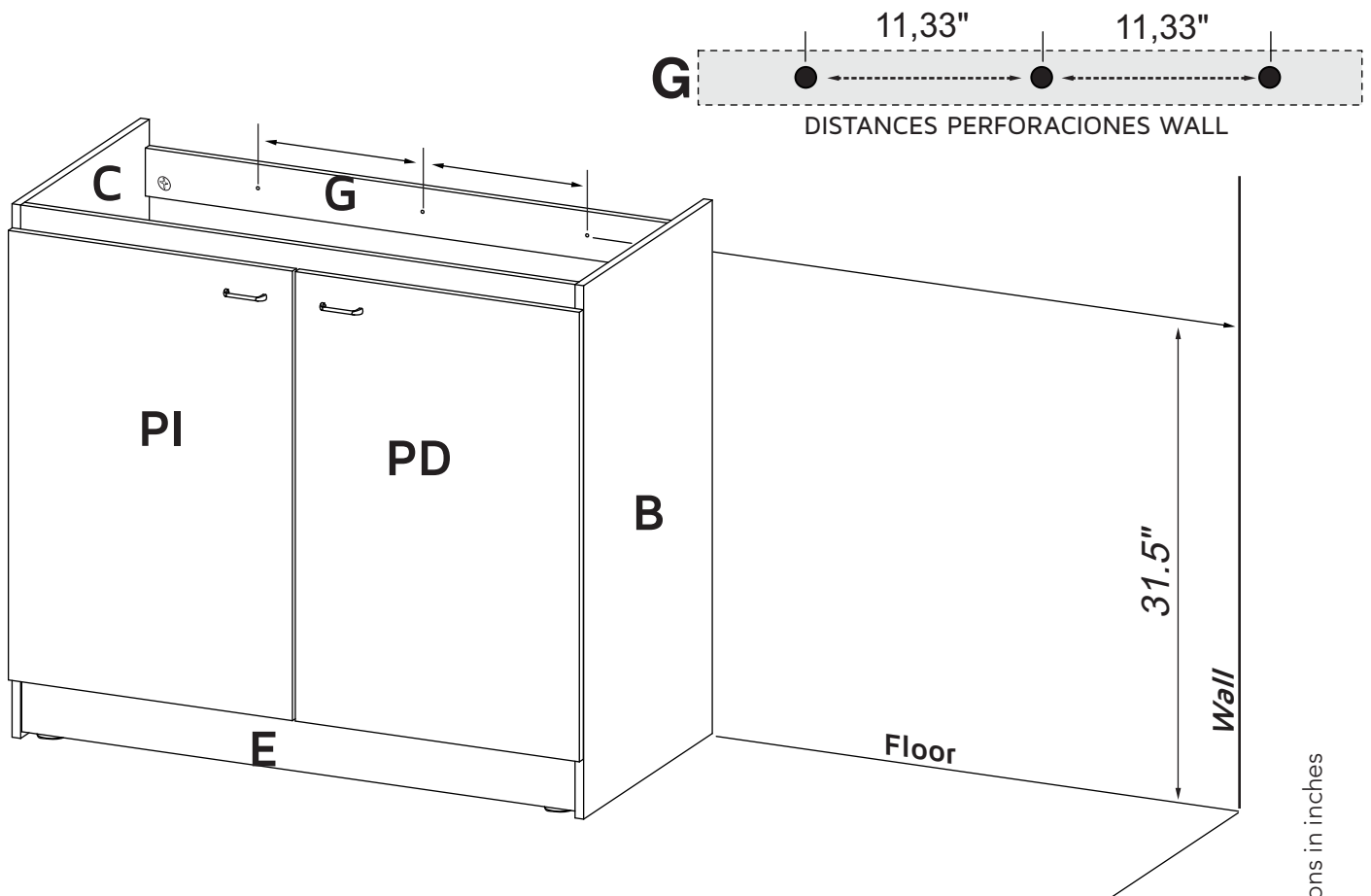
After you finish assembling the cabinet, take off the adhesive letters.

Al terminar de armar, desprenda las letras adhesivas.

13

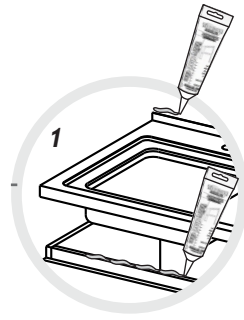
Fixing the cabinet to the wall Instalación del mueble a la pared

- 1 On the wall, measure and mark the points shown below / En la pared, mide y marca los puntos que te indicamos abajo.
- 2 Drill on the markings with a 5/16" drill bit / Debes perforar en los puntos con taladro y una broca de 5/16".
- 3 Insert the wall anchors inside the drillings / Inserta los chazos plásticos en las perforaciones.
- 4 Place the cabinet and secure it with the screws / Ubica el mueble y asegúralo con los tornillos.



*Dimensions in inches

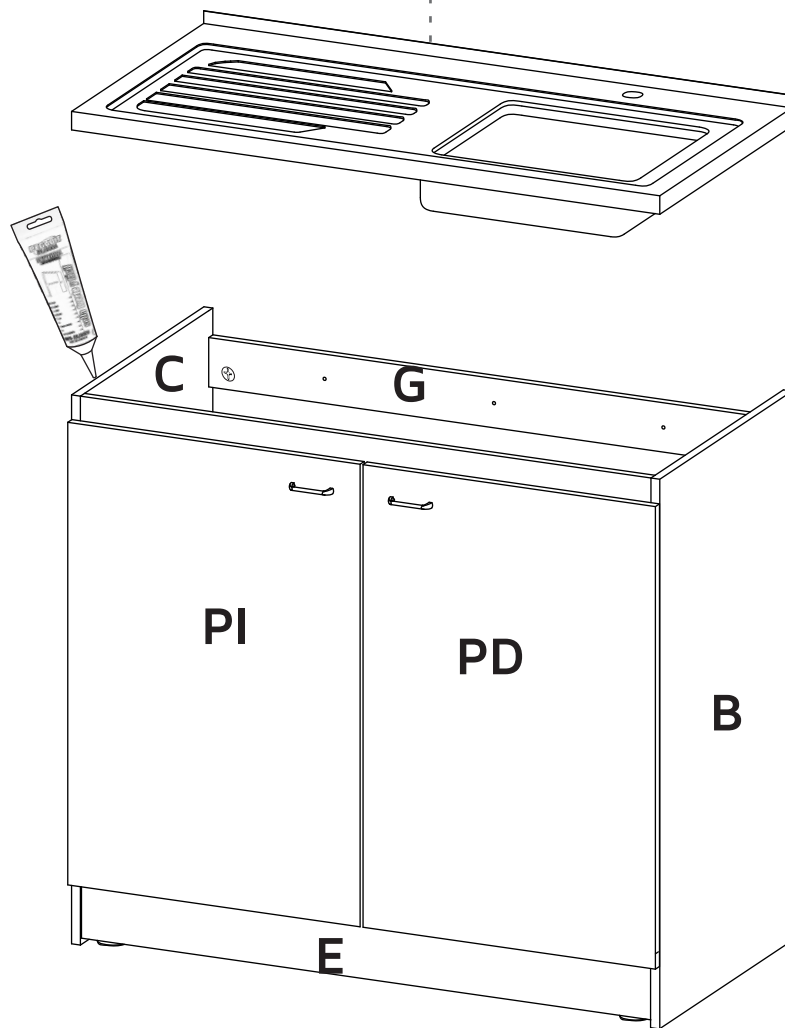
1. Apply a thick cord of silicone through the borders of the cabinet and at the union with the wall (Silicone not included)



1. Aplicar un cordón grueso de silicona en todos los bordes del mesón y luego en la unión del mesón con la pared para sellar y brindar protección (SILICONA NO INCLUIDA).

2. Place the countertop over the cabinet.

2. Descargar el mesón sobre el mueble.



WARRANTY POLICY

PÓLIZA DE GARANTÍA

Furniture has a 1 year warranty coverage in wooden parts and hardware pieces since its manufacturing date, which you can see in the lot number printed on the product box and the assembly instructions leaflet.

Warranty covers materials and workmanship imperfections which impair the assembly or correct functioning of the cabinet.

This warranty is not valid if the defects or imperfections are caused by the incorrect following of the assembly instructions, warnings and recommendations, misuse, intentional damage, fire or flood, or after modifications or any kind of alteration, or repaired by someone not authorized, when it's been assembled 3 months after the date of purchase. These defects **MUST** be reported before the warranty coverage period ends. Once the product has been assembled, the company will not be responsible for defective and/or damaged parts.

This warranty is **ONLY** valid for the **ORIGINAL PURCHASER**, it doesn't apply if the product has been resold, rented, etc.

Furniture will take no liability for incidental or consequential damages caused to or by the product (This may not apply in your state).

To make this warranty valid you must write to our customer service email describing the product defect, lot number and submitting your sales receipt or proof of purchase, or contact us at our customer service line. Replaced parts will be under the product's original warranty coverage period. Damaged parts will become property of the company.

There are no other warranties applicable to this product.