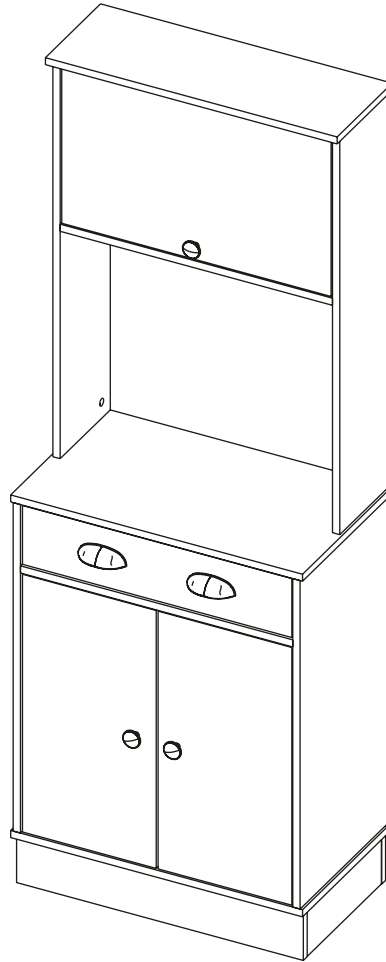


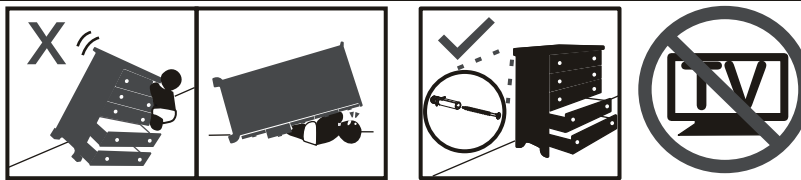
# ASSEMBLY INSTRUCTIONS

## KITCHEN PANTRY



**THIS FURNITURE MUST BE FIXED TO THE WALL**

**⚠ WARNING**



Children have died from furniture tip over. To reduce the risk of tip over:

- ALWAYS secure this furniture to the wall using a wall anchor.
- NEVER allow children to stand, climb, or hang on drawers, doors or shelves.
- Do not defeat or remove the drawer interlock system.
- Place heaviest items in the lowest drawers.
- NEVER put a TV on this furniture.

To ensure the safety of those using this cabinet, it is crucial to properly secure it to the wall using a wall anchor. This product includes the necessary items for fixing the furniture to the wall. However, it is important to note that incorrect installation or failure to use the tip-over device can result in serious injury or even death.

For this reason, we highly recommend that a professional installer handle the installation of the cabinet to the wall.

# Index

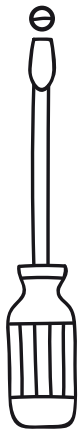
What will you need?	2
Where should you start?	3
What's in the hardware bag?	4-5
How do the dowels and Minifix system work? (We also explain what they are)	6
Let's start assembling!	7
How much weight does your cabinet resist?	23
Our last recommendations for taking care of your cabinet	24

## What will you need?

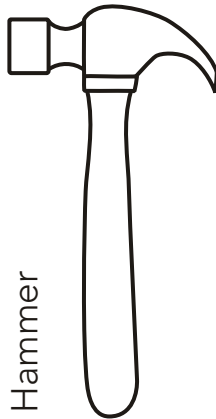
Phillips head screwdriver



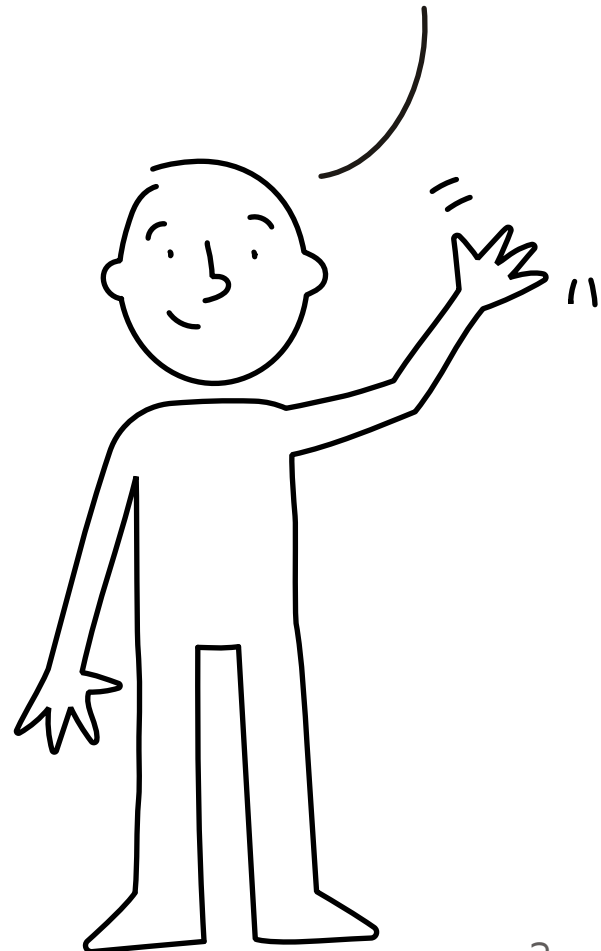
Flat head screwdriver



Hammer



Hi! my name is Armando, and I'll be with you while you assemble this cabinet.



A flat, smooth surface. You can use the cardboard of the box or a rug.



An electric screwdriver isn't necessary, but it can make the work much easier :)

# Where should you start?

## This is so IMPORTANT!

Over the next few pages is the panel and hardware content for this cabinet.

Please make sure that the quantity of each one is correct, and that everything is in good shape.


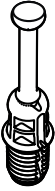



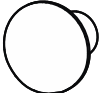

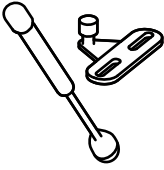


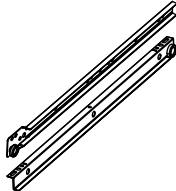
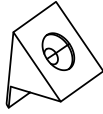
(When the cabinet is already assembled there's no warranty for this)

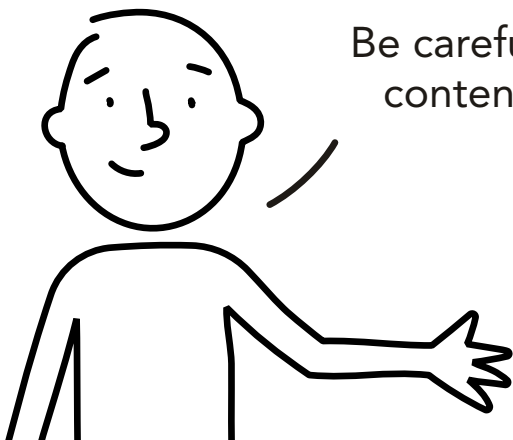


## Panel quantity

A - x1	B - x1	C - x1	D - x1
E - x1	F - x1	G - x1	H - x1
I - x1	J - x1	K - x1	L - x1
M - x1	N - x1	O - x1	P - x1
Q - x1	R - x1	S - x1	T - x2
U - x2	V - x1	W - x1	X - x2

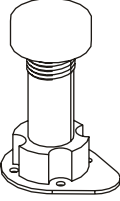
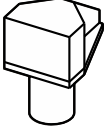
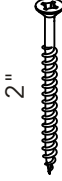



# What's in the hardware bag?

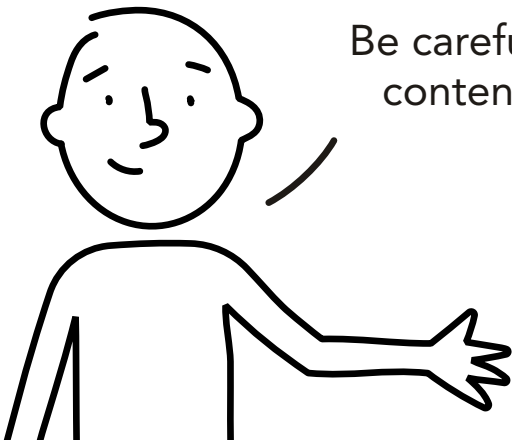
			
Wood dowel x30	Spreading bolt x44	Minifix cam x44	Cover caps x50
			
Inset overlay hinge + screws x6	Knob x3	Handle x2	Pneumatic arm + Screws x1
			
Wall anchor + screw x2	Corners basket x4	Drawer slides + screws x1	Back Panel Support x8



Be careful!, try not to lose anything from this bag, its content is necessary for assembling your cabinet.

# What's in the hardware bag?

 Leg x4	 Shelf support x3	 2" Drywall screw x4	 Handle Screw x7
 3/4" Drywall screw x8	 9/16" Drywall screw x24		

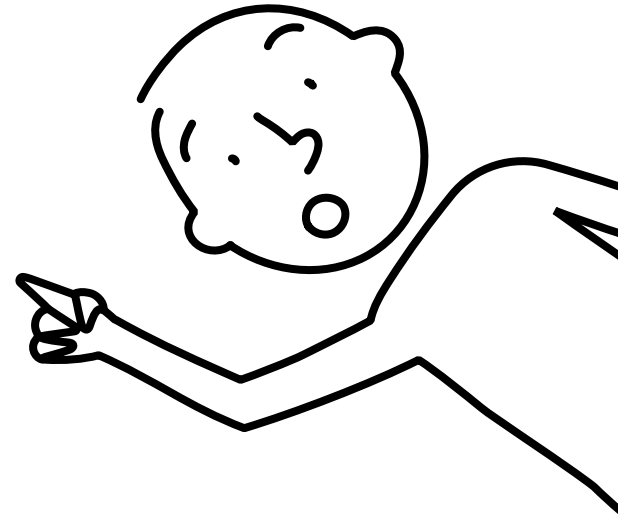


Be careful!, try not to lose anything from this bag, its content is necessary for assembling your cabinet.

# How do the dowels and Minifix system work?

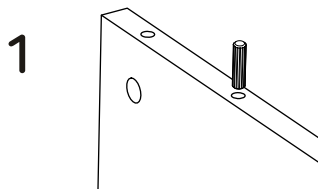
this is so important too!

Everytime you're using one of these connectors during the assembly, you should follow these same steps.

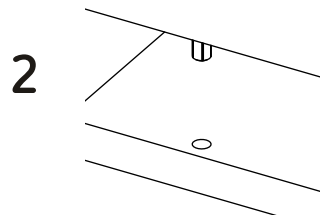


## Wood dowels

They are little wooden cylinders.



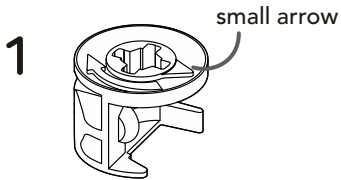
Put in the dowel inside the indicated hole and softly hit it until it's fully inside.



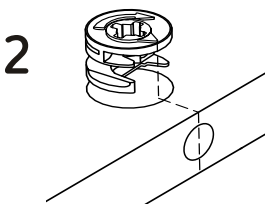
When joining two panels together, don't forget to gently hit the panels to adjust the joint.

## Minifix system

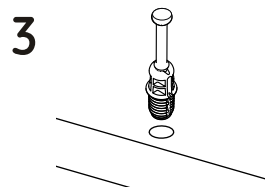
It's a joint compound of two parts: a spreading bolt and a Minifix cam.



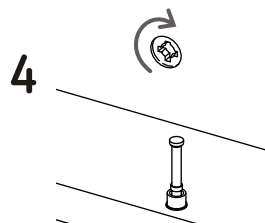
This is a Minifix cam. It has a little arrow on its upper surface.



You should insert these cams with the little arrow pointing towards the drilling on the panel's edge (shown on the left).



This is a spreading bolt. You should put it with the black plastic part facing down.



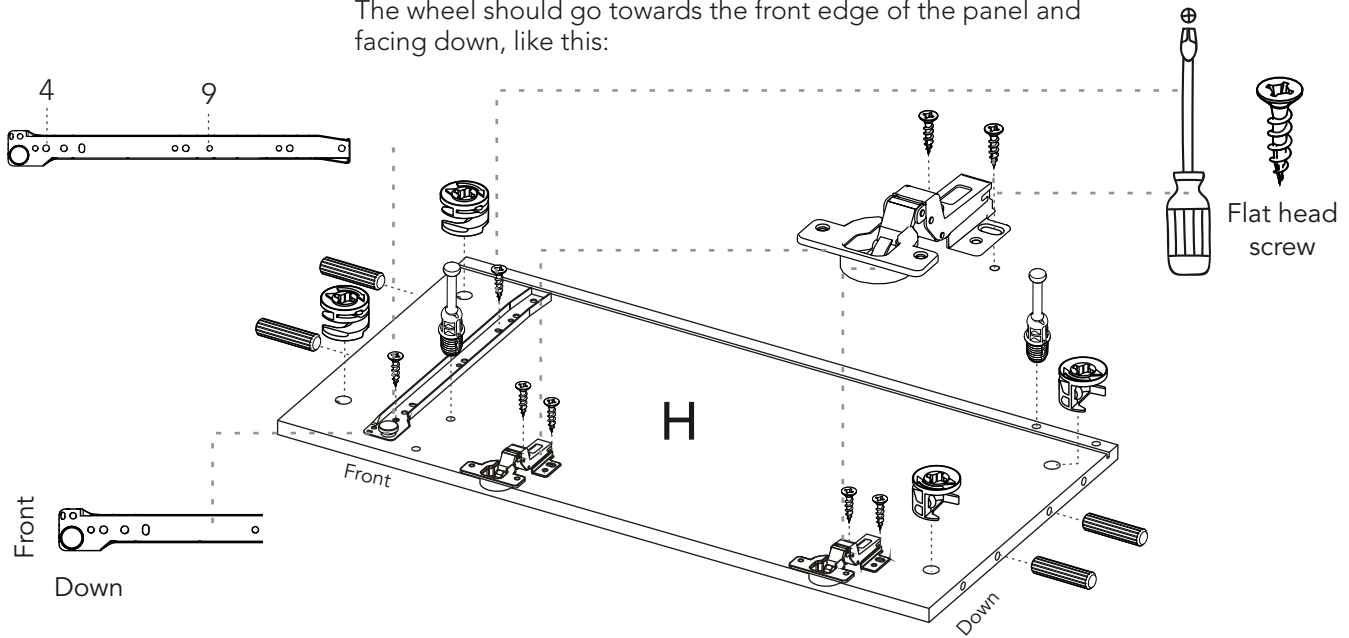
After joining two panels together you should turn the cams 180° with a phillips head screwdriver to adjust and secure the joint.

# 1 Let's start assembling!

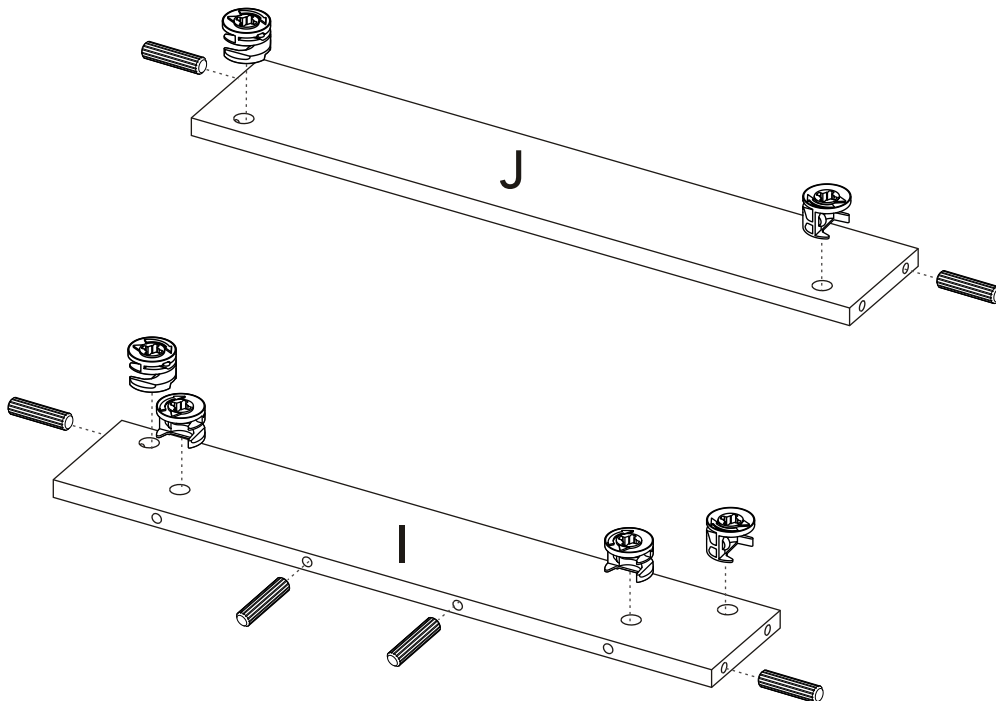
You can see the last page of this manual to have a full look of the panels of this cabinet.

## Drawer slides installation (apply for steps 1 and 4)

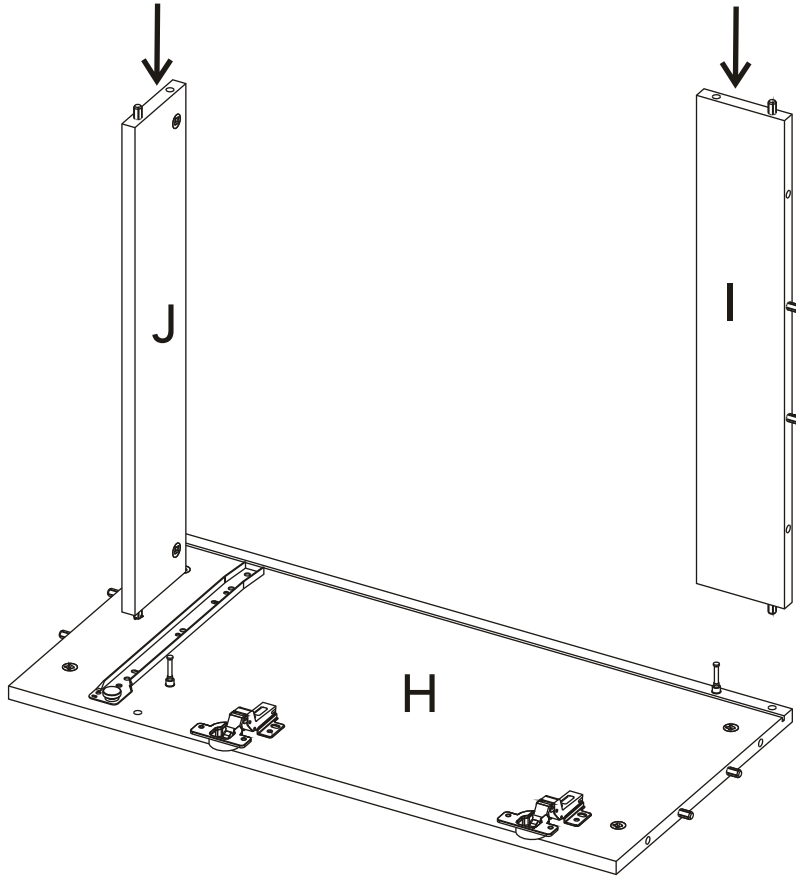
The wheel should go towards the front edge of the panel and facing down, like this:



## 2

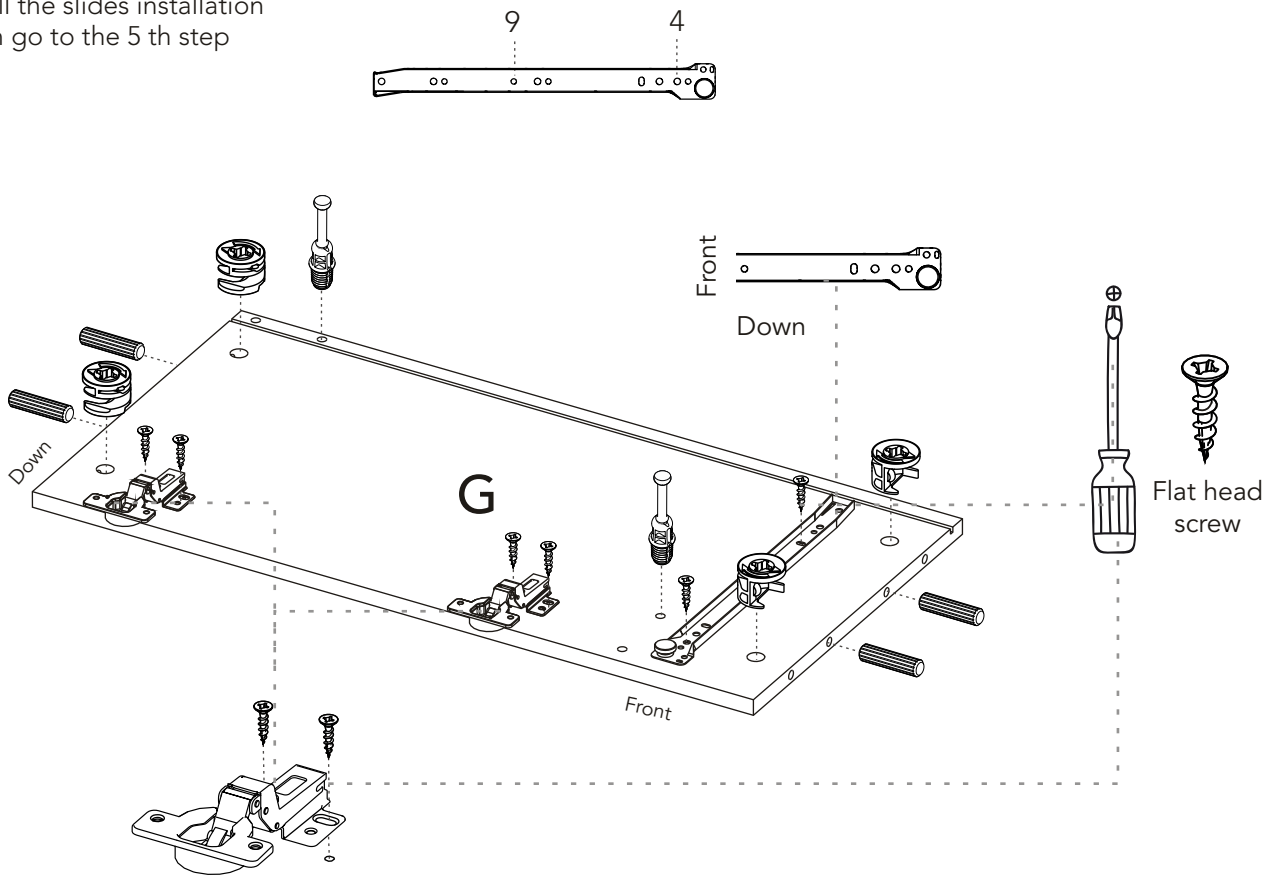


# 3



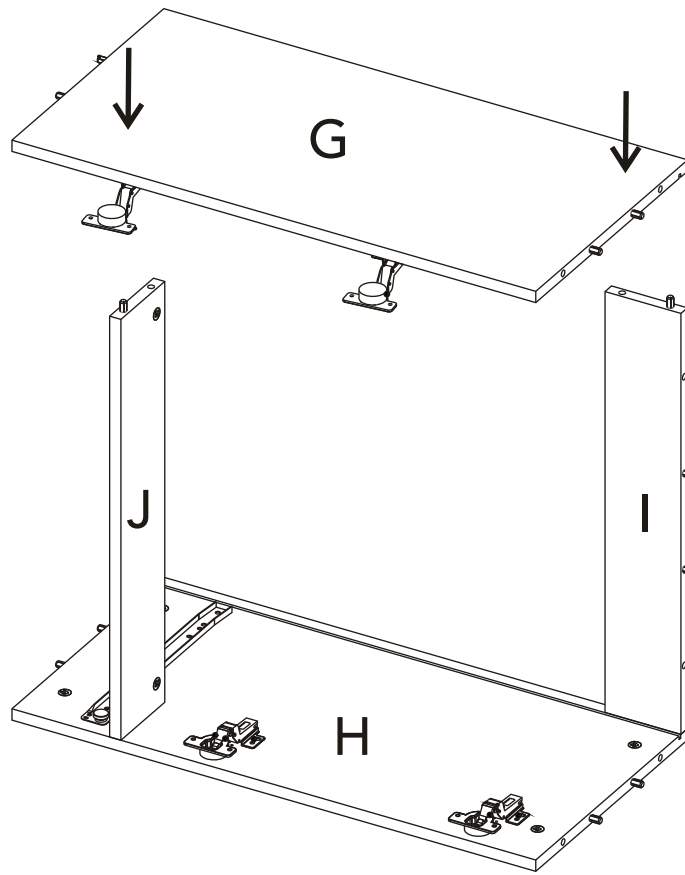
# 4

To recall the slides installation you can go to the 5 th step again.

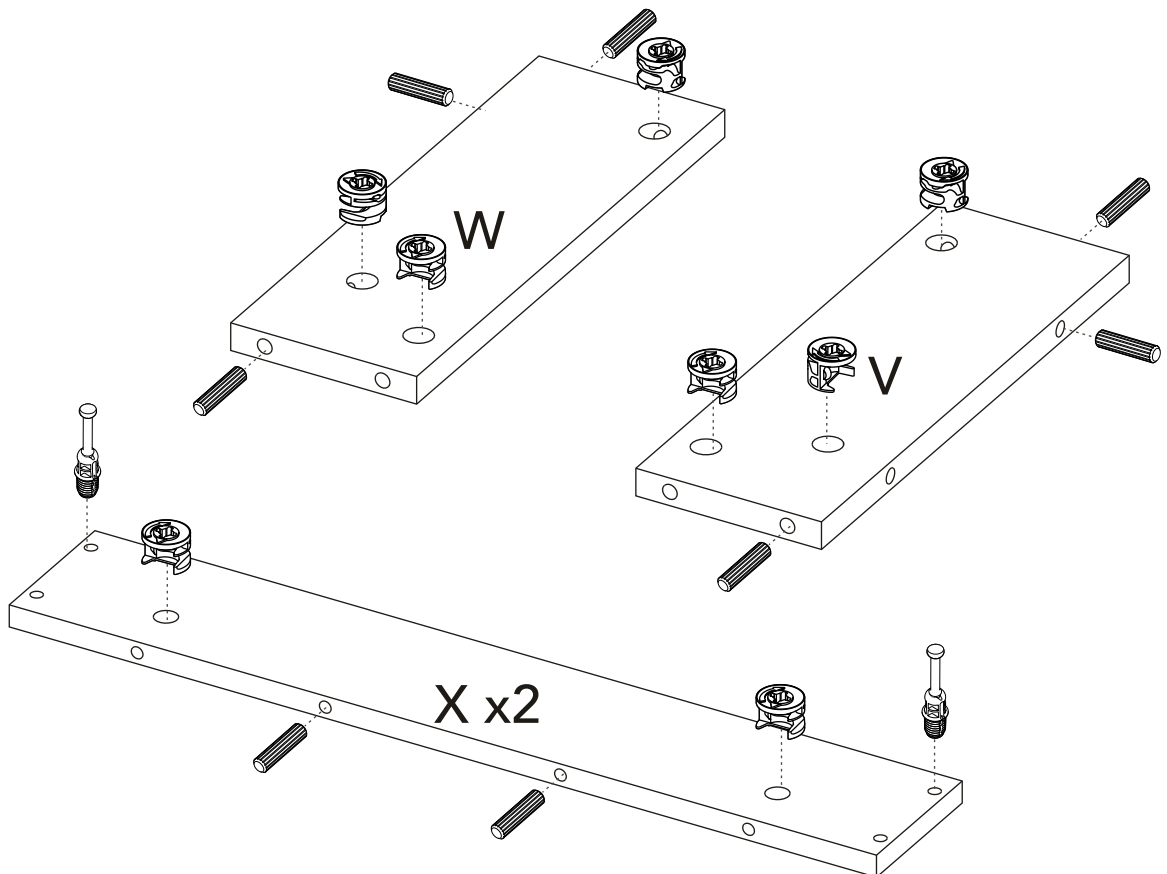




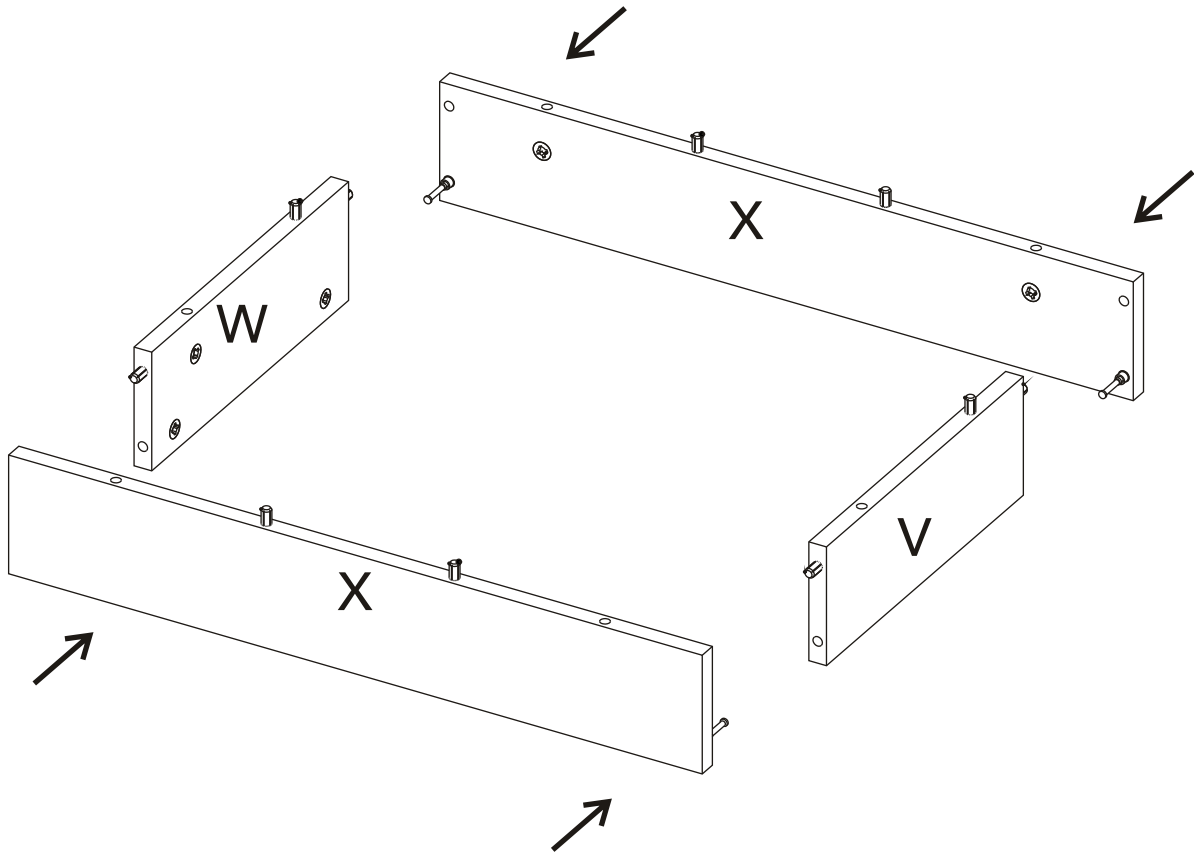
5



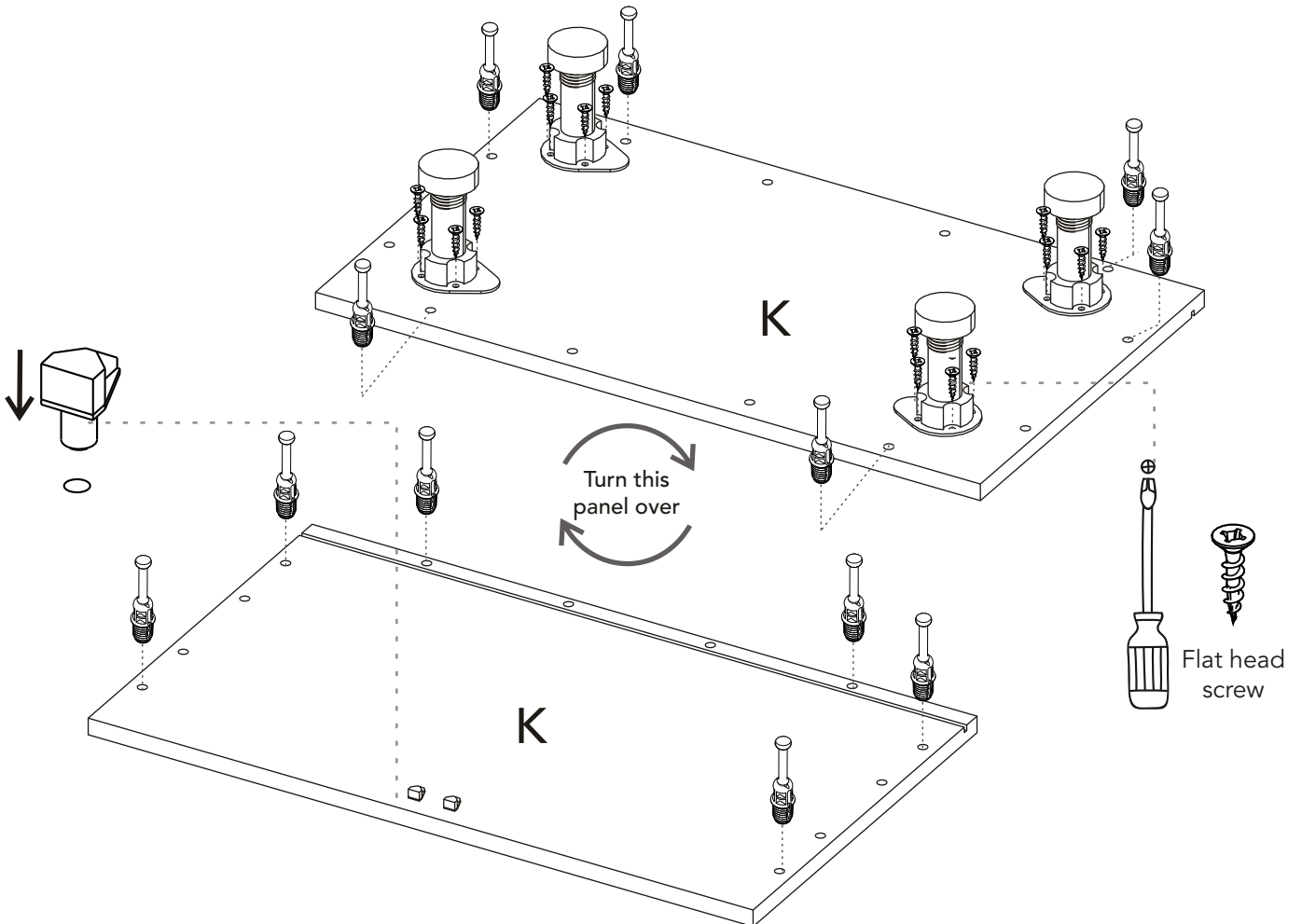
6



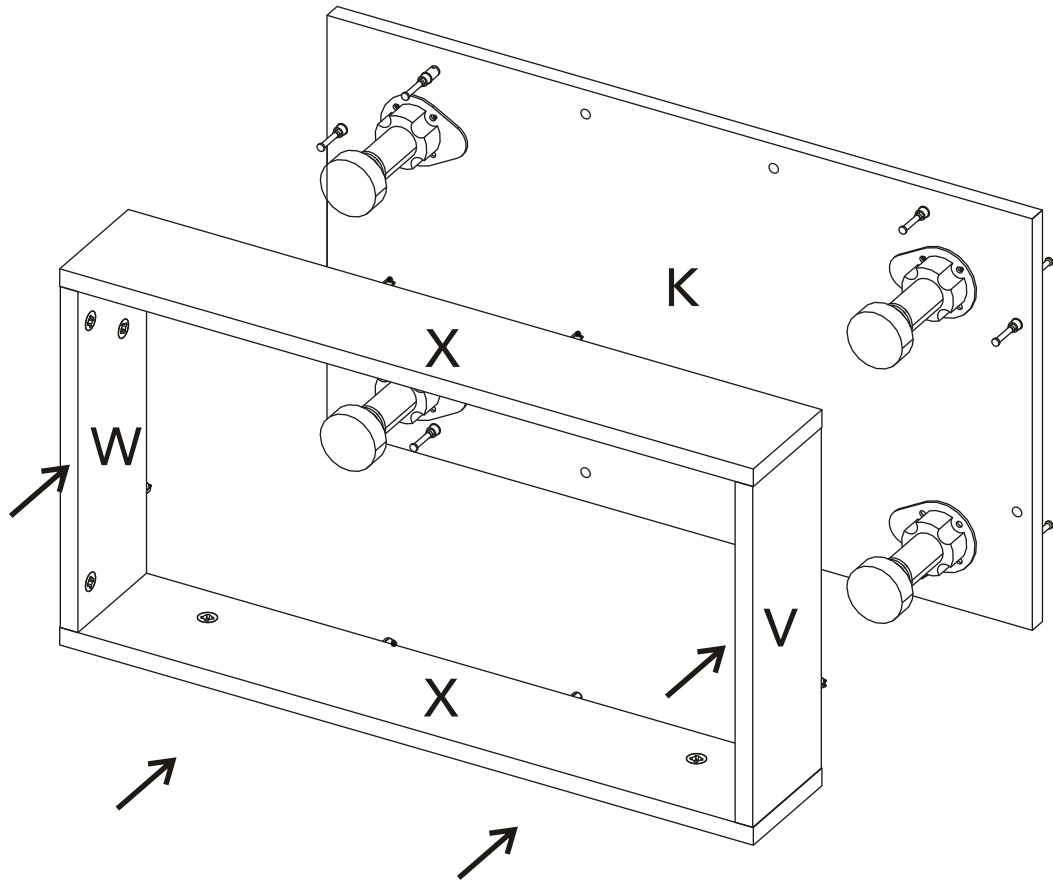
7



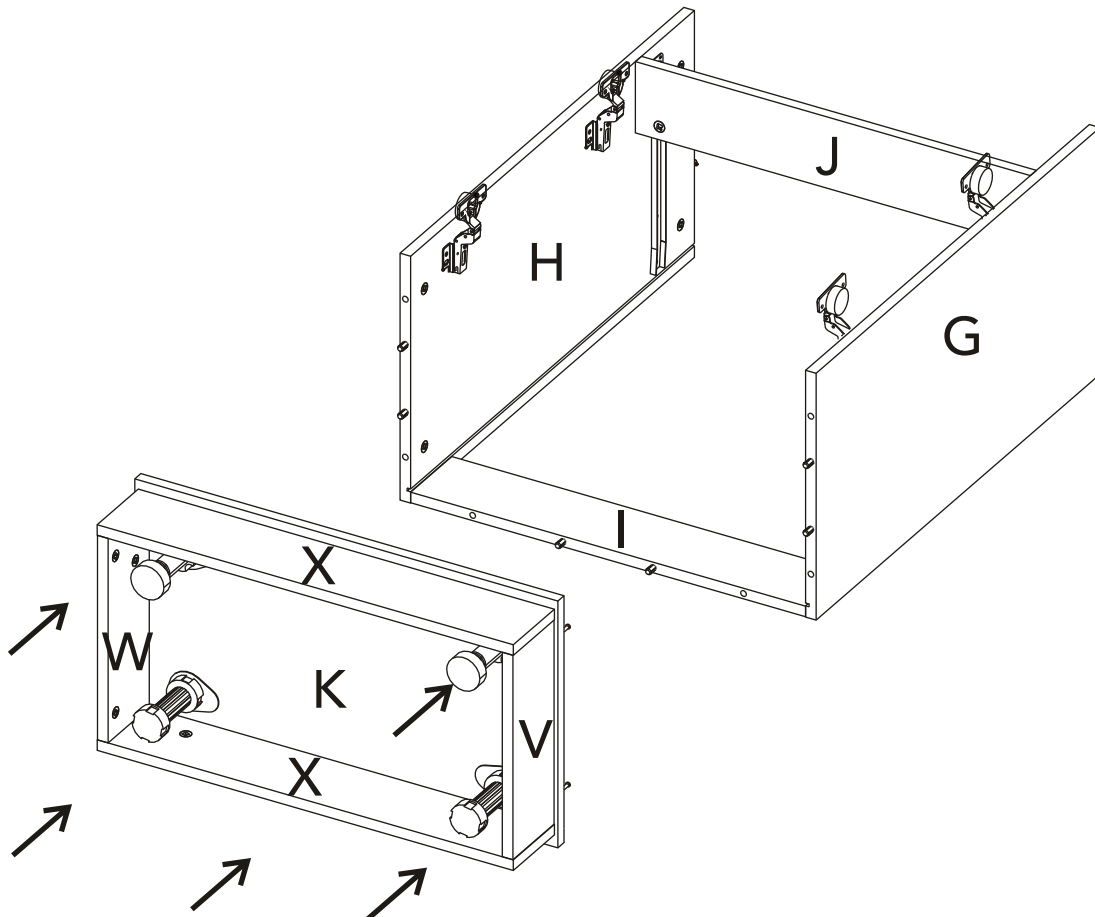
8



9

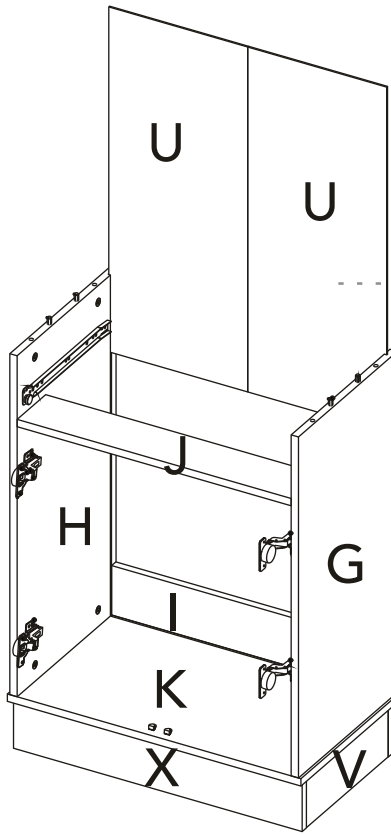


10



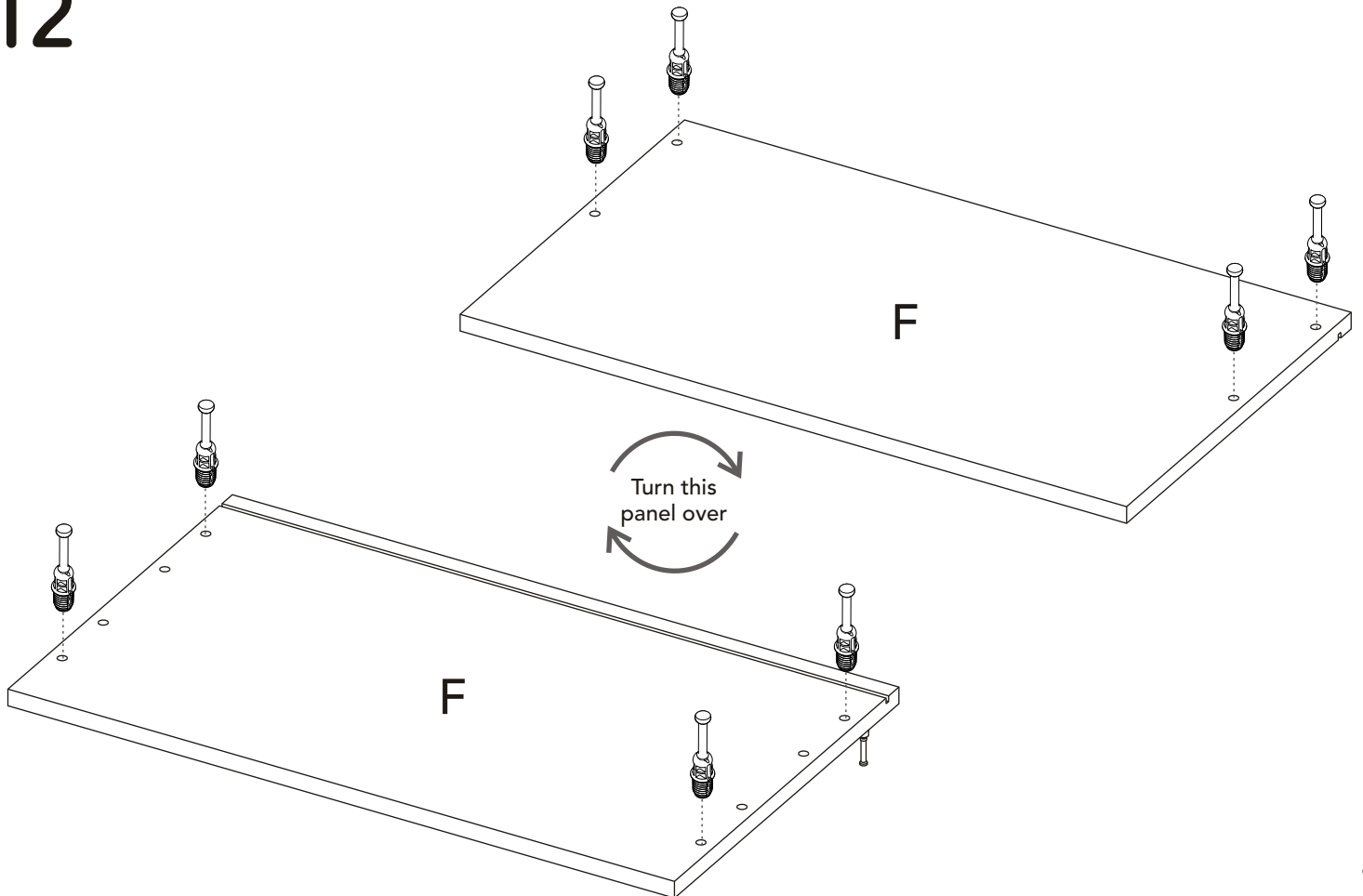
# 11

Turn over the cabinet  
very carefully!

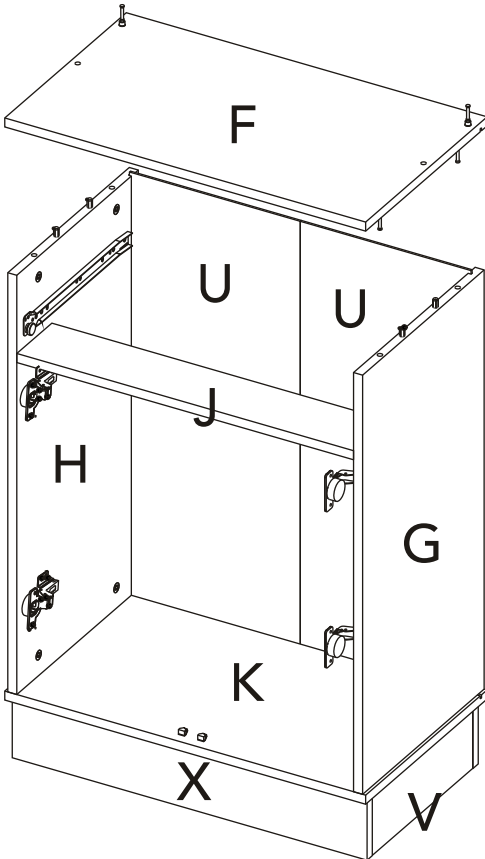


Slide the back panel  
inside the grooves.

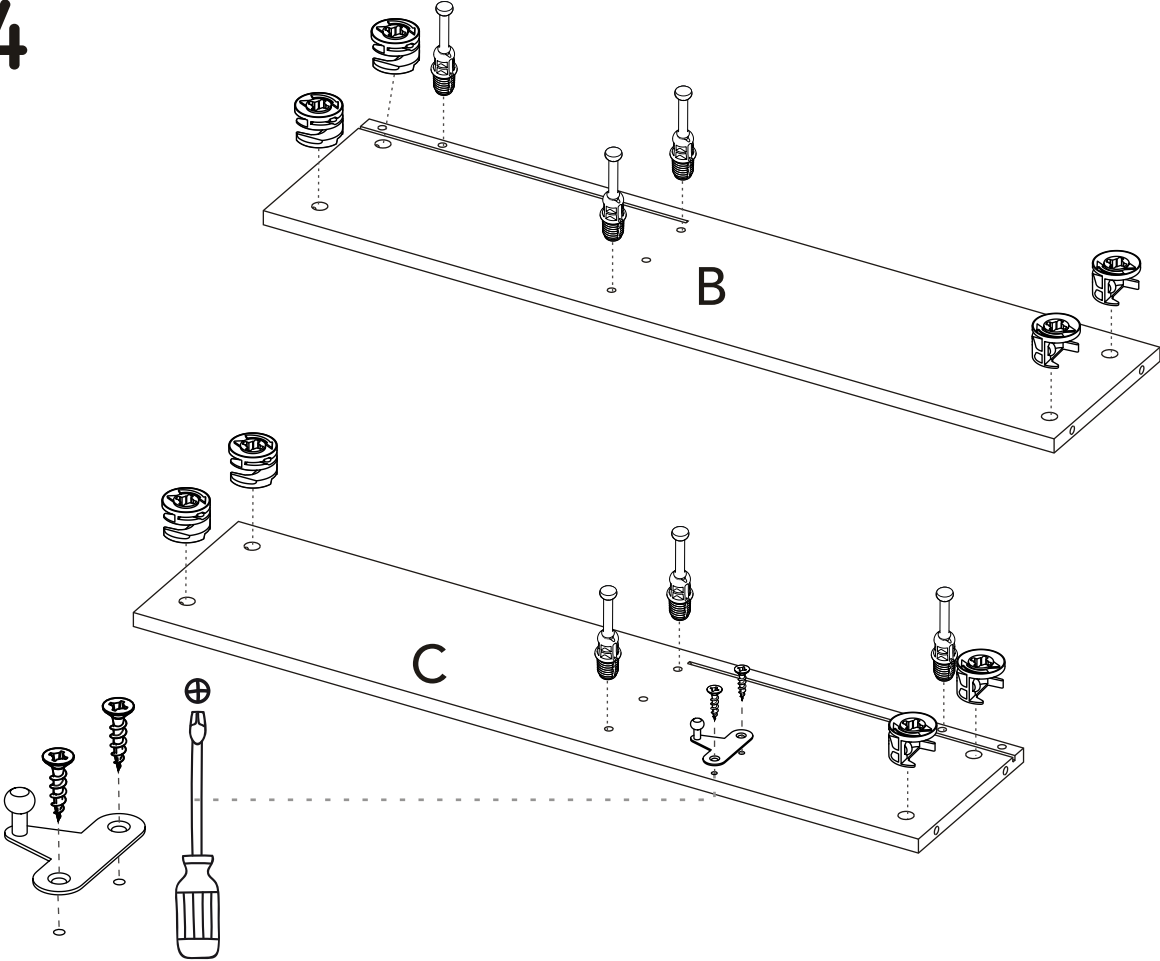
# 12



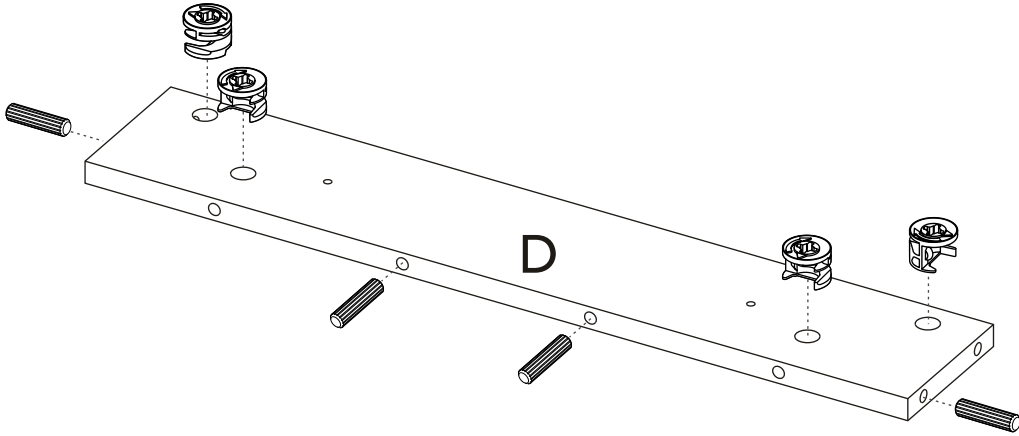
13



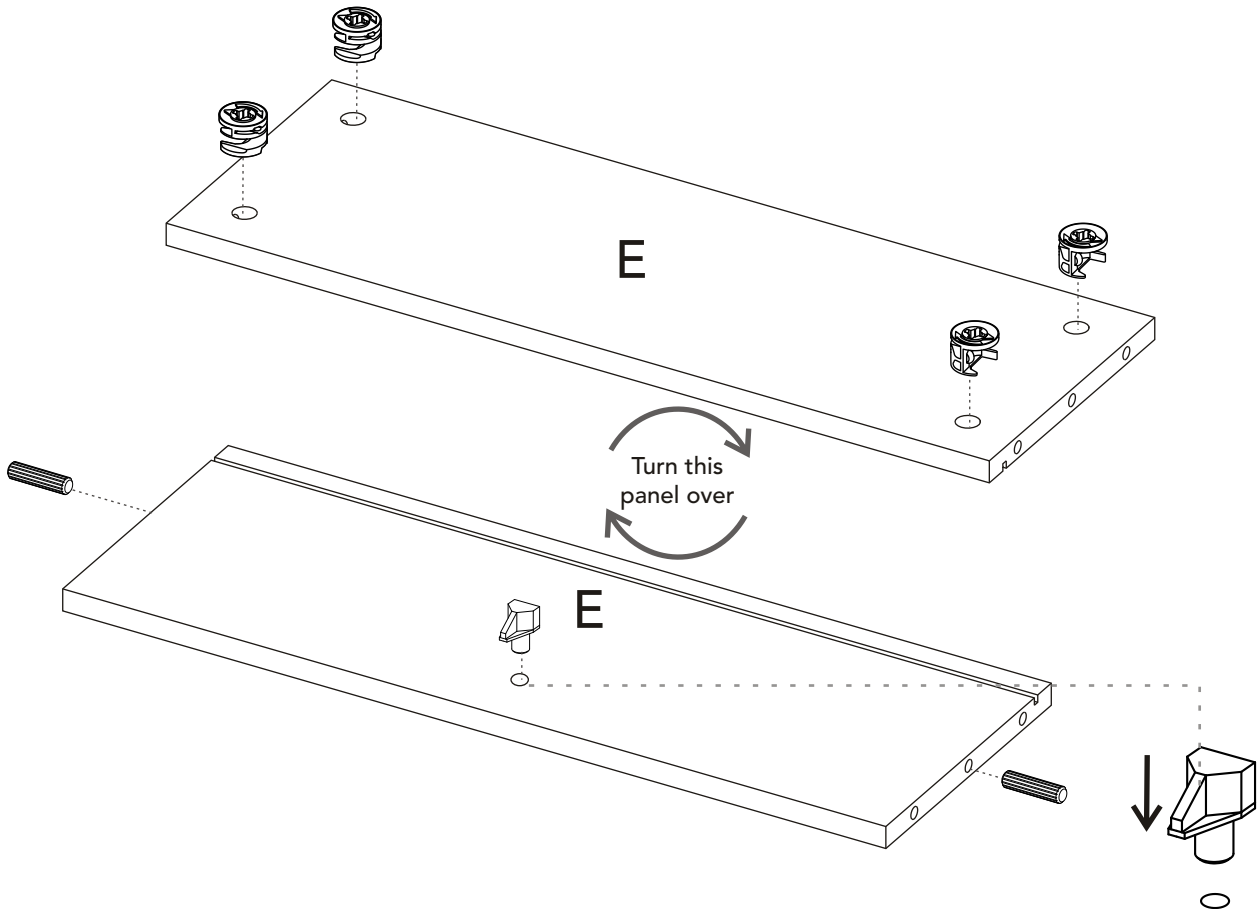
14



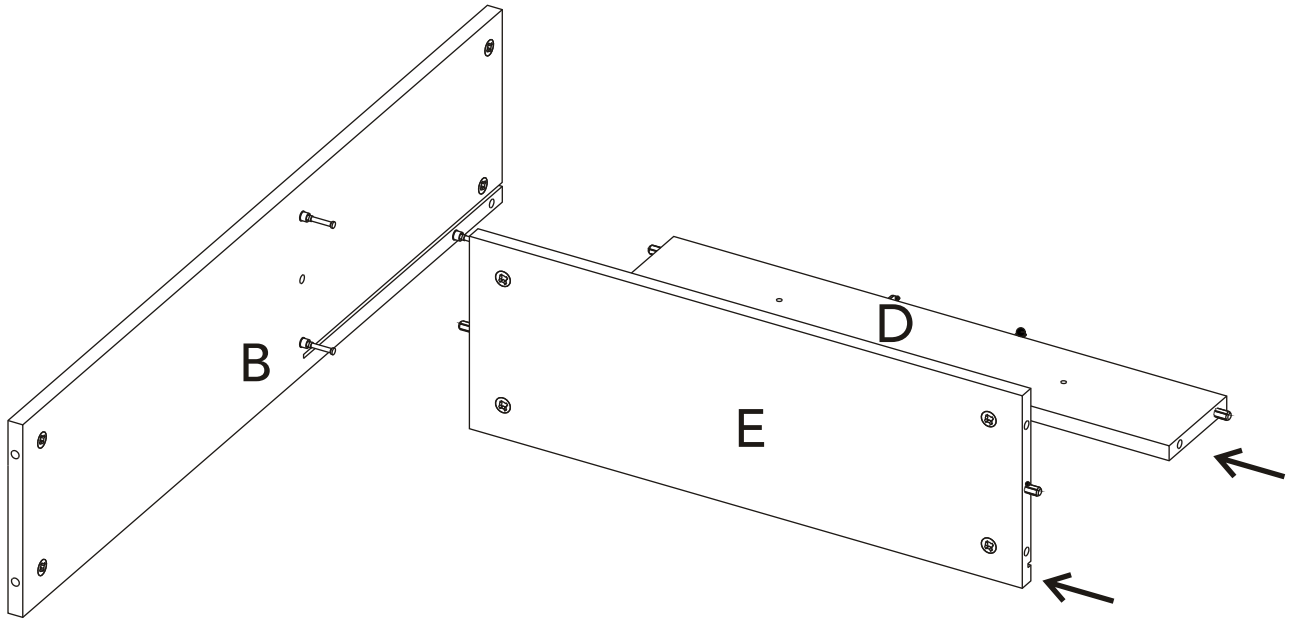
15



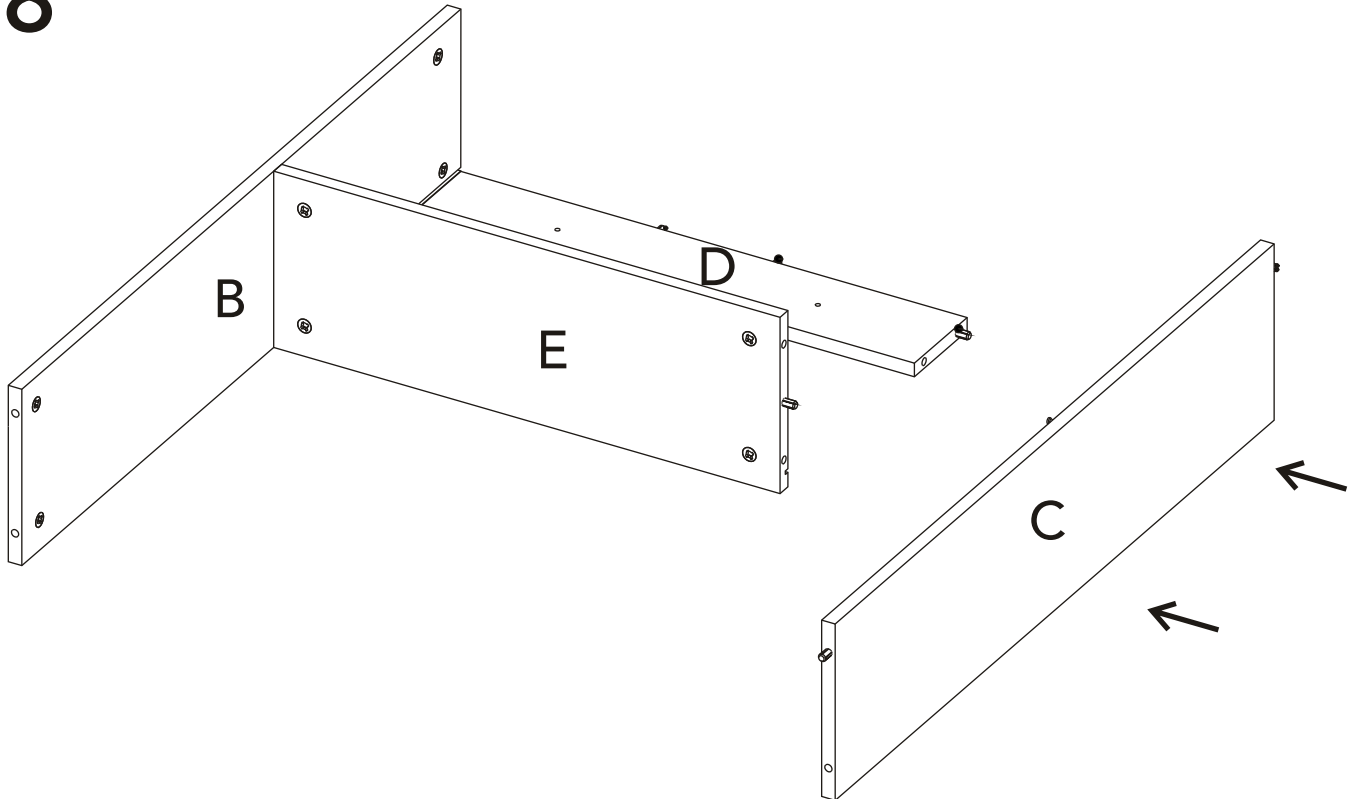
16



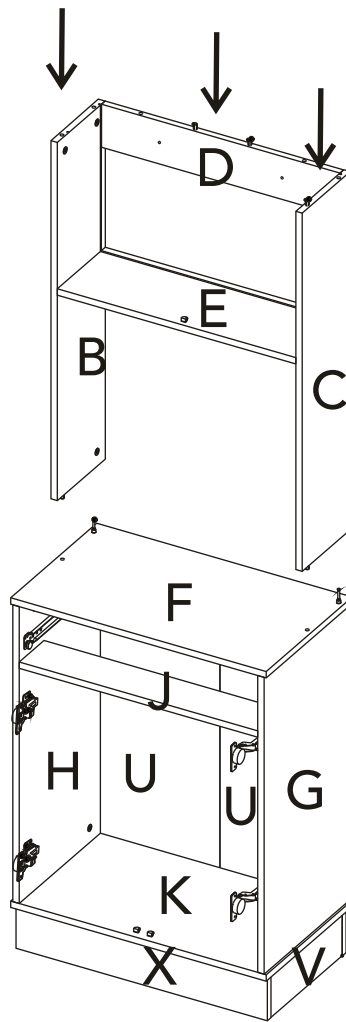
17



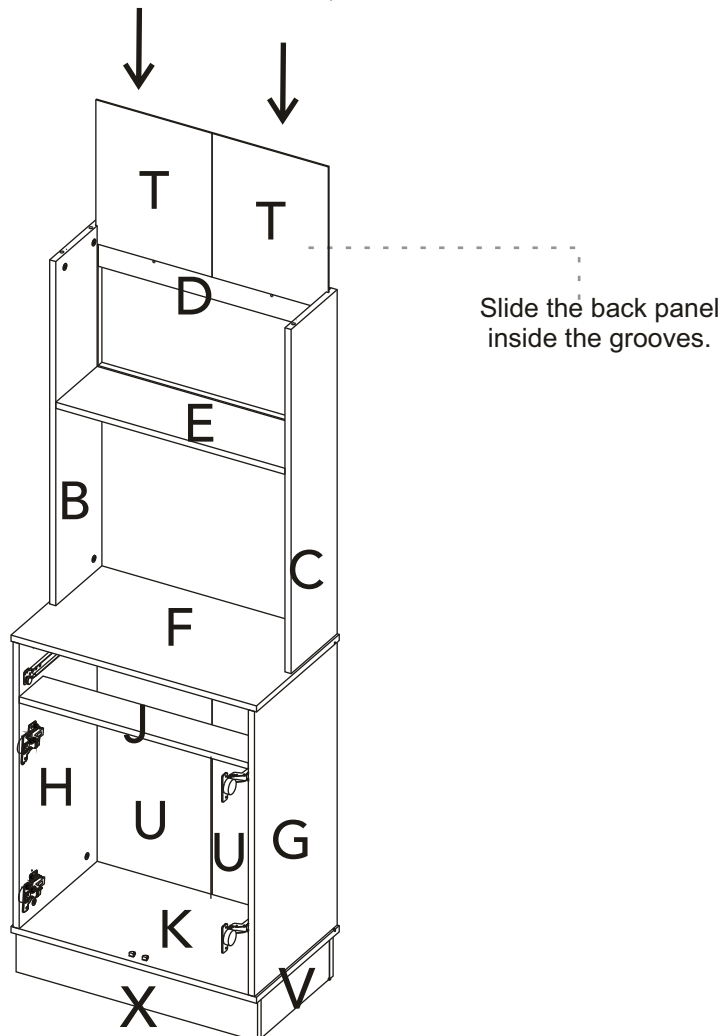
18



19

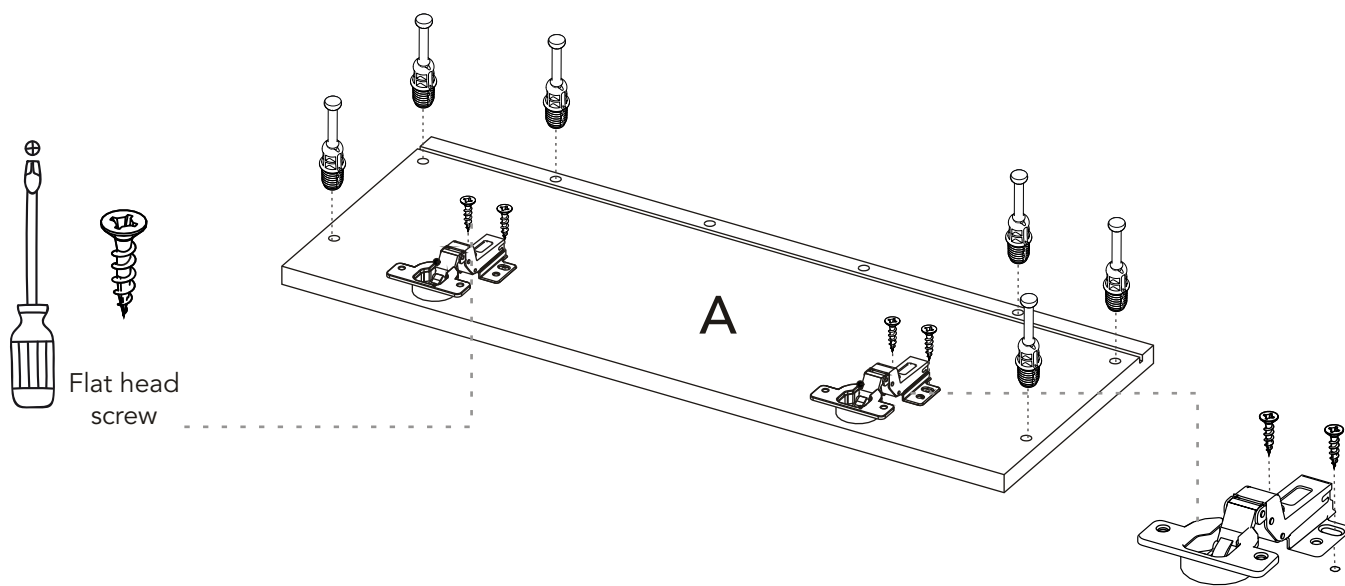


20

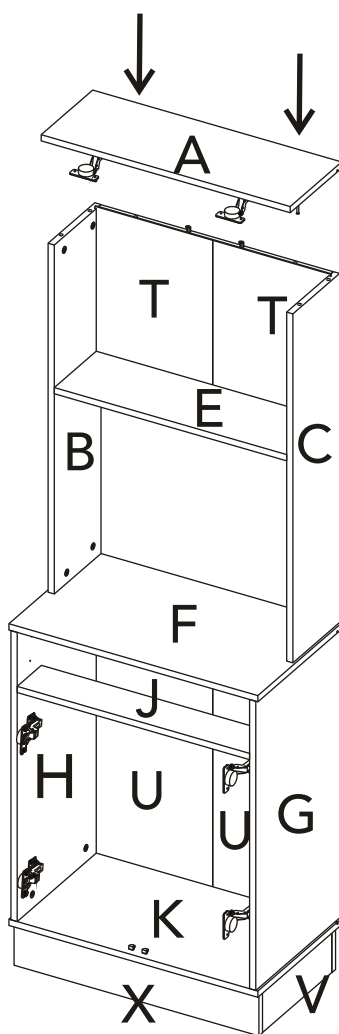




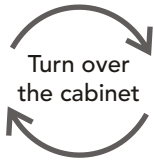
# 21



# 22

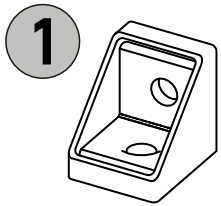


# 23

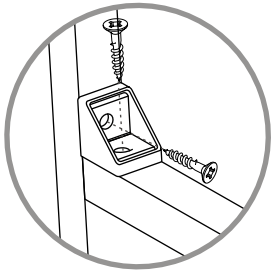


very carefully!

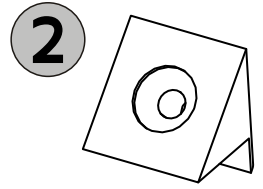
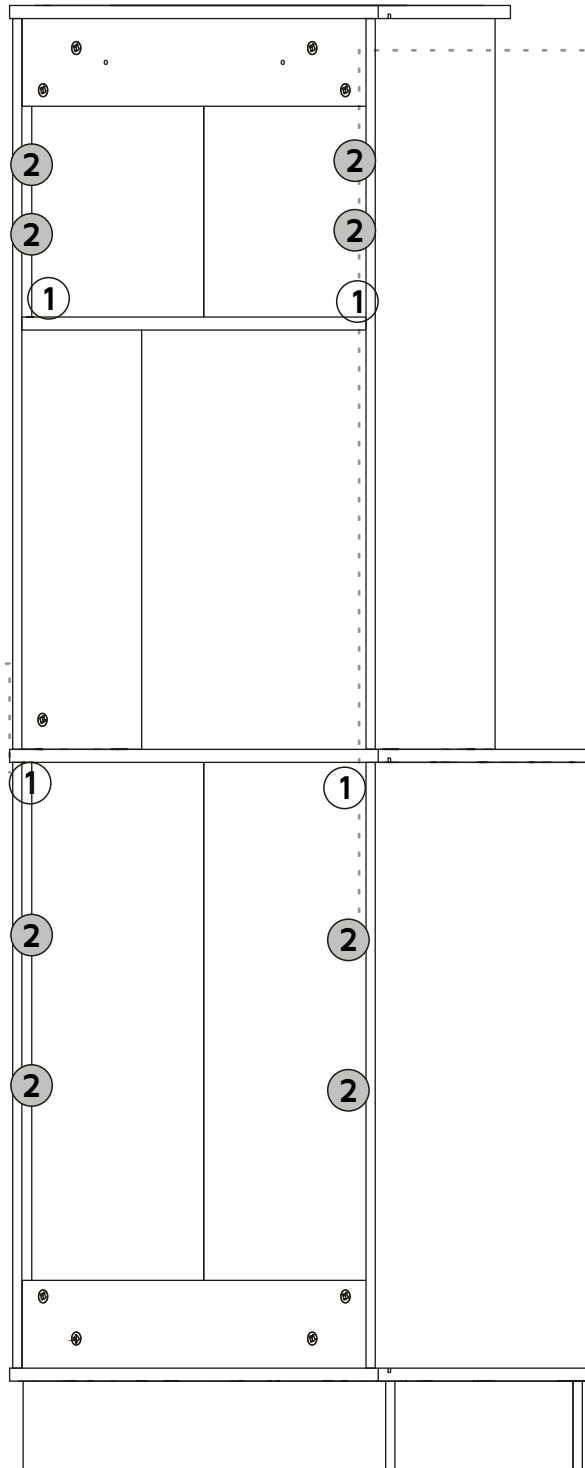
Place the corner supports in the lower corners and fix them with a 9/16" flat head screw.



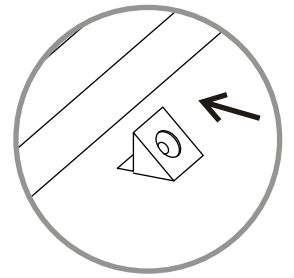
Corner Support



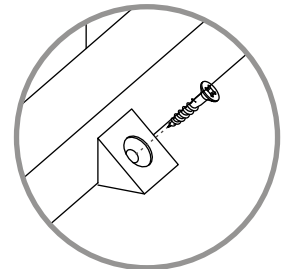
Flat head screw 9/16"



Back Panel Support



Insert the back panel supports between the groove and the back panel.



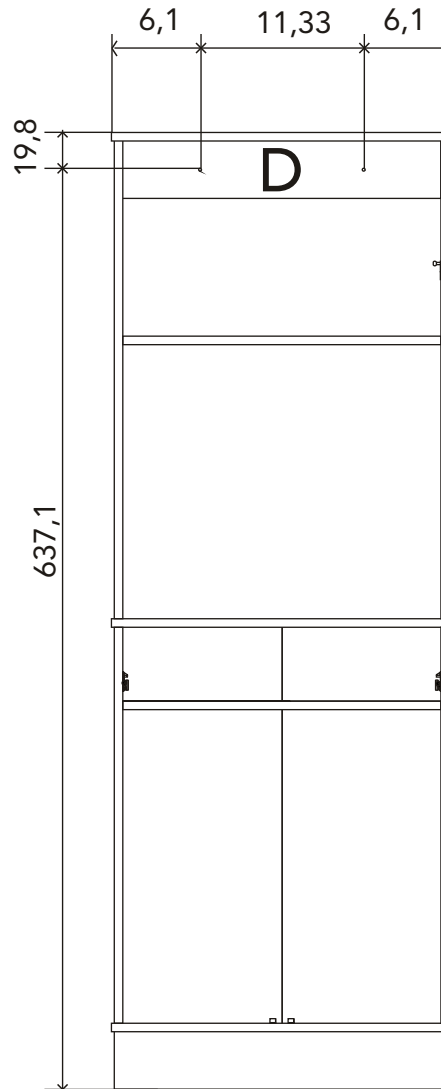
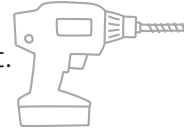
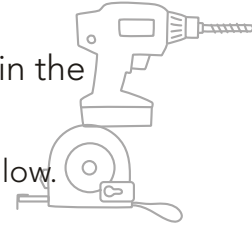
Fix the back panel supports with a 3/4" flat head screw.



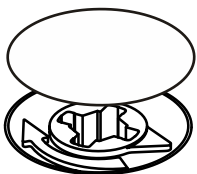
# 24

## Fix your cabinet to the wall

- 1 You must drill the bottoms guided by the holes in the structures with a 3/16" drill bit.
- 2 On the wall, measure and mark the points shown below.
- 3 Drill on the markings with a 5/16" drill bit.
- 4 Insert the wall anchors inside the drillings.
- 5 Place the cabinet and secure it with the screws 2 1/2.



\*Dimensions in inches

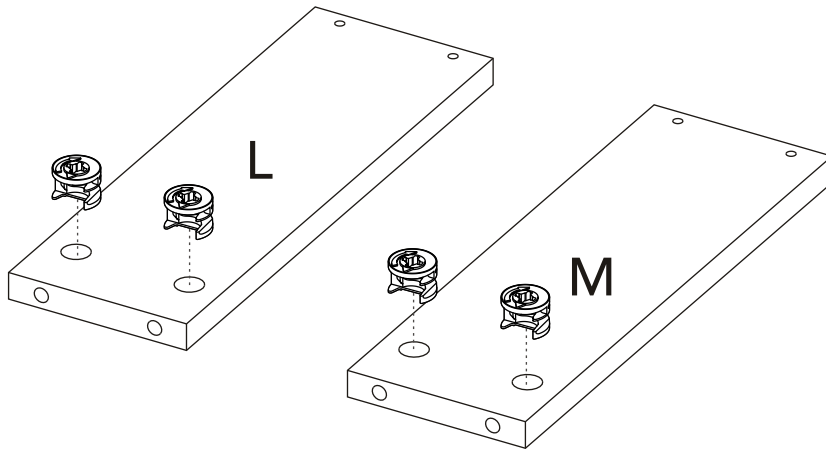


After adjusting all the Minifix cams, cover them up with the cover caps.

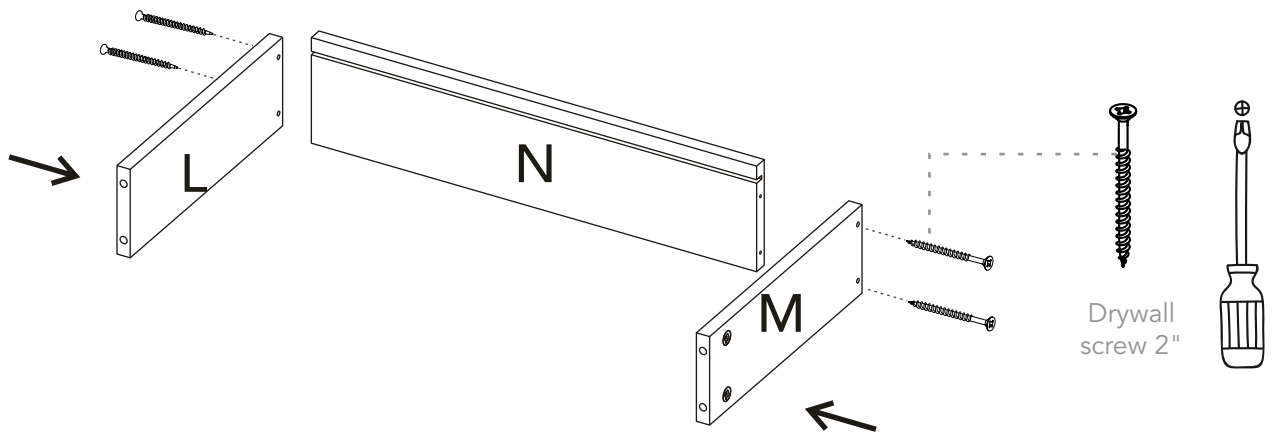
**A**

After finishing the assembly, lift off all the adhesive letters.

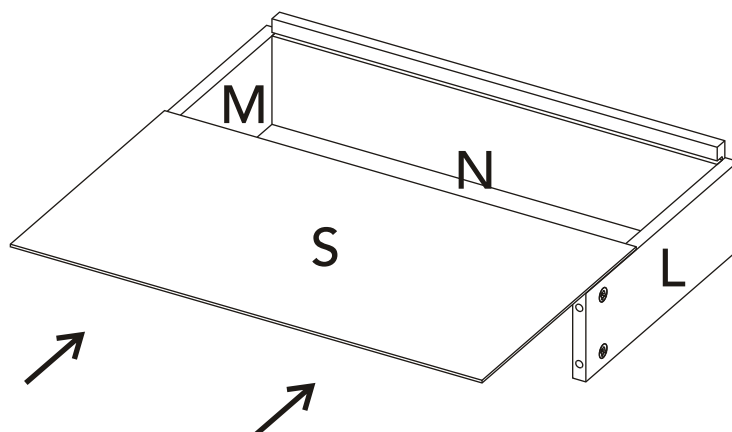
25



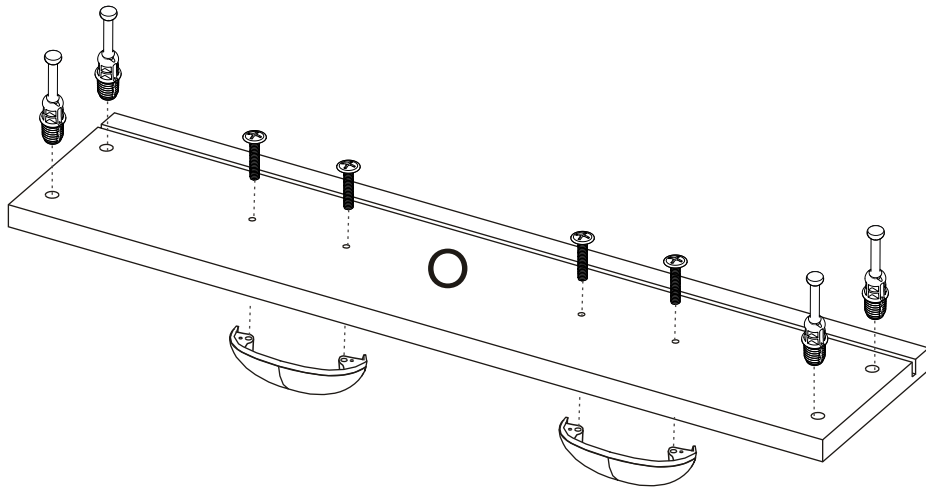
26



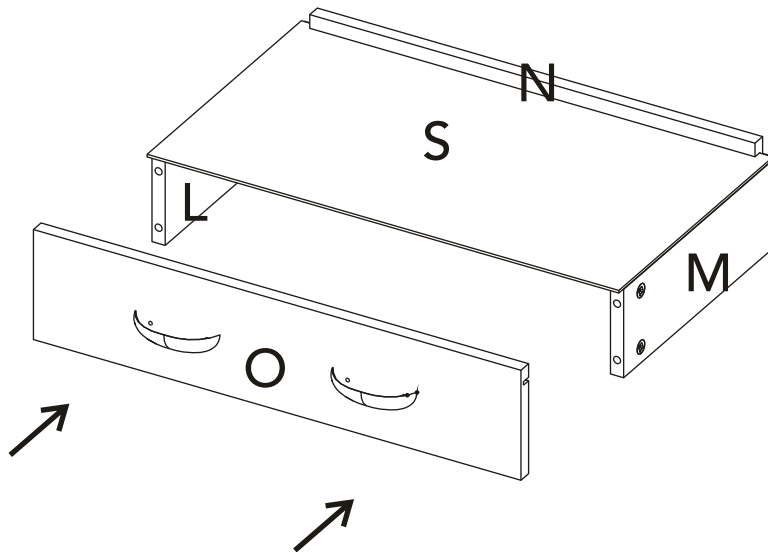
27



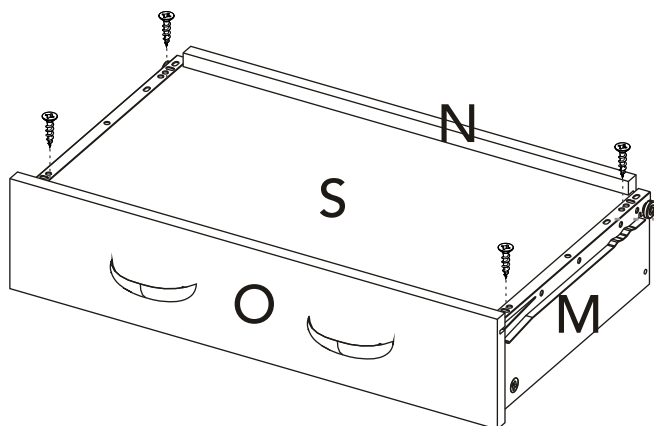
# 28



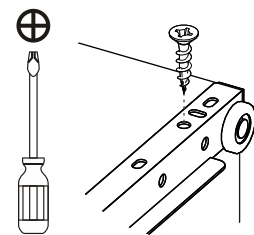
# 29



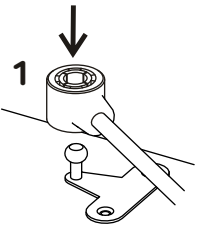
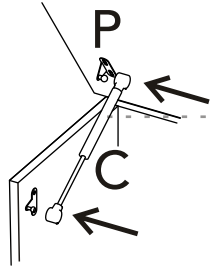
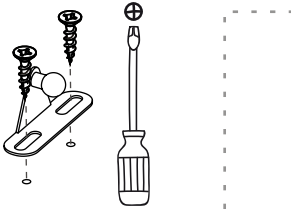
# 30



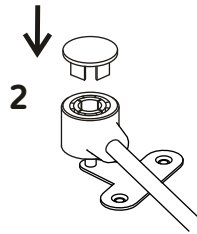
The wheel should go on the rear part of the drawer.



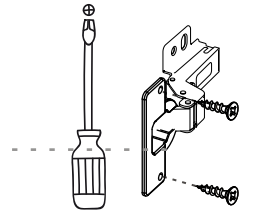
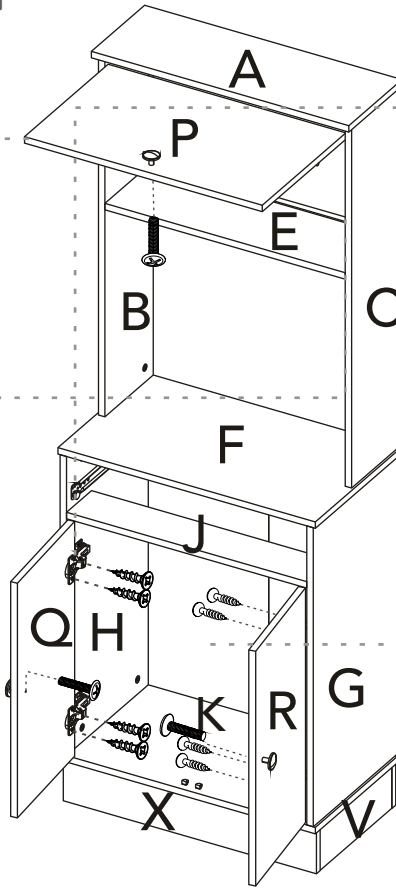
# 31 Assembling and setting up the door



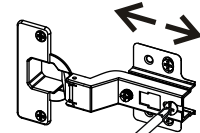
1  
Insert the arm into the pivot



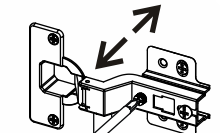
2  
Assemble the caps to secure the arm



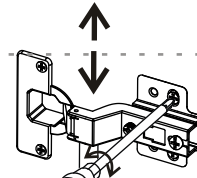
Hinge adjustment



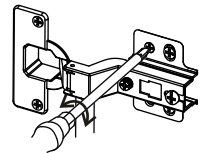
Depth adjustment



Lateral adjustment



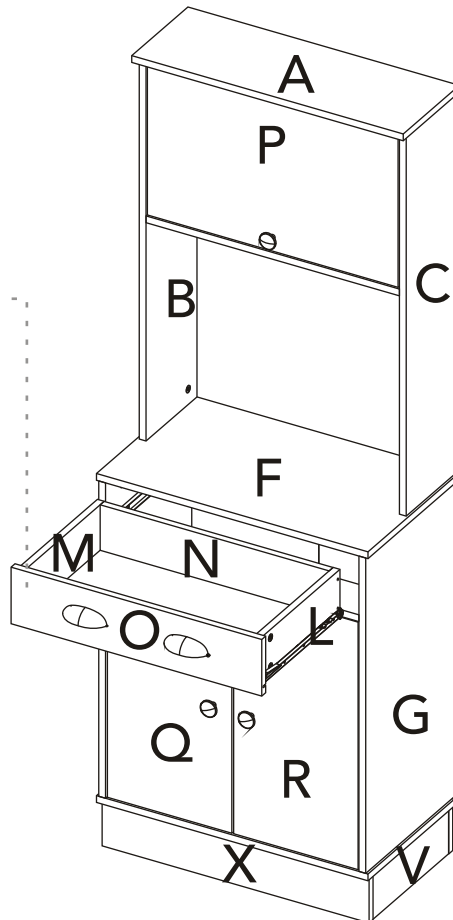
Height adjustment



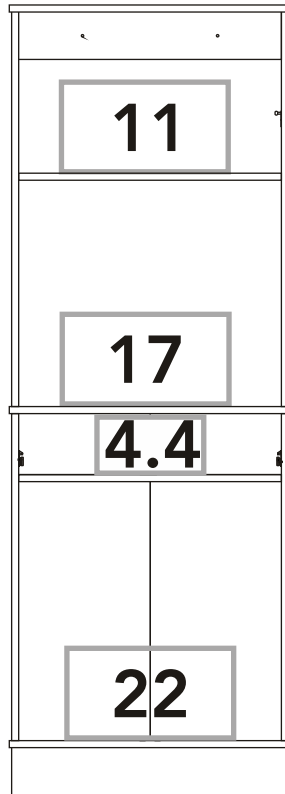
Front screws adjustment

# 32

Slide the drawer inside the cabinet.



# How much weight does my cabinet resist?



\*weight in pounds



**Congratulations!  
It's done**

But don't go yet!

There are some recommendations left for you to take care of your cabinet correctly from now on.

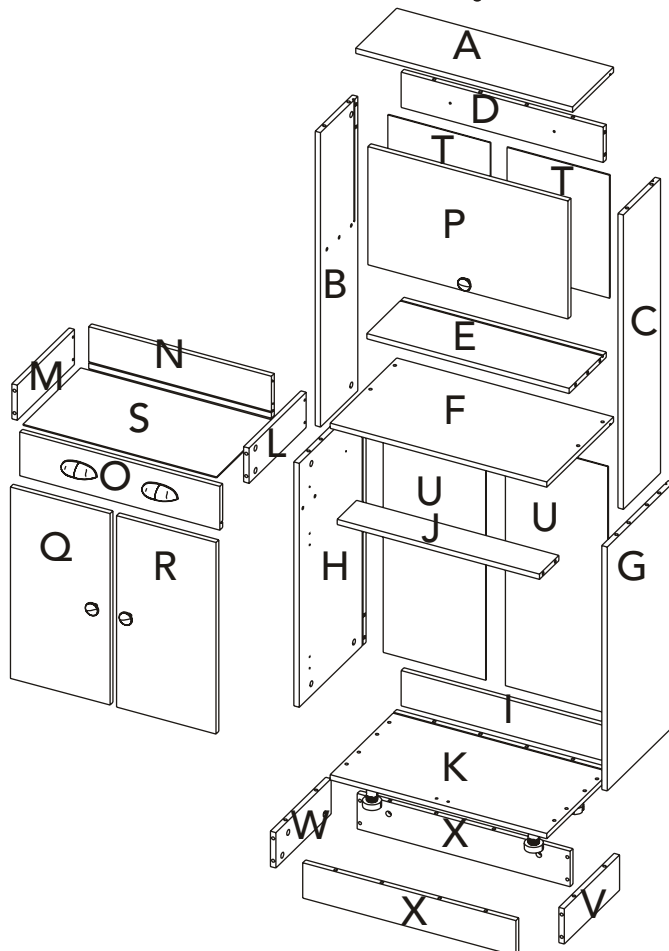
**SUPER IMPORTANT!**

We suggest fixing the cabinet to the wall, so we can avoid the cabinet tipping and harming anyone. Be specially careful with the kids.

# Taking care of your cabinet:

- Do not paint the cabinet.
- The cabinet it's exclusively for indoor spaces. Do not expose it to the direct sun.
- Clean the metallic hardware with a dry cloth.
- DO NOT overload the cabinet (see suggested loads)
- Do not hit or hammer the cabinet (only when indicated here).
- Clean it with thinner, a soft soap solution or simply a damp cloth.
- Don't drag the cabinet, lift it up with other people.
- Avoid direct contact with water, fire or exposing it to high heat.

## Cabinet panels





# WARRANTY POLICY

Furniture has a 1 year warranty coverage in wooden parts and hardware pieces since its manufacturing date, which you can see in the lot number printed on the product box and the assembly instructions leaflet.

Warranty covers materials and workmanship imperfections which impair the assembly or correct functioning of the cabinet.

This warranty is not valid if the defects or imperfections are caused by the incorrect following of the assembly instructions, warnings and recommendations, misuse, intentional damage, fire or flood, or after modifications or any kind of alteration, or repaired by someone not authorized, when it's been assembled 3 months after the date of purchase. These defects **MUST** be reported before the warranty coverage period ends. Once the product has been assembled, the company will not be responsible for defective and/or damaged parts.

This warranty is **ONLY** valid for the **ORIGINAL PURCHASER**, it doesn't apply if the product has been resold, rented, etc.

Furniture will take no liability for incidental or consequential damages caused to or by the product (This may not apply in your state).

To make this warranty valid you must write to our customer service email describing the product defect, lot number and submitting your sales receipt or proof of purchase, or contact us at our customer service line. Replaced parts will be under the product's original warranty coverage period. Damaged parts will become property of the company.

There are no other warranties applicable to this product.