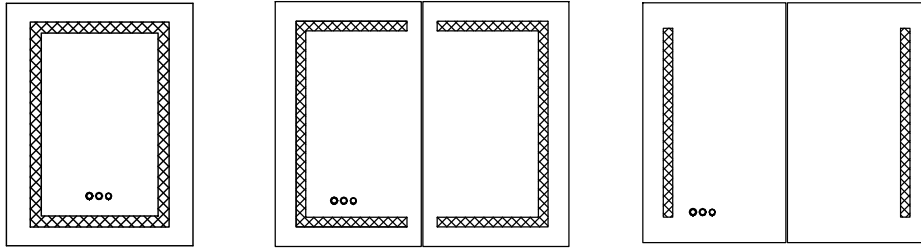


INSTALLATION INSTRUCTIONS

Apply to the below style of LED Medicine Cabinet



Please read carefully and save these instructions.

Don't discard any of the packaging until you are sure that you have all of the parts and the fittings.

Make sure the main power must be cut off before installation.

IMPORTANT

- This product contains glass parts. Care must be taken when fitting or handling these parts to prevent personal injury or damage to the products; if the glass is broken, please stop using it and replace it from agent or manufacturer.
- Ensure the mounting surface is dry and strong enough to bear four times the weight of fixture for the safe fitting of this fixture;
- Care must be taken before drilling fixing holes to avoid any existing wiring or pipe work that may be concealed.

INSTALLATION

Please refer the installation diagram on the back of the page.

- 1) Open the carton package, take out the EPE on the mirror front, then put it on the floor. Take out the whole mirror from the PE bag and lay down on the polyfoam on the floor, mirror face down. Then remove the mirror door to prepare the next installation, prepare the installation tools and the fittings bag, see the parts list(See page 3&4)

Wall mounting installations

- 1) Measure the distances to prepare the space for the LED Medicine cabinet on the wall, then use pencil to mark down the screws positions, drill holes and install the aluminum hanger on the wall.(See page 5)
- 2) Connect the cable by the screw-on wire connectors supplied in accordance with following codes: Black wire to Live Terminal (L), White wire to Neutral Terminal (N), Green wire to Earth Terminal (E) (120V, 60Hz). Then mounting the Cabinet on the wall and the install the anti-pulling bracket at below with screws(See page 6)
- 3) Installa the aluminum panel on two side by the screw holes inside the cabinet(See Pic. 7)




Recessed

- 1) Use pencil to dimensions of the cabinet body to recessed on the wall, connect the wires in accordance by the wire connections instructions above, then use the screws to install the cabinet body into the wall by the screw positions inside.(See page 8)

Installations of glass shelves and mirror door adjustable

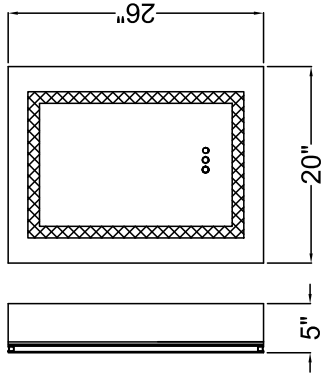
Install the glass shelf by the plastic holder provided at the fittings bag. adjust the hinges if needed(See page 9)

Functions

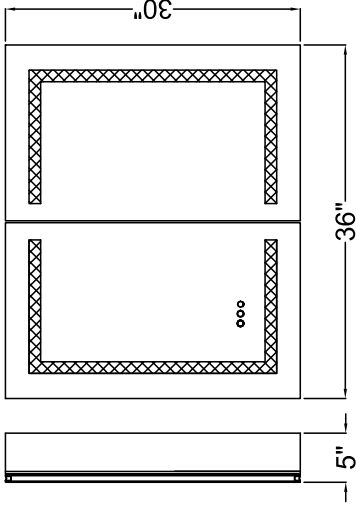
-  → Touch sensor switch - for control the lights on/off OR long press for dimmable
-  → Defogger - Clear the mirror from bathroom steam
-  → Touch sensor switch - to change the color temperature by short or long press

Mirplus LED Medicine Cabinet Series Single door /Double door

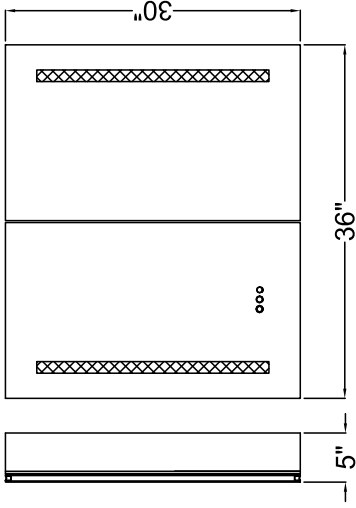
1 Single door LED Medicine Cabinet



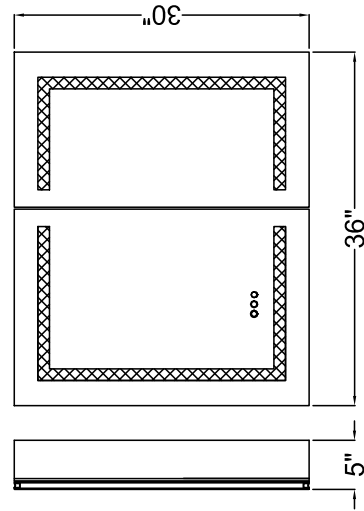
2 Double door LED Medicine Cabinet(1)



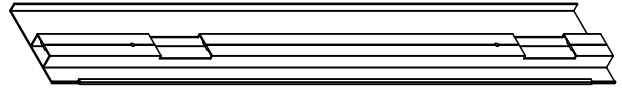
3 Double door LED Medicine Cabinet(2)



4 Double door LED Medicine Cabinet(3)

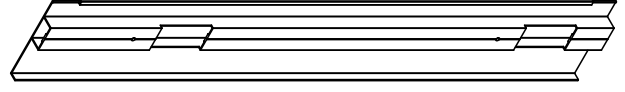


5 Aluminum Panel
-Left side



Single-Door	1 PCS	Quantity
Double-Door(1)	1 PCS	
Double-Door(2)	1 PCS	
Double-Door(3)	1 PCS	
Accessory Name		

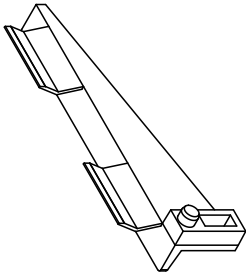
6 Aluminum Panel
-Right side



Single-Door	1 PCS	Quantity
Double-Door(1)	1 PCS	
Double-Door(2)	1 PCS	
Double-Door(3)	1 PCS	
Accessory Name		

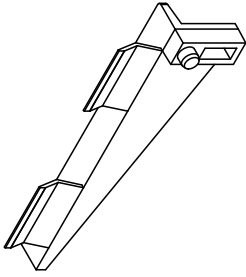
Parts list for the Medicine cabinet

**7 Holder for Glass shelf
-Right side**



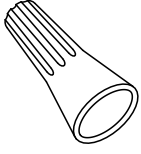
Single-Door	2 PCS
Double-Door(1)	3 PCS
Double-Door(2)	3 PCS
Double-Door(3)	3 PCS
Accessory Name	Quantity

**8 Holder for Glass shelf
-Left side**



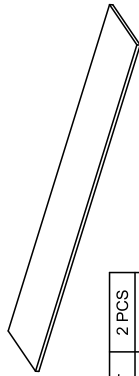
Single-Door	2 PCS
Double-Door(1)	3 PCS
Double-Door(2)	3 PCS
Double-Door(3)	3 PCS
Accessory Name	Quantity

9 Wire connector



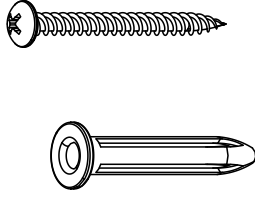
Single-Door	3 PCS
Double-Door(1)	3 PCS
Double-Door(2)	3 PCS
Double-Door(3)	3 PCS
Accessory Name	Quantity

10 Tempering Glass Shelf inside



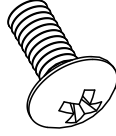
Single-Door	2 PCS
Double-Door(1)	3 PCS
Double-Door(2)	3 PCS
Double-Door(3)	3 PCS
Accessory Name	Quantity

11 Tapping Screws



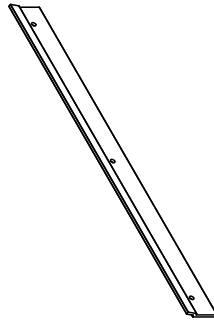
Single-Door	5 PCS
Double-Door(1)	6 PCS
Double-Door(2)	6 PCS
Double-Door(3)	6 PCS
Accessory Name	Quantity

12 Screws for side panel



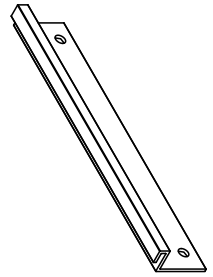
Single-Door	4 PCS
Double-Door(1)	4 PCS
Double-Door(2)	4 PCS
Double-Door(3)	4 PCS
Accessory Name	Quantity

13 Aluminum hanger



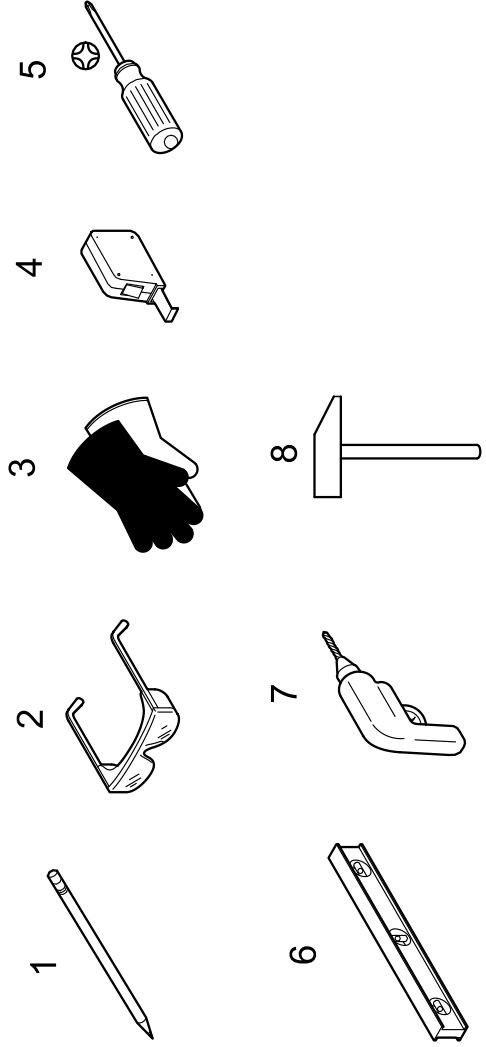
Single-Door	1 PCS
Double-Door(1)	1 PCS
Double-Door(2)	1 PCS
Double-Door(3)	1 PCS
Accessory Name	Quantity

14 Anti-pulling bracket

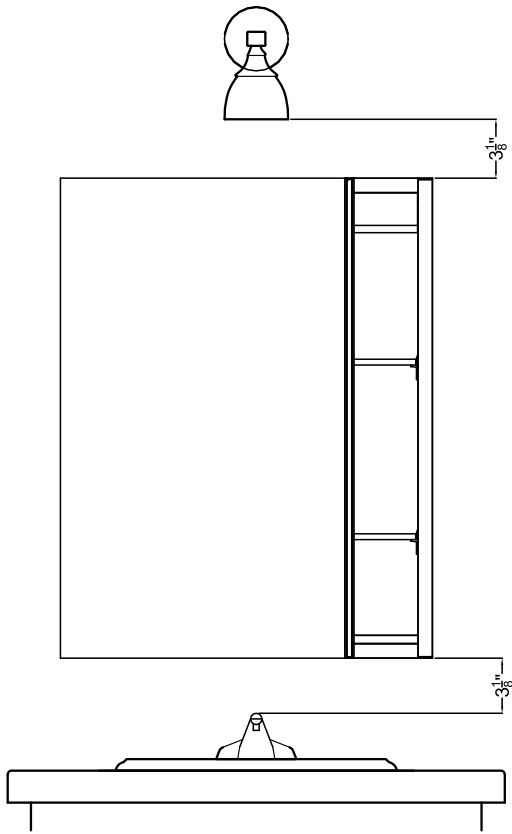


Single-Door	1 PCS
Double-Door(1)	1 PCS
Double-Door(2)	1 PCS
Double-Door(3)	1 PCS
Accessory Name	Quantity

TOOL REQUIRED

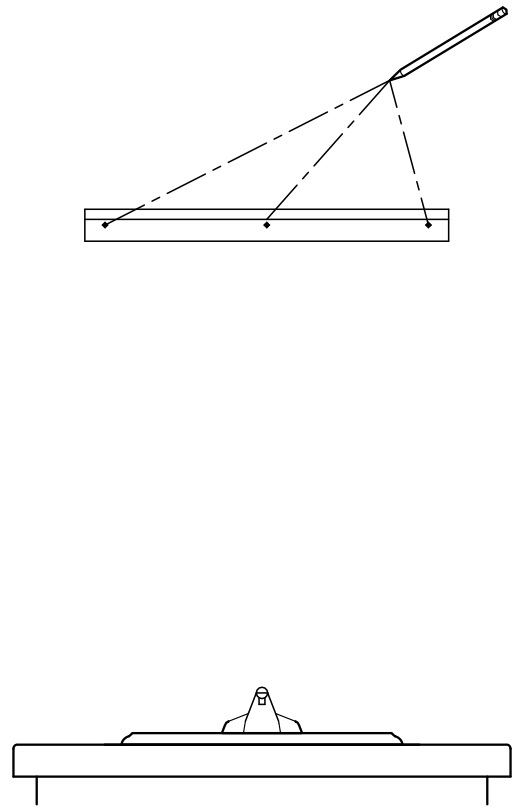


1



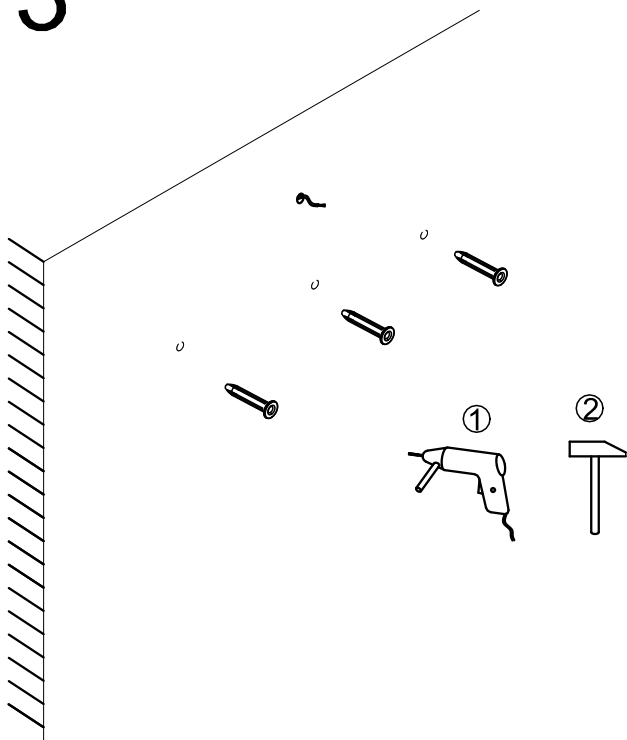
Faucet or Wash basin

2

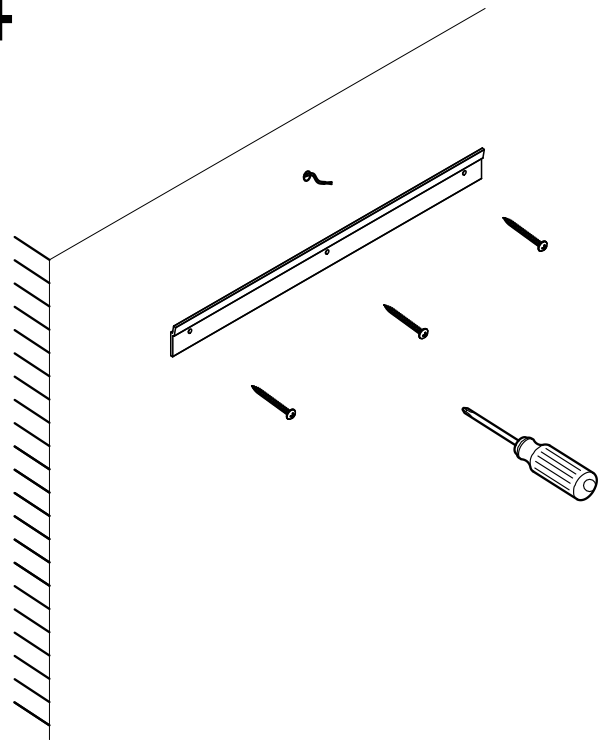


Faucet or Wash basin

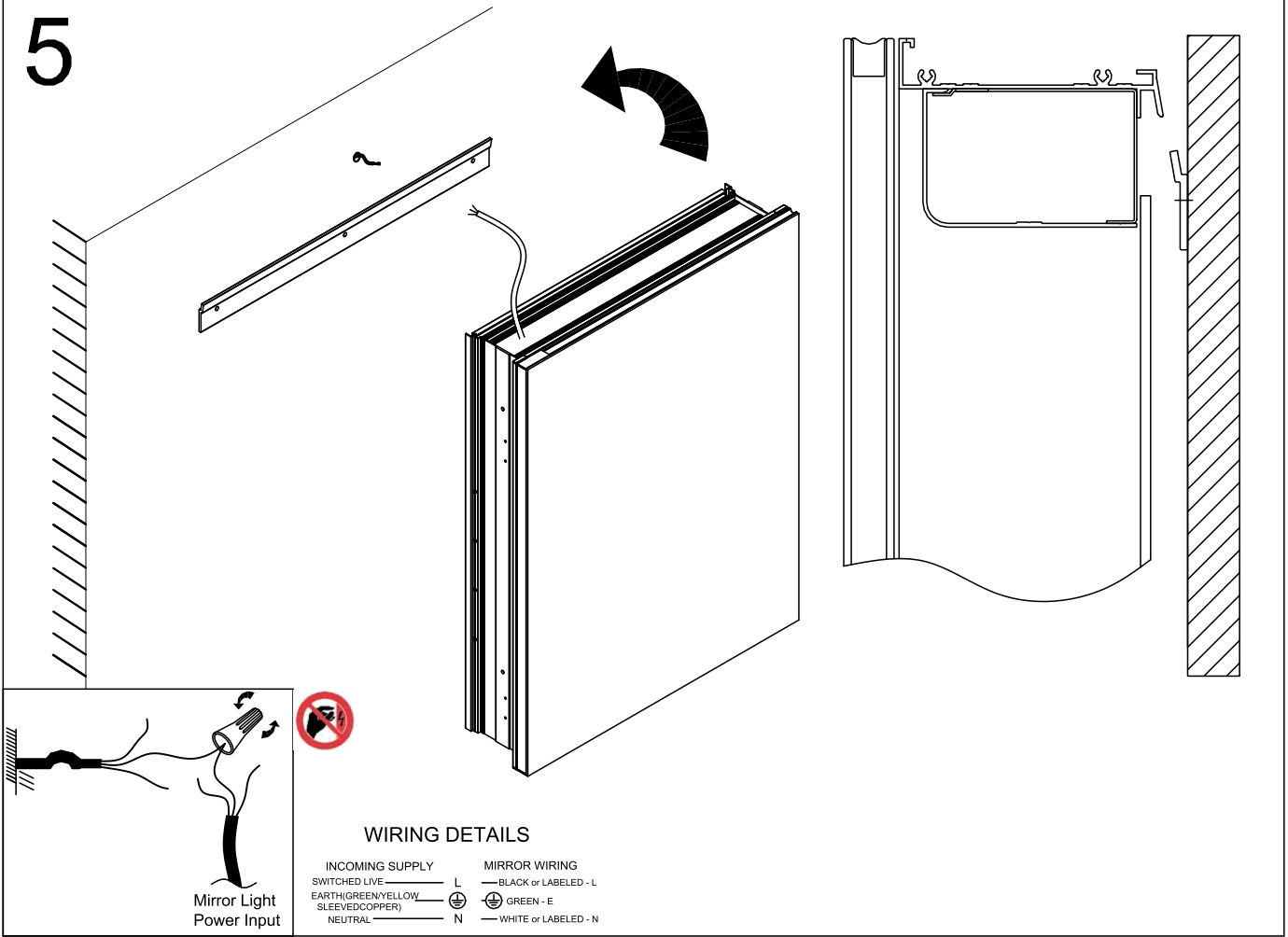
3



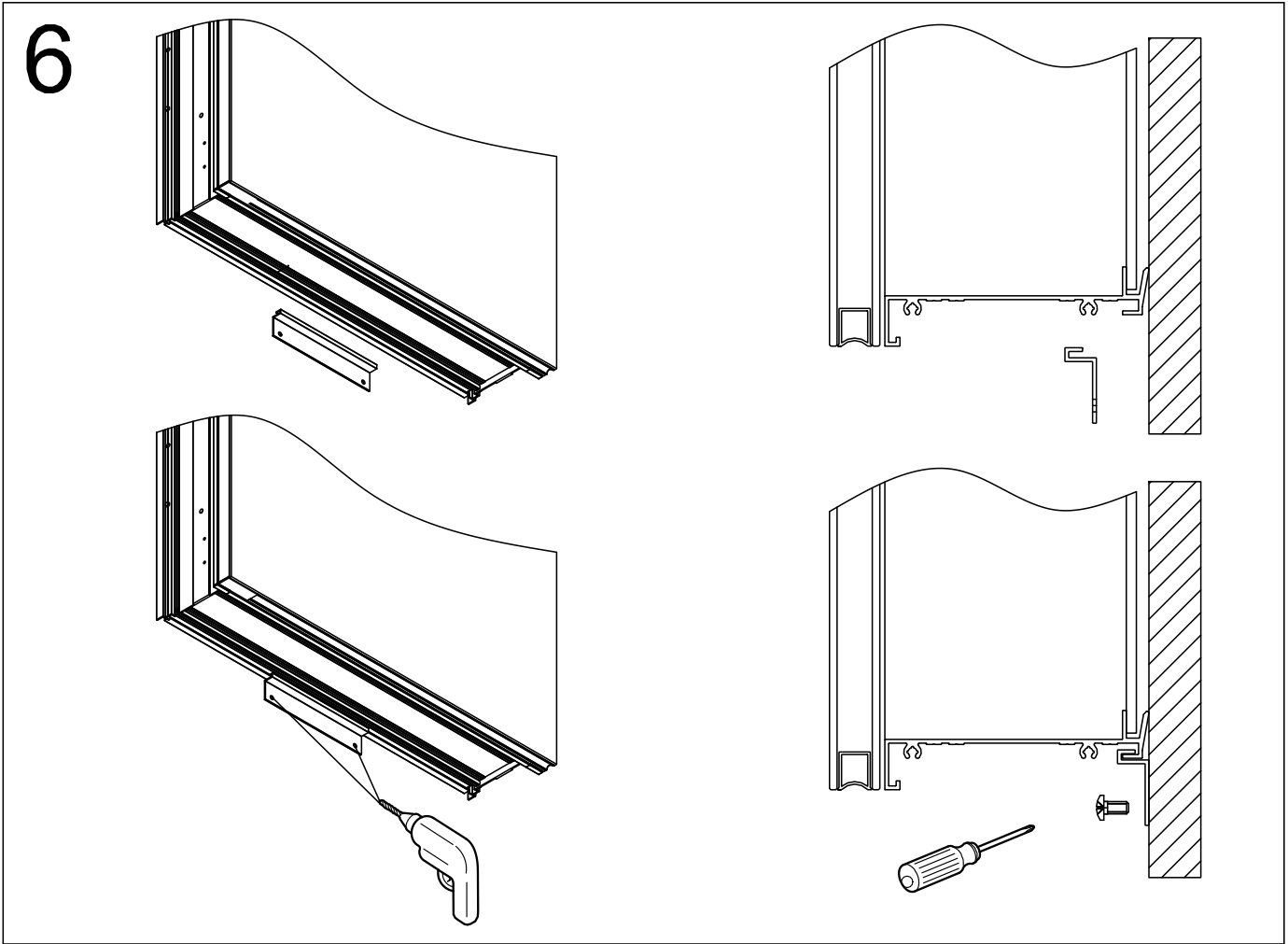
4



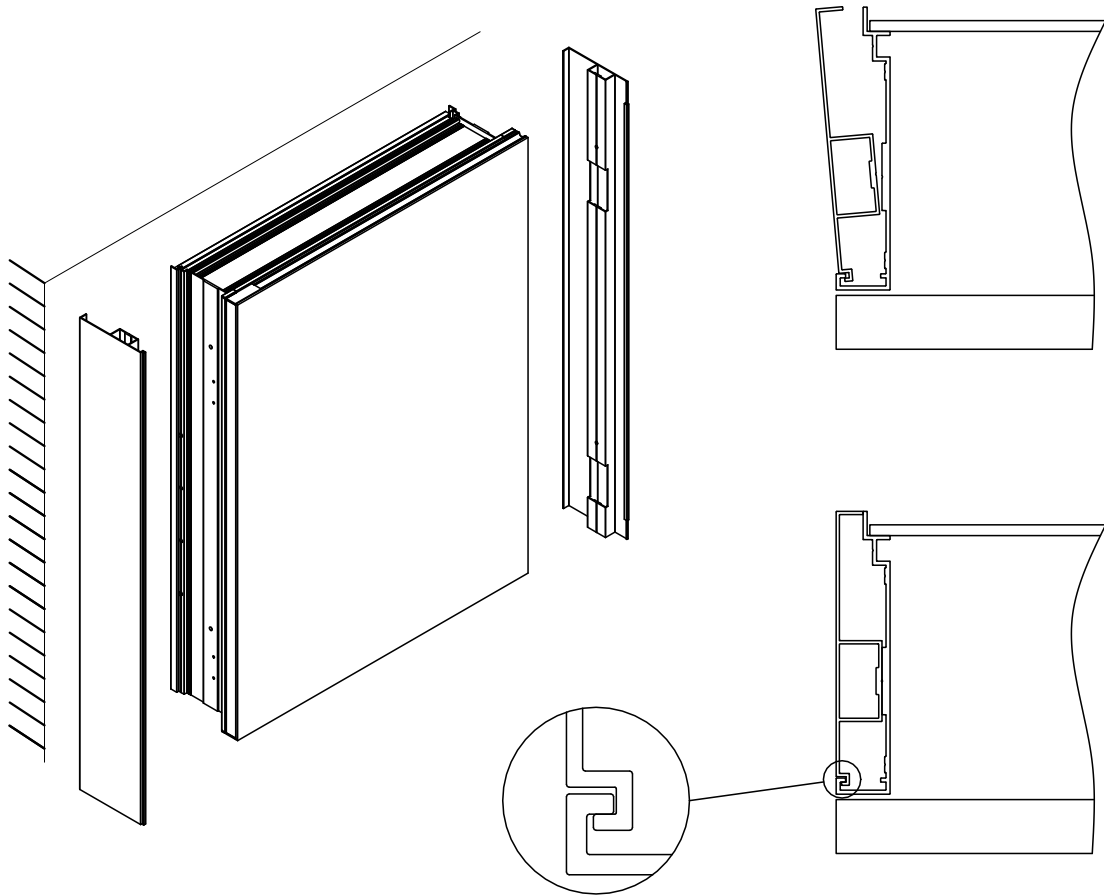
5



6

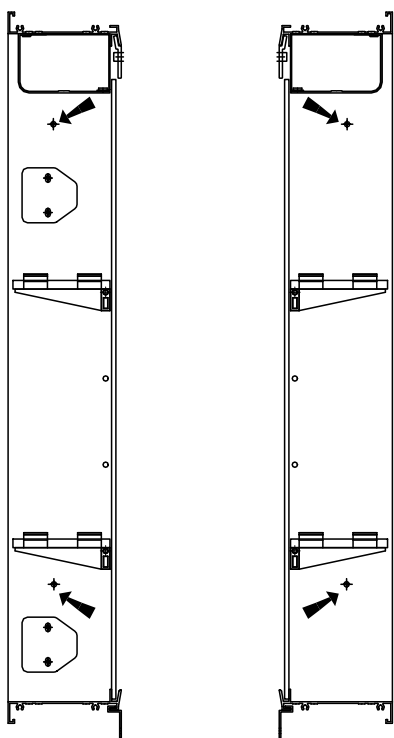


7

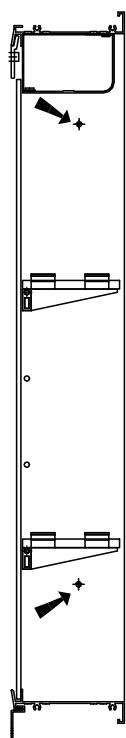


8

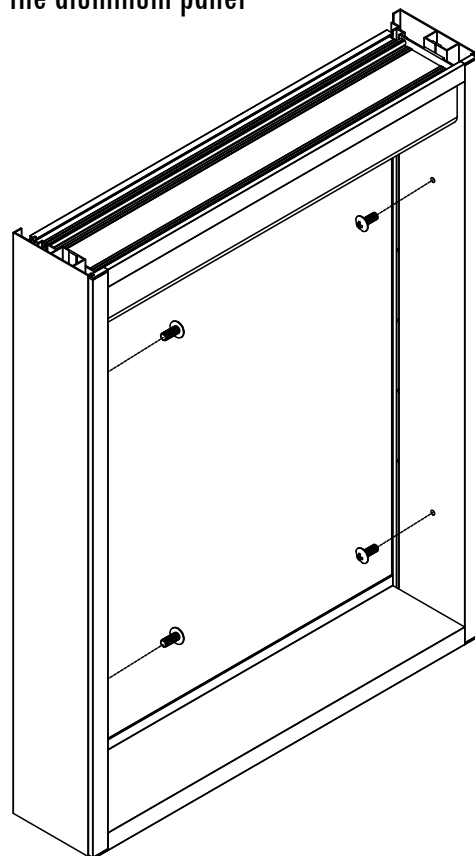
Find the screws position inside the cabinet to install the aluminum panel



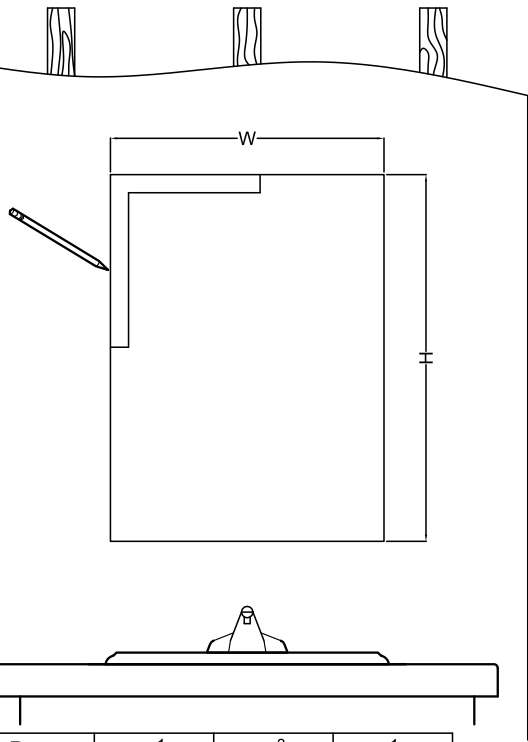
Left Side



Right Side

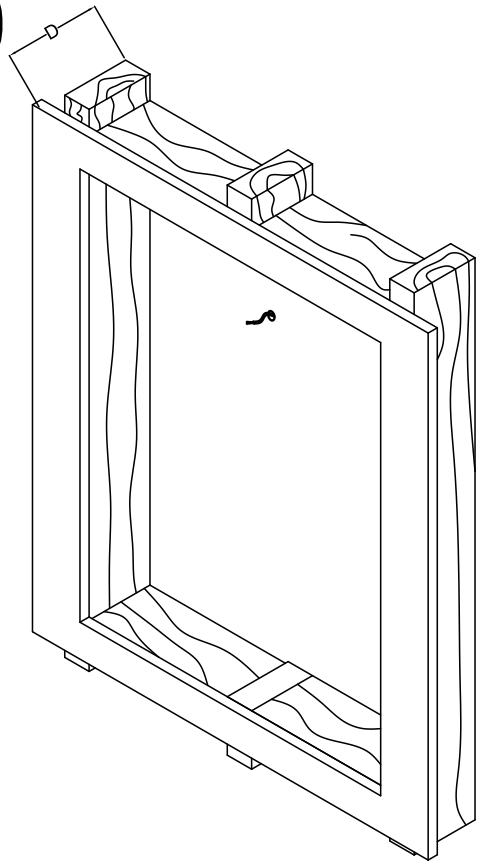


9



Single-Door	19 $\frac{1}{2}$ "	25 $\frac{3}{8}$ "	4 $\frac{1}{8}$ "
Double-Door(1)	35 $\frac{3}{8}$ "	29 $\frac{3}{8}$ "	4 $\frac{1}{8}$ "
Double-Door(2)	35 $\frac{3}{8}$ "	29 $\frac{3}{8}$ "	4 $\frac{1}{8}$ "
Double-Door(3)	35 $\frac{3}{8}$ "	29 $\frac{3}{8}$ "	4 $\frac{1}{8}$ "
Accessory Name	W	H	D
Cut-Out Dimensions			

10

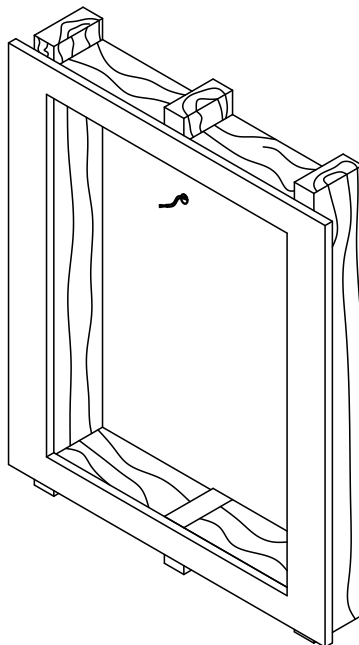
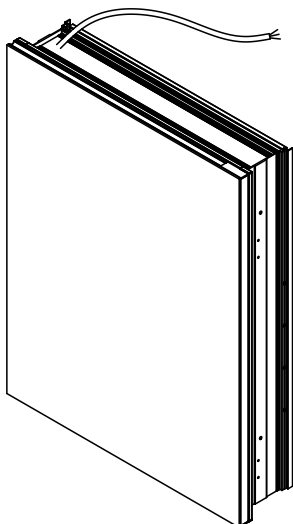
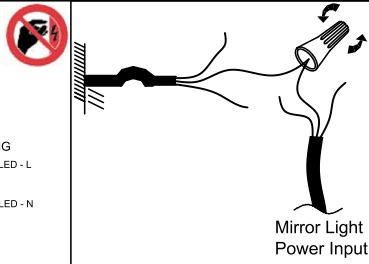


11

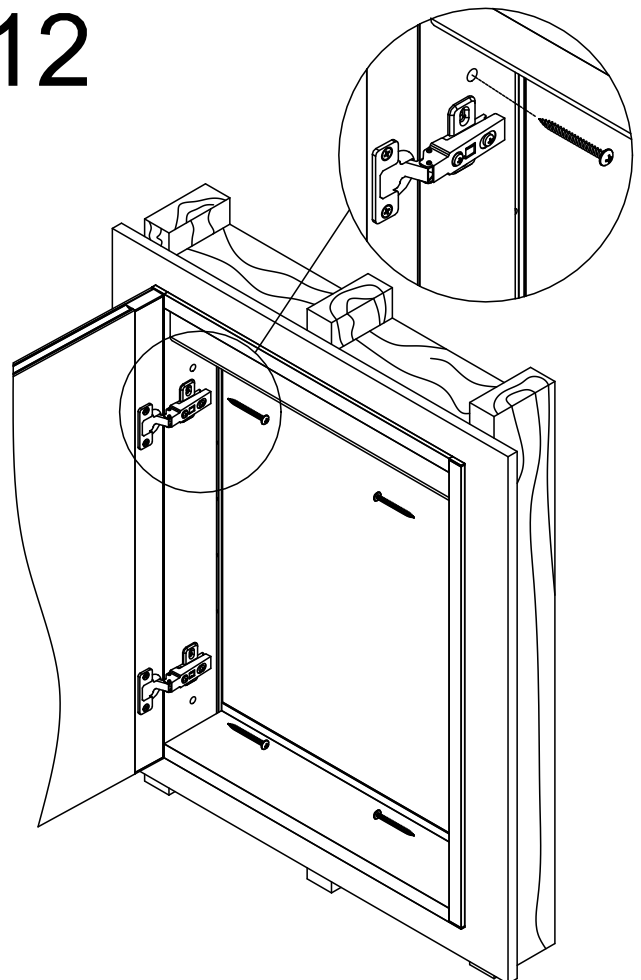
WIRING DETAILS

INCOMING SUPPLY
 SWITCHED LIVE — L
 EARTH (GREEN/YELLOW SLEEVE/COPPER) — E
 NEUTRAL — N

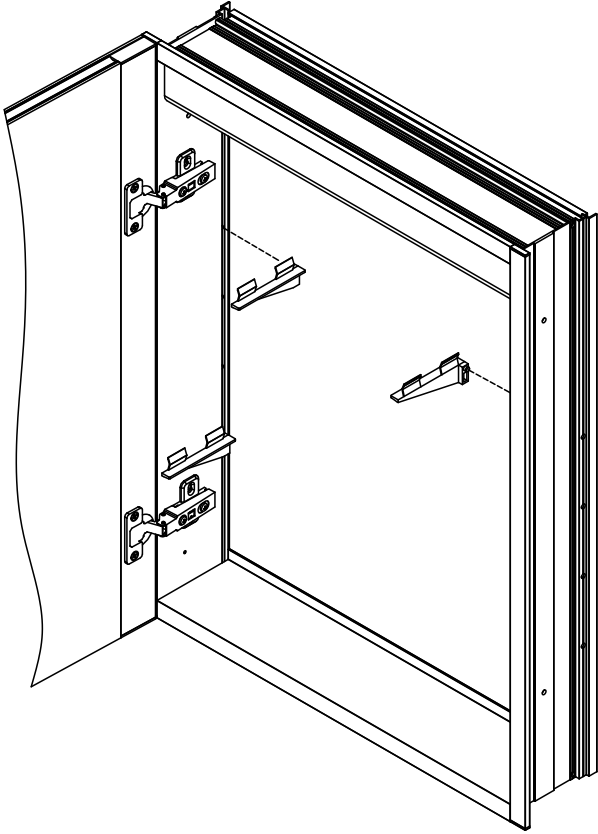
MIRROR WIRING
 BLACK or LABELED - L
 GREEN - E
 WHITE or LABELED - N



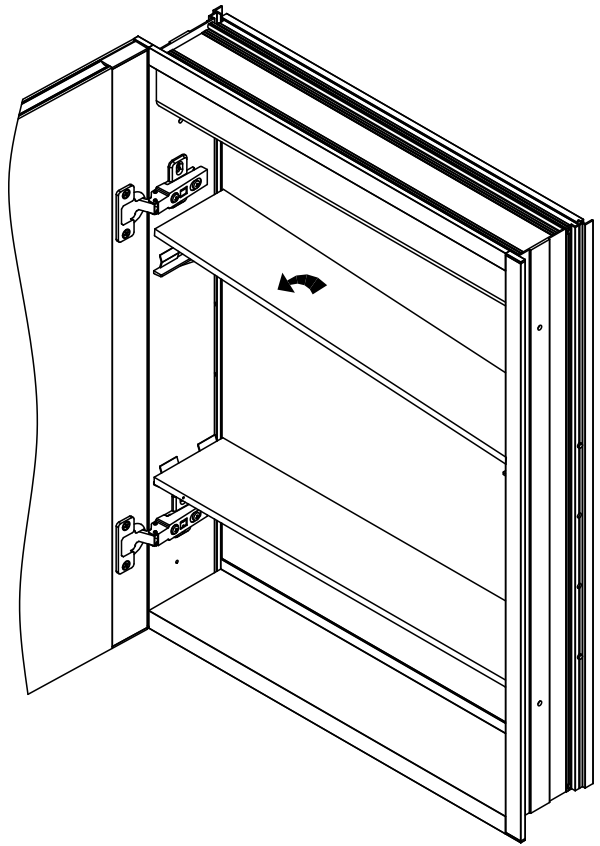
12



13

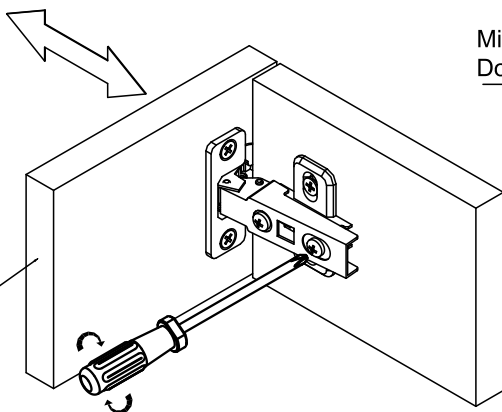
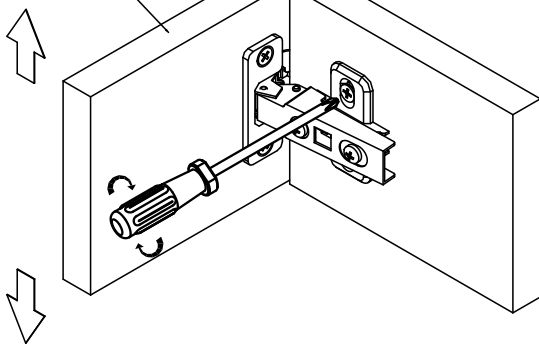


14



15

Mirror Cabinet Door



Mirror Cabinet Door

Mirror Cabinet Door

