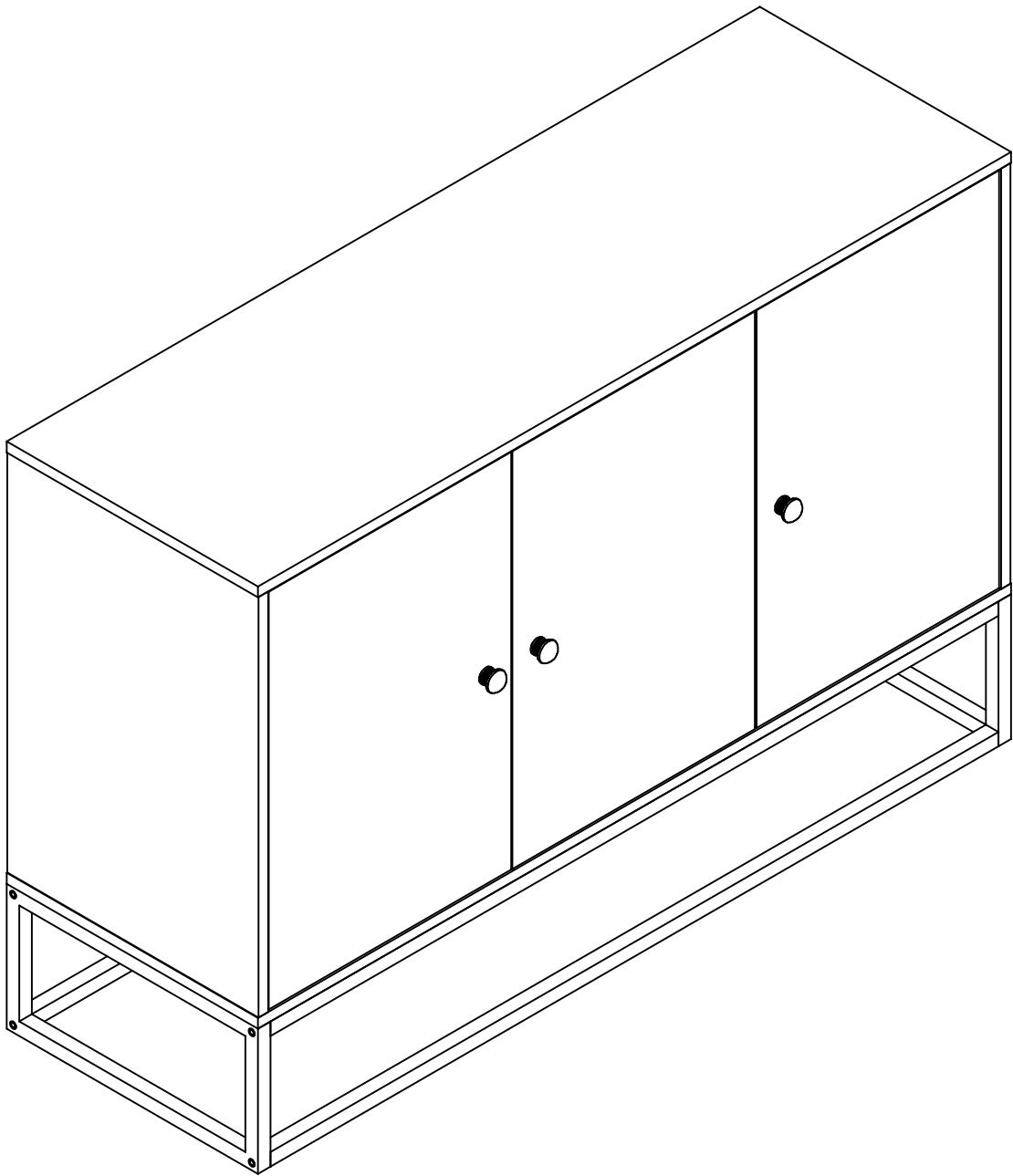
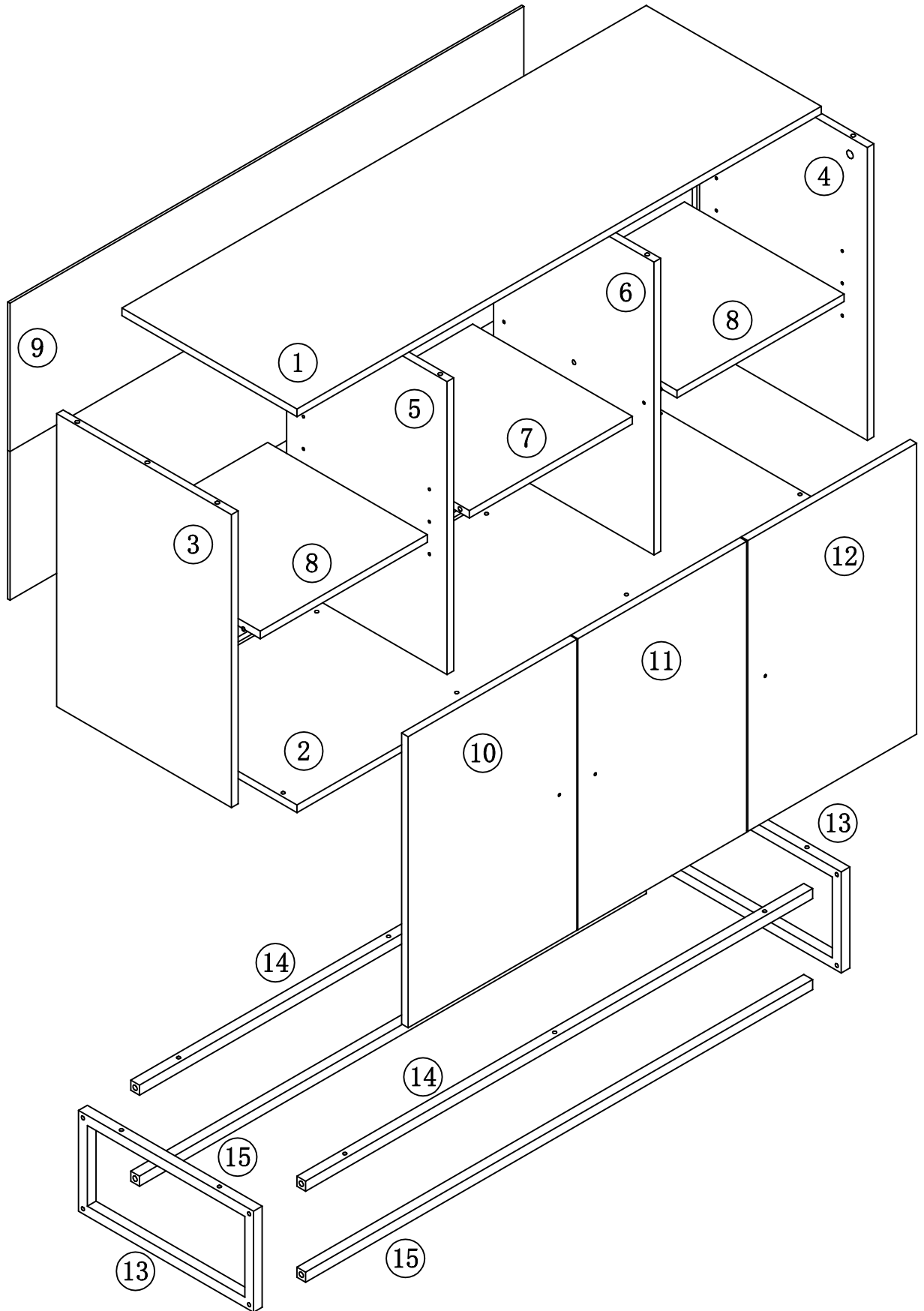
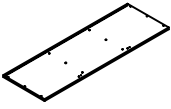
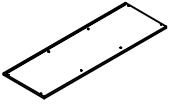
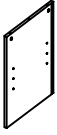
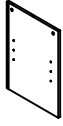
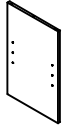
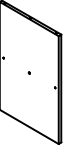
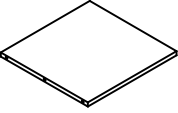
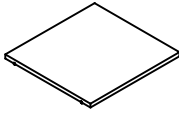
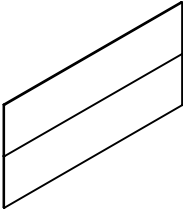
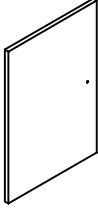
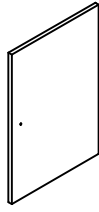
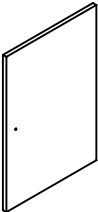
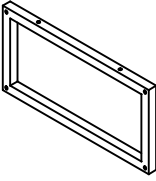
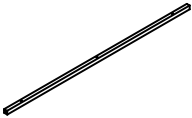

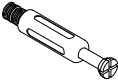

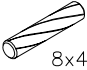


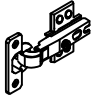
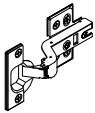
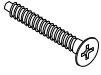




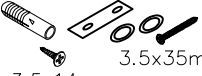
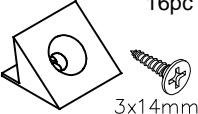


Assembly Instruction

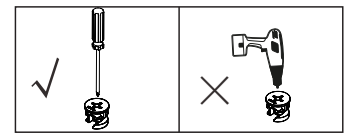
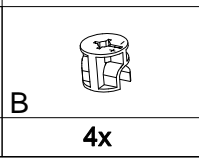
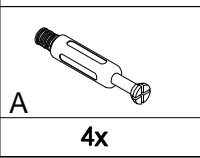
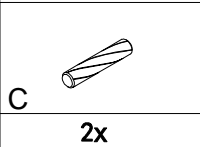
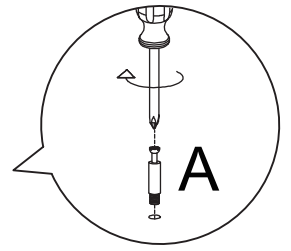
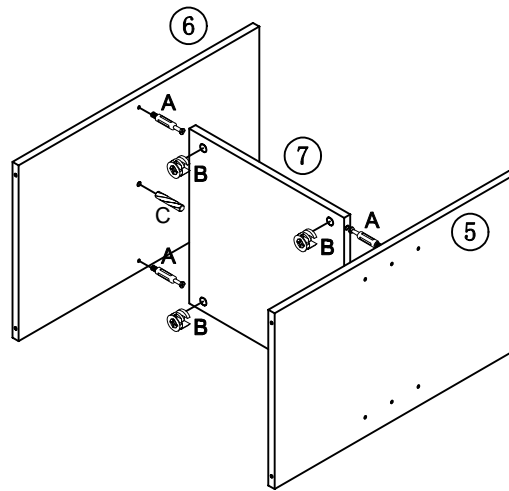




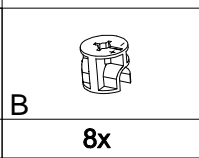
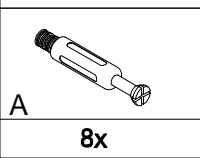
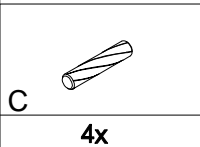
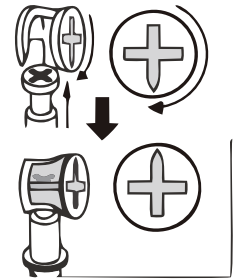
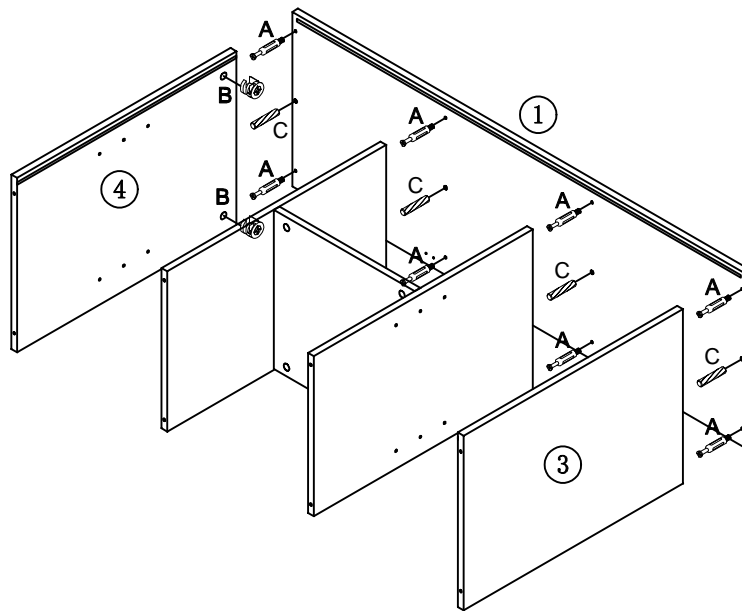
1 	2 	3 	4 	5 	6 
7 	8 	9 	10 	11 	12 
13 	14 	15 			

Cam Bolt 12pc  (A)	Cam Nut 12pc  (B)	Wood Plug 6pc 8x40mm  (C)	Hangle 3pc  (D)	Screw 3pc  (E)	4pc  (F)
2pc  (G)	Screw 8pc 7x50mm  (H)	Screw 36pc 3.5x14mm  (I)	8pc  (J)	Screw 10pc 6x30mm  (K)	Screw 8pc 6x35mm  (L)
2pc 3.5x14mm  (M)	Back panel buckle set 16pc 3x14mm  (N)				

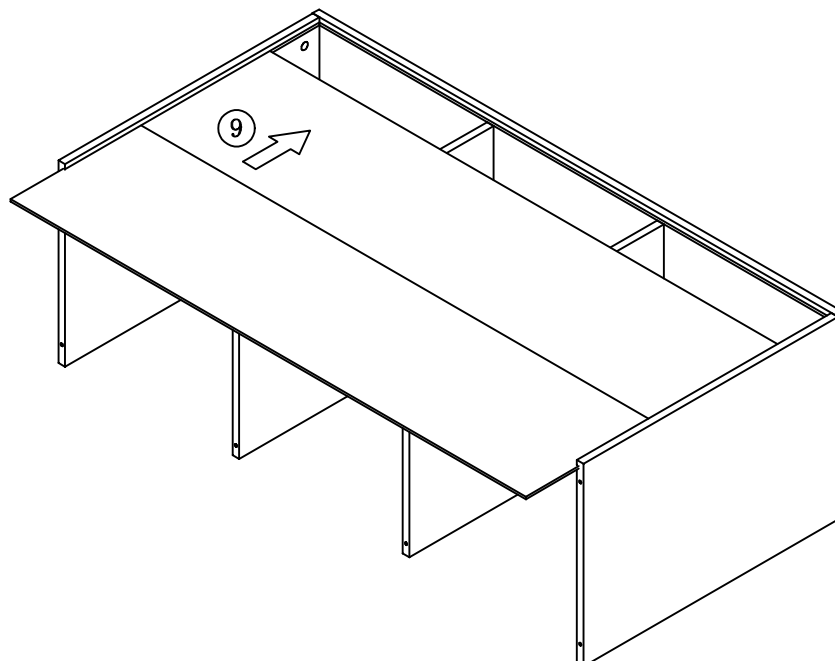
Step 1



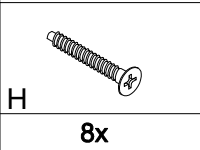
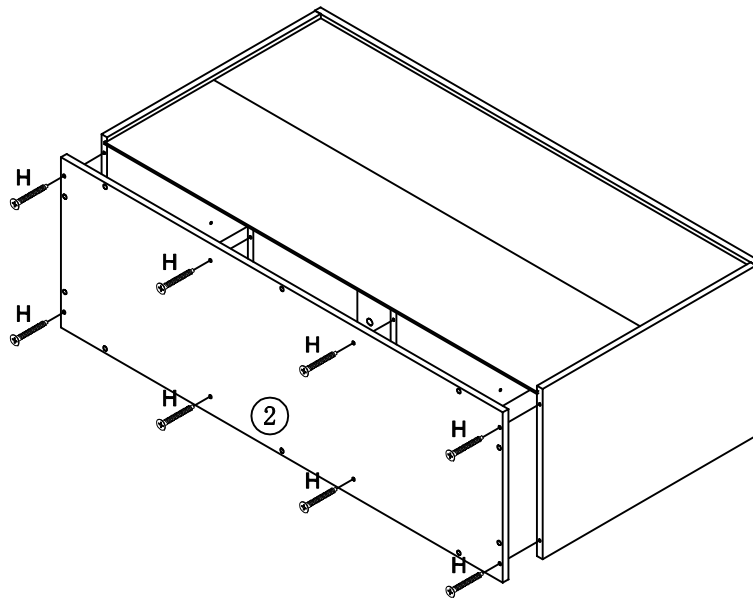
Step 2



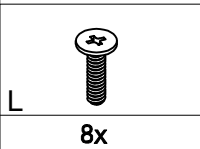
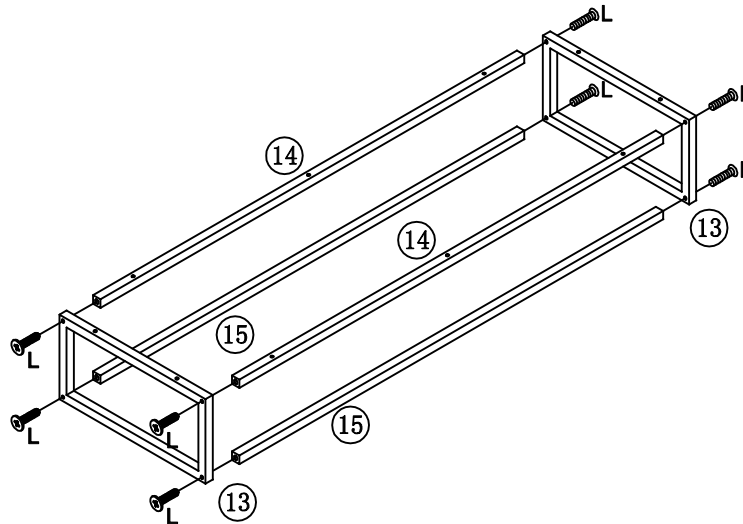
Step 3



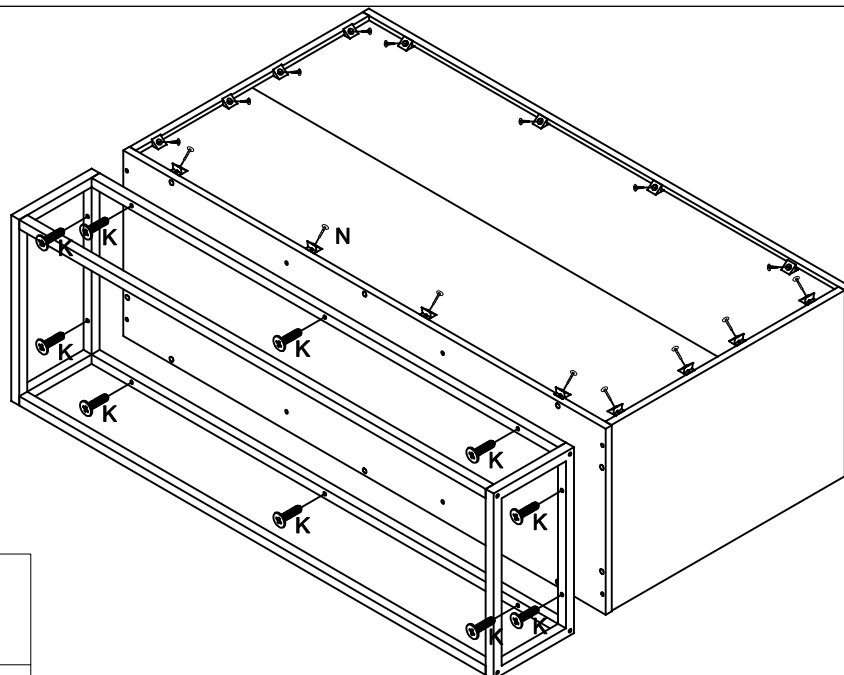
Step 4



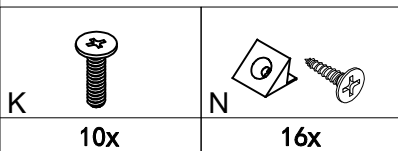
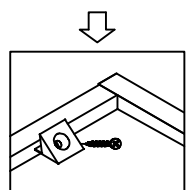
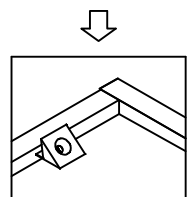
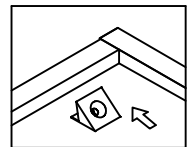
Step 5



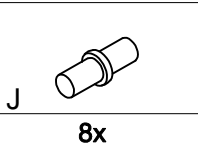
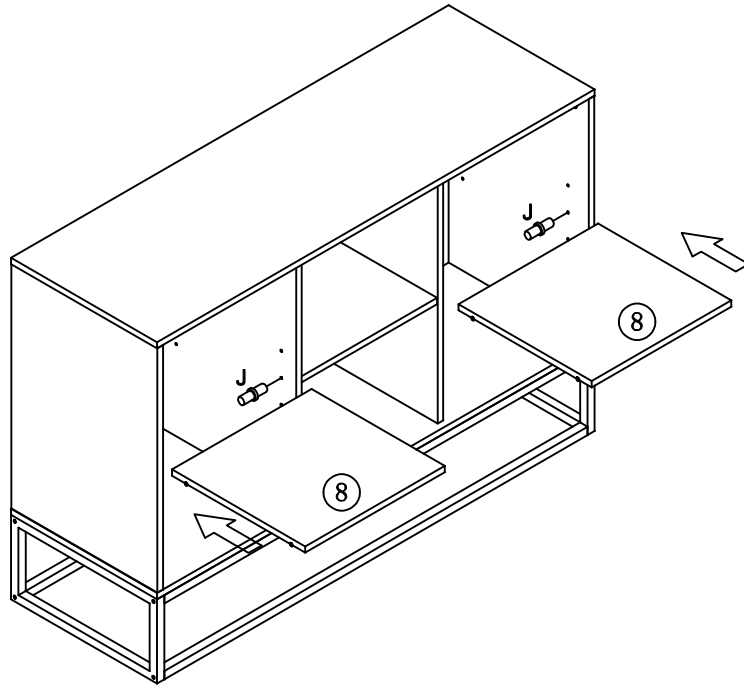
Step 6



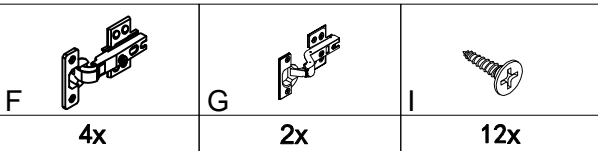
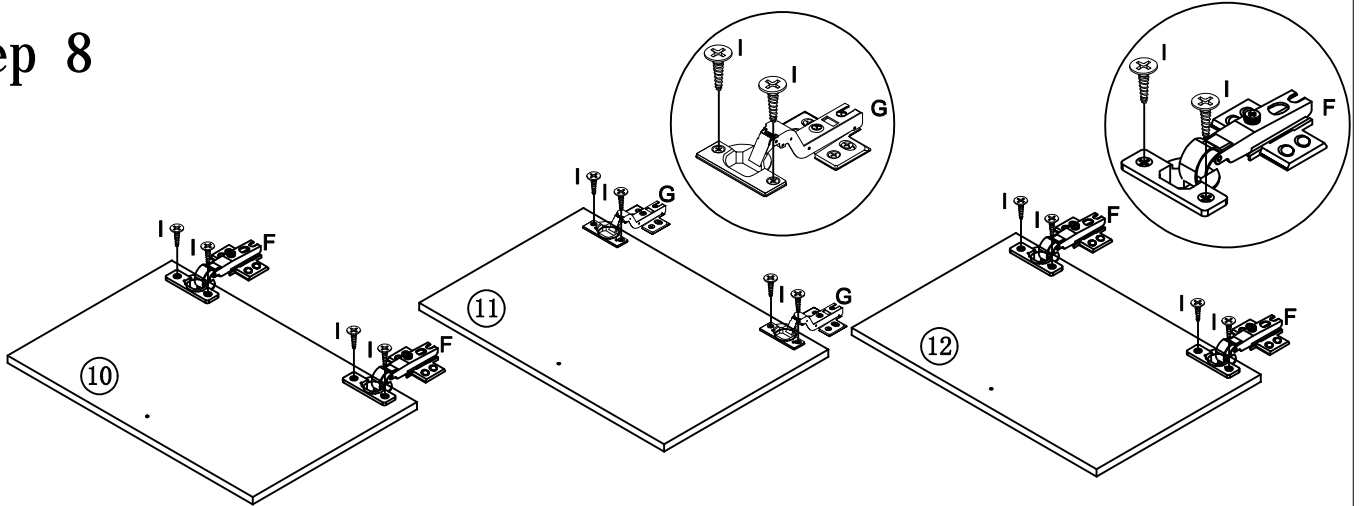
Insert the gap



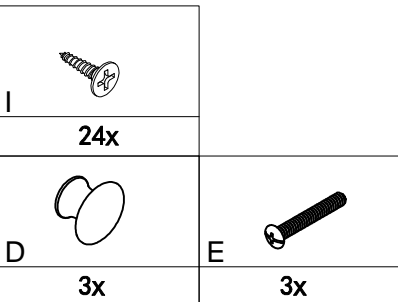
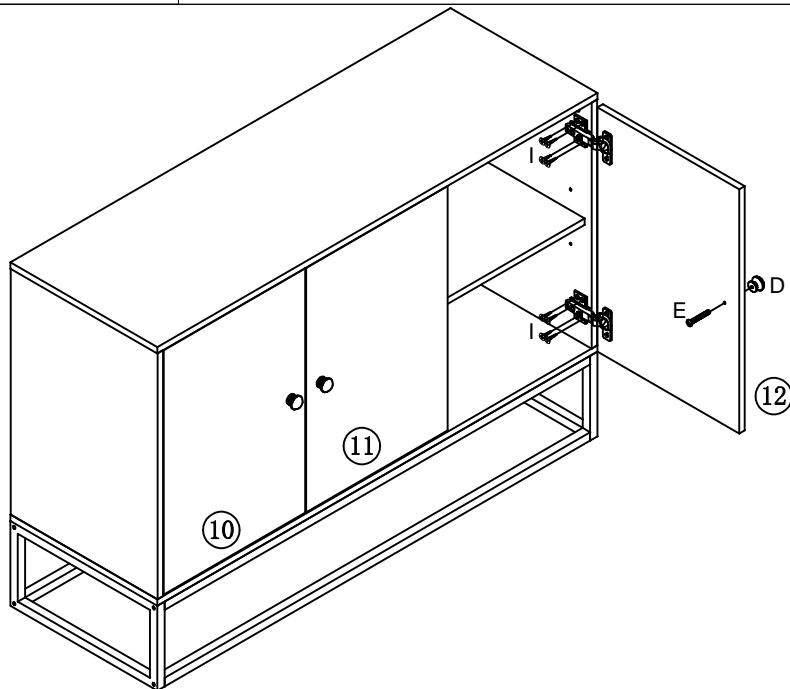
Step 7



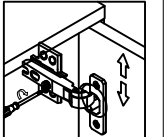
Step 8



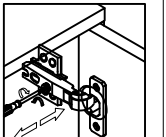
Step 9



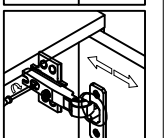
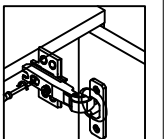
Height Adjustment



Internal Adjustment



Depth Adjustment



Step 10

