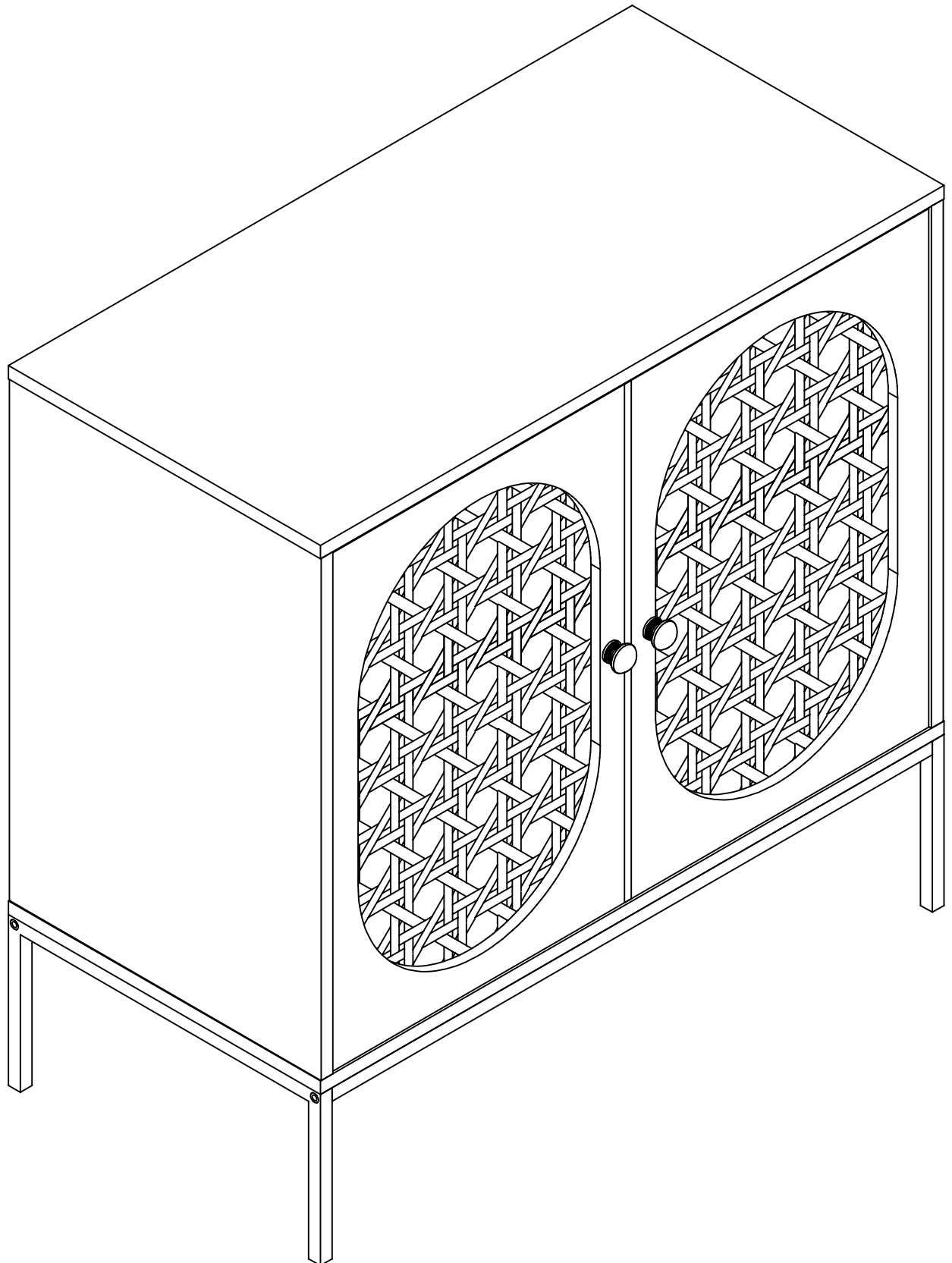
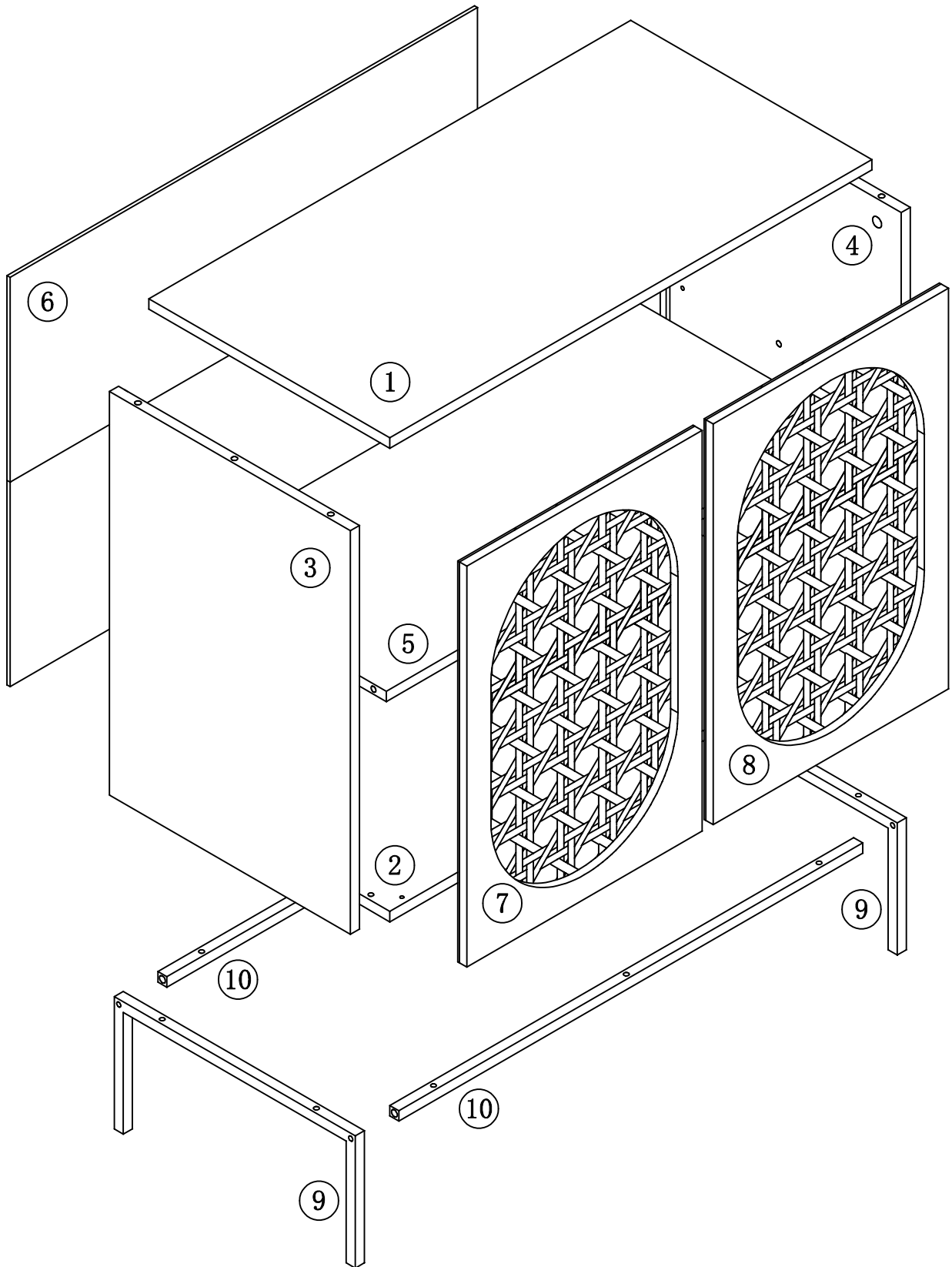
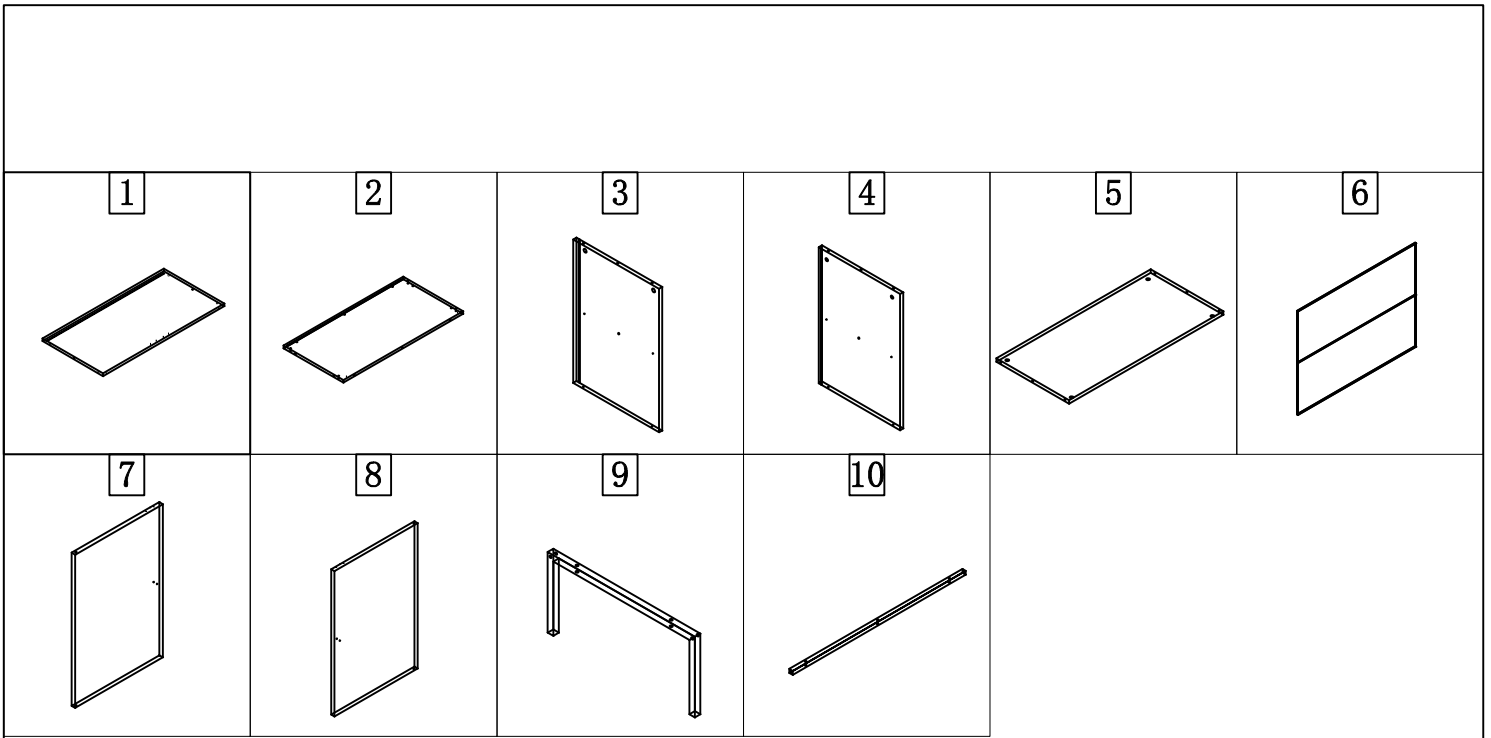
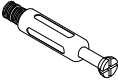

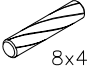


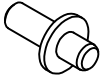
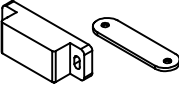
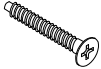

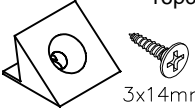





Assembly Instruction

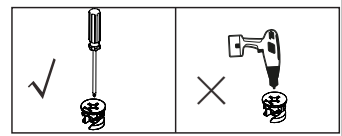
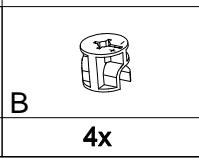
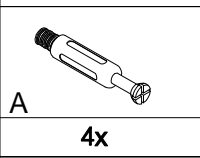
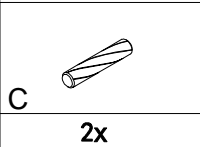
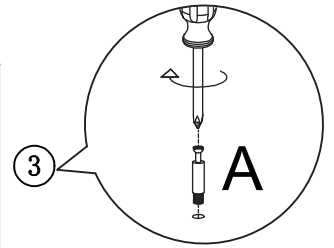
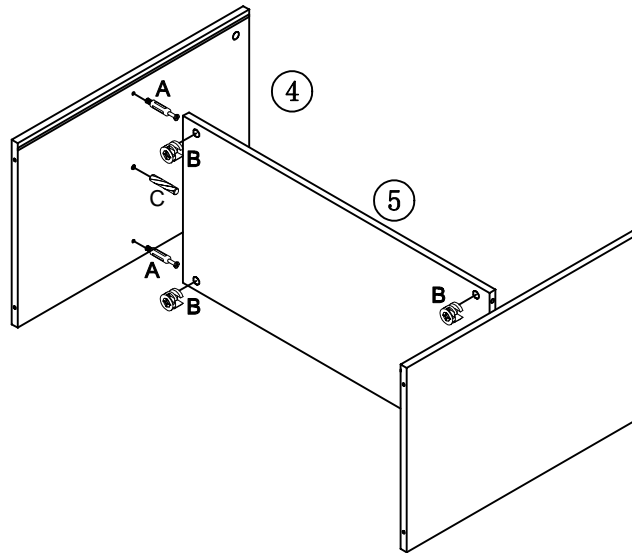




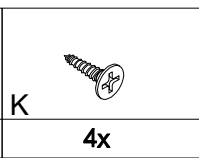
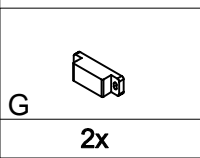
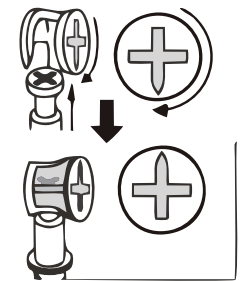
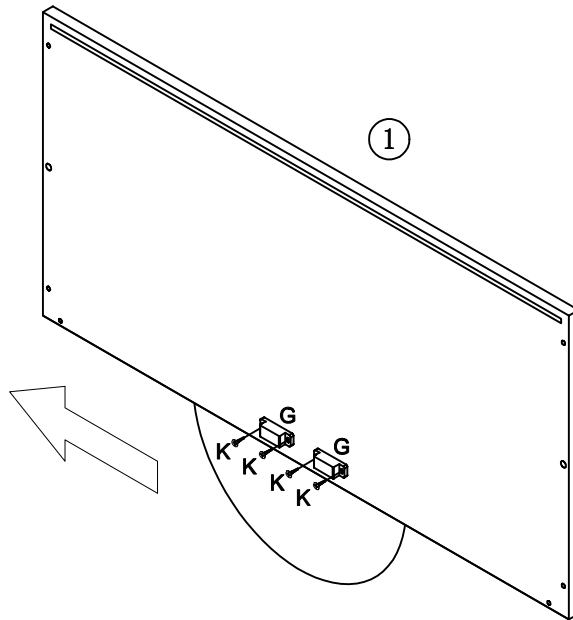
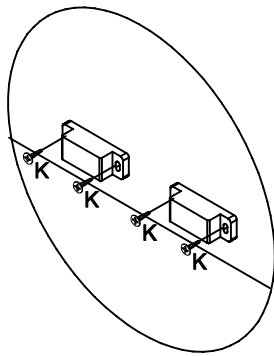


Cam Bolt 8pc  Ⓐ	Cam Nut 8pc  Ⓑ	Wood Plug 4pc 8x40mm  Ⓒ	Hangle 2pc  Ⓓ	Screw 2pc  Ⓔ	Turnstile 4pc  Ⓕ
Door stopper 2pc  Ⓖ	Screw 4pc 7x50mm  Ⓗ	Screw 14pc 6x35mm  Ⓘ	Back panel buckle set 16pc 3x14mm  Ⓙ	Screw 4pc 3x14mm  Ⓚ	Screw 4pc 3x12mm  Ⓛ
 2pc 3.5x14mm 3.5x35mm Ⓜ					

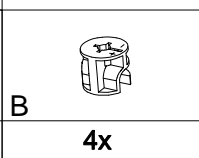
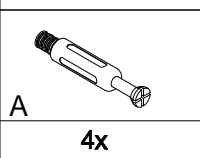
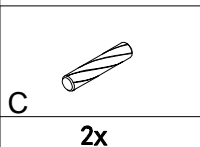
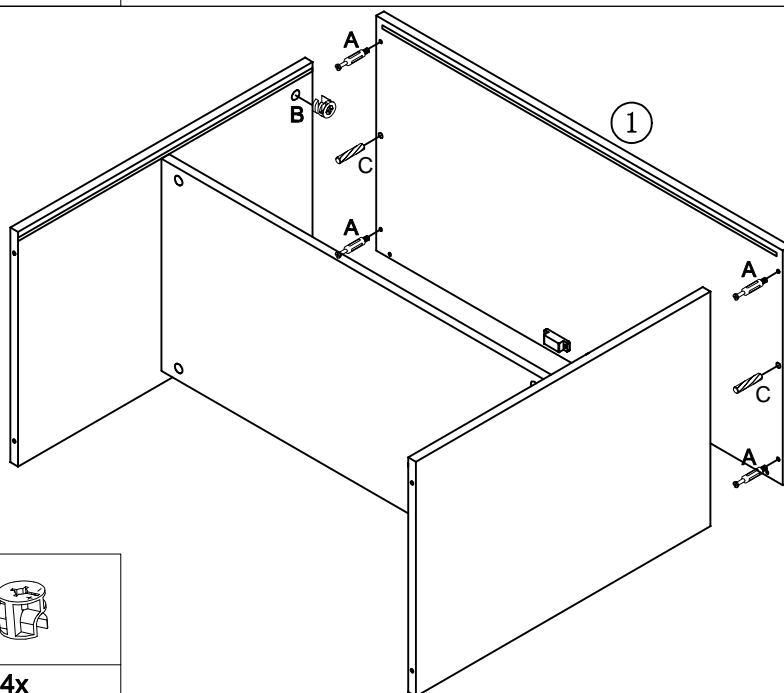
Step 1



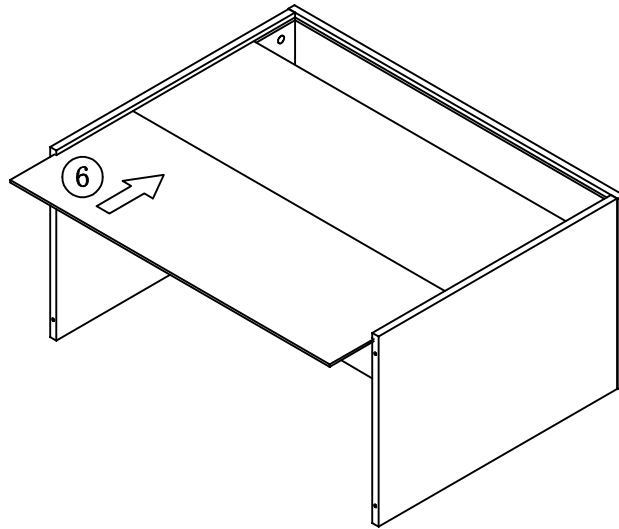
Step 2



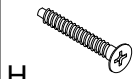
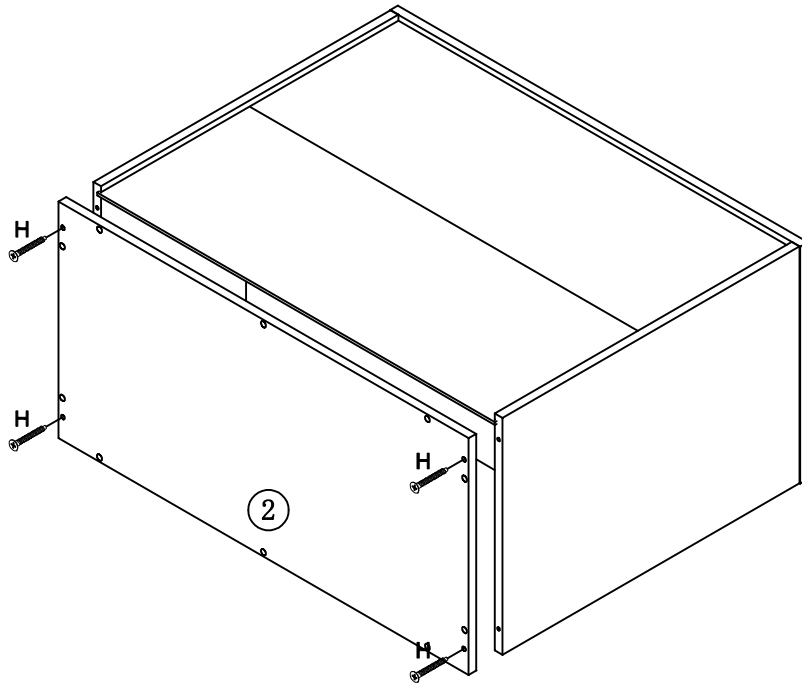
Step 3



Step 4



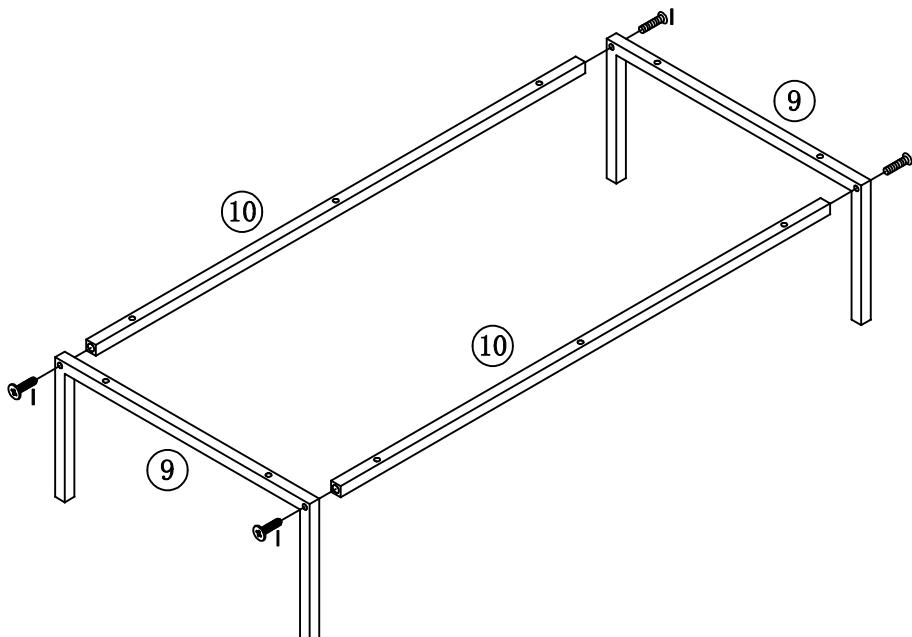
Step 5



H

4x

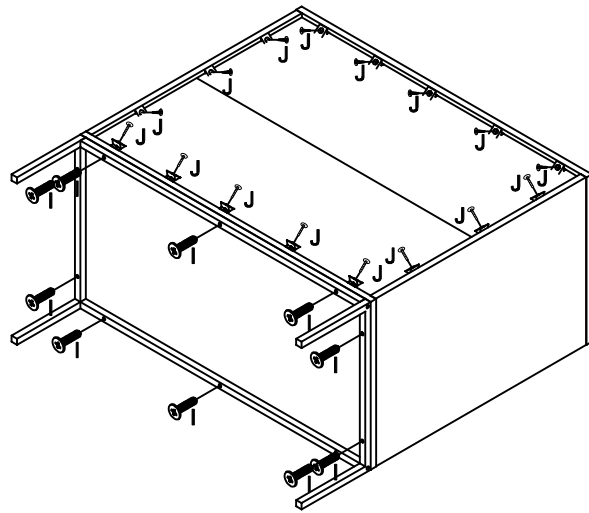
Step 6



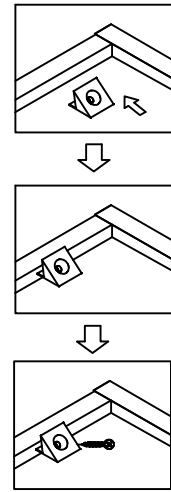
I


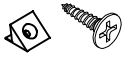
4x

Step 7

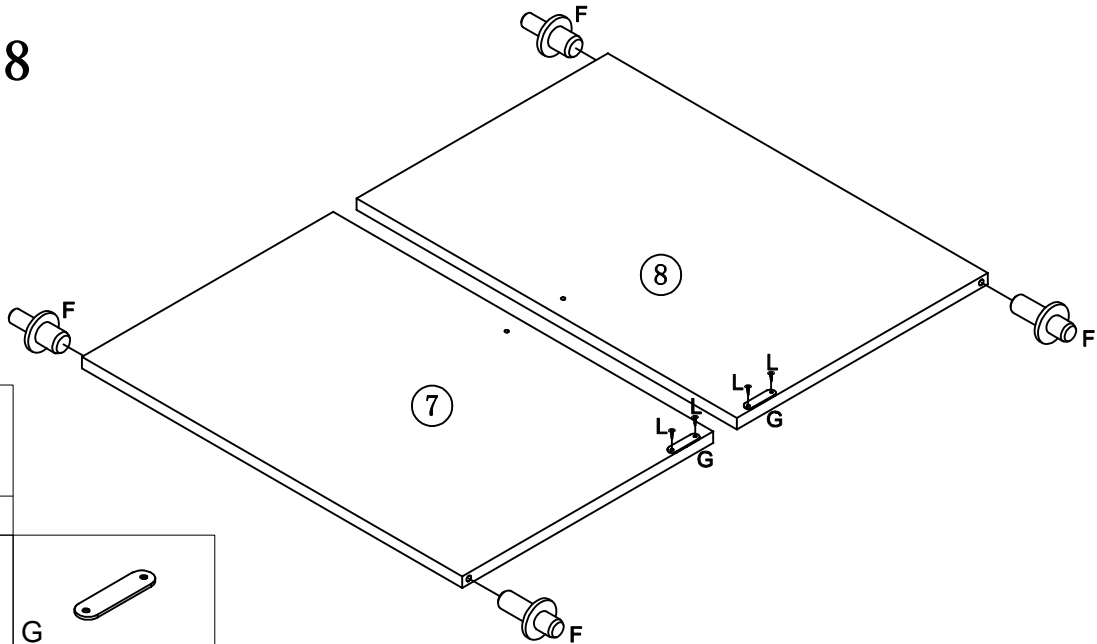



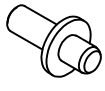

Insert the gap



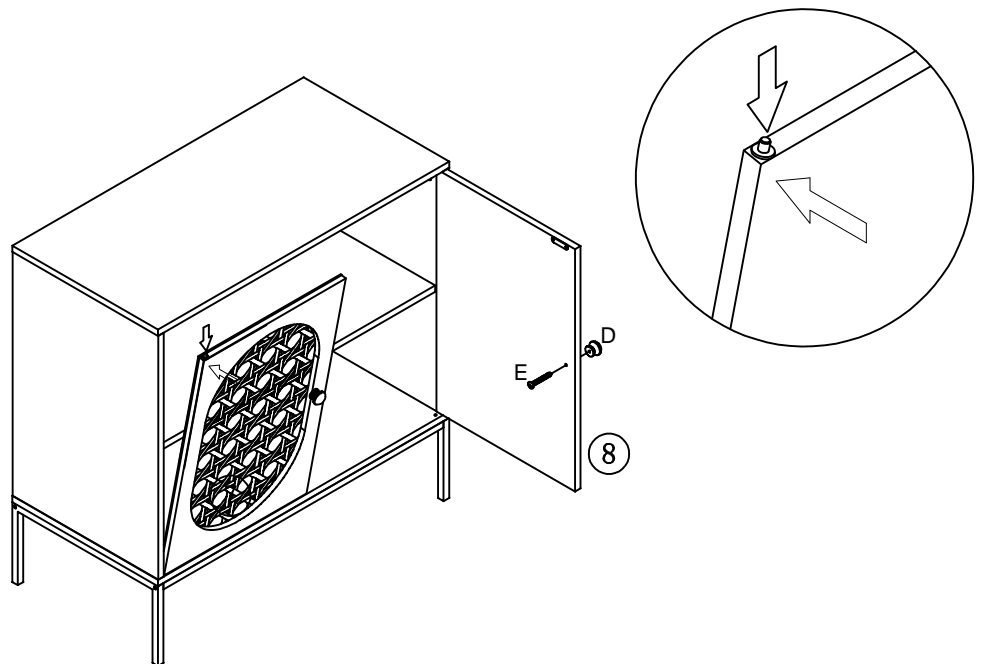
I		J	
	10x		16x



Step 8



L			
	4x		
F		G	
	4x		2x

Step 9



D		E	
	2x		2x

Step 10

