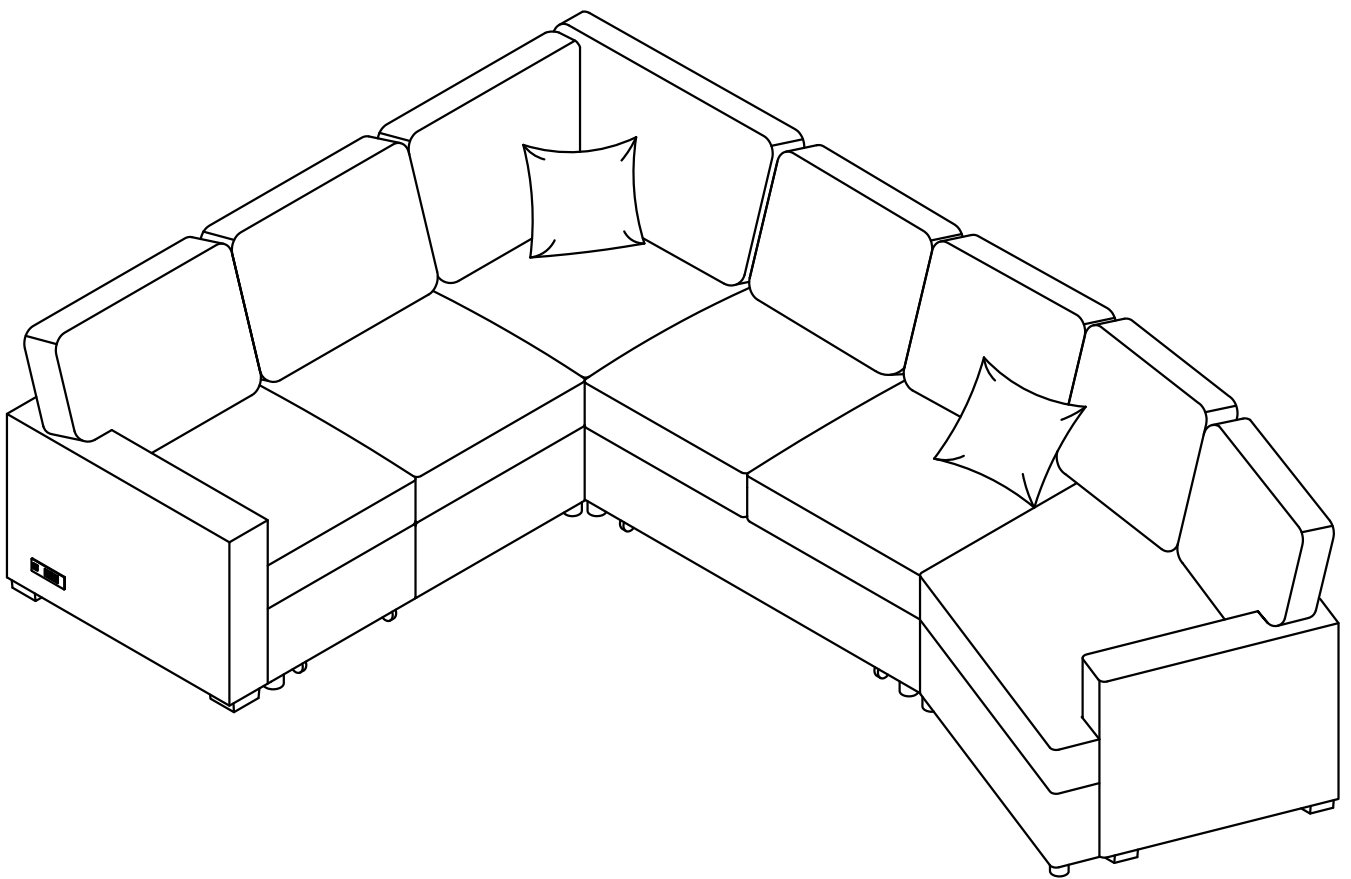







# ASSEMBLY INSTRUCTION







ITEM NO.:N719P175718-N719P175719-N719P175720-N719P175721-N719P175722



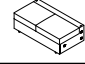


**N719P175718-COMPONENT LIST**

NO.	DRAWING	QTY	DESCRIPTION
B		1	Loveseat Body
R1		1	Right Chaise Backrest
K		1	Left Back Cushion
O		1	Back Cushion have The cup
I		4	Round legs


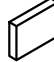





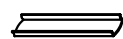

**N719P175719-COMPONENT LIST**

NO.	DRAWING	QTY	DESCRIPTION
D		1	Corner Frame
E		1	Short Corner Backrest
R2		1	Right Chaise Backrest
M		1	Long Corner Back Cushion
L		1	Short Corner Back Cushion
I		4	Round legs



**N719P175720-COMPONENT LIST**

NO.	DRAWING	QTY	DESCRIPTION
G		1	Loveseat Body
A		1	Left Arm
I		4	Round legs

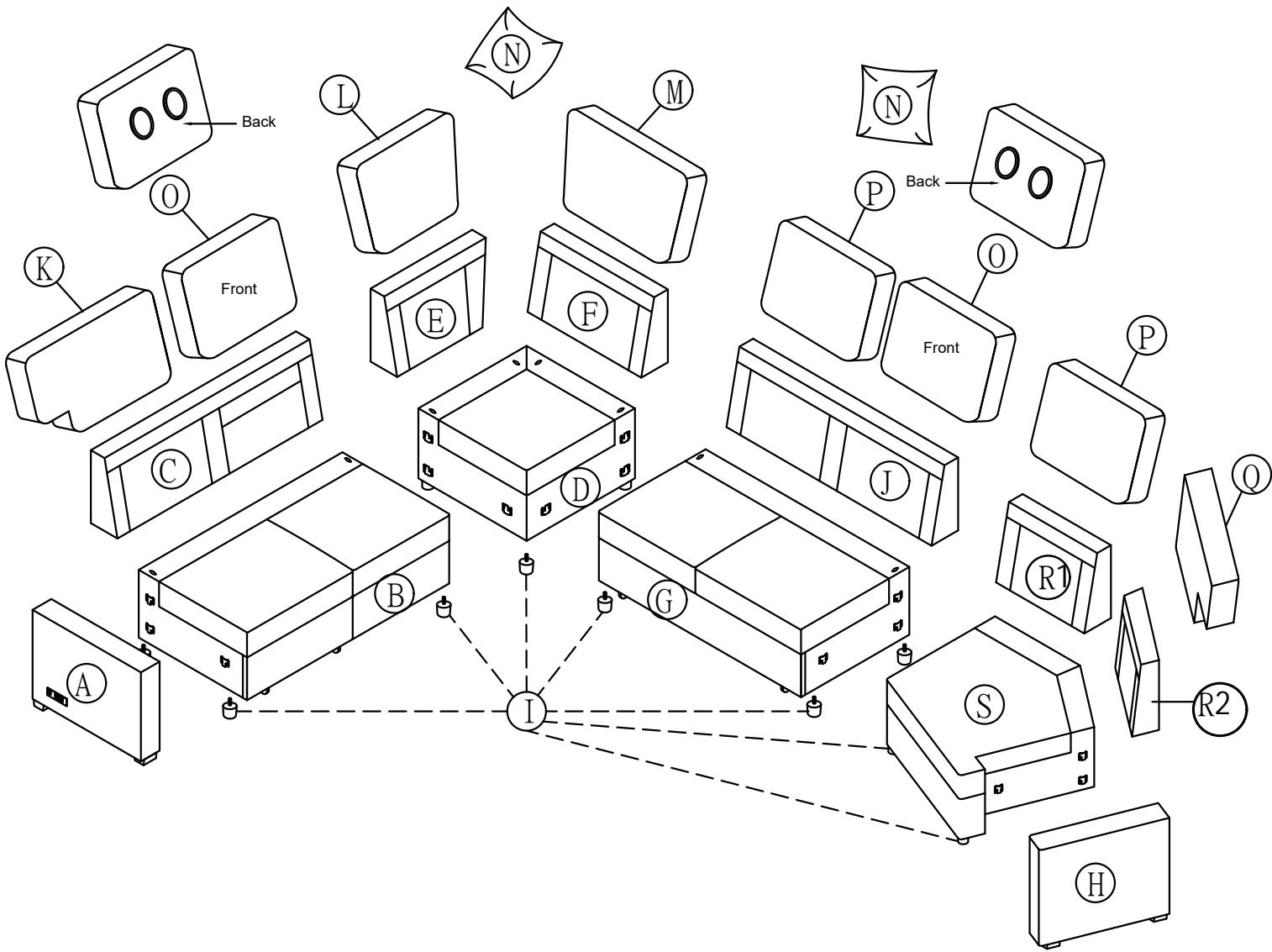
**N719P175721-COMPONENT LIST**

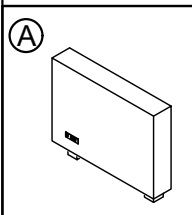
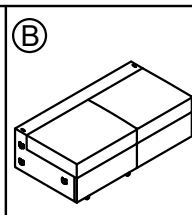
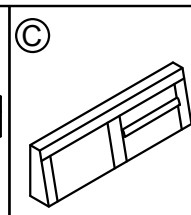
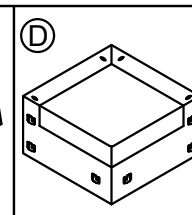
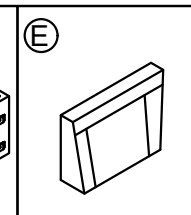
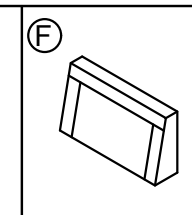
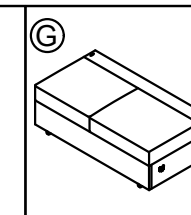
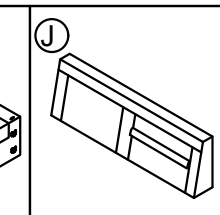
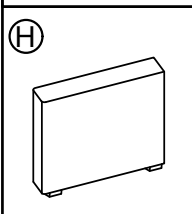
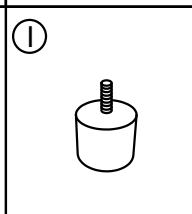
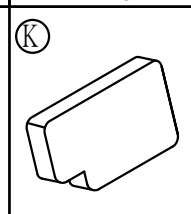
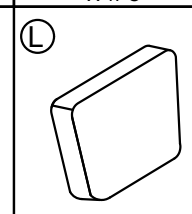
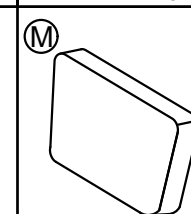
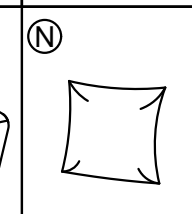
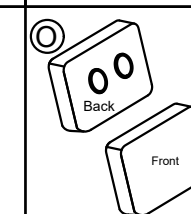
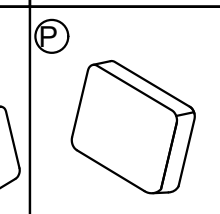
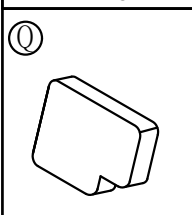
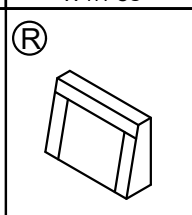
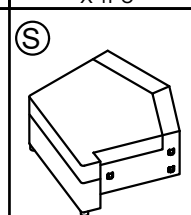
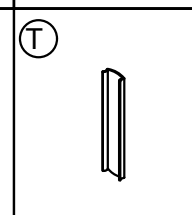
NO.	DRAWING	QTY	DESCRIPTION
S		1	Right Loveseat
H		1	Right Arm
O		1	Back Cushion have The cup
N		2	Pillow
Q		1	Right Back Cushion
P		2	Back Cushion
I		5	Round legs
T		12	Steel bar
F		1	Long Corner Backrest

**N719P175722-COMPONENT LIST**

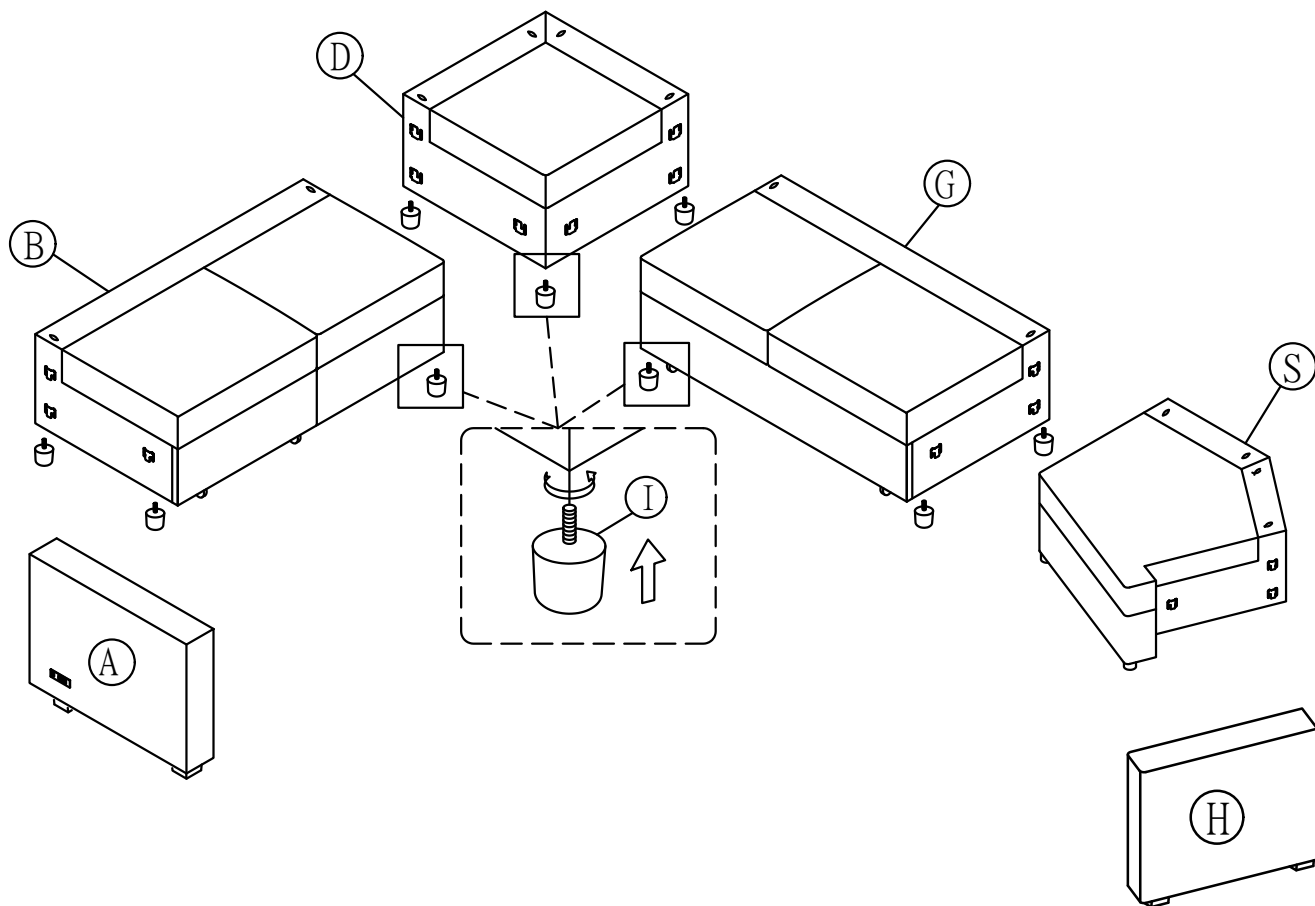
NO.	DRAWING	QTY	DESCRIPTION
C		1	Loveseat Backrest
J		1	Loveseat Backrest

# PARTS LIST

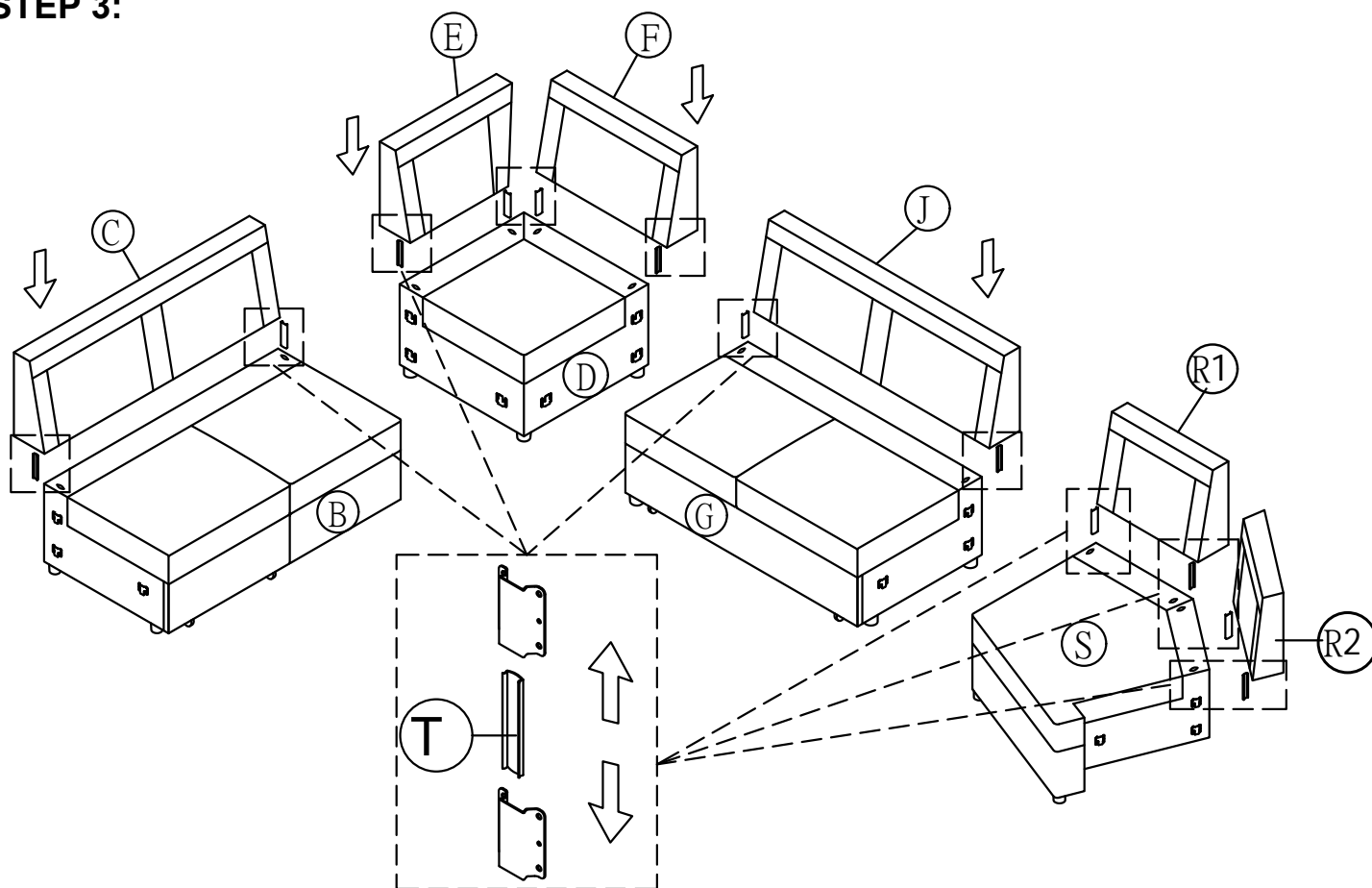


							
Left Arm X 1PC	Loveseat Body X 1PC	Loveseat Backrest X 1PC	Corner Frame X 1PC	Short Corner Backrest Backrest X 1PC	Long Corner Backrest X 1PC	Loveseat Body X 1PC	Loveseat Backrest X 1PC
							
Right Arm X 1PC	Round legs X 17PCS	Left Back Cushion X 1PC	Short Corner Back Cushion X 1PC	Long Corner Back Cushion X 1PC	Pillow X 2PCS	Back Cushion have The cup X 2PCS	Back Cushion X 2PCS
							
Right Back Cushion X 1PC	Right Chaise Backrest X 2 PCS	Right Chaise X 1PC	Steel bar X 12PCS				

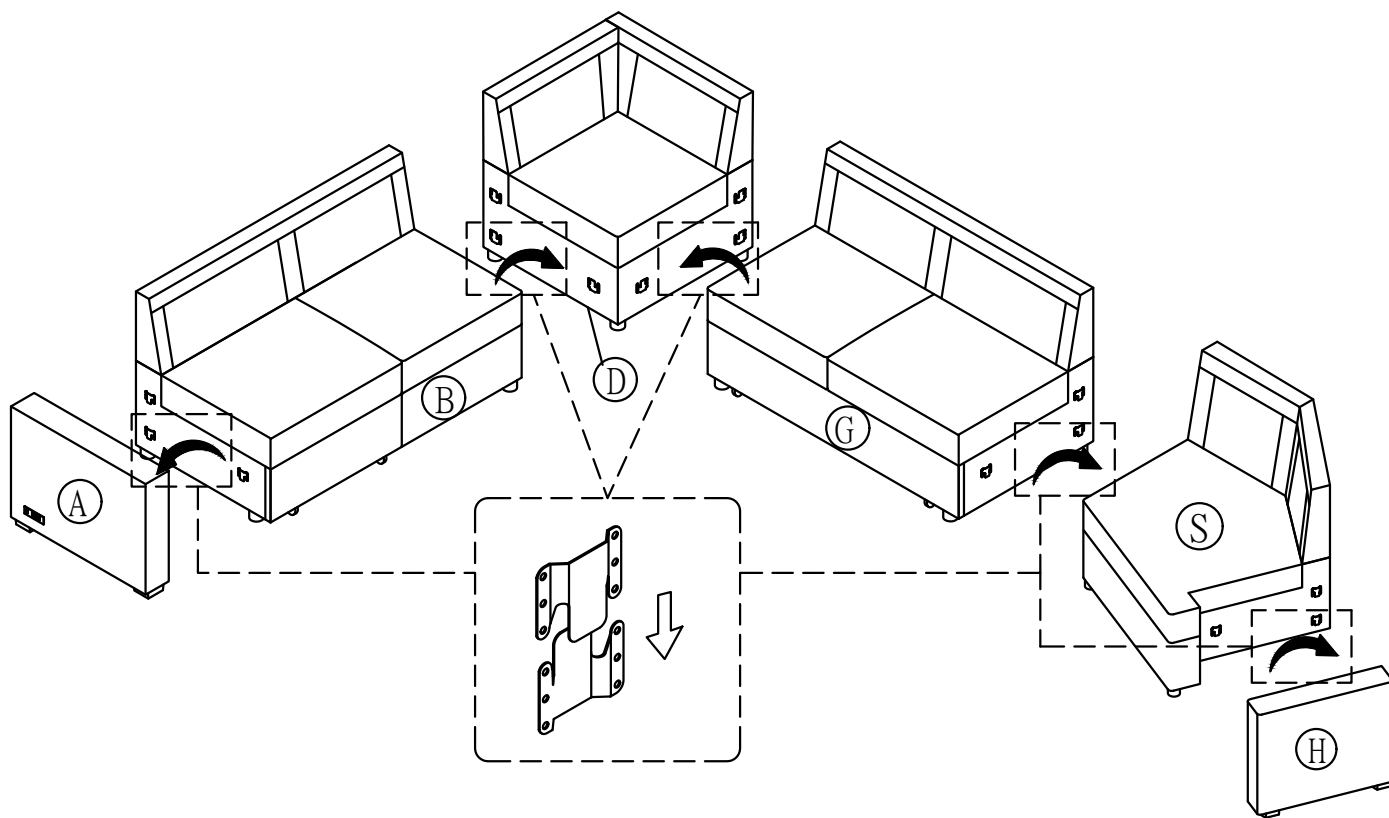
**STEP 1:**



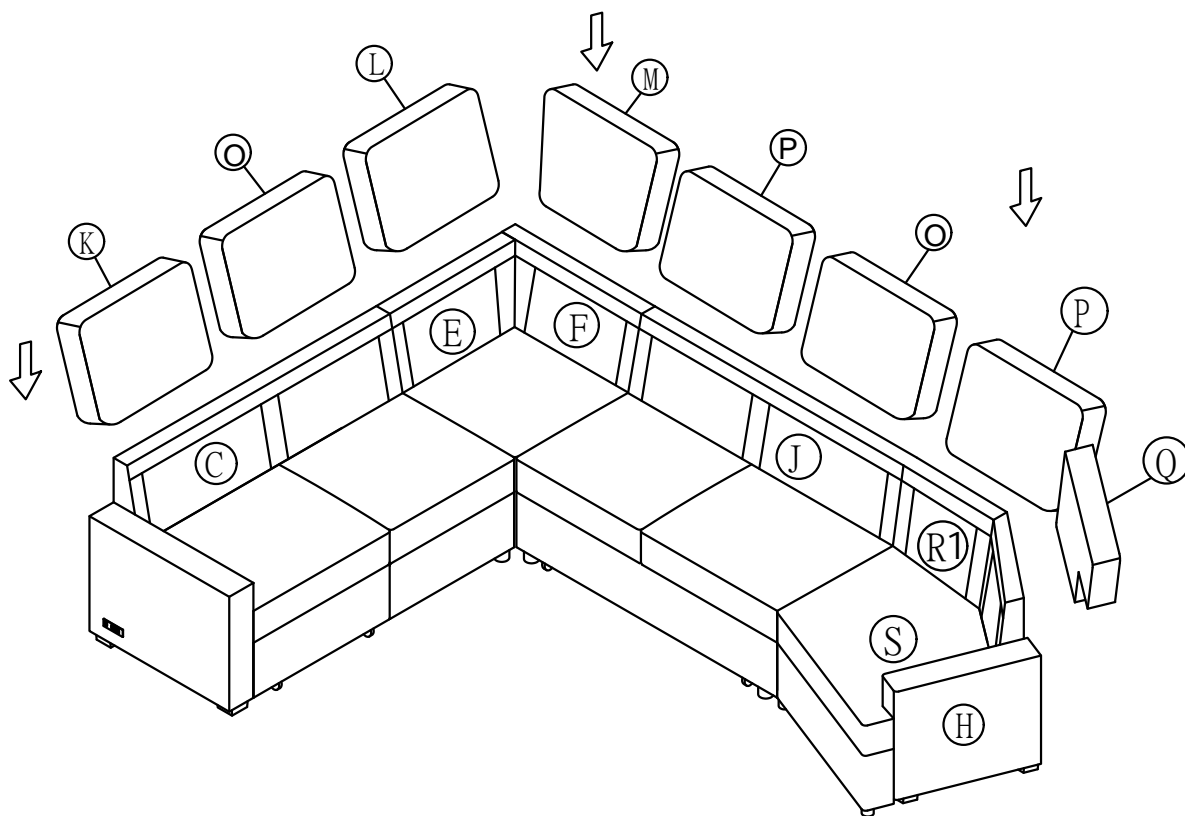
**STEP 3:**



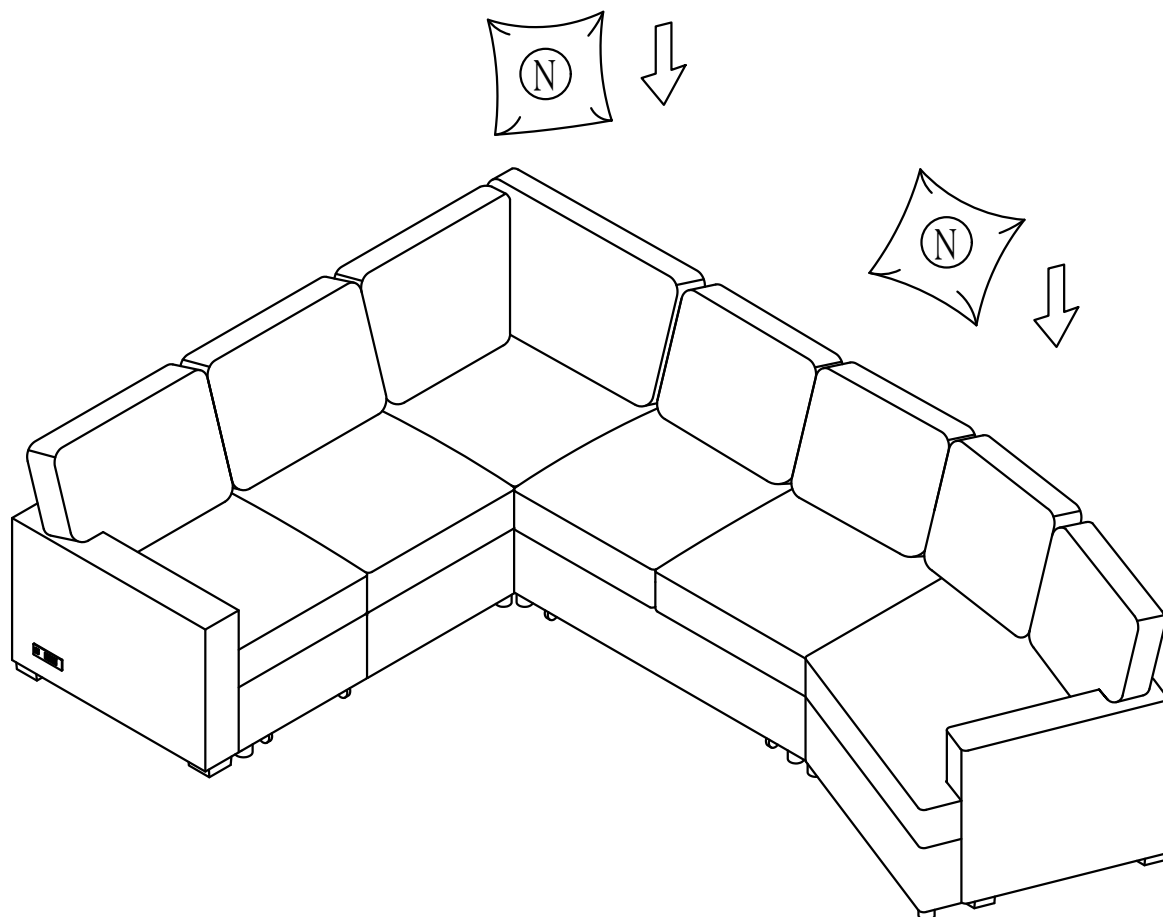
**STEP 4:**



**STEP 5:**

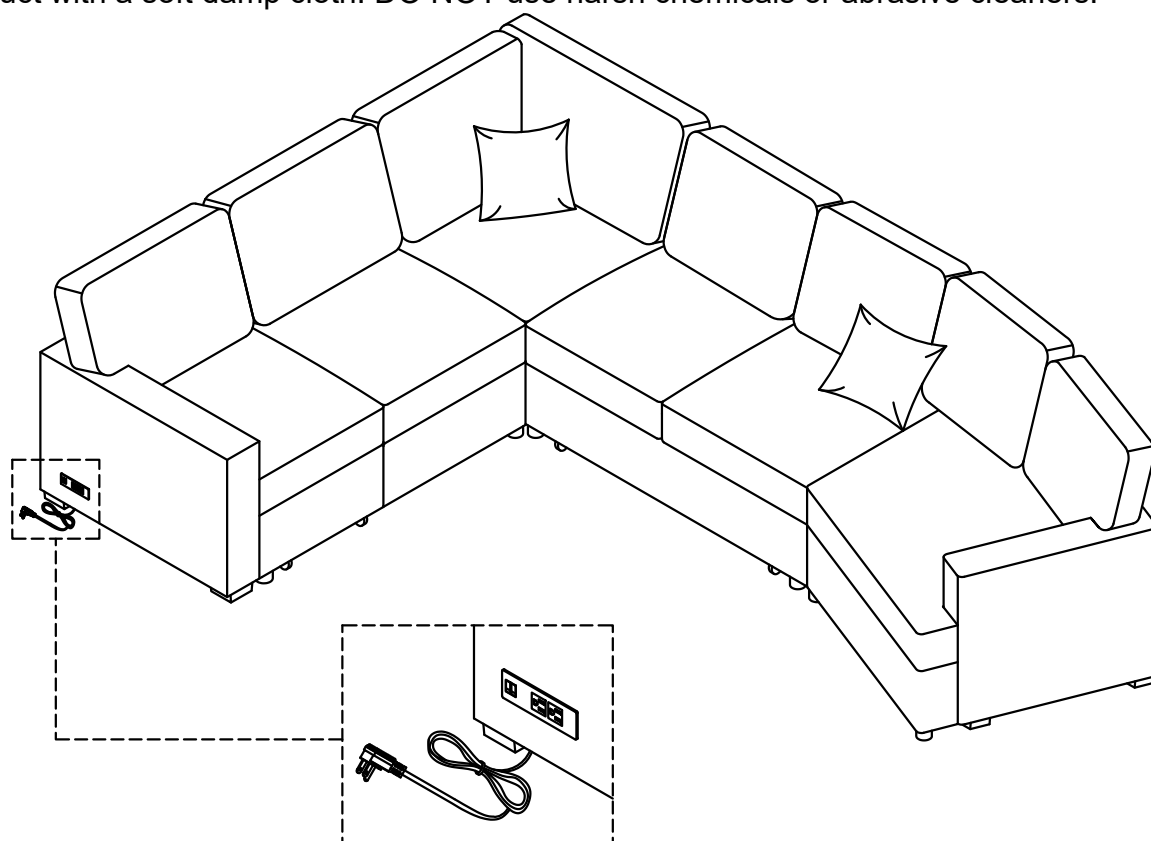


## STEP 6:



## Helpful Hints

- Sectional sofa can transform into a sleeper
- Move your new furniture carefully, with two people lifting and carrying the unit to its new location.
- Your furniture can be disassembled and reassembled to move.
- Clean the product with a soft damp cloth. DO NOT use harsh chemicals or abrasive cleaners.



**COMPLETE**

