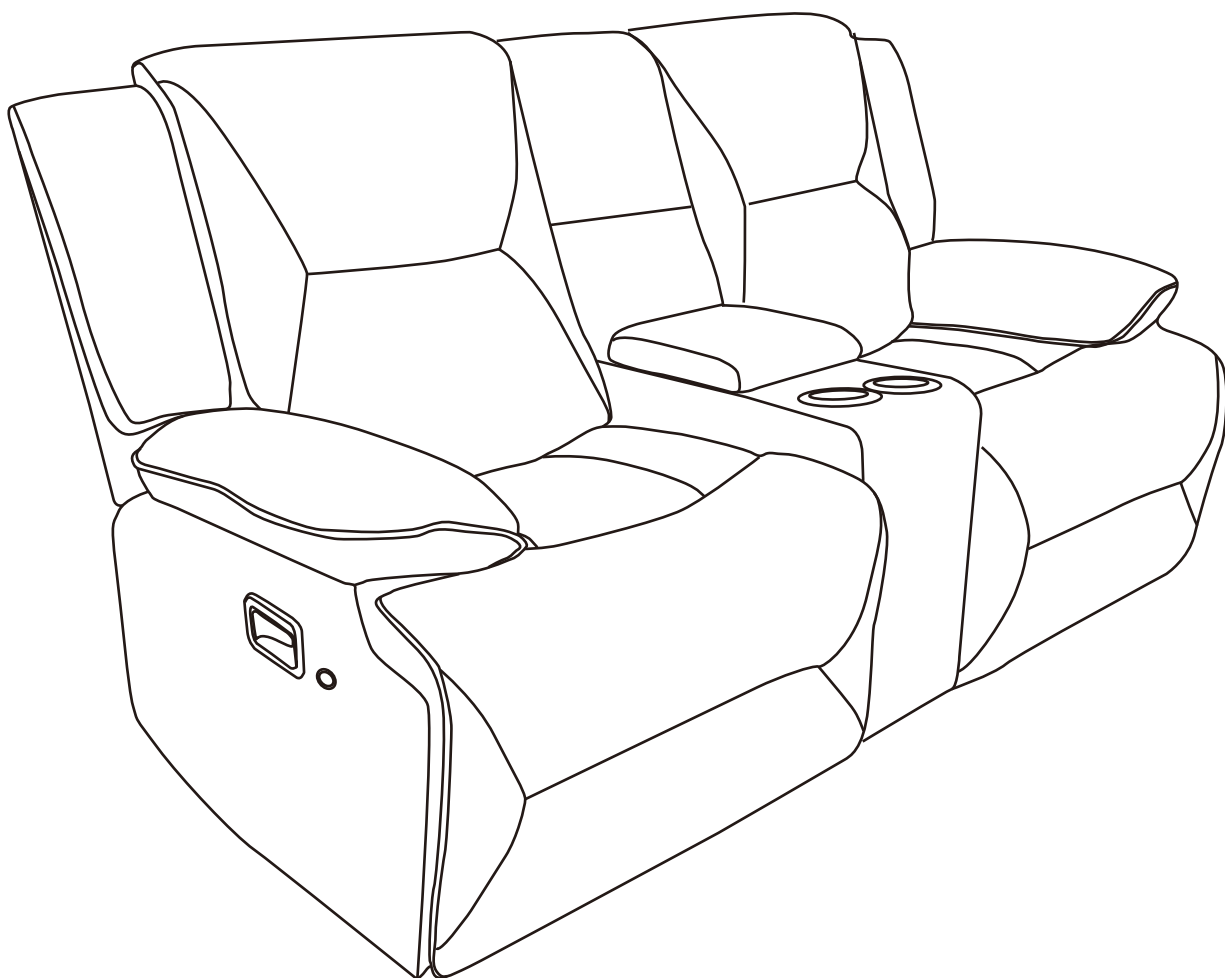


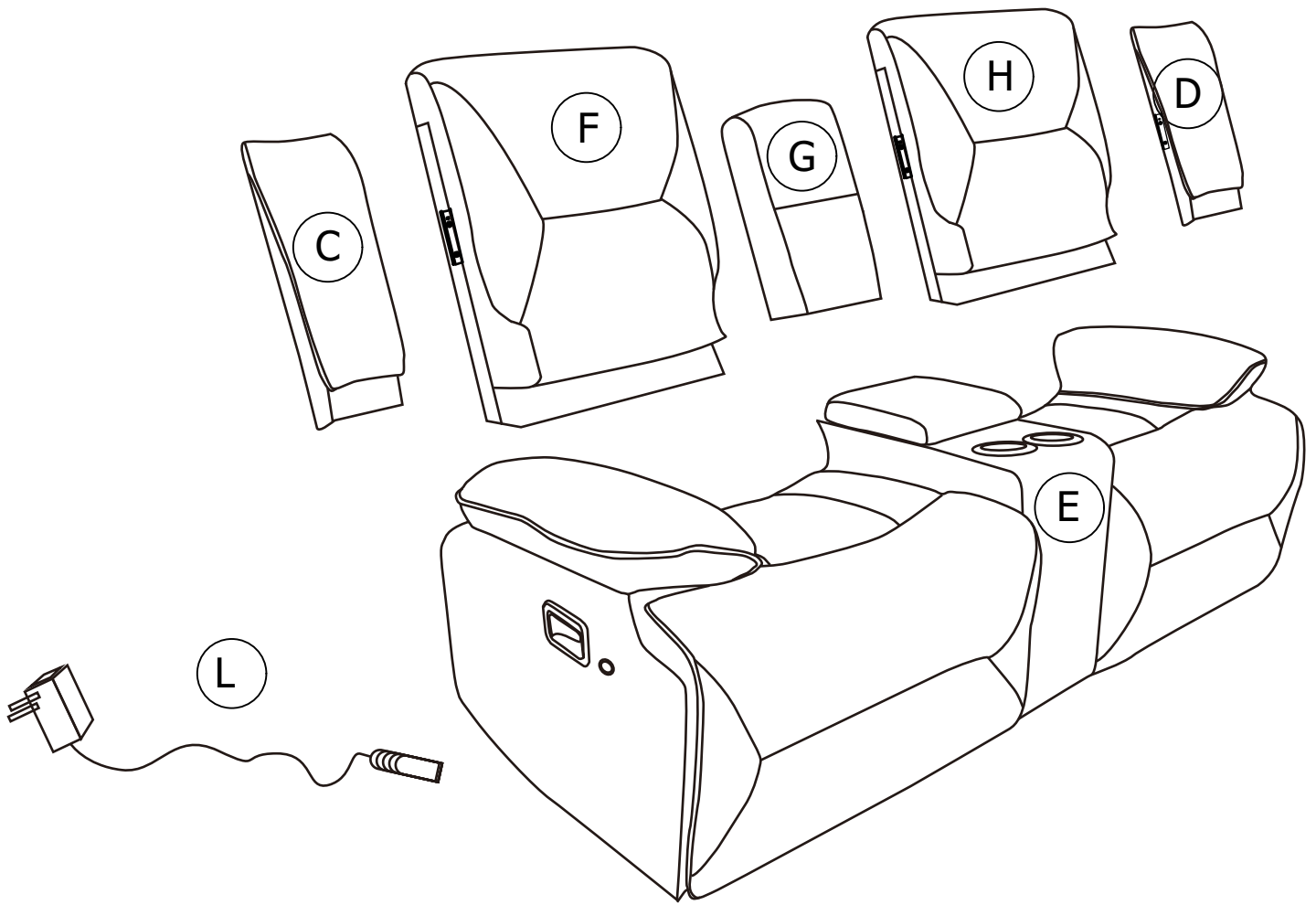
ASSEMBLY INSTRUCTION

WF323622

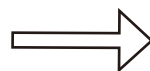
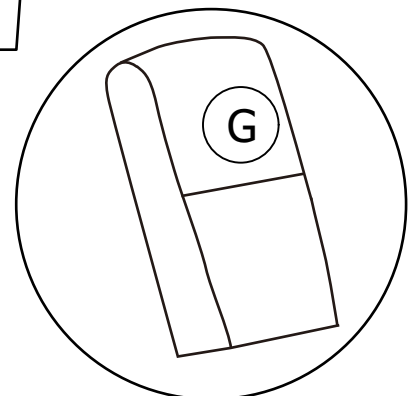
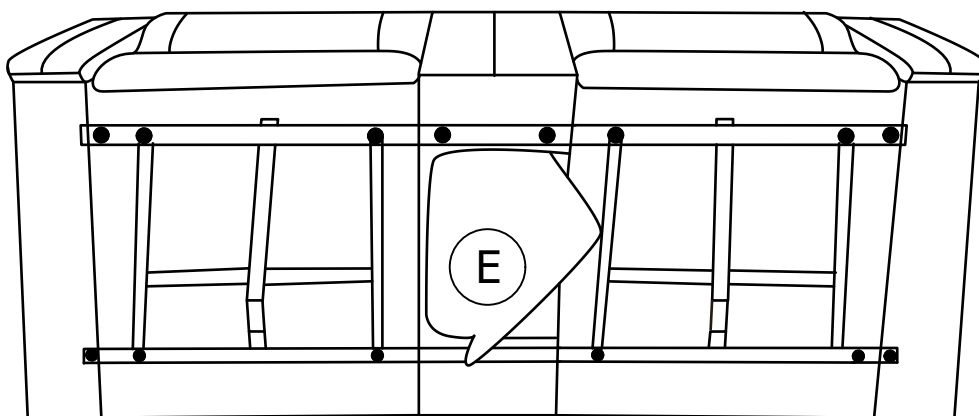


ASSEMBLY INSTRUCTION

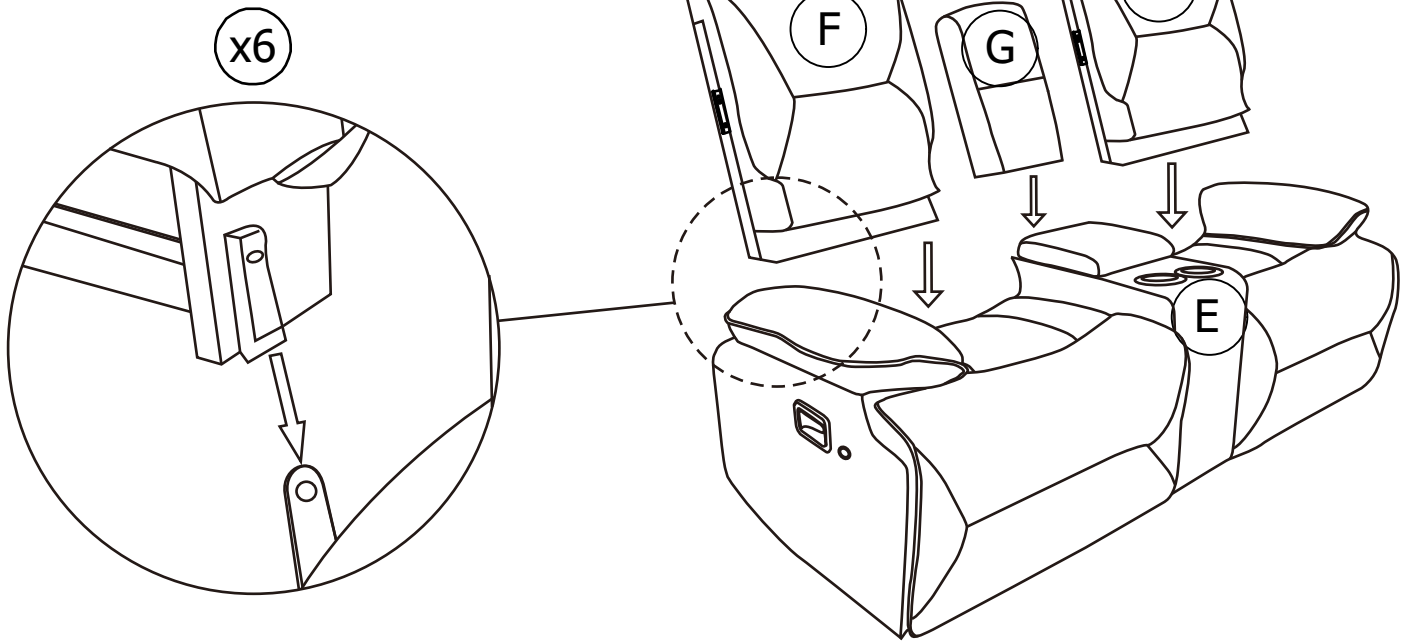
PARTS LIST



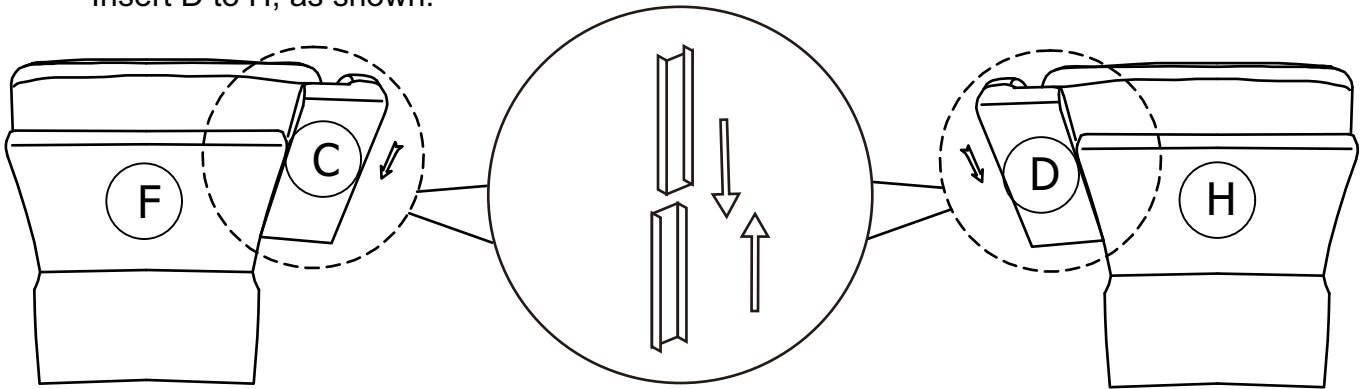
STEP 1: Take **G** out of the bottom of **E**, as shown.



STEP 2: Insert F, G, H to E, as shown.



STEP 3: Insert C to F, as shown.
Insert D to H, as shown.



STEP 4: Insert L and sofa, as shown.
The switch controls the light under the seat.

