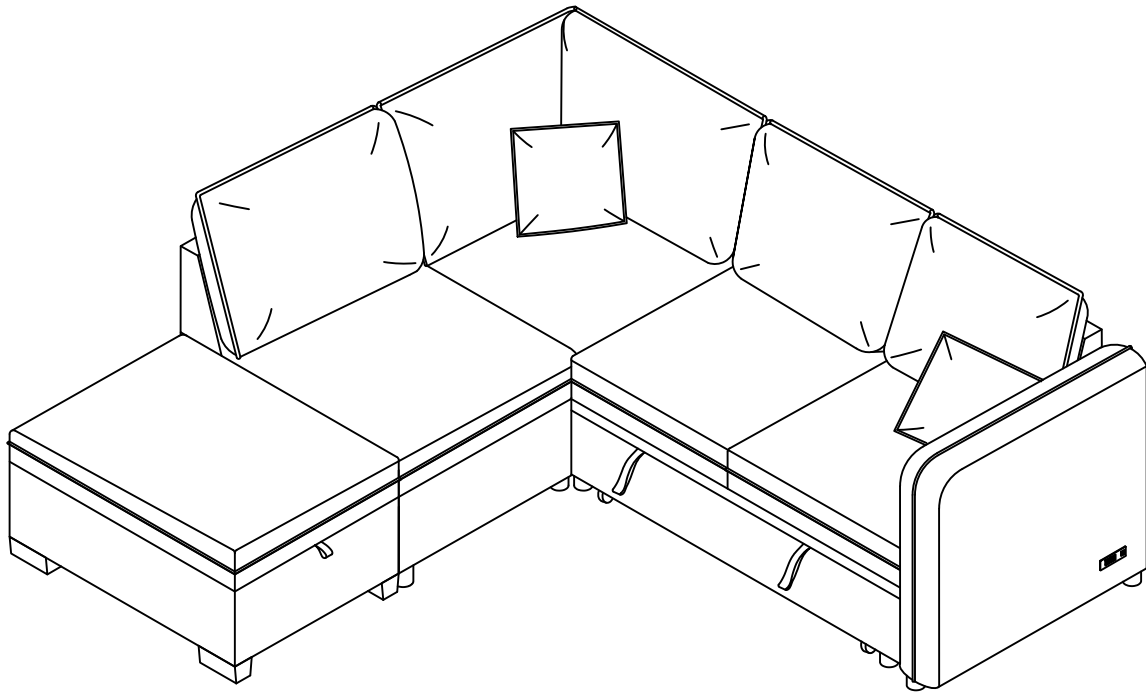
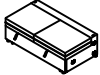



ASSEMBLY INSTRUCTION

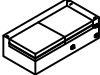
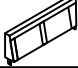
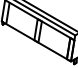
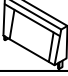





ITEM NO.: WF326252 -WF326253-WF326254





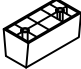


WF326253-COMPONENT LIST

NO.	DRAWING	QTY	DESCRIPTION
D		1	Loveseat Body
C		1	Arm

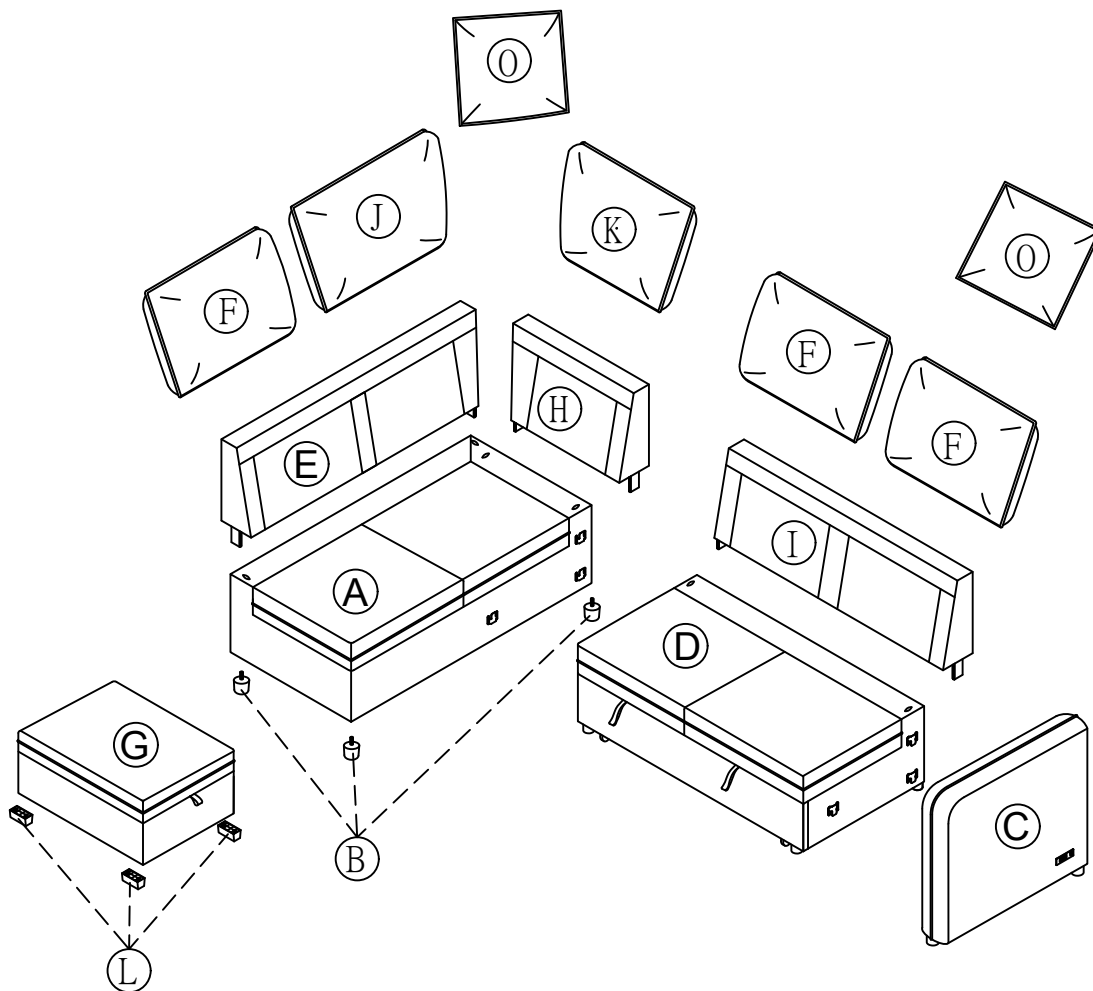
WF326252-COMPONENT LIST

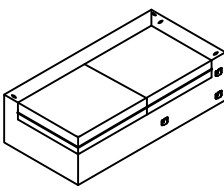
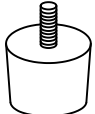
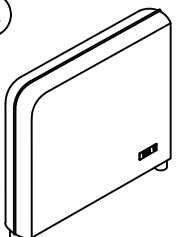
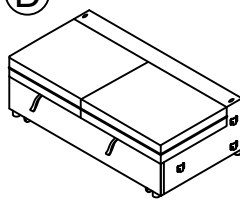
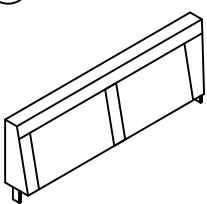
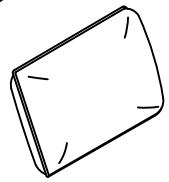
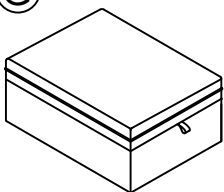
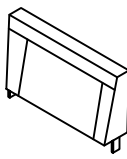
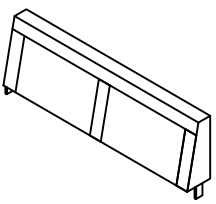
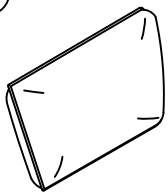

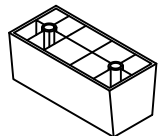


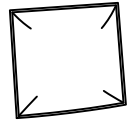
NO.	DRAWING	QTY	DESCRIPTION
A		1	Loveseat Body
E		1	Loveseat Backrest
I		1	Loveseat Backrest
H		1	Corner Backrest
O		2	Pillows
J		1	Long Corner Back Cushion
K		1	Short Corner Back Cushion
B		4	Round legs
F		1	Back Cushion

WF326254-COMPONENT LIST

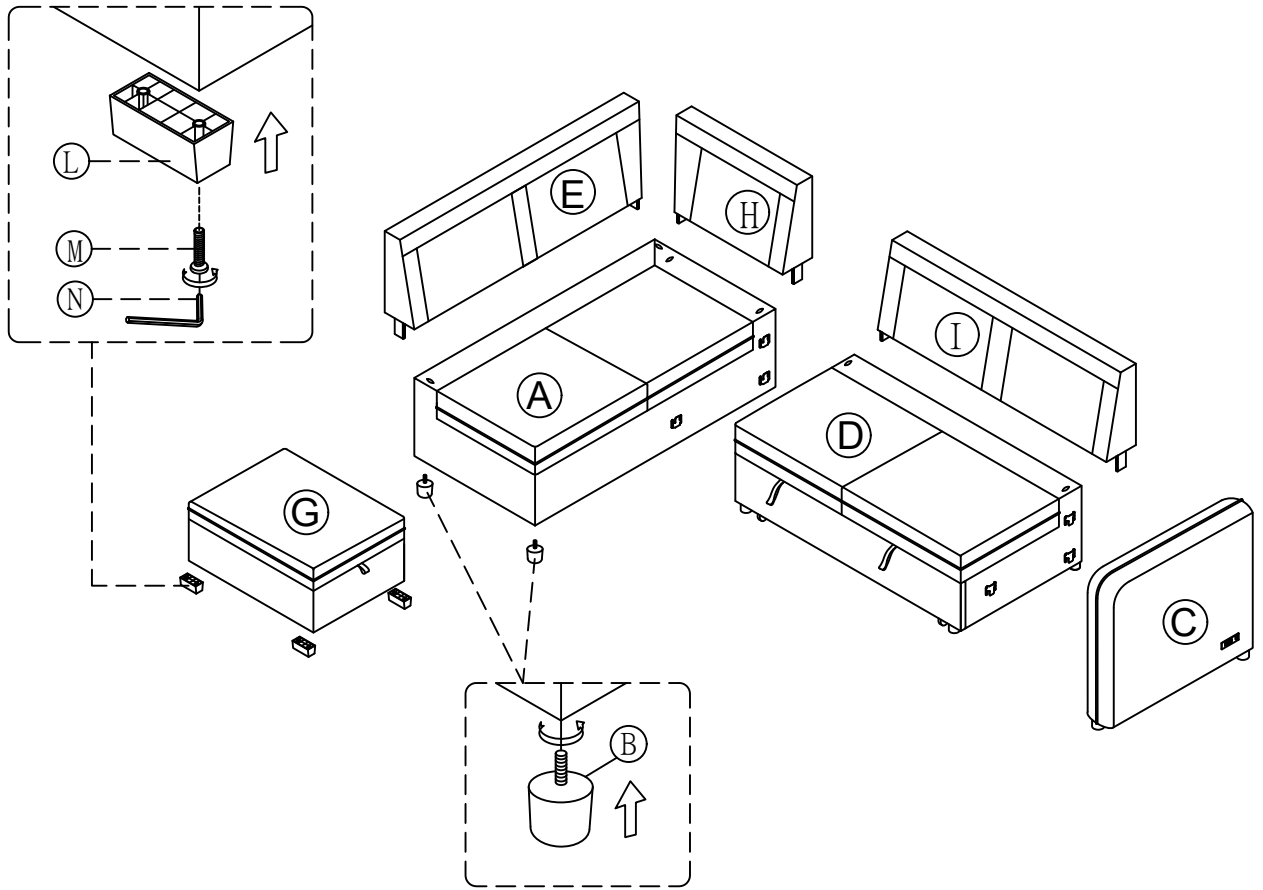
NO.	DRAWING	QTY	DESCRIPTION
G		1	Ottoman
F		2	Back Cushion
L		4	Square Legs
M		8	Bolt
N		1	Allen key

PARTS LIST

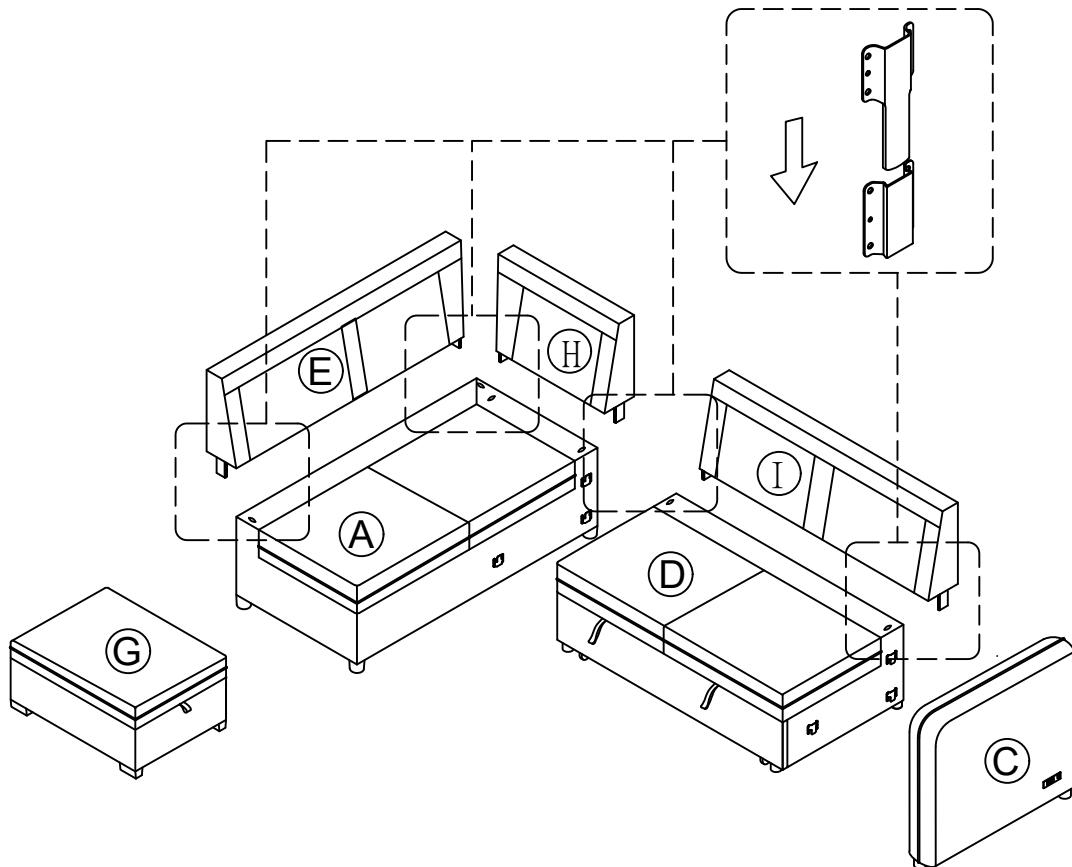


<p>(A)</p>  <p>Loveseat Body X 1PC</p>	<p>(B)</p>  <p>Round legs X 4PCS</p>	<p>(C)</p>  <p>Arm X 1PC</p>	<p>(D)</p>  <p>Loveseat Body X 1PC</p>	<p>(E)</p>  <p>Loveseat Backrest X 1PC</p>	<p>(F)</p>  <p>Back Cushion X 3PCS</p>
<p>(G)</p>  <p>Ottoman X 1PC</p>	<p>(H)</p>  <p>Corner Backrest X 1PC</p>	<p>(I)</p>  <p>Loveseat Backrest X 1PC</p>	<p>(J)</p>  <p>Long Corner Back Cushion X 1PC</p>	<p>(K)</p>  <p>Short Corner Back Cushion X 1PC</p>	<p>(L)</p>  <p>Square Leg X 4PCS</p>
<p>(M)</p>  <p>Bolt Ø5/16"x40MM X 8 PCS</p>	<p>(N)</p>  <p>Allen key X 1PC</p>	<p>(O)</p>  <p>Pillow X 2PCS</p>			
					<p>Page 3 of 6</p>

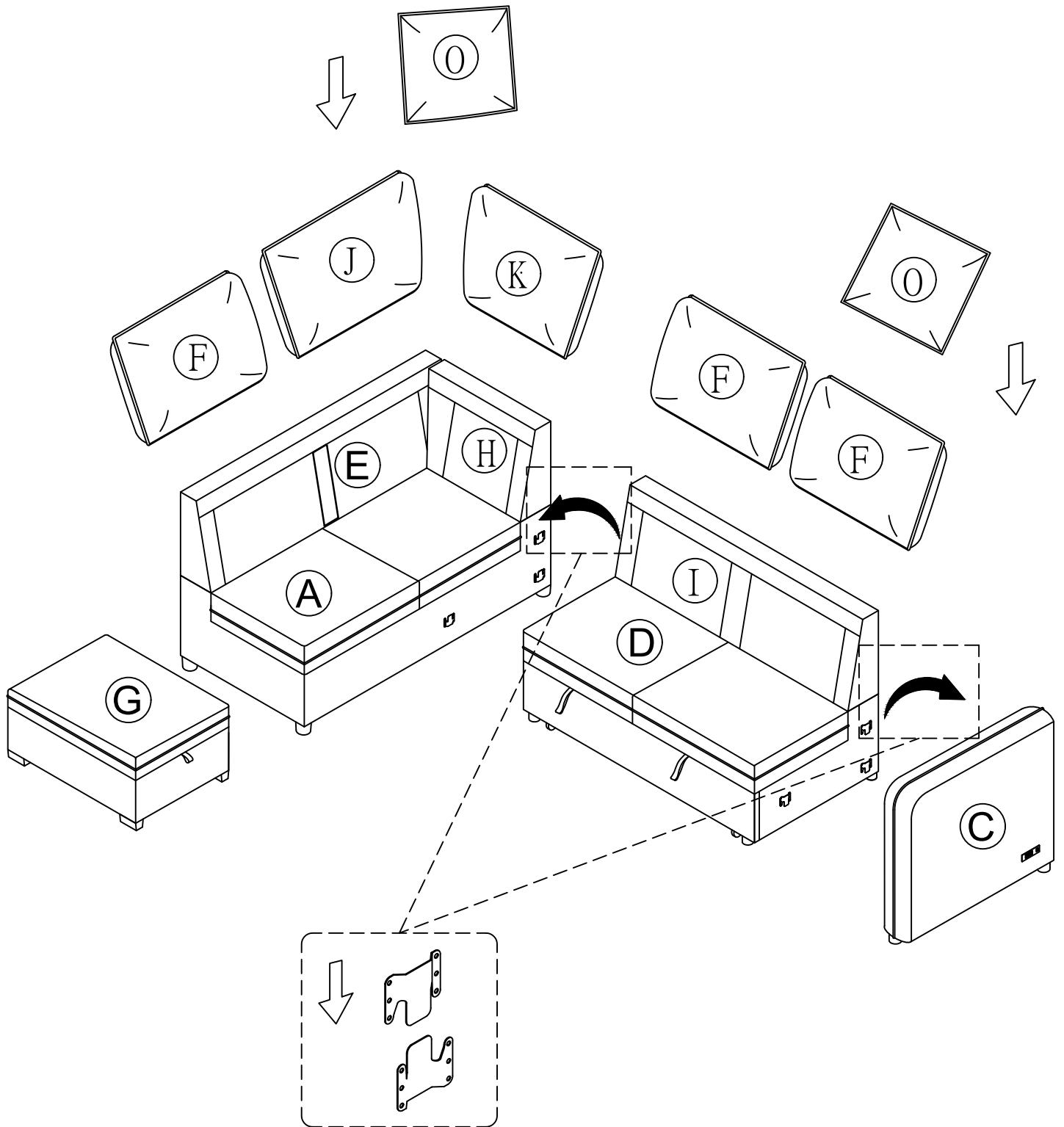
STEP 1:



STEP 2:



STEP 3:



Helpful Hints

- Sectional sofa can transform into a sleeper
- Move your new furniture carefully, with two people lifting and carrying the unit to its new location.
- Your furniture can be disassembled and reassembled to move.
- Clean the product with a soft damp cloth. **DO NOT** use harsh chemicals or abrasive cleaners.

COMPLETED

