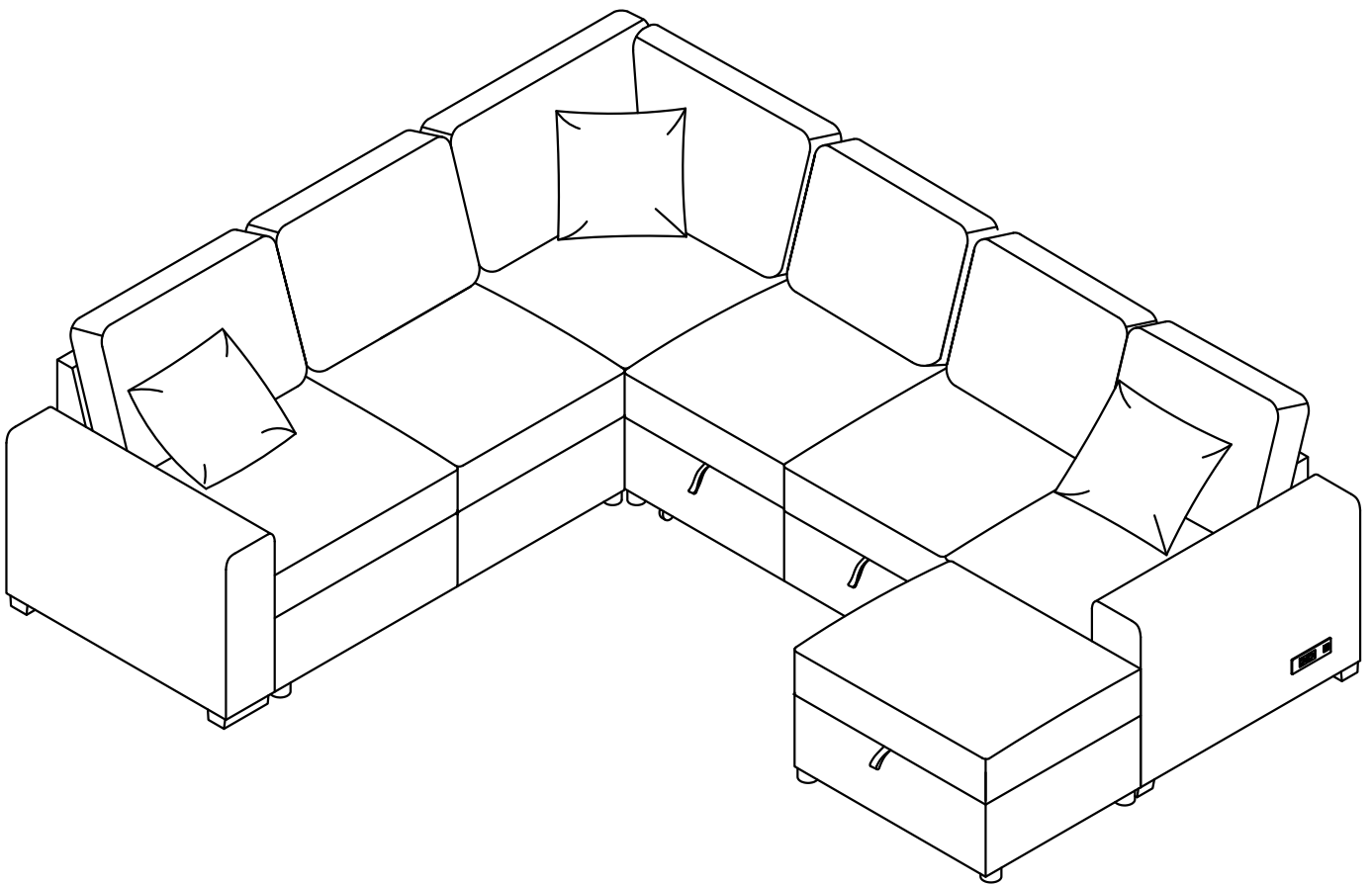








# ASSEMBLY INSTRUCTION




ITEM NO.: N719P171741-N719P171742-N719P171743-N719P171745-N719P171746-N719P171747






**N719P171741-COMPONENT LIST**

NO.	DRAWING	QTY	DESCRIPTION
M		1	Single Body
I		1	Short Corner Backrest
L		1	Short Corner Back Cushion
K		1	Long Corner Back Cushion
O		1	Pillows
B		4	Round legs










**N719P171742-COMPONENT LIST**

NO.	DRAWING	QTY	DESCRIPTION
D		1	Loveseat Body
T1-T2		4	Single Seat cushion
B		4	Round legs





**N719P171743-COMPONENT LIST**

NO.	DRAWING	QTY	DESCRIPTION
H+ T3		1	Corner Frame & Single seat cushion
T4		1	Single seat cushion
B		4	Round legs



**N719P171745-COMPONENT LIST**

NO.	DRAWING	QTY	DESCRIPTION
A		1	Loveseat Body
J		1	Long Corner Backrest
E		1	Chaise Backrest
F		1	Back Cushion
N		2	Loveseat Backrest
Q		4	Square Leg
R		8	Bolt
S		1	Allen key
B		4	Round legs

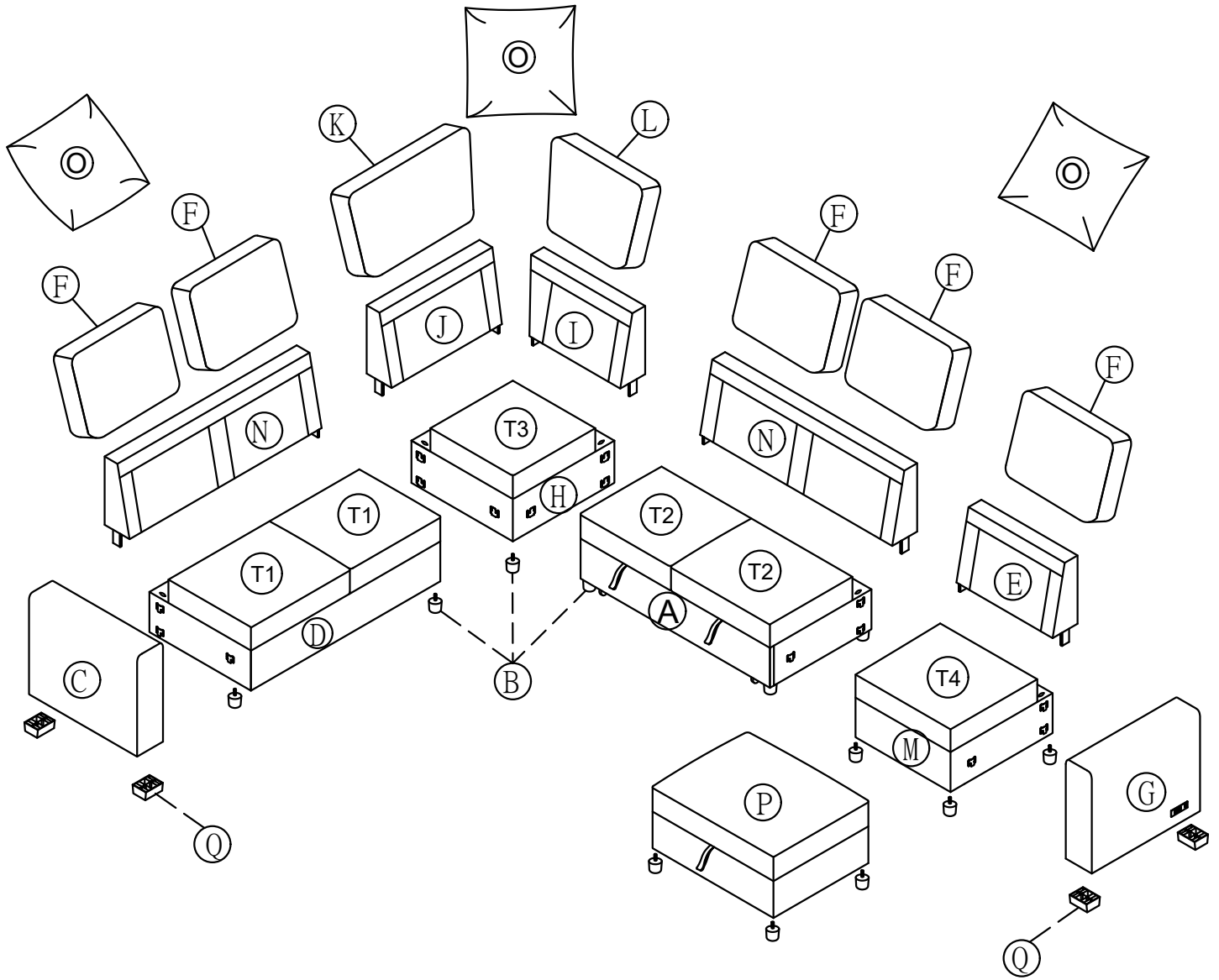
**N719P171746-COMPONENT LIST**

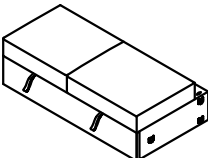
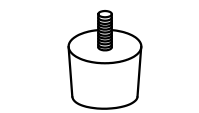
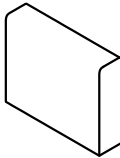
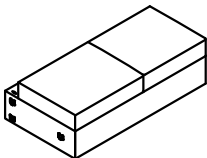
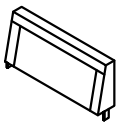
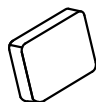
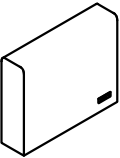
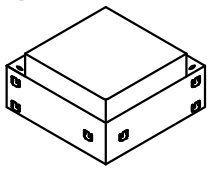
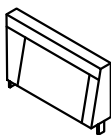
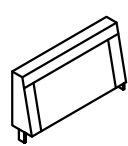
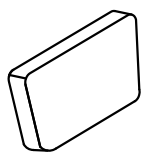
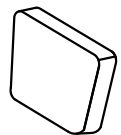
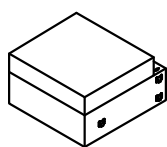
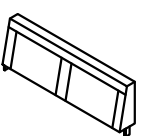
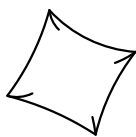
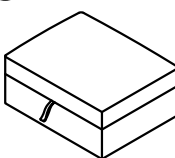
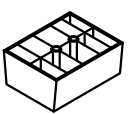


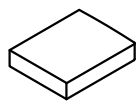
NO.	DRAWING	QTY	DESCRIPTION
P		1	Ottoman
F		4	Back Cushion
O		2	Pillow
B		4	Round legs

**N719P171747-COMPONENT LIST**

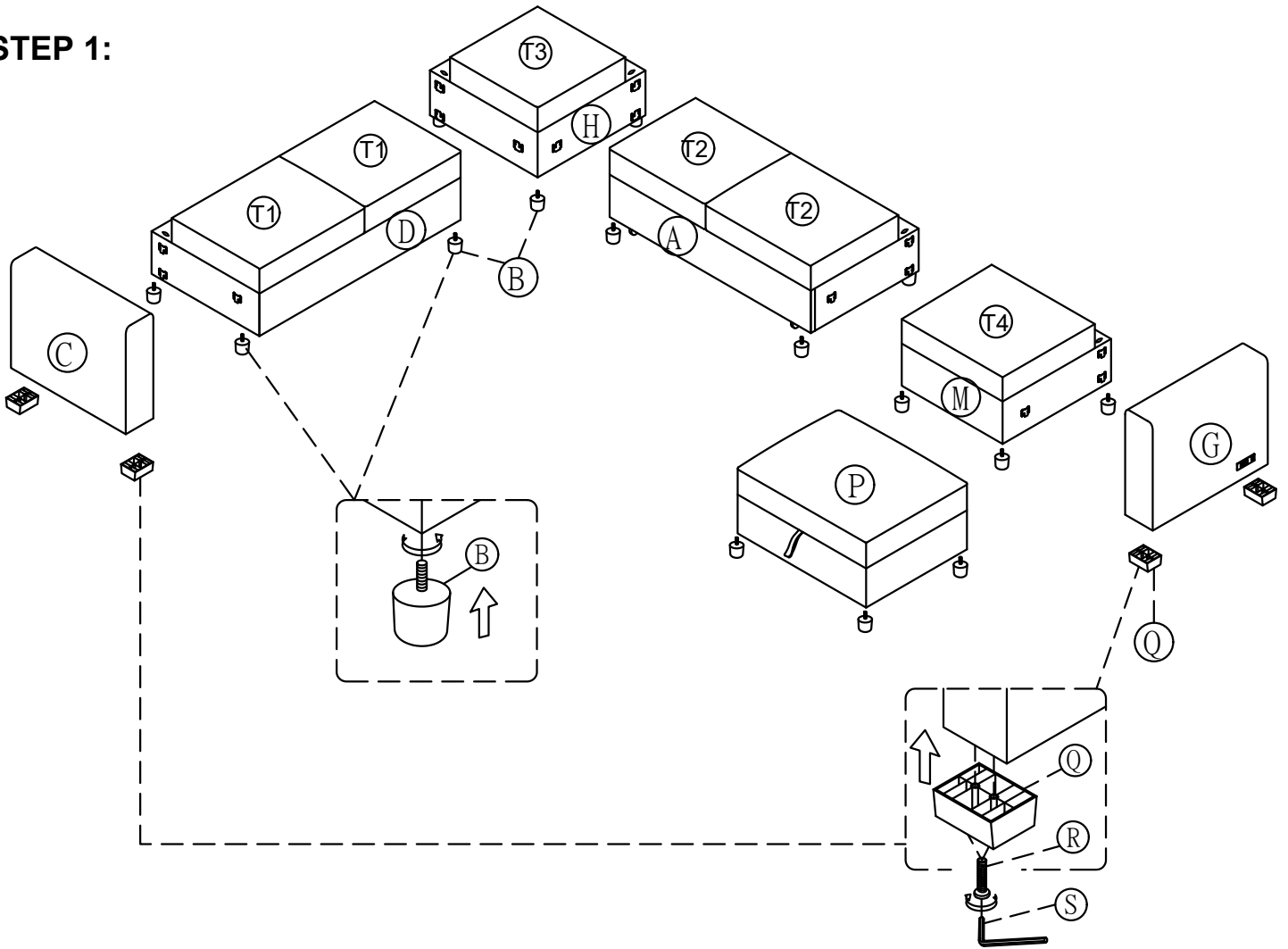
NO.	DRAWING	QTY	DESCRIPTION
C		1	Left Arm
G		1	Right Arm

# PARTS LIST

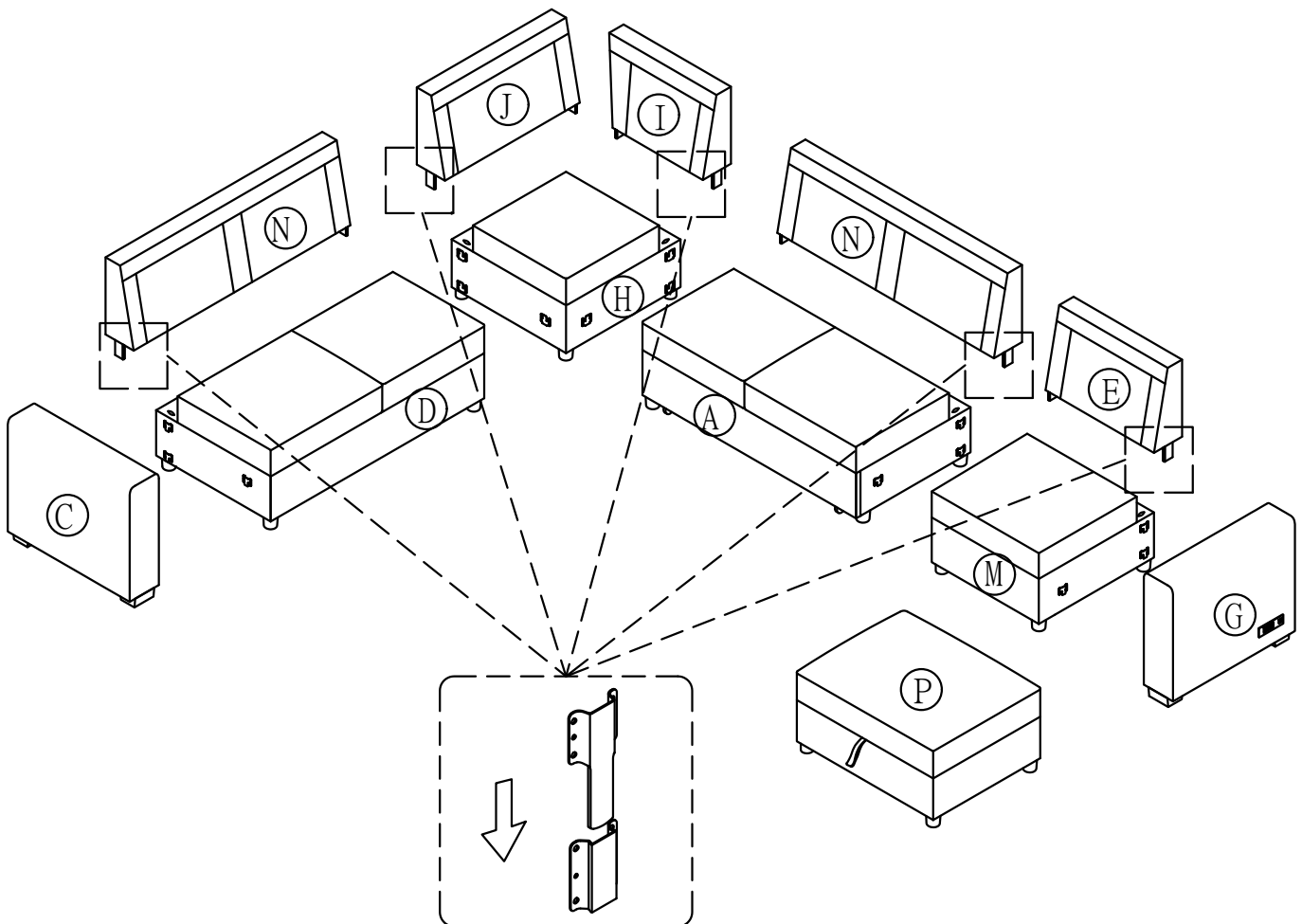


 <p><b>A</b></p> <p>Loveseat Body X 1PC</p>	 <p><b>B</b></p> <p>Round legs X 20PCS</p>	 <p><b>C</b></p> <p>Left Arm X 1PC</p>	 <p><b>D</b></p> <p>Loveseat Body X 1PC</p>	 <p><b>E</b></p> <p>Chaise Backrest X 1PC</p>	 <p><b>F</b></p> <p>Back Cushion X 5PCS</p>	 <p><b>G</b></p> <p>Right Arm X 1PC</p>
 <p><b>H</b></p> <p>Corner Frame X 1PC</p>	 <p><b>I</b></p> <p>Short Corner Backrest X 1PC</p>	 <p><b>J</b></p> <p>Long Corner Backrest X 1PC</p>	 <p><b>K</b></p> <p>Long Corner Back Cushion X 1PC</p>	 <p><b>L</b></p> <p>Short Corner Back Cushion X 1PC</p>	 <p><b>M</b></p> <p>Single Body X 1PC</p>	 <p><b>N</b></p> <p>Loveseat Backrest X 2PCS</p>
 <p><b>O</b></p> <p>Pillows x3pcs</p>	 <p><b>P</b></p> <p>Ottoman x1pc</p>	 <p><b>Q</b></p> <p>Square Leg X 4PCS</p>	 <p><b>R</b></p> <p>Bolt Ø5/16"x50MM X 8 PCS</p>	 <p><b>S</b></p> <p>Allen key X 1PC</p>	 <p><b>T</b></p> <p>Single Seat Cushion X 6PCS</p>	<p>Page 3 of 6</p>

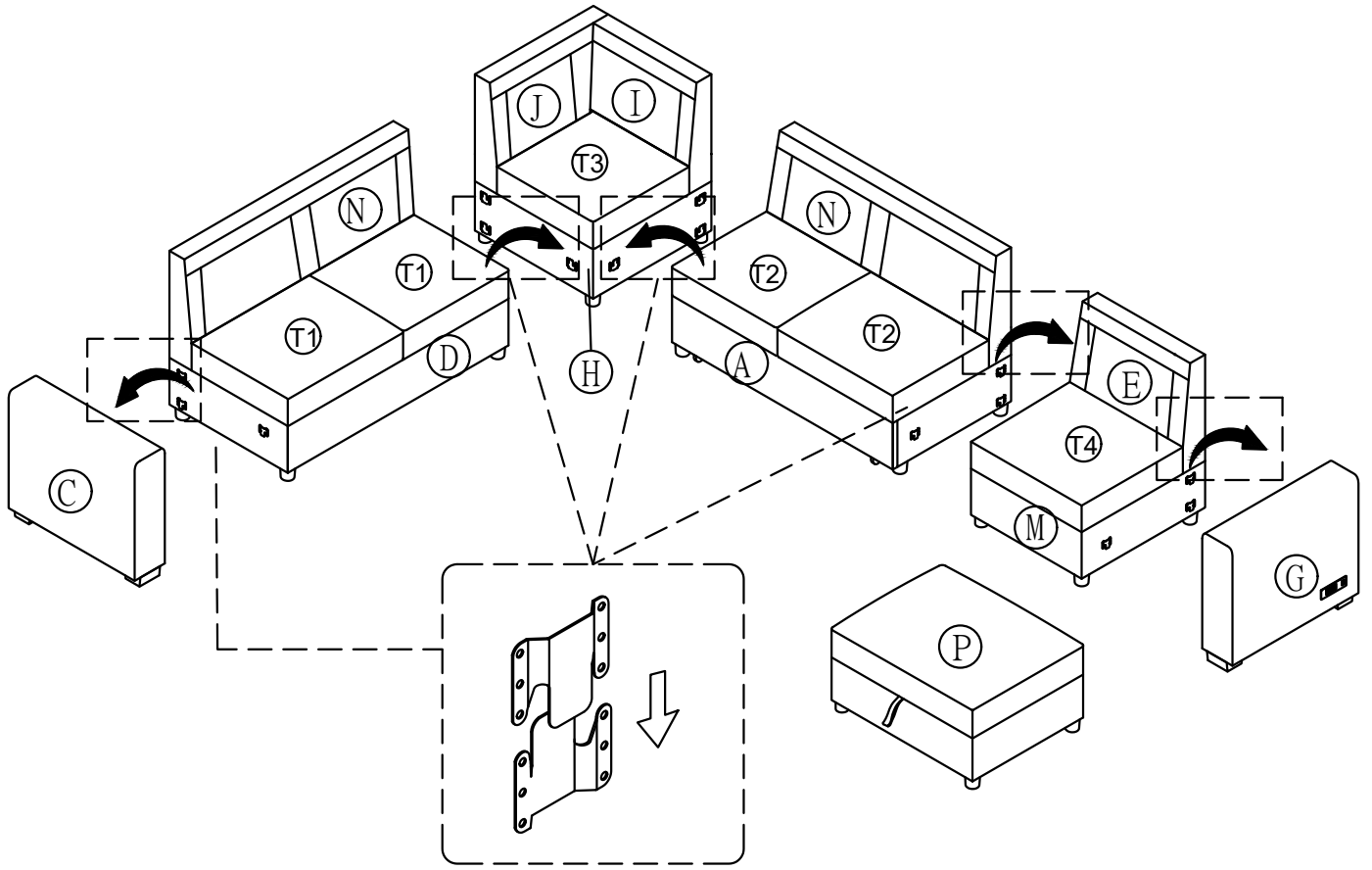
**STEP 1:**



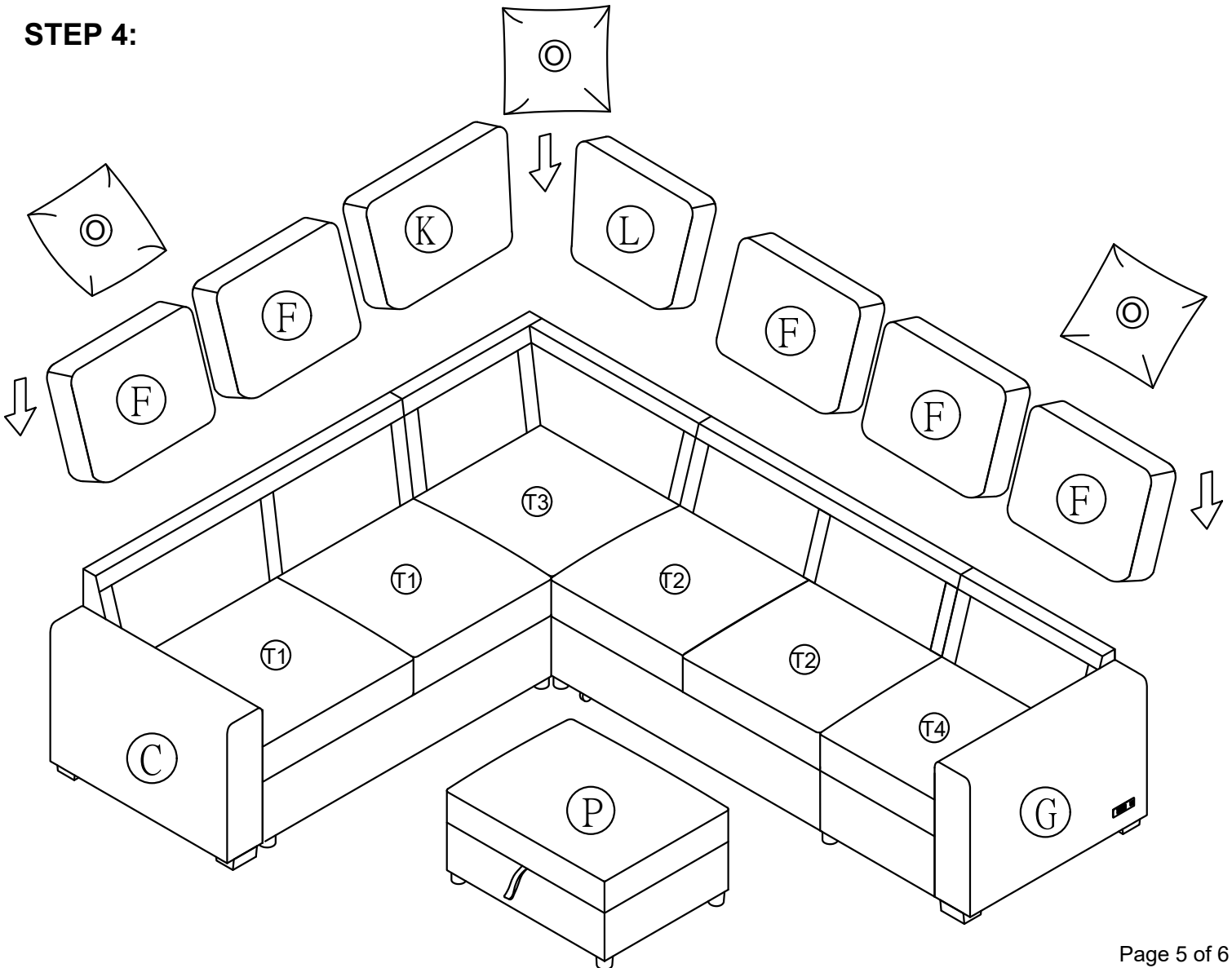
**STEP 2:**



**STEP 3:**



**STEP 4:**



# Helpful Hints

- Sectional sofa can transform into a sleeper
- Move your new furniture carefully, with two people lifting and carrying the unit to its new location.
- Your furniture can be disassembled and reassembled to move.
- Clean the product with a soft damp cloth. DO NOT use harsh chemicals or abrasive cleaners.

## COMPLETED

