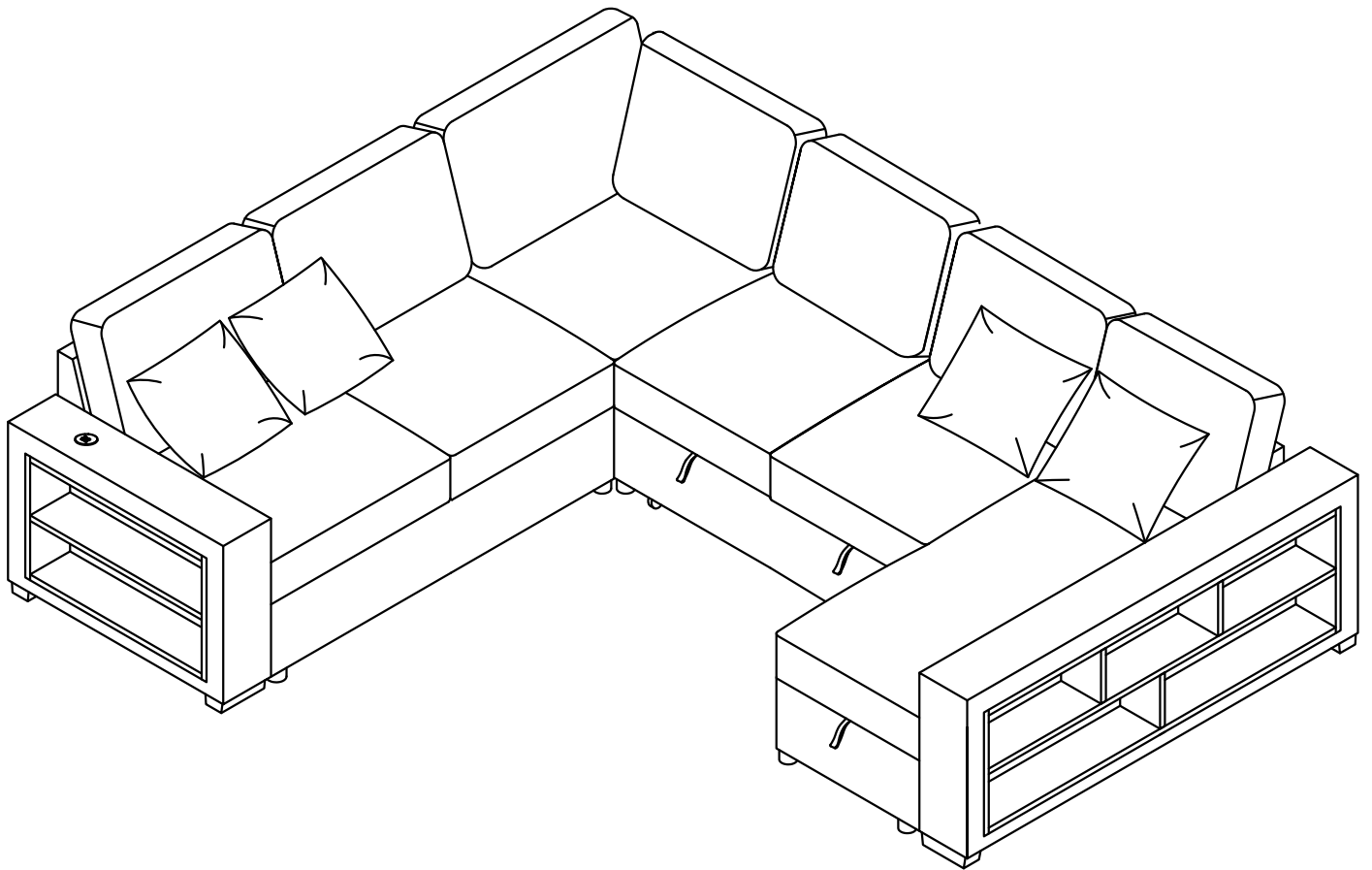






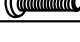



# ASSEMBLY INSTRUCTION






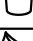

ITEM NO.: N719P172935-N719P172936-N719P172938-N719P172939-N719P172940








**N719P172935 -COMPONENT LIST**

NO.	DRAWING	QTY	DESCRIPTION
D		1	Loveseat Body
F		3	Back Cushion
C		1	Left Arm
R		2	Pillows
B		4	Round legs
O		2	Square Leg
P		4	Bolt
Q		1	Allen key



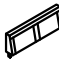


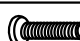
**N719P172936 -COMPONENT LIST**

NO.	DRAWING	QTY	DESCRIPTION
H		1	Corner Frame
I		1	Short Corner Backrest
E		1	Chaise Backrest
K		1	Long Corner Back Cushion
L		1	Short Corner Back Cushion
B		4	Round legs
R		1	Pillow


**N719P172938 -COMPONENT LIST**

NO.	DRAWING	QTY	DESCRIPTION
A		1	Loveseat Body
J		1	Long Corner Backrest
F		1	Back Cushion
R		1	Pillow
B		4	Round legs

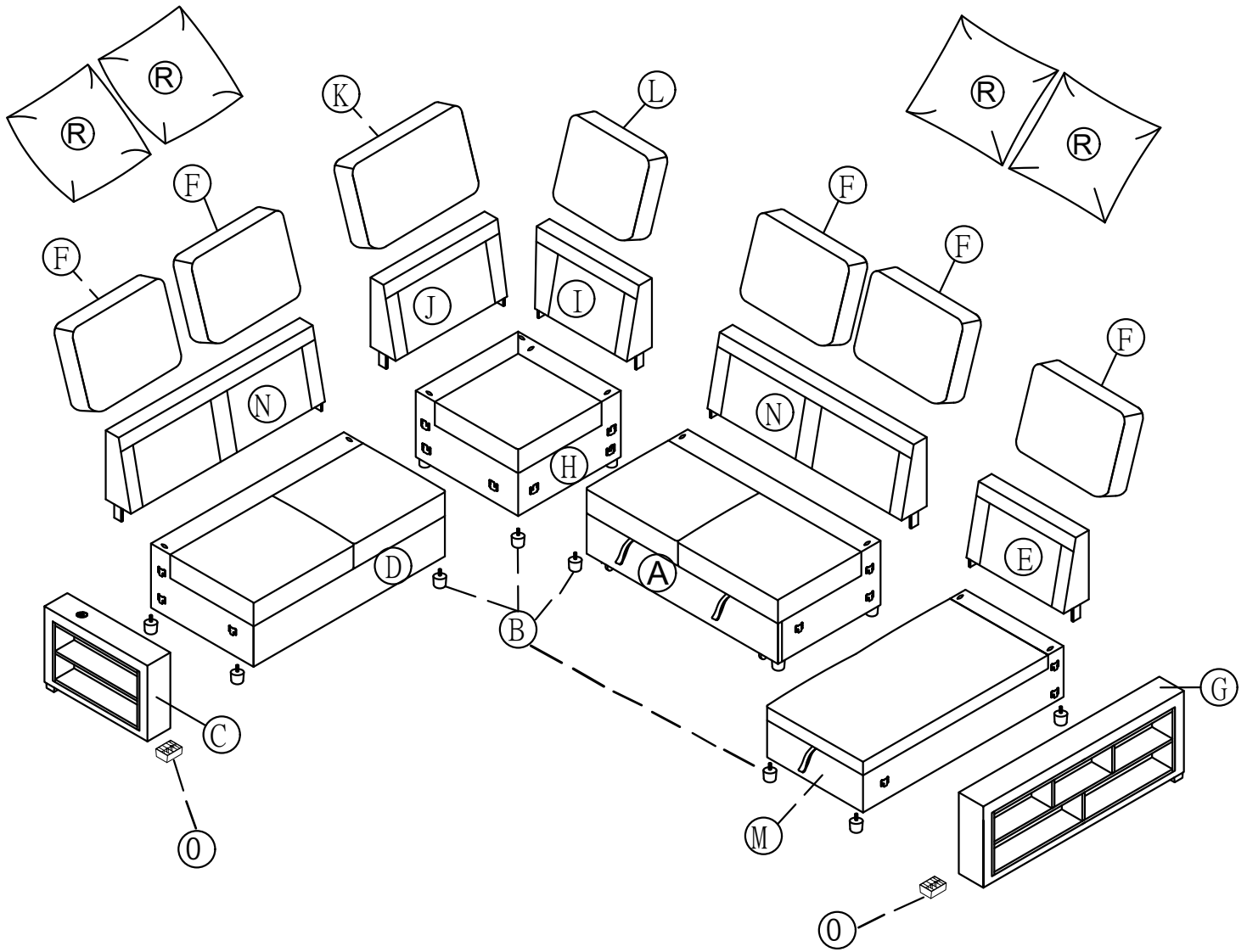
**N719P172939 -COMPONENT LIST**

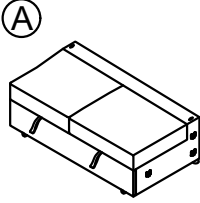
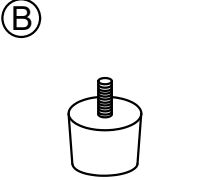
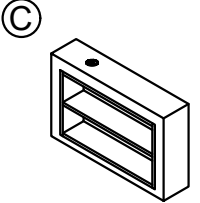
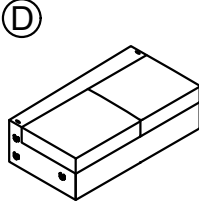
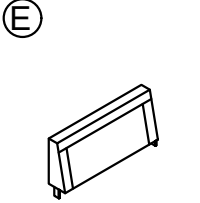
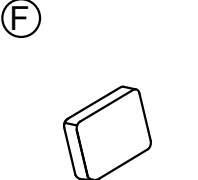
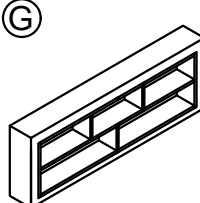
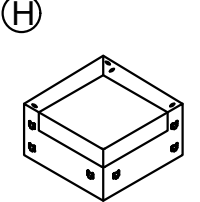
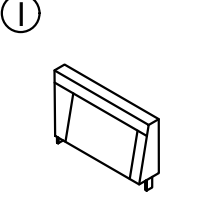
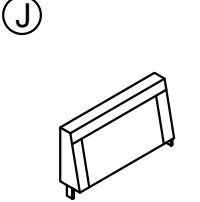
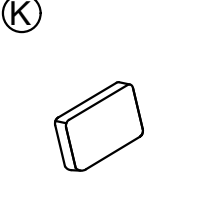
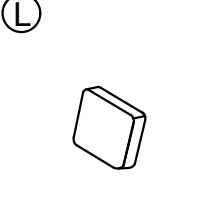
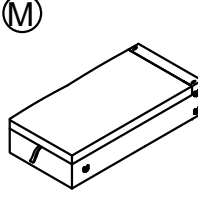
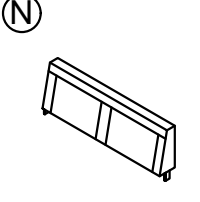
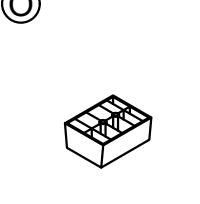
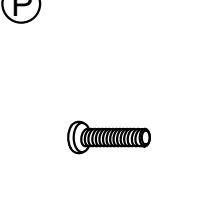
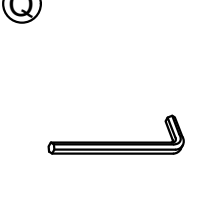
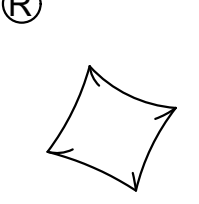
NO.	DRAWING	QTY	DESCRIPTION
M		1	Chaise Body
F		1	Back Cushion
N		2	Loveseat Backrest
B		4	Round legs
O		2	Square Leg
P		4	Bolt

**N719P172940-COMPONENT LIST**

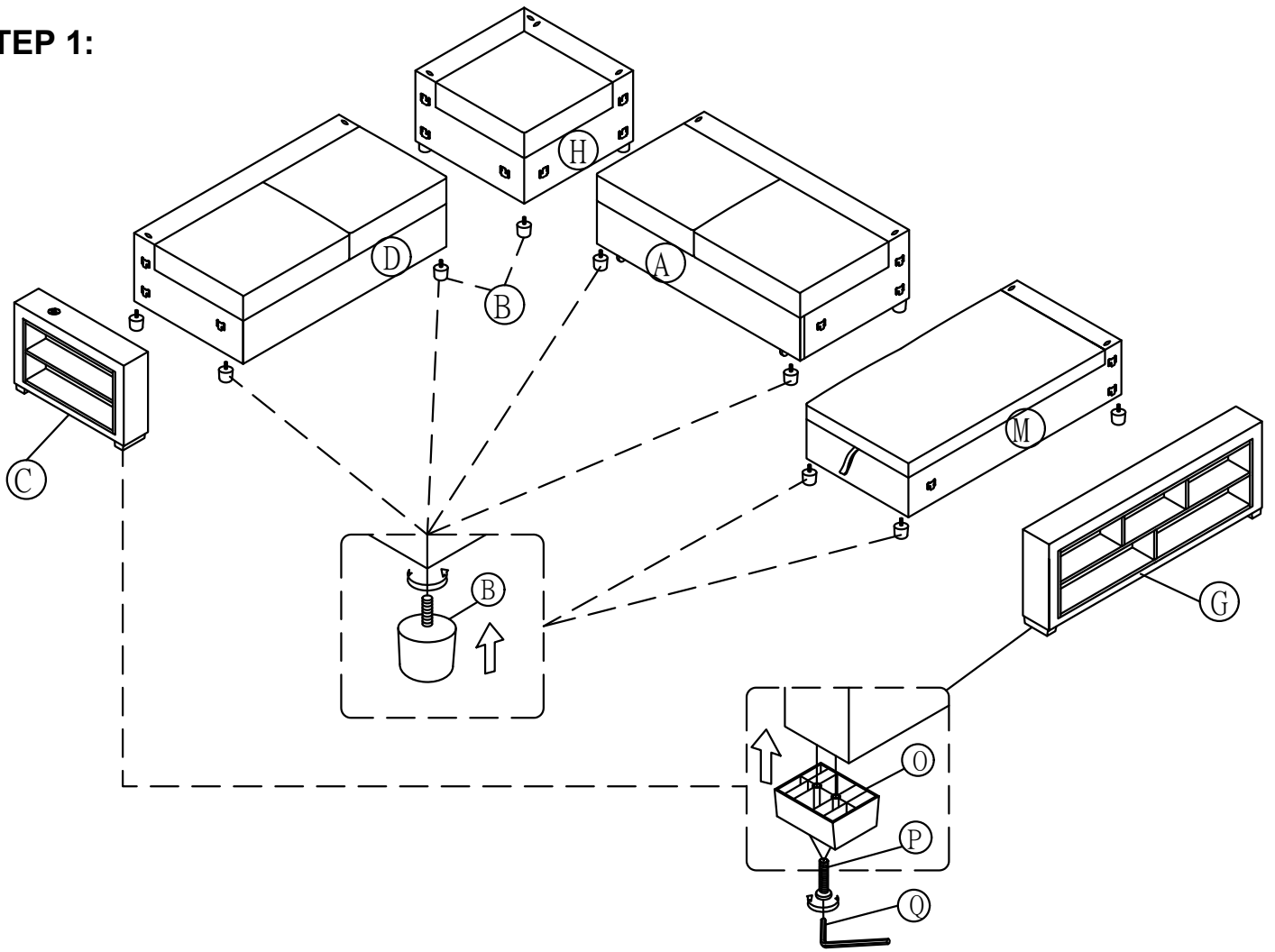
NO.	DRAWING	QTY	DESCRIPTION
G		1	Right Arm

# PARTS LIST

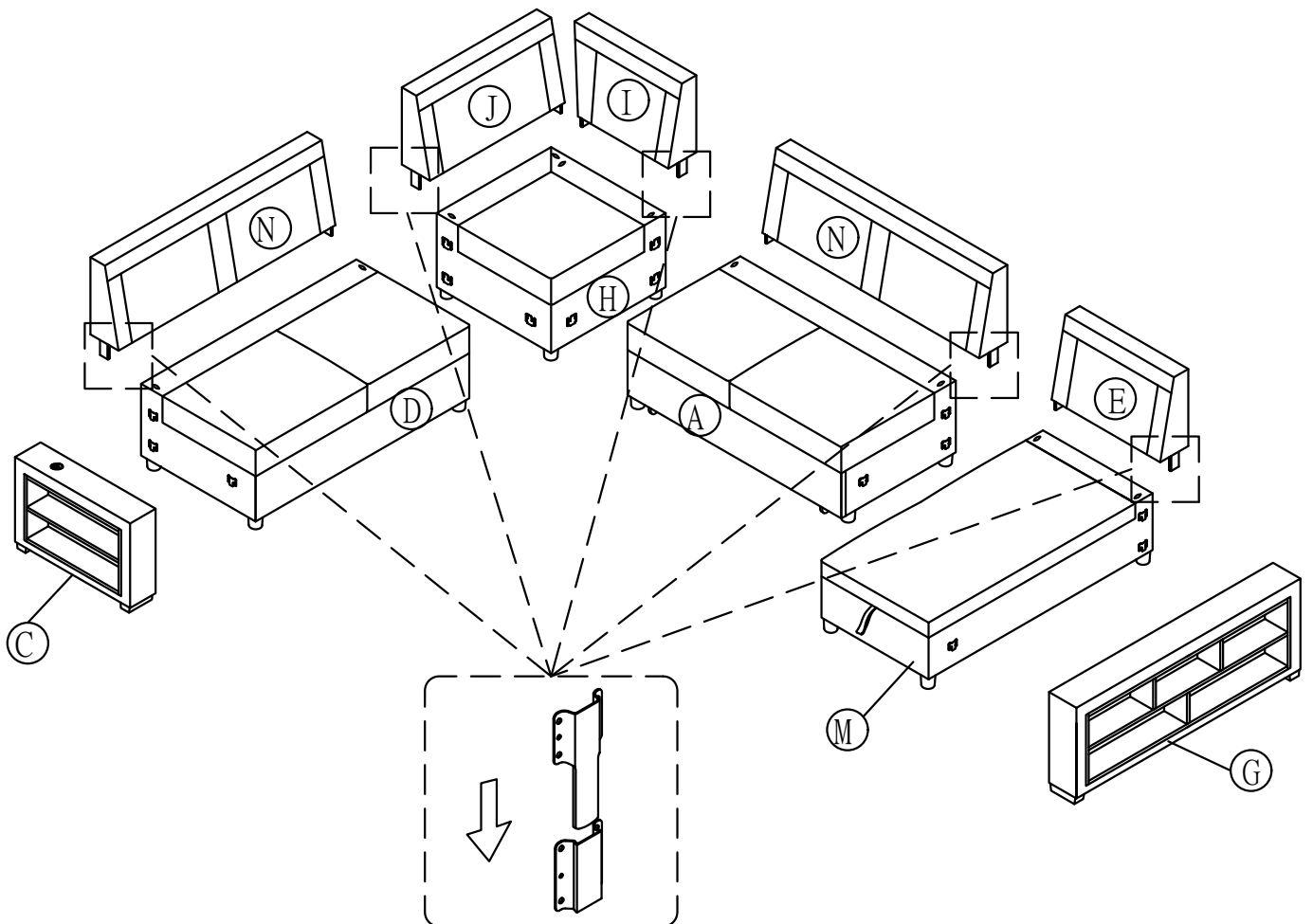


 <p><b>A</b></p> <p>Loveseat Body X 1PC</p>	 <p><b>B</b></p> <p>Round legs X 16PCS</p>	 <p><b>C</b></p> <p>Left Arm X 1PC</p>	 <p><b>D</b></p> <p>Loveseat Body X 1PC</p>	 <p><b>E</b></p> <p>Chaise Backrest X 1PC</p>	 <p><b>F</b></p> <p>Back Cushion X 5PCS</p>	 <p><b>G</b></p> <p>Right Arm X 1PC</p>
 <p><b>H</b></p> <p>Corner Frame X 1PC</p>	 <p><b>I</b></p> <p>Short Corner Backrest X 1PC</p>	 <p><b>J</b></p> <p>Long Corner Backrest X 1PC</p>	 <p><b>K</b></p> <p>Long Corner Back Cushion X 1PC</p>	 <p><b>L</b></p> <p>Short Corner Back Cushion X 1PC</p>	 <p><b>M</b></p> <p>Chaise Body X 1PC</p>	 <p><b>N</b></p> <p>Loveseat Backrest X 2PCS</p>
 <p><b>O</b></p> <p>Square Leg X 4PCS</p>	 <p><b>P</b></p> <p>Bolt Ø5/16"x50MM X 8 PCS</p>	 <p><b>Q</b></p> <p>Allen key X 1PC</p>	 <p><b>R</b></p> <p>Pillows x4pcs</p>			

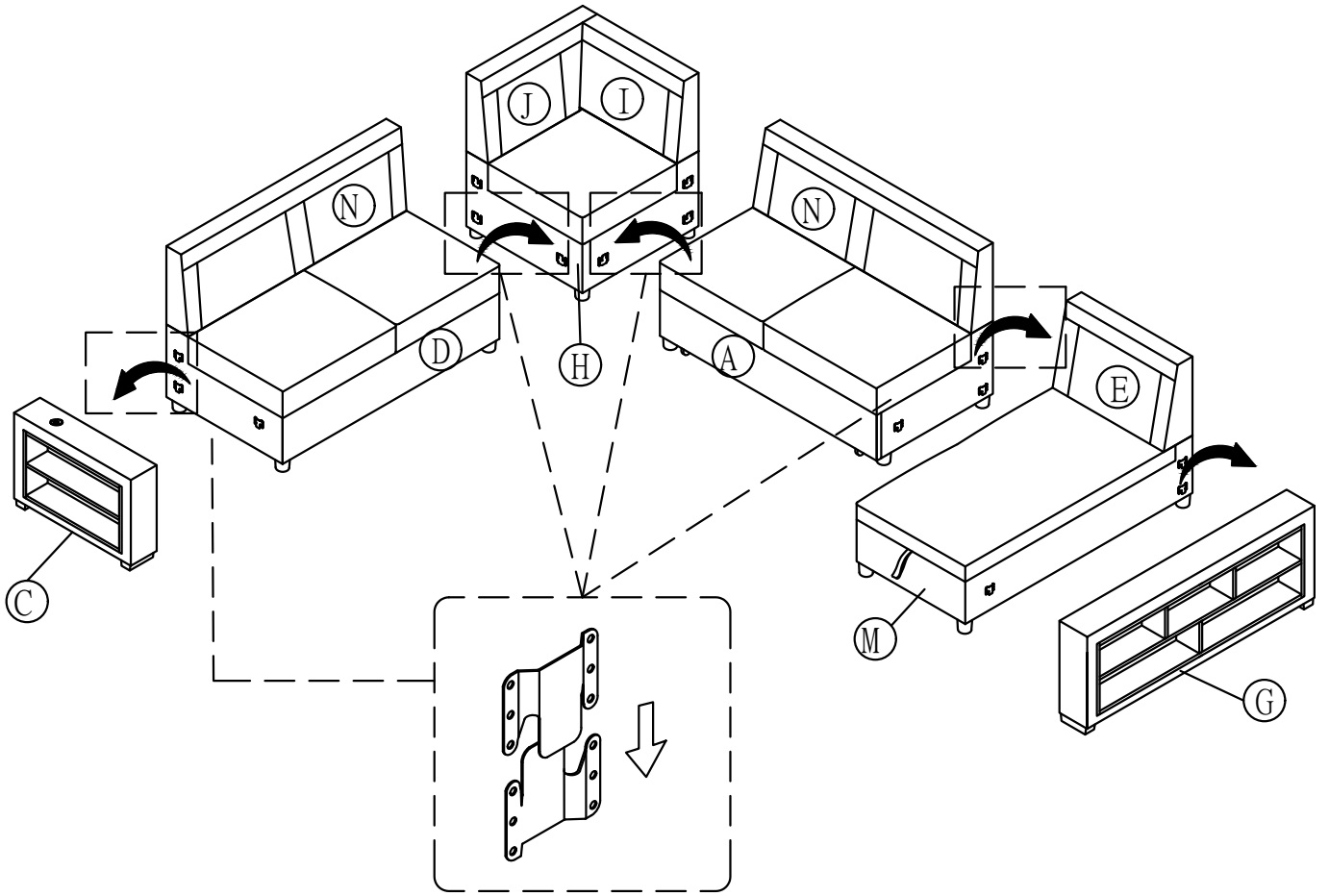
**STEP 1:**



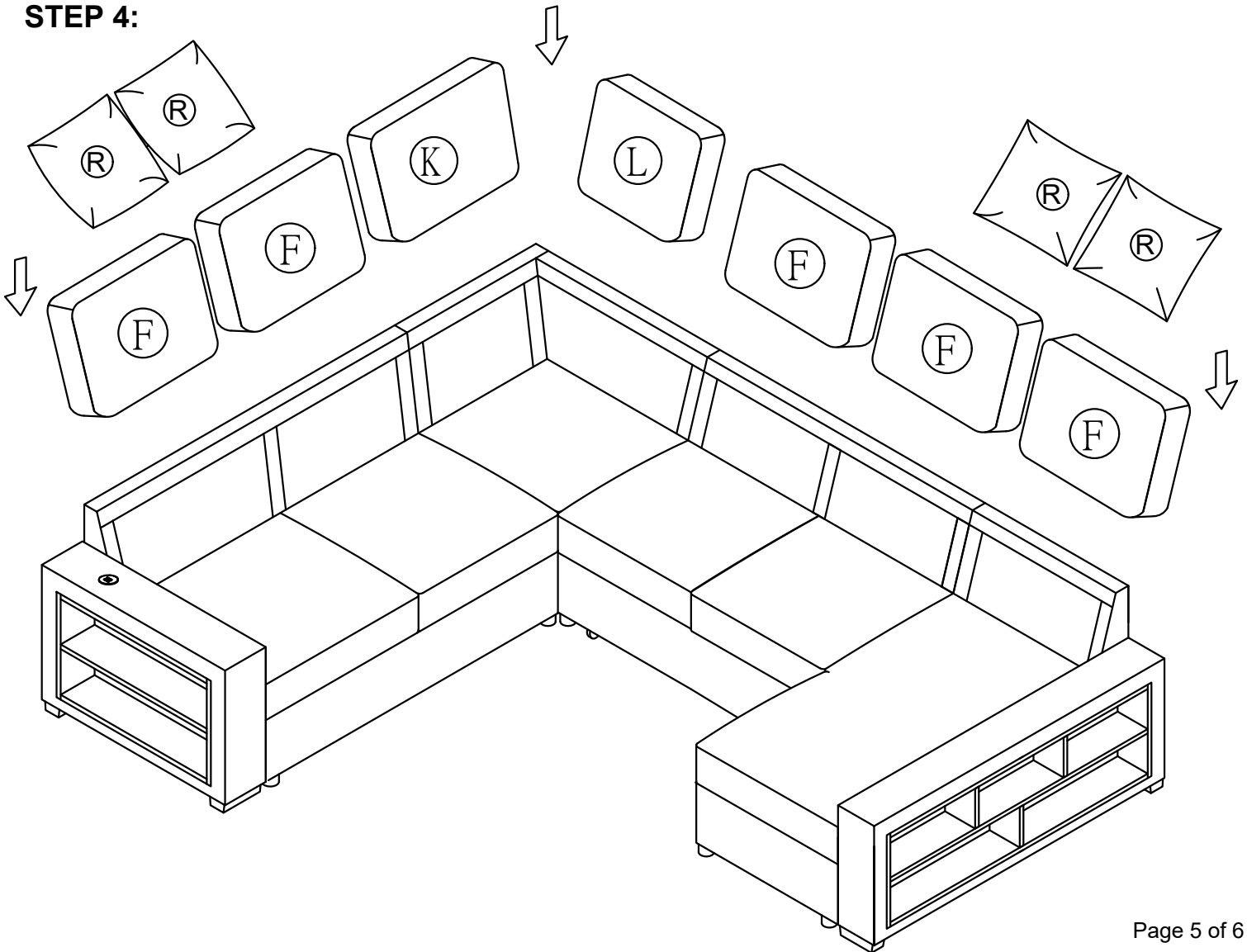
**STEP 2:**



**STEP 3:**



**STEP 4:**



# Helpful Hints

- Sectional sofa can transform into a sleeper
- Move your new furniture carefully, with two people lifting and carrying the unit to its new location.
- Your furniture can be disassembled and reassembled to move.
- Clean the product with a soft damp cloth. DO NOT use harsh chemicals or abrasive cleaners.

## COMPLETED

