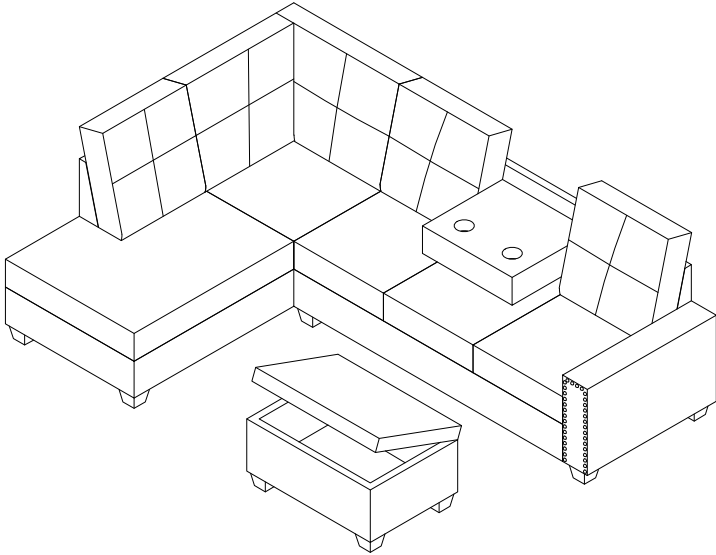
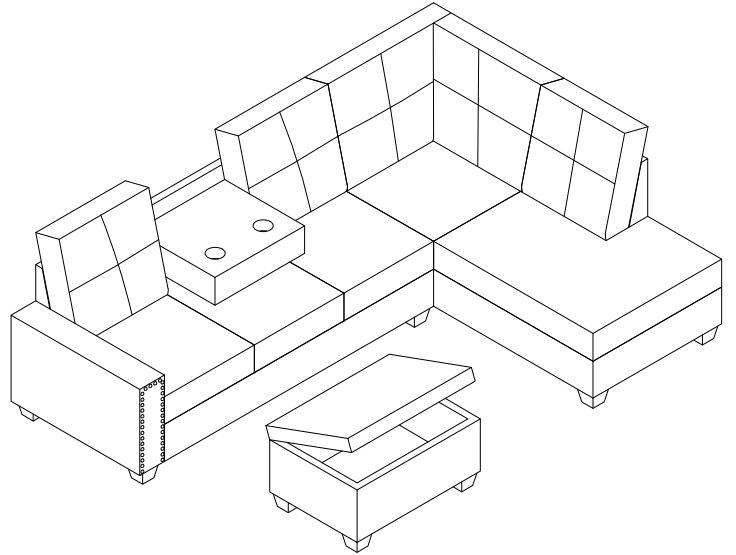


ASSEMBLY INSTRUCTION

WF307835 - WF307836 - WF307837

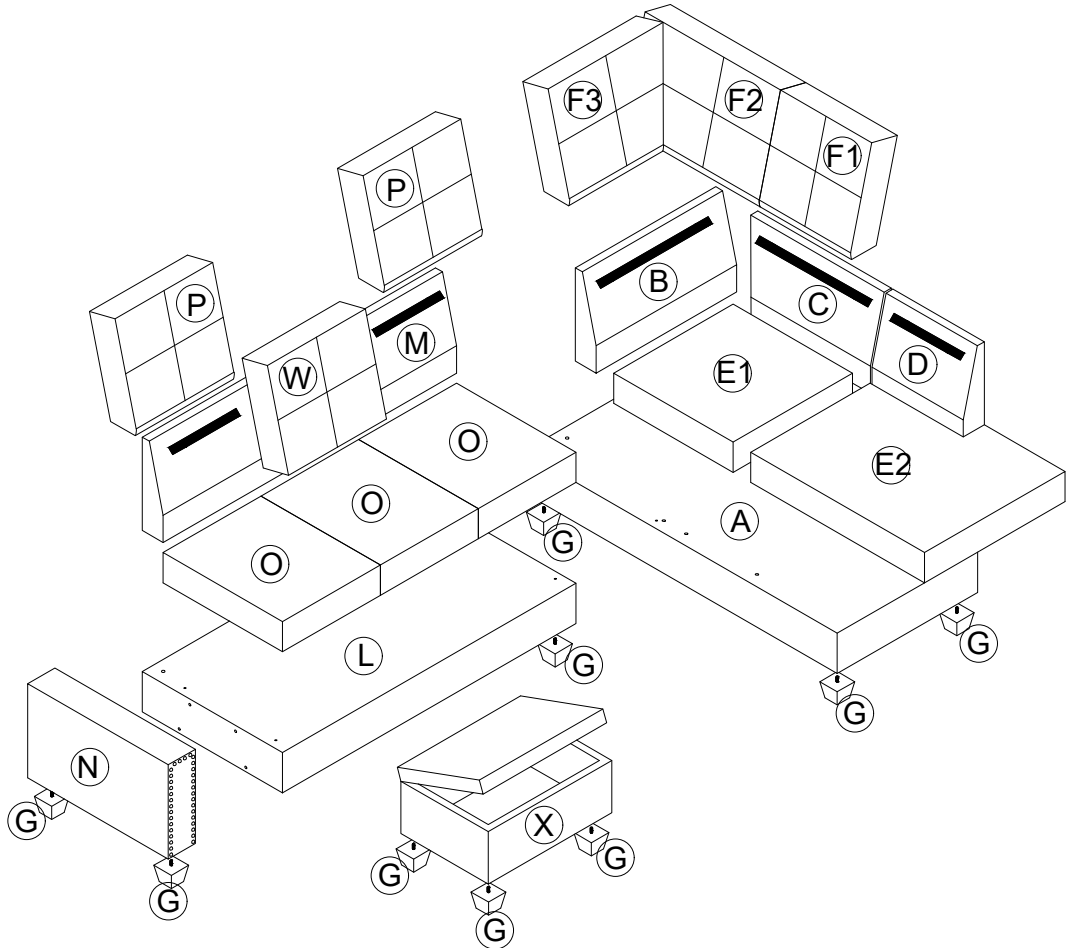


OPTION 1: CHAISE ON LEFT

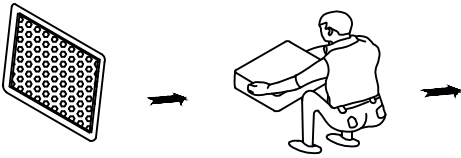


OPTION 2: CHAISE ON RIGHT

PARTS

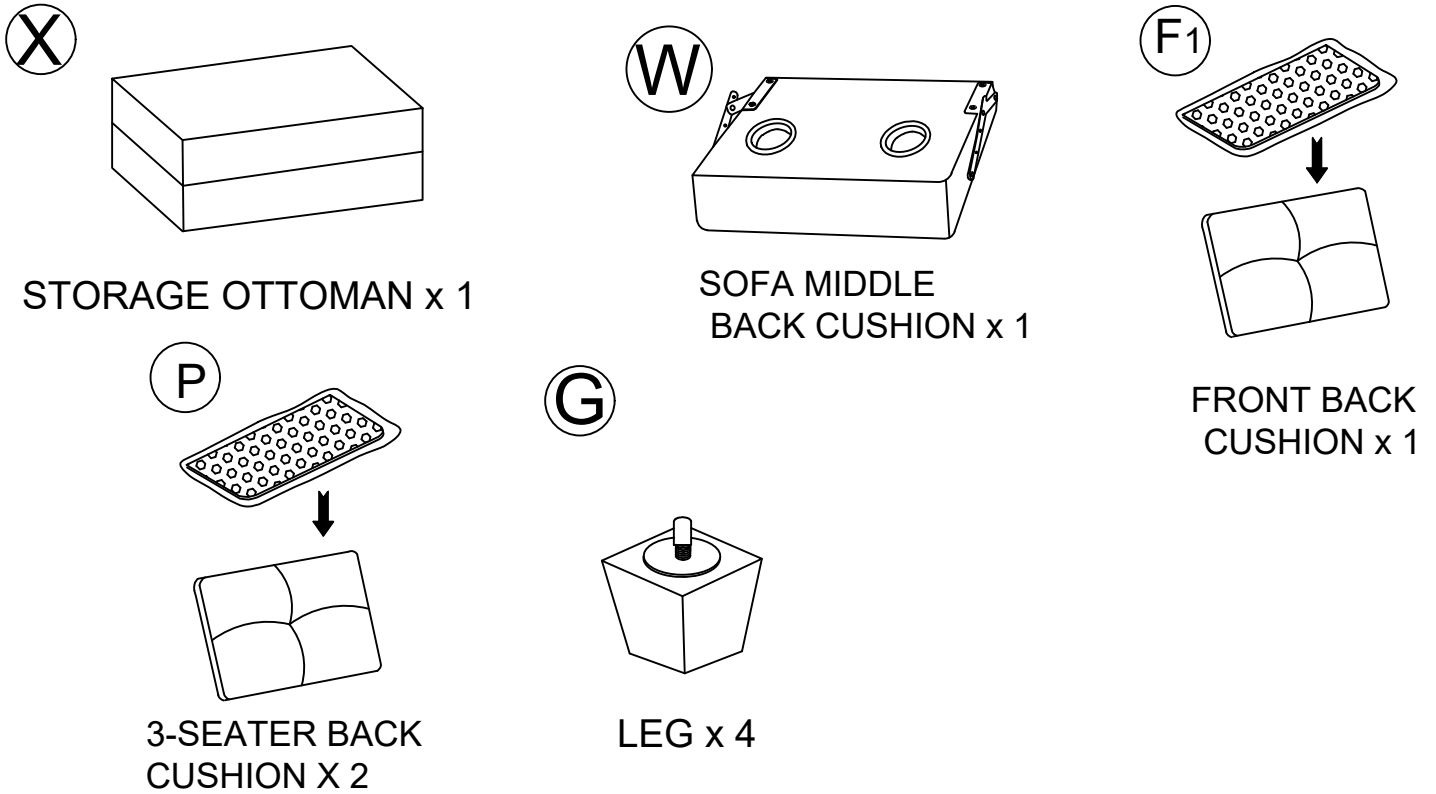


TIPS

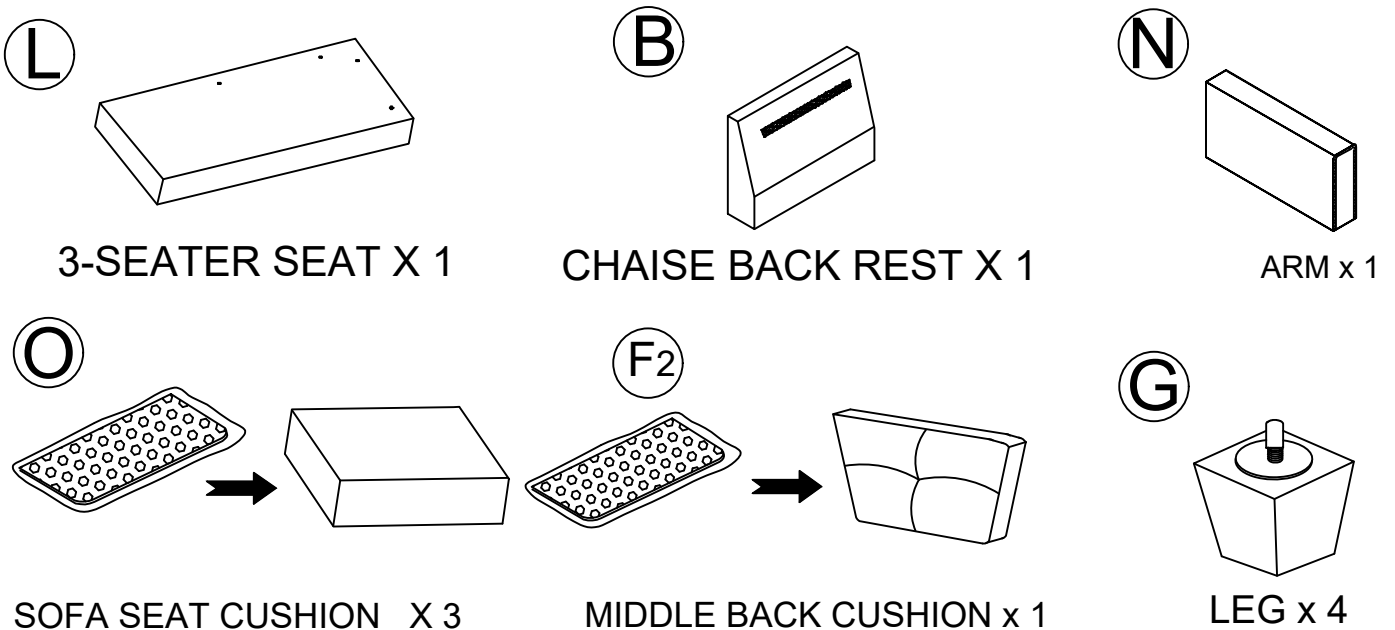


Please allow at least 24 hours for the cushions to recover to its natural state after removing from the package.

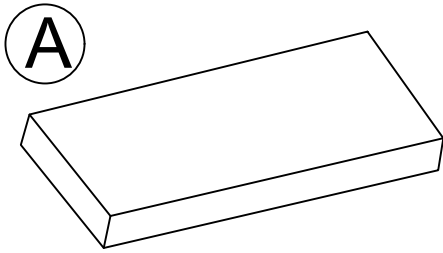
WF307837 - COMPONENT LIST



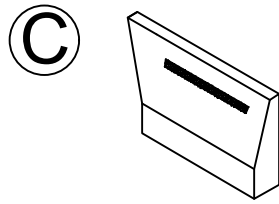
WF307835- COMPONENT LIST



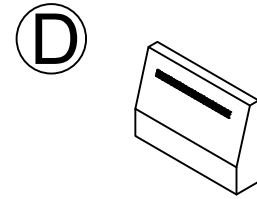
WF307836- COMPONENT LIST



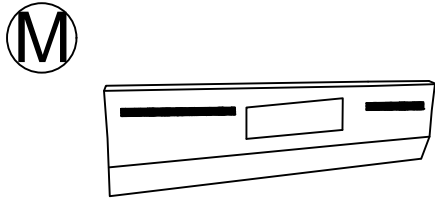
CHAISE SEAT x 1



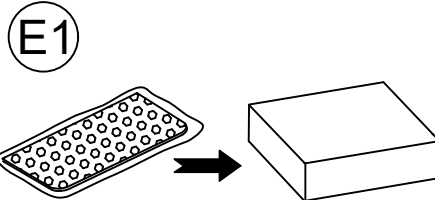
RSF CHAISE
BACK REST X 1



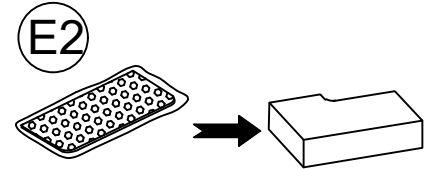
CHAISE BACK
REST x 1



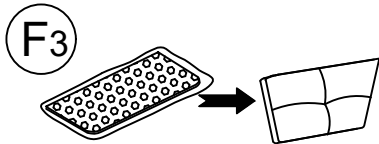
BACK REST WITH MIDDLE
BACK CUSHION x 1



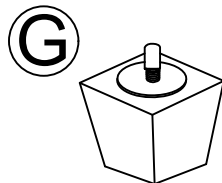
REAR SEAT CUSHION x 1



FRONT SEAT CUSHION x 1

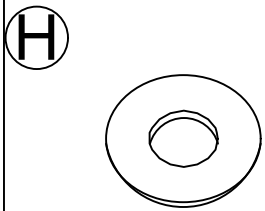


REAR BACK CUSHION x 1

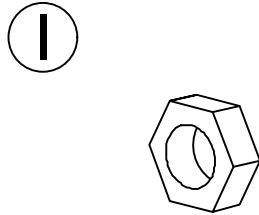


LEG x 4

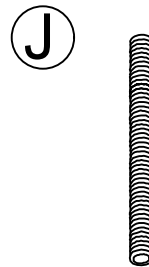
HARDWARE (in box WF307835)



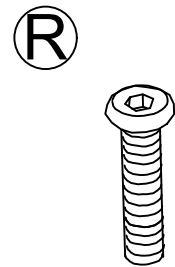
FLAT WASHER
Ø5/16" x 22MM
13PCS



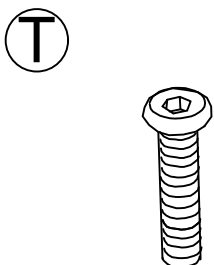
HEX NUT
Ø5/16" x 12MM
9PCS



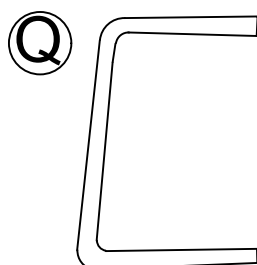
BOLT Ø5/16" x 90MM
9PCS



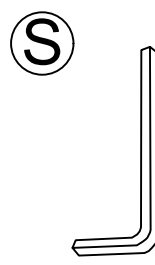
BOLT Ø1/4" x 65MM
4PCS



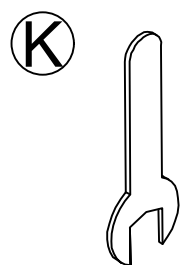
BOLT Ø1/4" x 20MM
4PCS



METAL CONNECTOR
2PCS



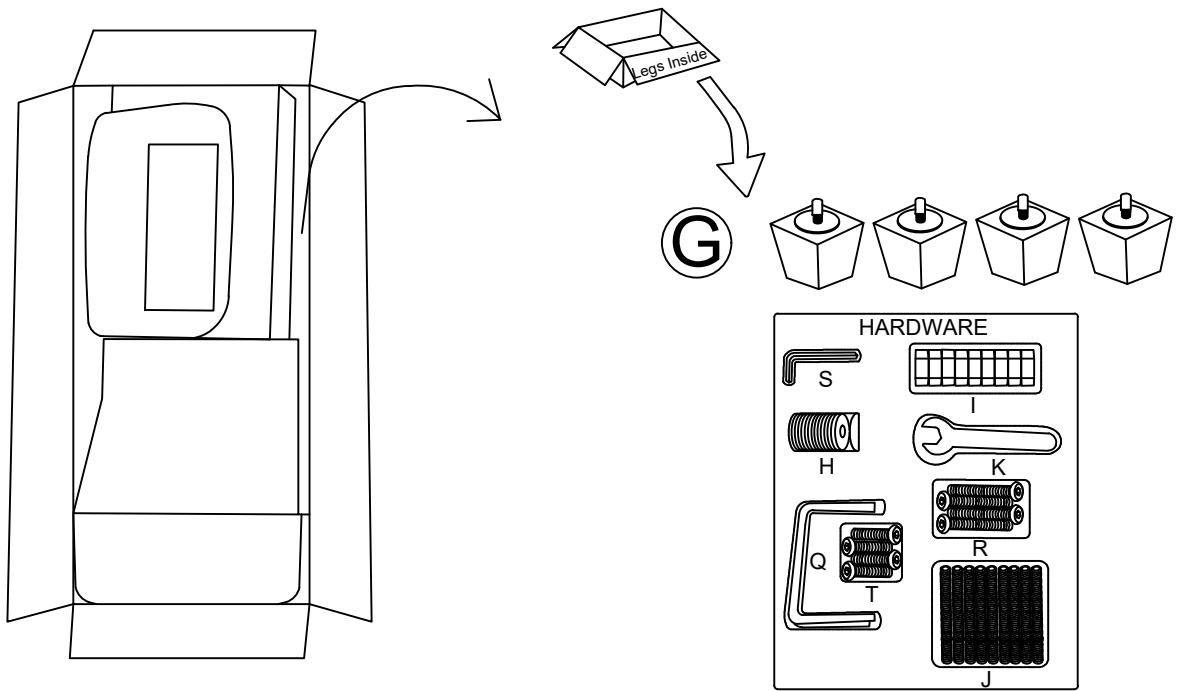
ALLEN KEY
1PC



OPEN WRENCH
1PC

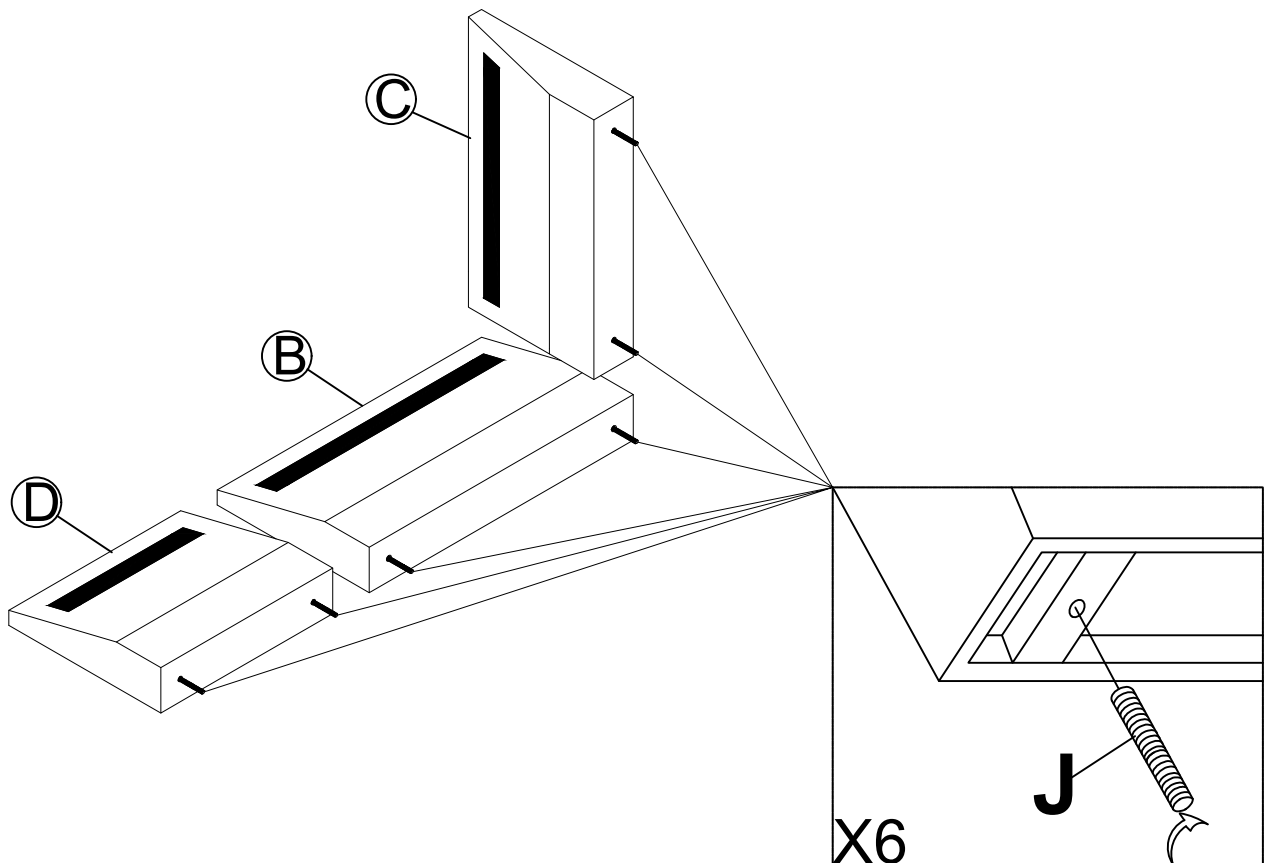
Step 1:

Remove the hardware and the leg box from packet.
Place all parts on a clean, smooth surface



Step 2:

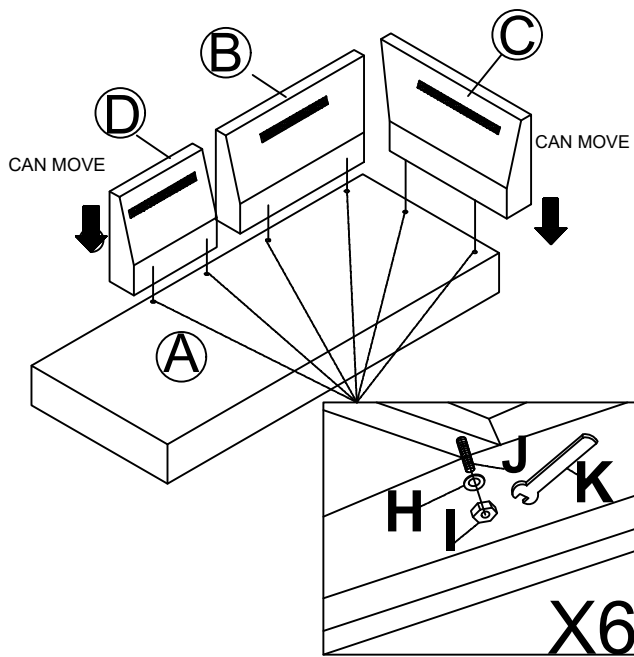
Manually screw J to C , B and D as shown.



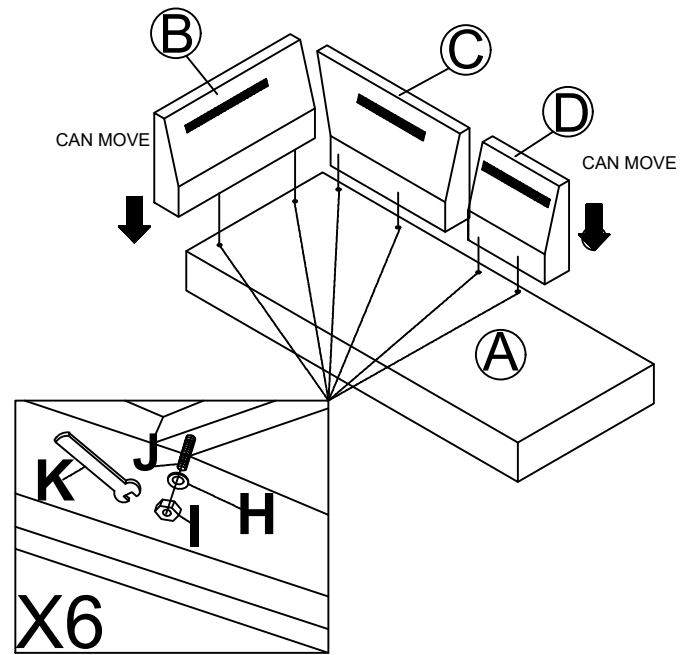
Step 3:

Align the backrest B,C and D with the hole in A. Fix it by using H&I

Option 1



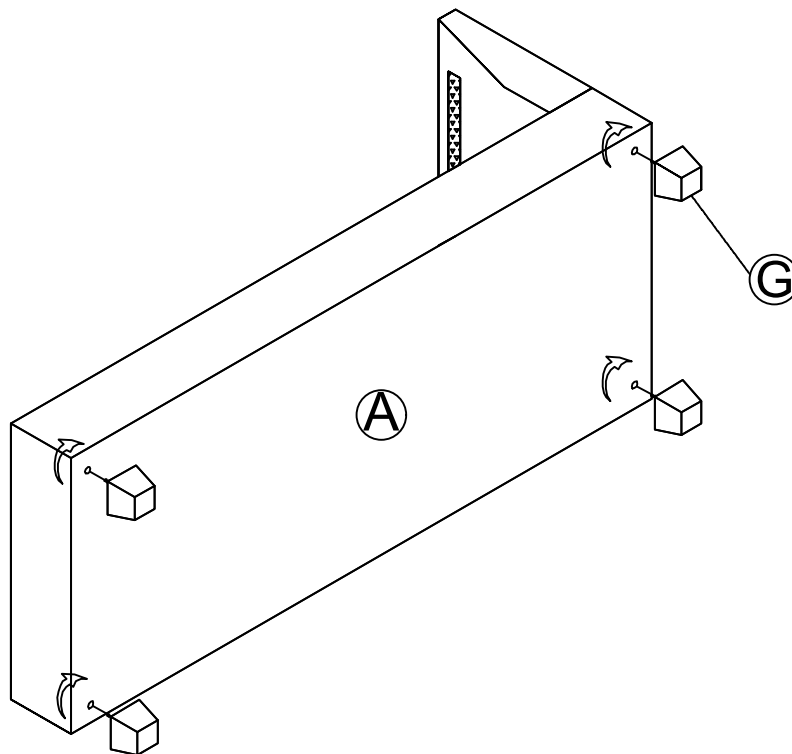
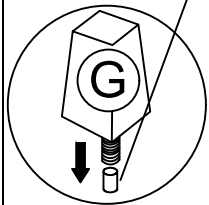
Option 2



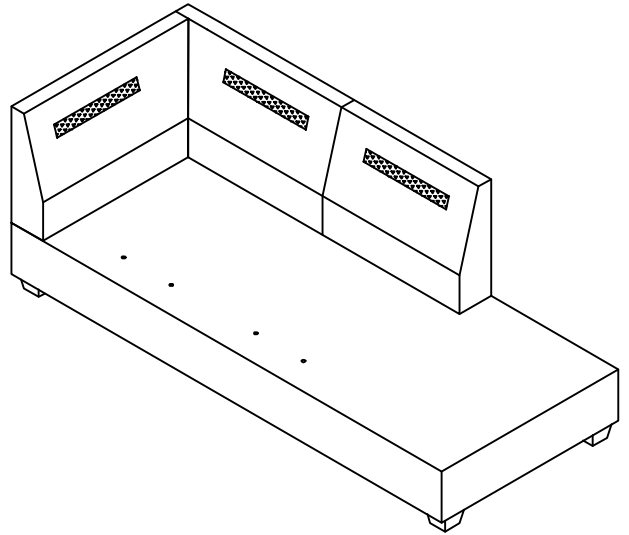
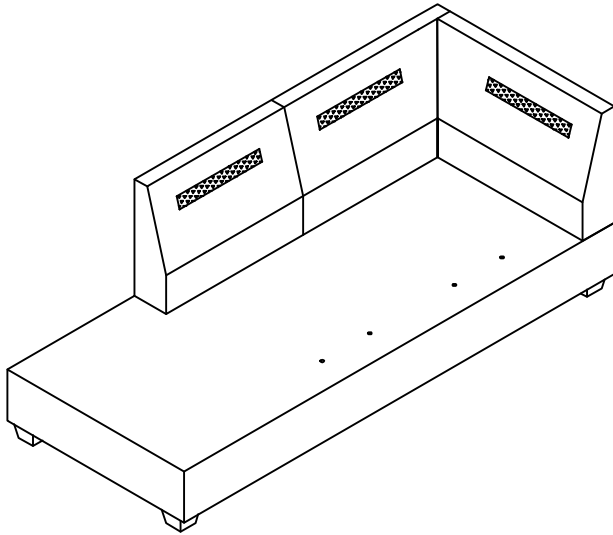
Step 4:

Manually legs G x 4 to A , as shown

▲ Please remove the protective cap on the tip of thread before assembling.

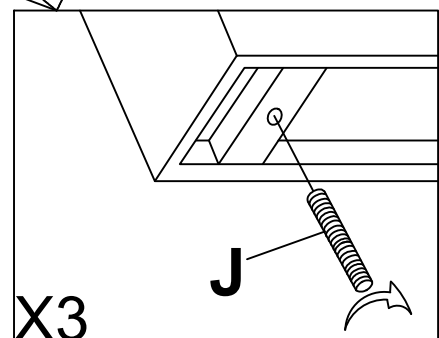
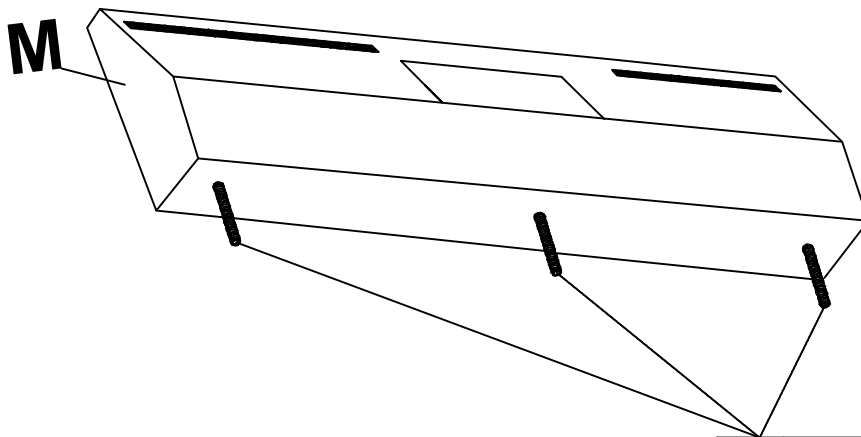


BOTTOM VIEW



Step 5:

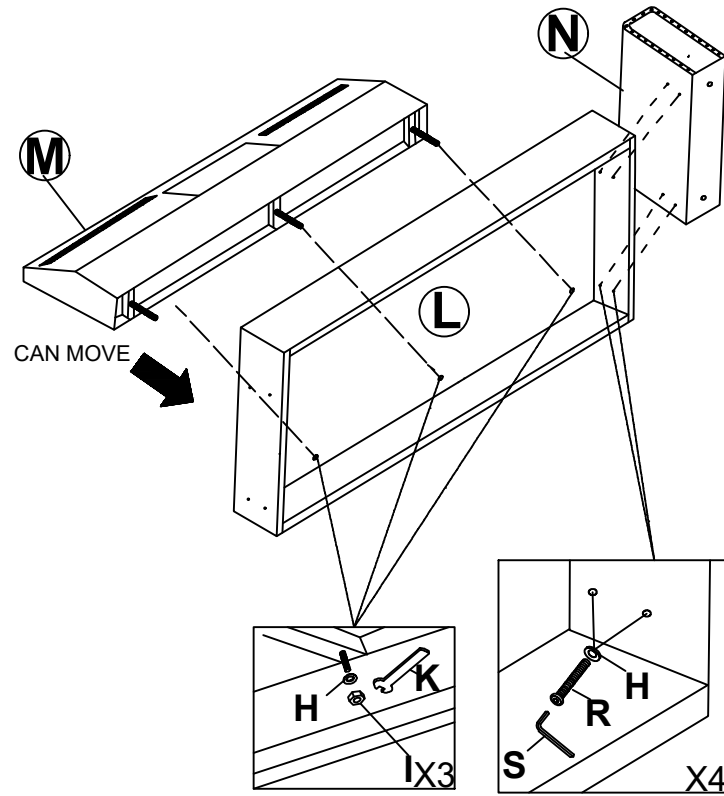
Manually screw J to M as shown.



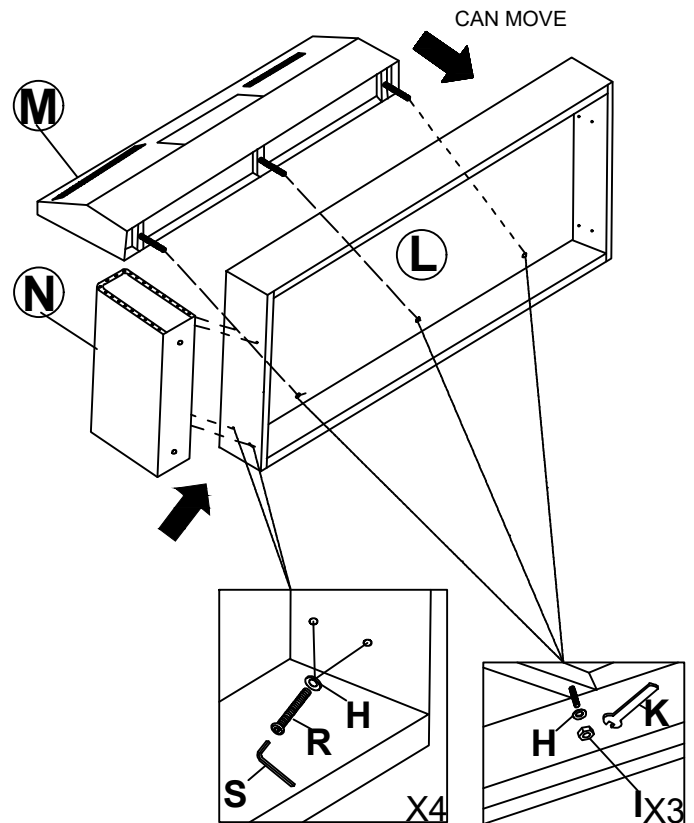
Step 6:

Align the backrest M&N with the hole in L. Fix it by using H & I.

Option 1



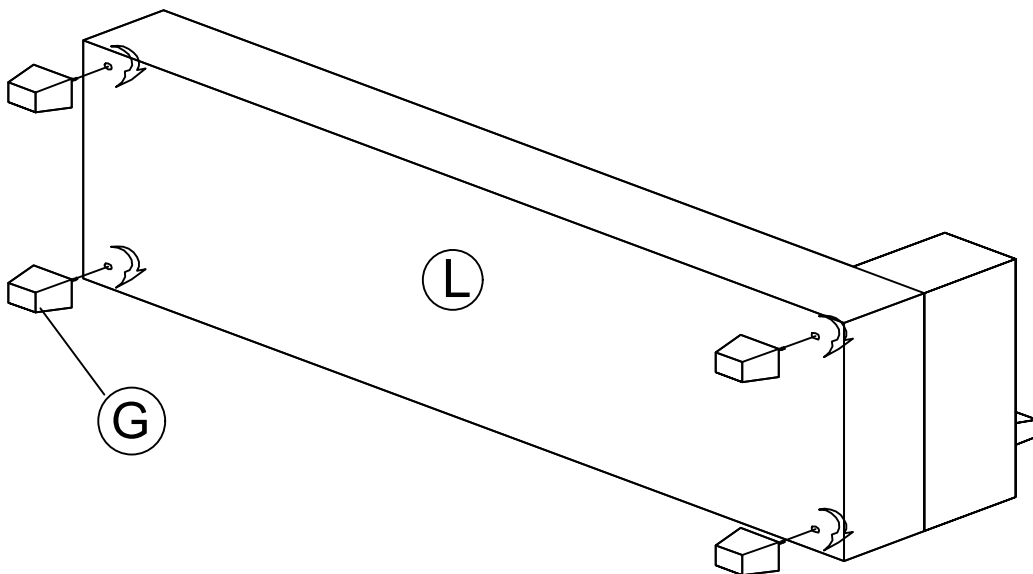
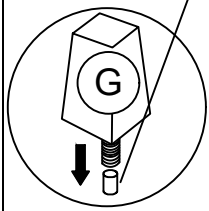
Option 2



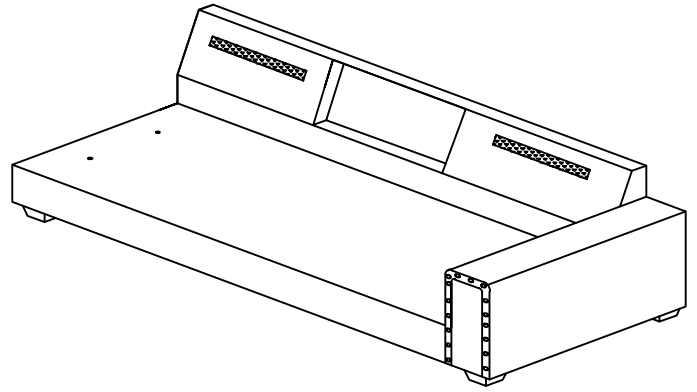
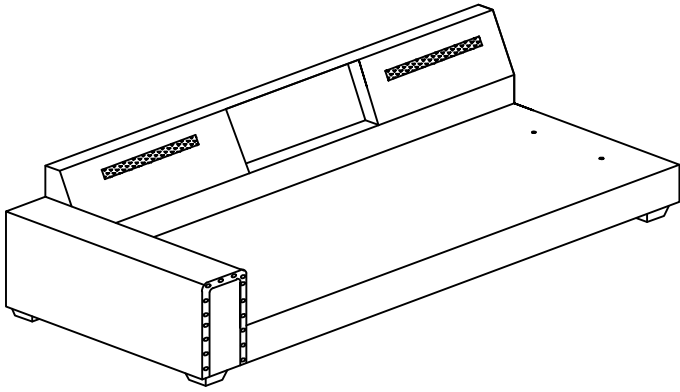
Step 7:

Manually legs G x 4 to L , as shown

▲ Please remove the protective cap on the tip of thread before assembling.



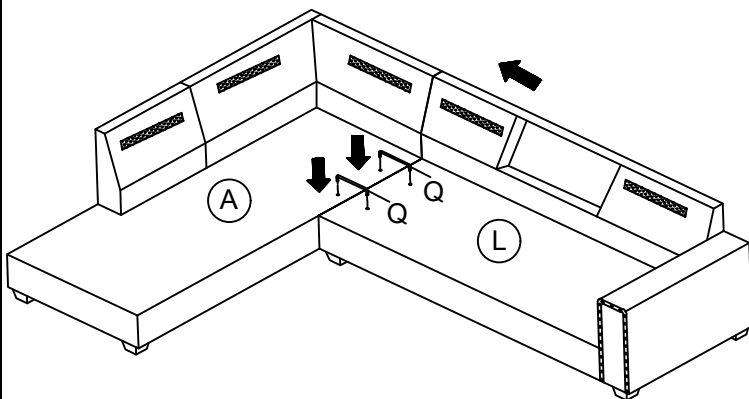
BOTTOM VIEW



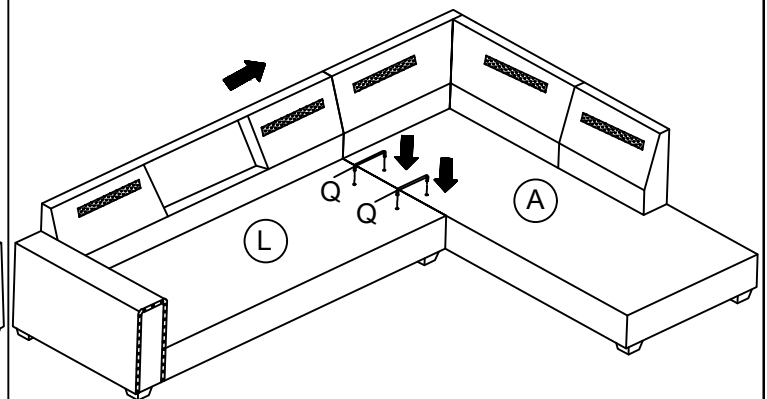
Step 8:

Attach base of A with L.

Option 1



Option 2

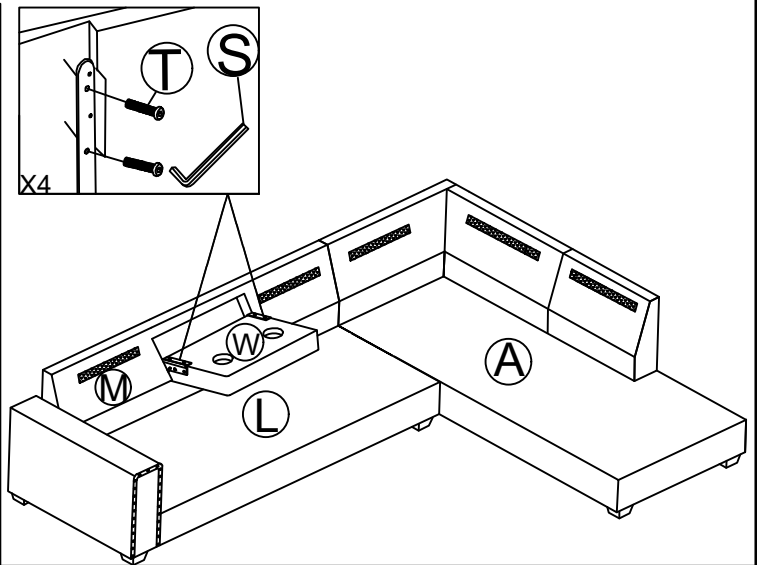
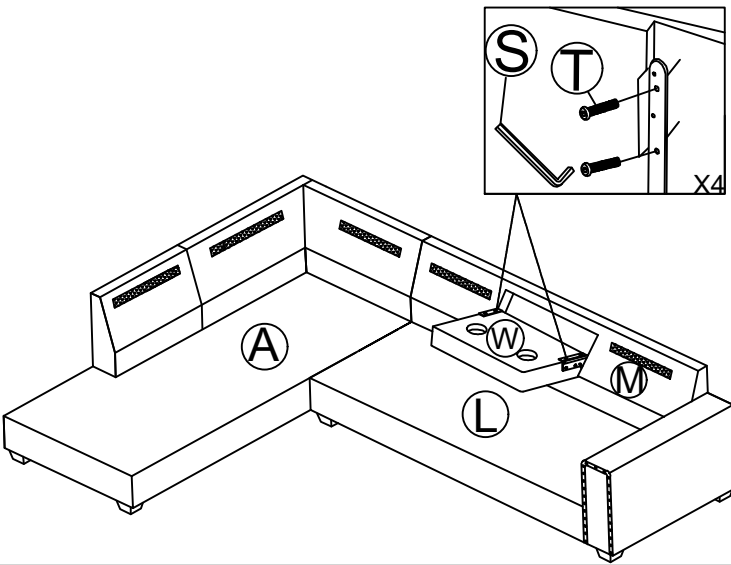


Step 9:

Attach W to the back rest M by using T x 4.

Option 1

Option 2



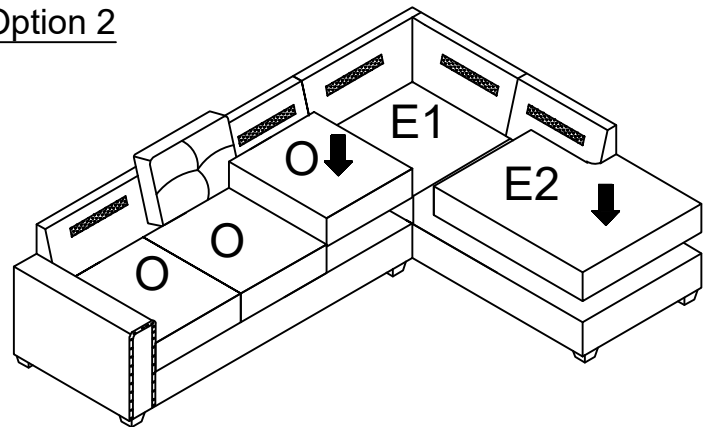
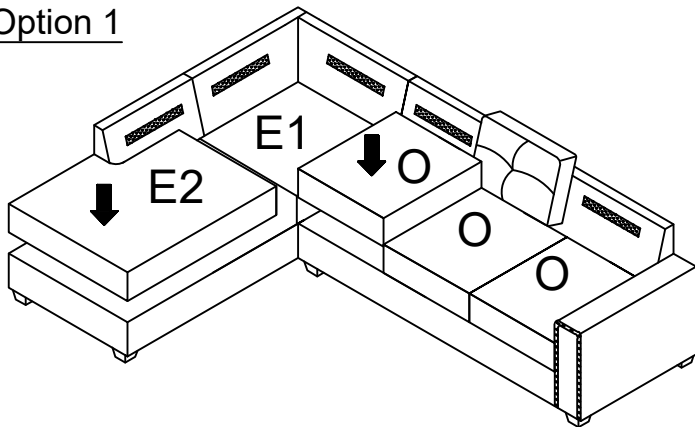
Step 10:

Remove seat cushion from their package

Place E1x1, E2x1, and Ox3 onto the sofa as show below.

Option 1

Option 2



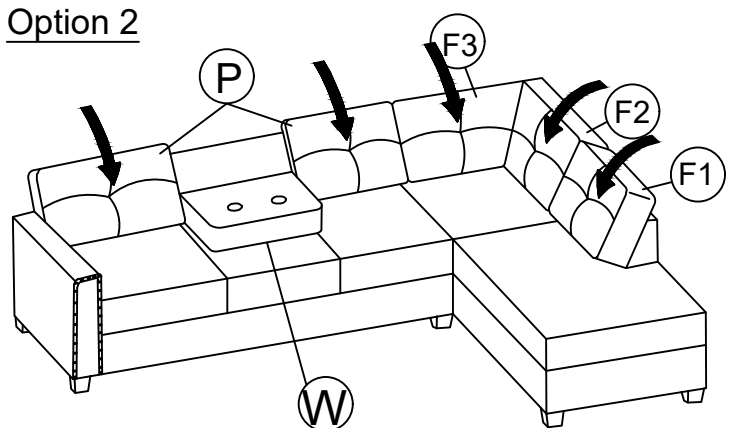
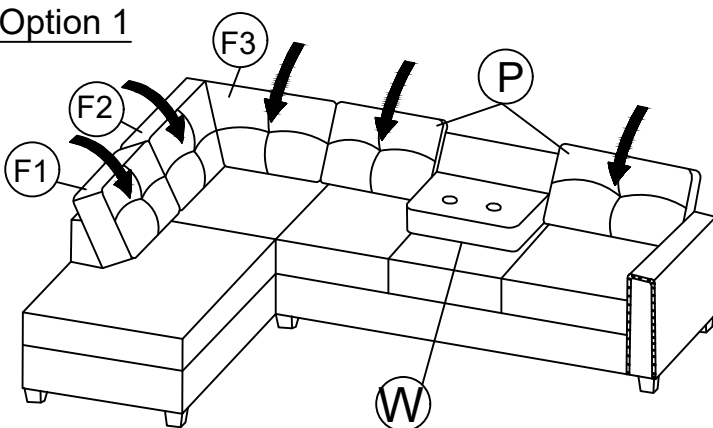
Step 11:

Remove back cushion from their package

Place F1x1, F2x1, F3x1 and Px2 onto the sofa. As show below.

Option 1

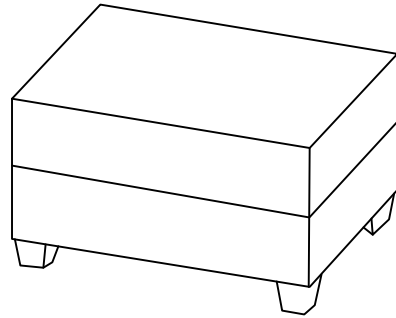
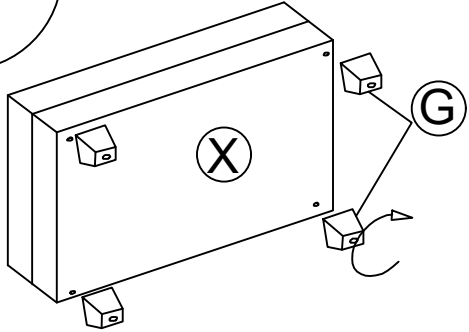
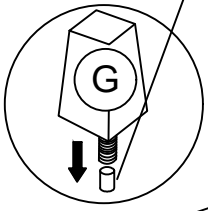
Option 2



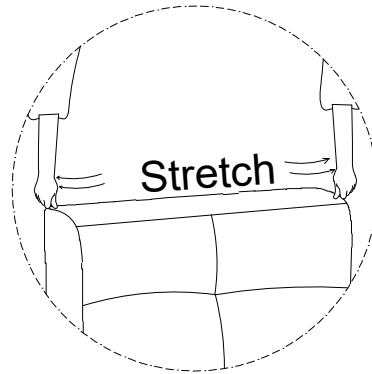
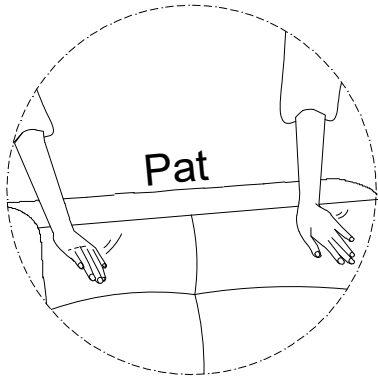
Step 12:

Manually legs G x 4 to X, as shown.

▲ Please remove the protective cap on the tip of thread before assembling.

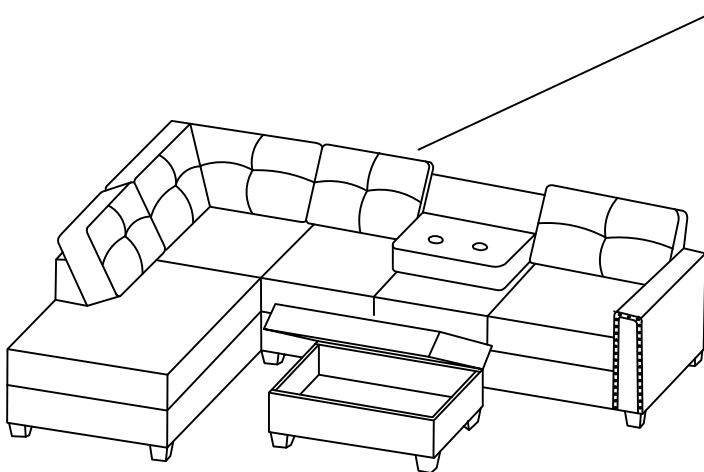


Tips: Stretch, pull down and pat seat cushions and back cushions to return nature shape and state.

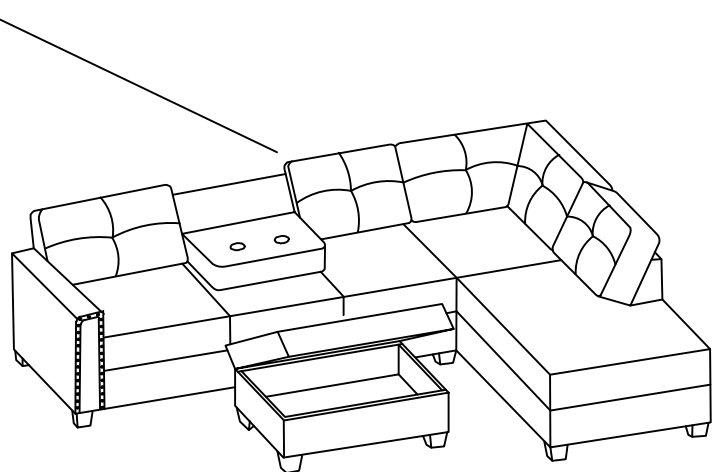


Assembly Completed !

THE CONSOLE PIECE CAN BE DROPPED DOWN AND TURN INTO AN ARMREST PANEL WITH CUP HOLDERS



OPTION 1: CHAISE ON LEFT



OPTION 2: CHAISE ON RIGHT