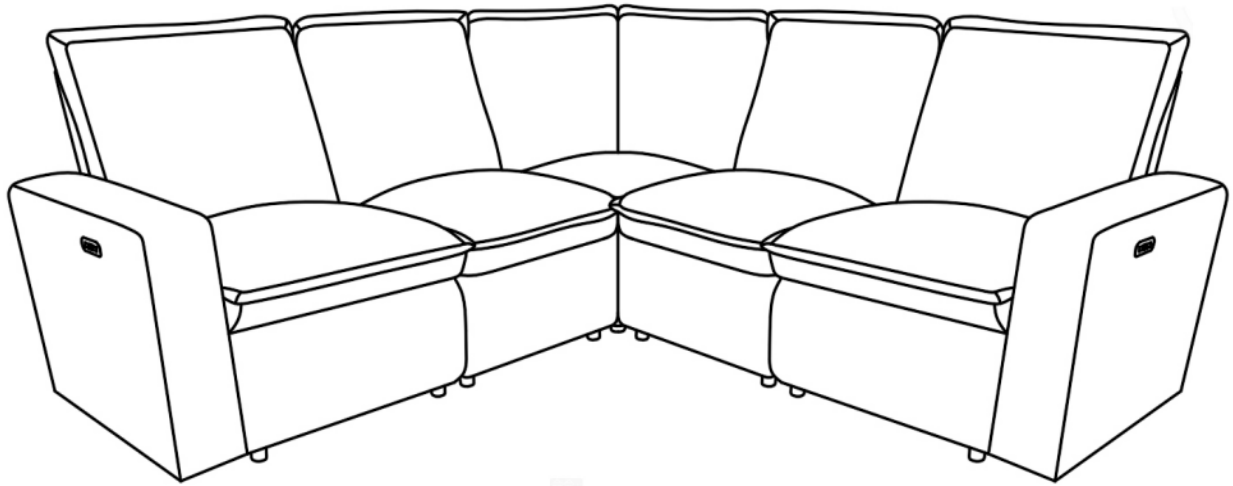
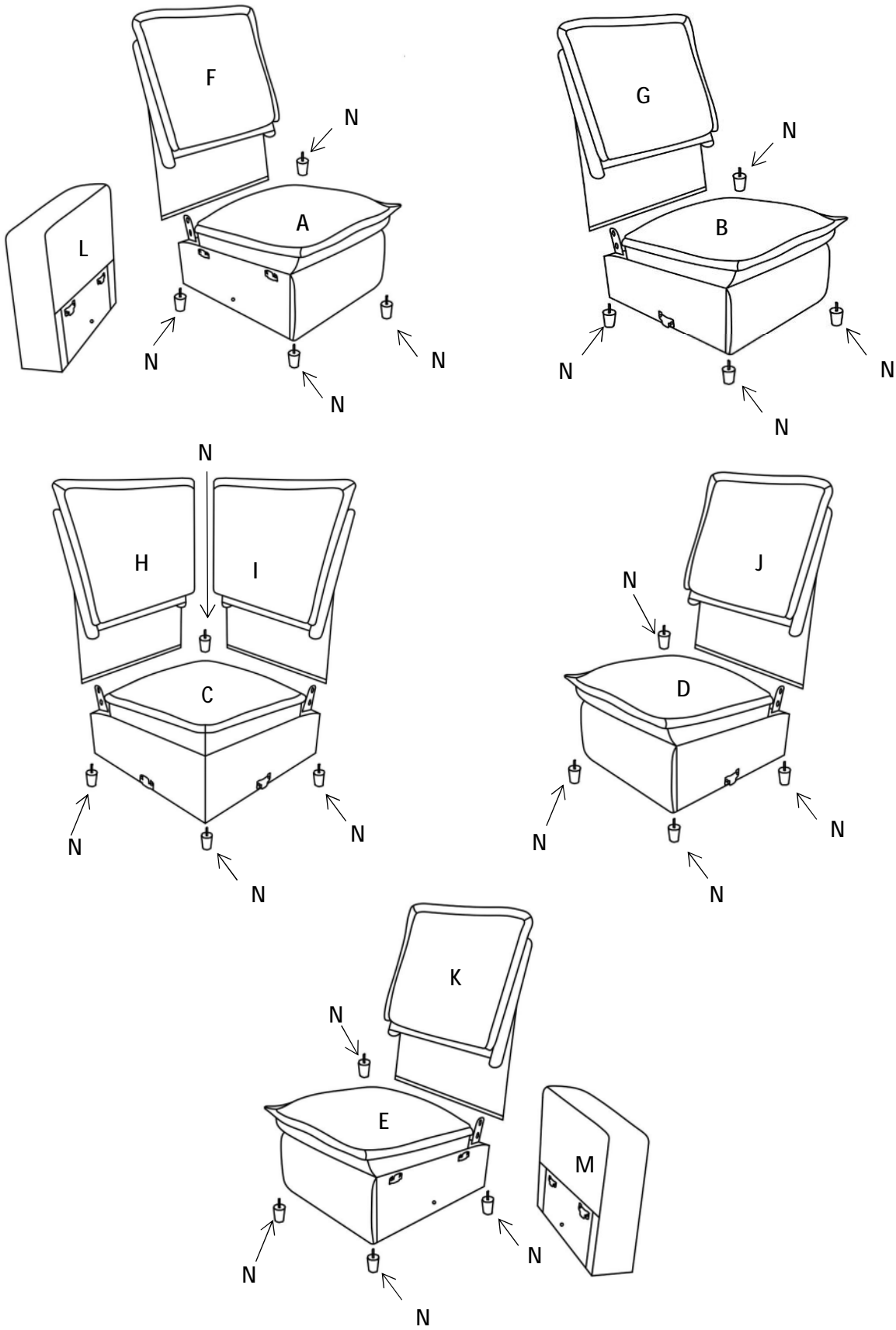


Assembly Instruction

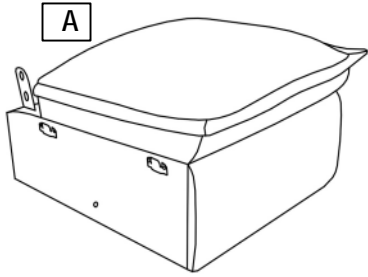


**WF306868/WF306869/WF306870/
WF306871/WF310047**

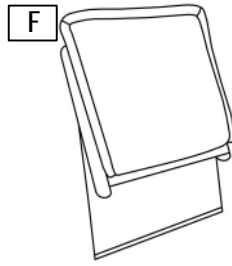
PARTS



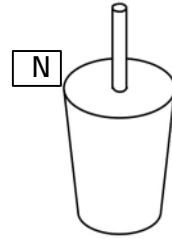
PARTS LIST-BOX 1 SKU:WF306870



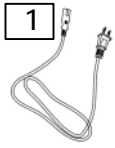
Lhf Recliner Base X 1PC



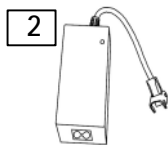
Lhf Recliner Backrest X 1PC



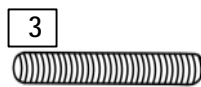
Leg X 4PCS



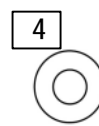
Power cord X 1PC



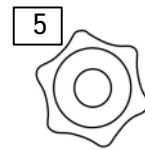
Transformer X 1PC



Bolt X 1PC

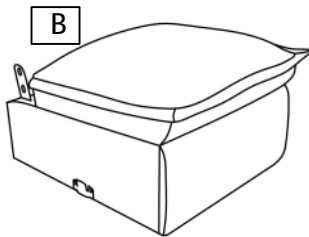


Washer X 1PC

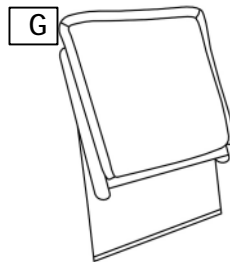


Spring Washer X 1PC

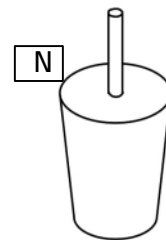
PARTS LIST-BOX 2 SKU:WF306871



Armless Chair Base X 1PC

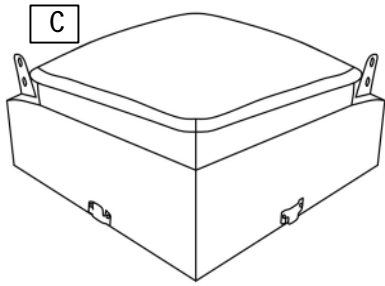


Armless Chair Backrest X 1PC

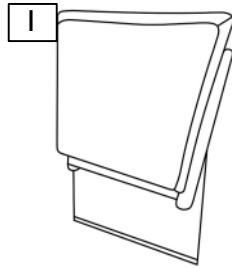


Leg X 4PCS

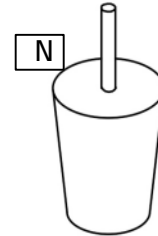
PARTS LIST-BOX 3 SKU:WF306869



Wedge Base X 1PC

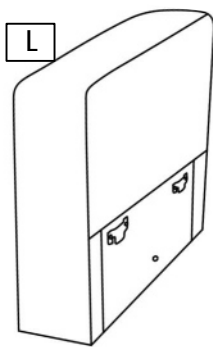


Wedge Rhf Backrest X 1PC

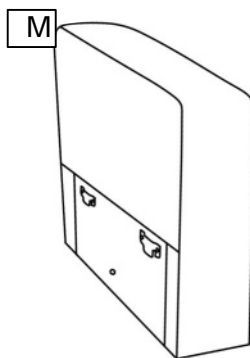


Leg X 4PCS

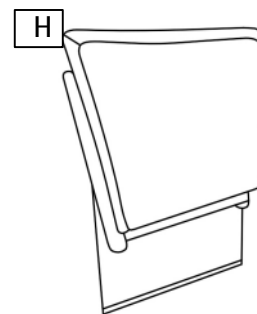
PARTS LIST-BOX 4 SKU:WF306868



Lhf Armrest X 1PC

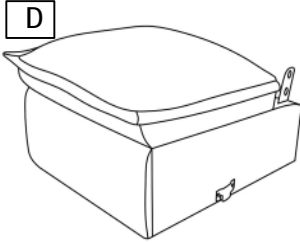


Rhf Armrest X 1PC

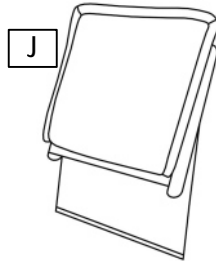


Wedge Lhf Backrest X 1PC

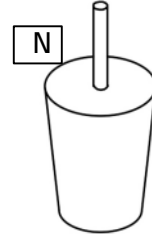
PARTS LIST-BOX 5 SKU:WF306871



Armless Chair Base X 1PC

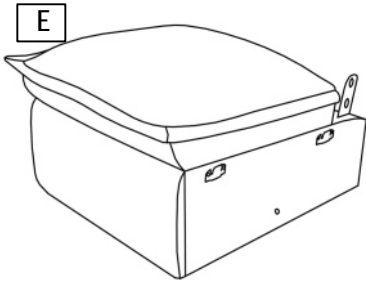


Armless Chair Backrest X 1PC

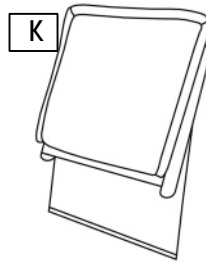


Leg X 4PCS

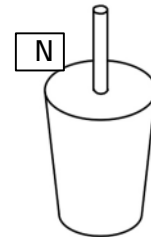
PARTS LIST-BOX 6 SKU:WF310047



Rhf Recliner Base X 1PC



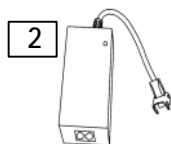
Rhf Recliner Backrest X 1PC



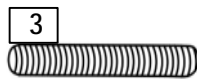
Leg X 4PCS



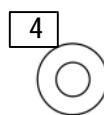
Power cord X 1PC



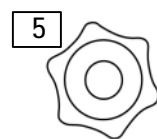
Transformer X 1PC



Bolt X 1PC

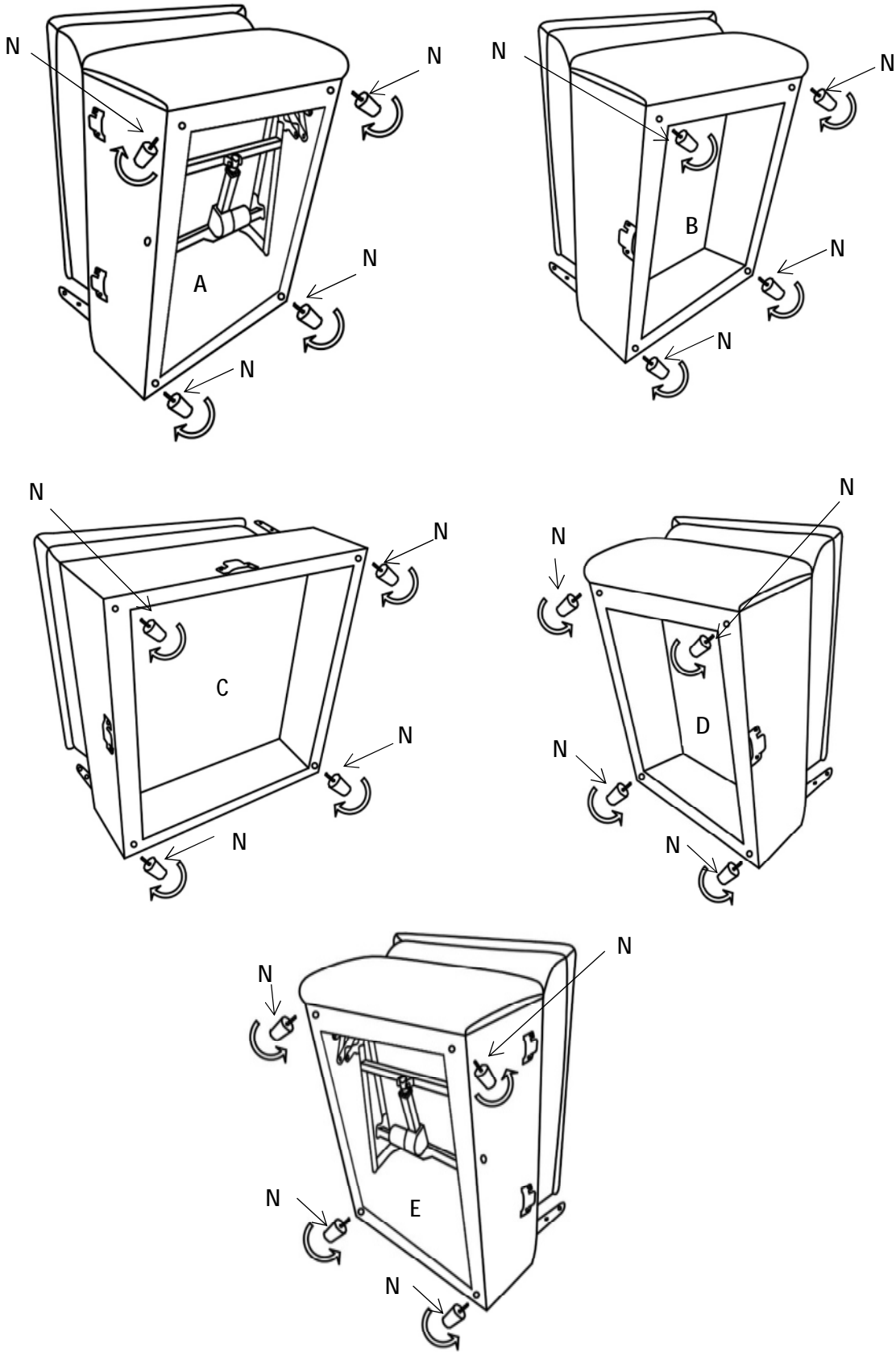


Washer X 1PC

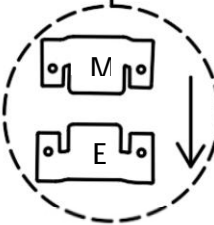
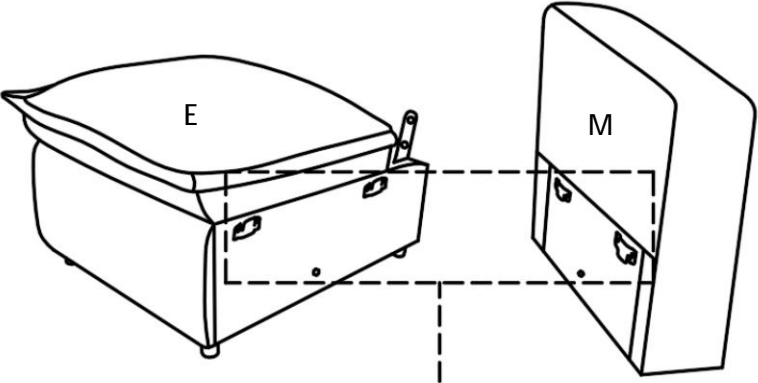
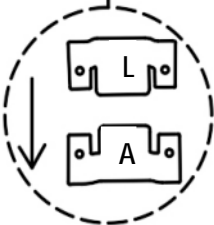
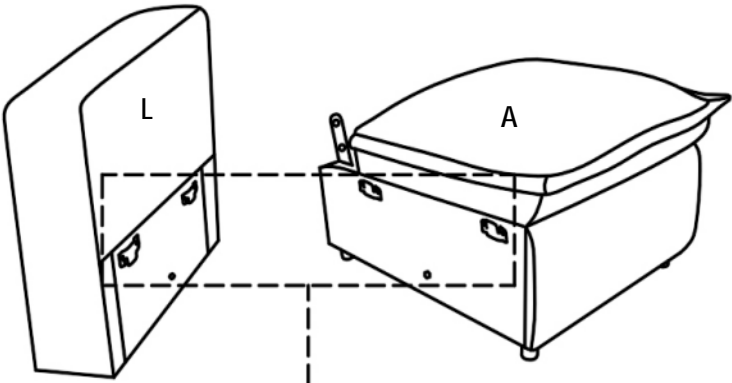


Spring Washer X 1PC

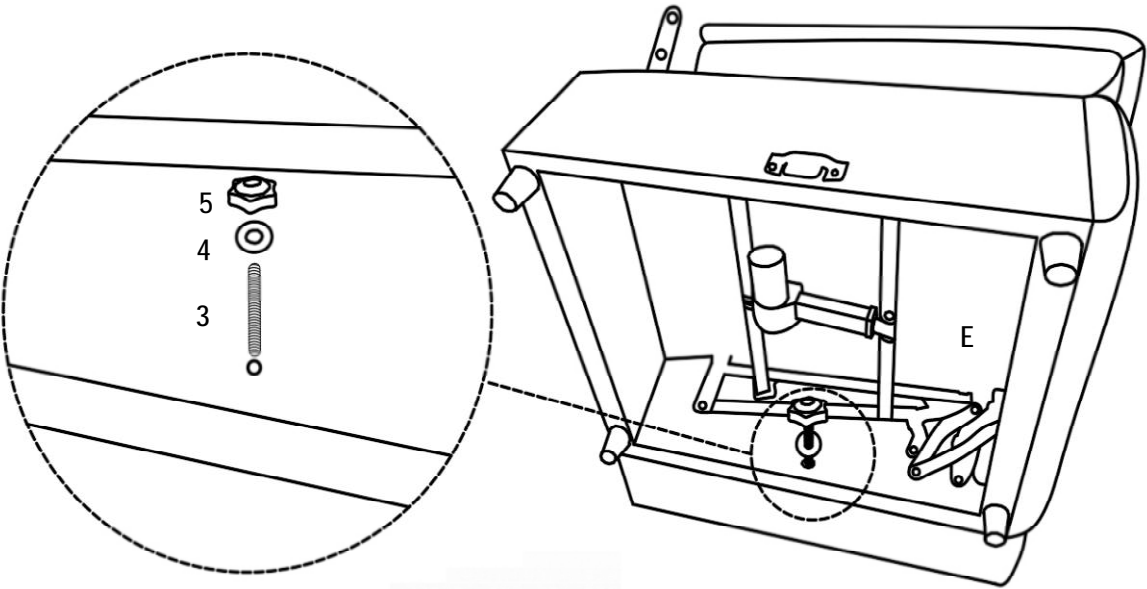
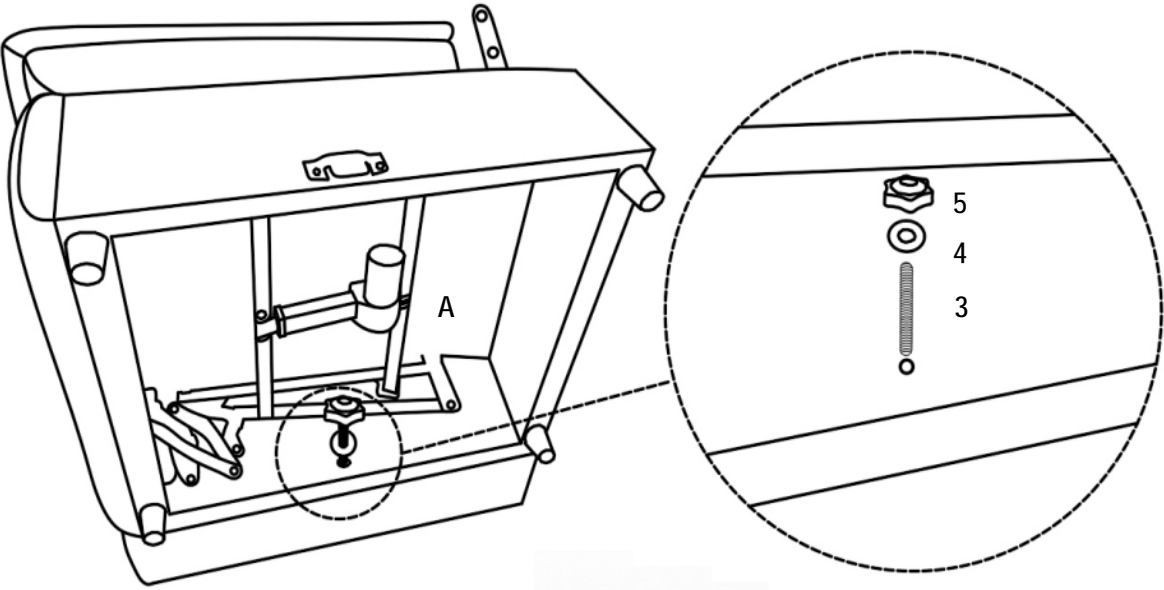
STEP 1: Manually screw N X 4 to A, N X 4 to B, N X 4 to C, N X 4 to D, N X 4 to E



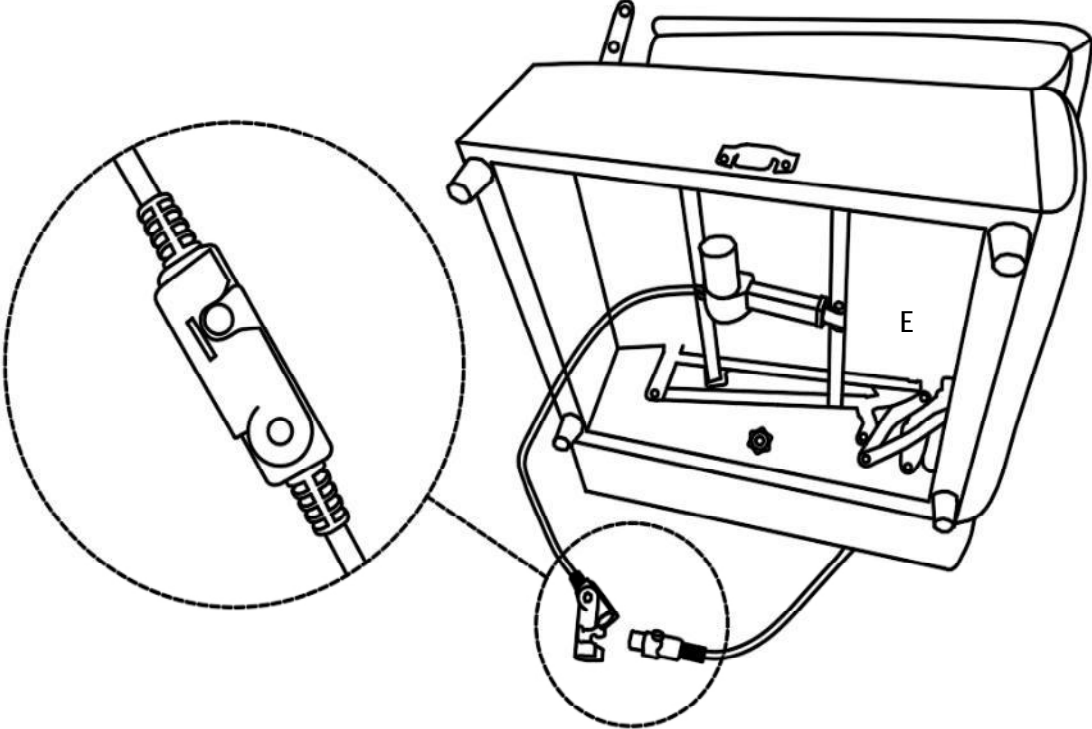
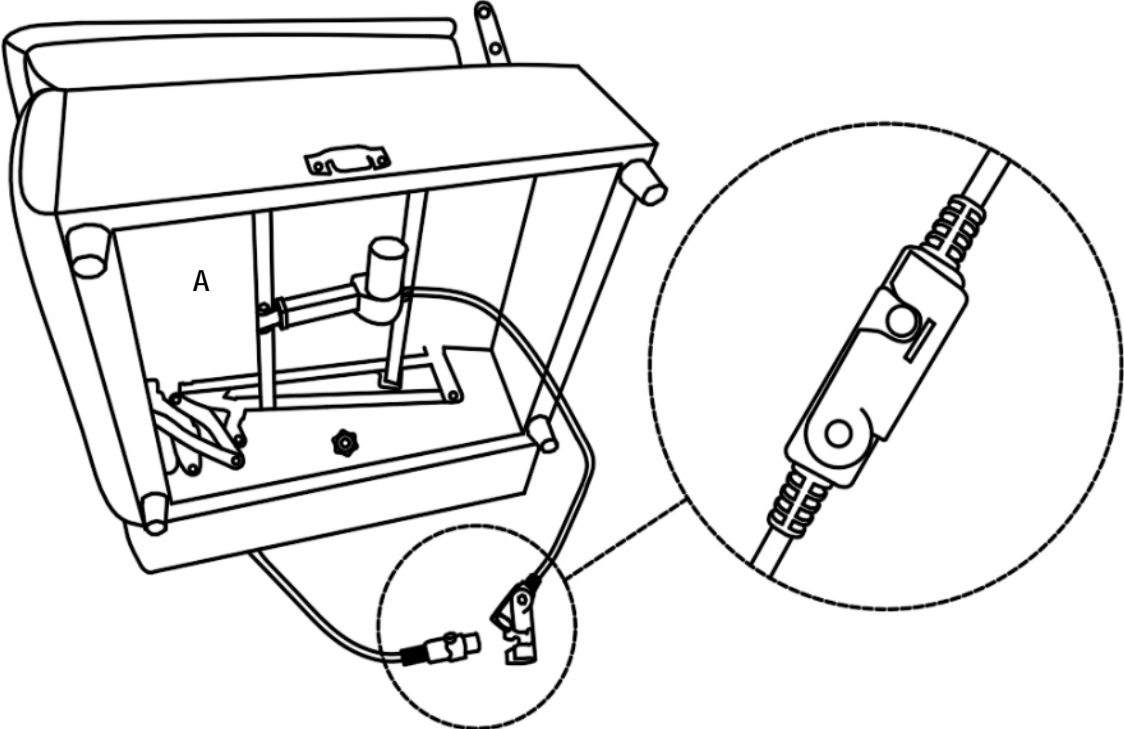
STEP 2: Insert L to A, M to E



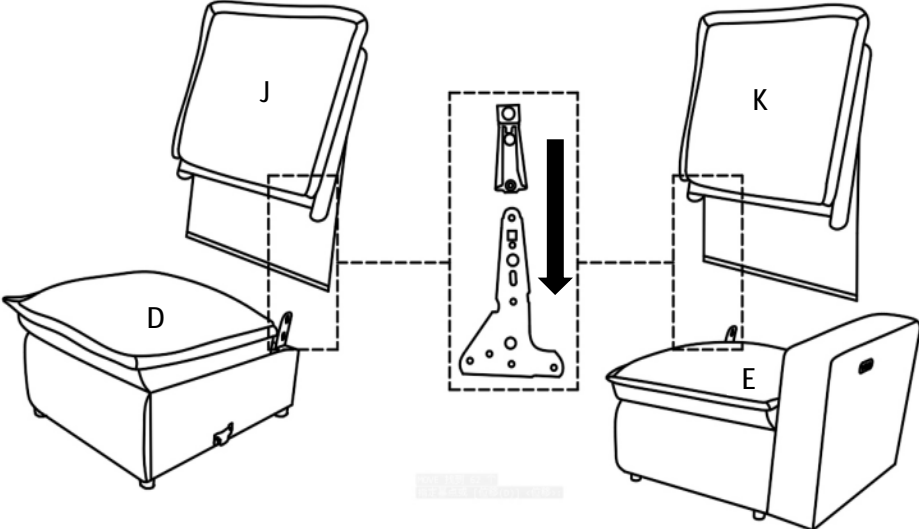
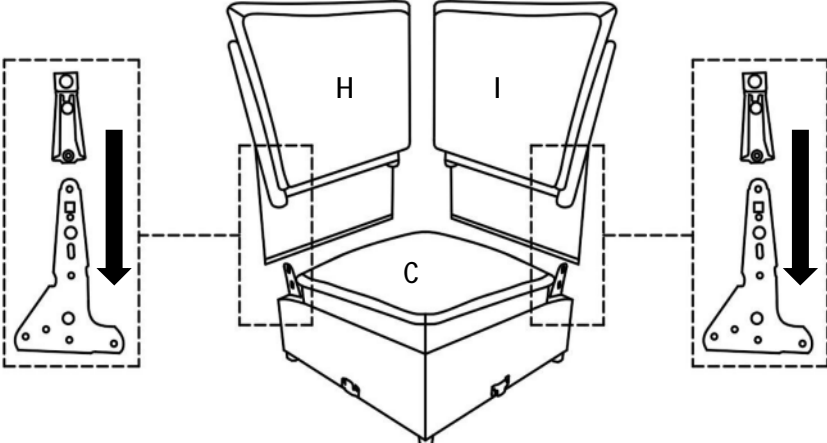
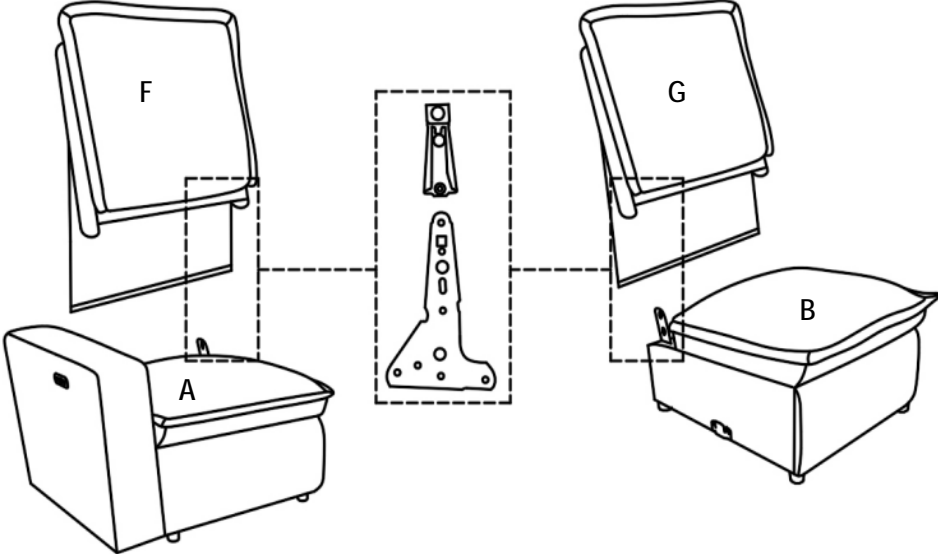
STEP 3: Attach to A&E with 3, 4, 5,



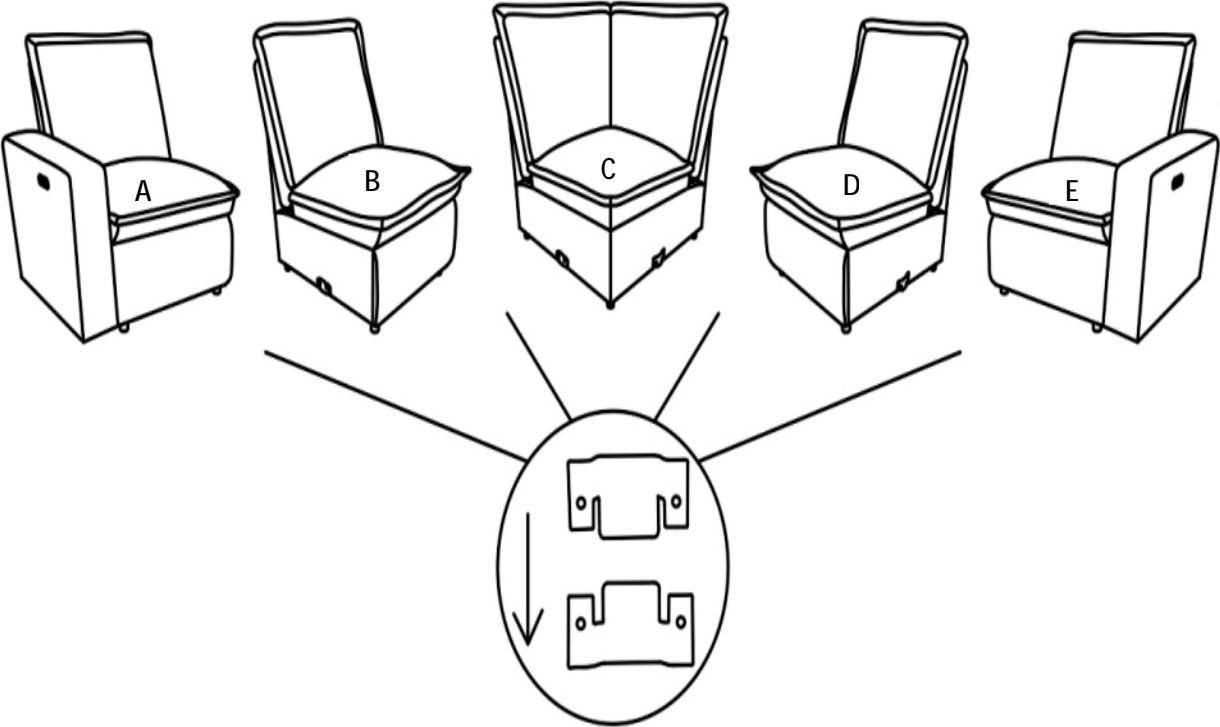
STEP 4: Attach to A&E as shown



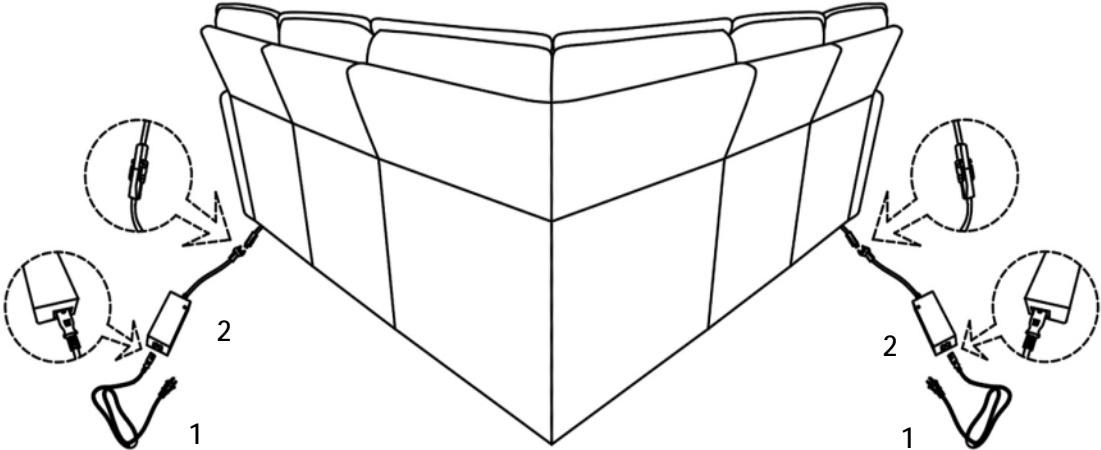
STEP 5: Insert F to A, G to B, H&I to C, J to D, K to E



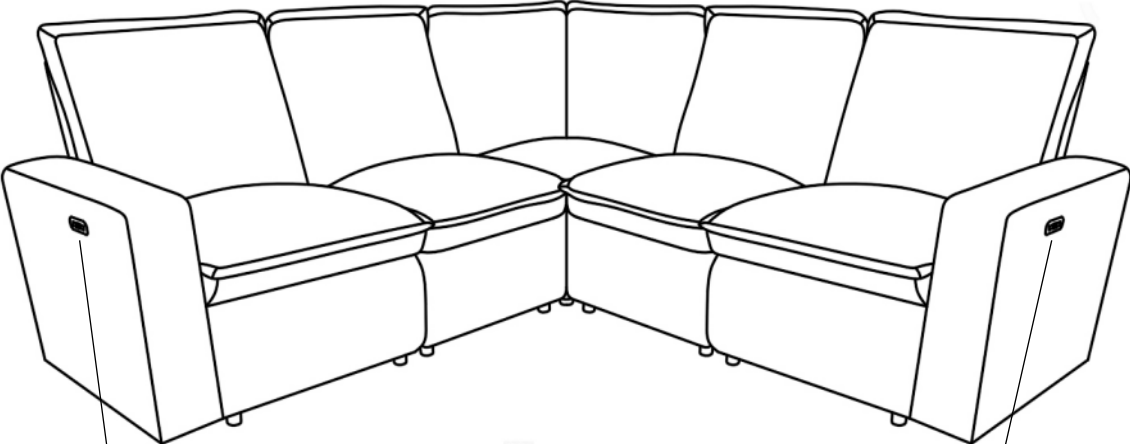
STEP 6: Insert A to B, B to C, C to D, D to E



STEP 7: Attach to A&E with 1,2



STEP 8: Ready to use



USB

