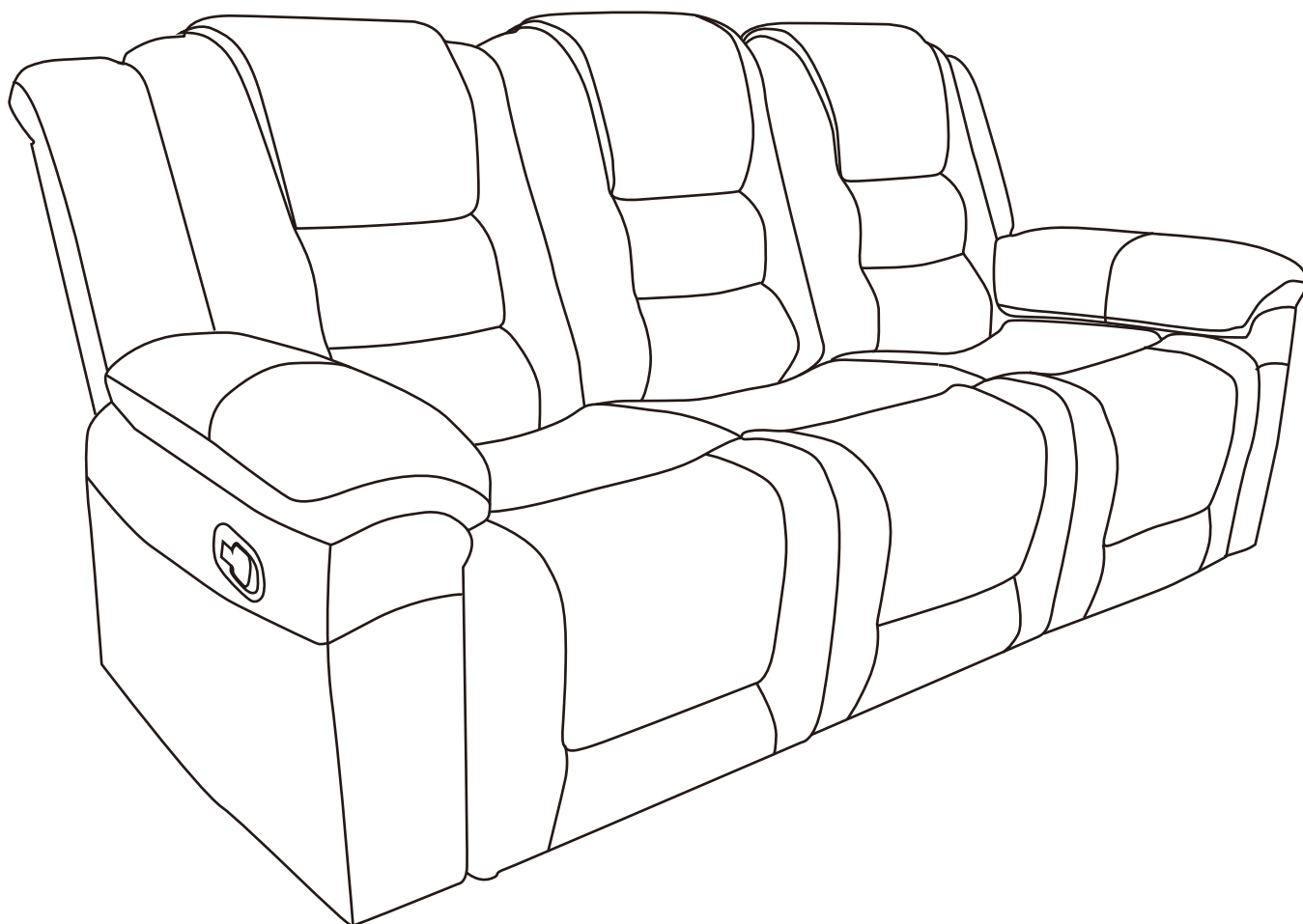


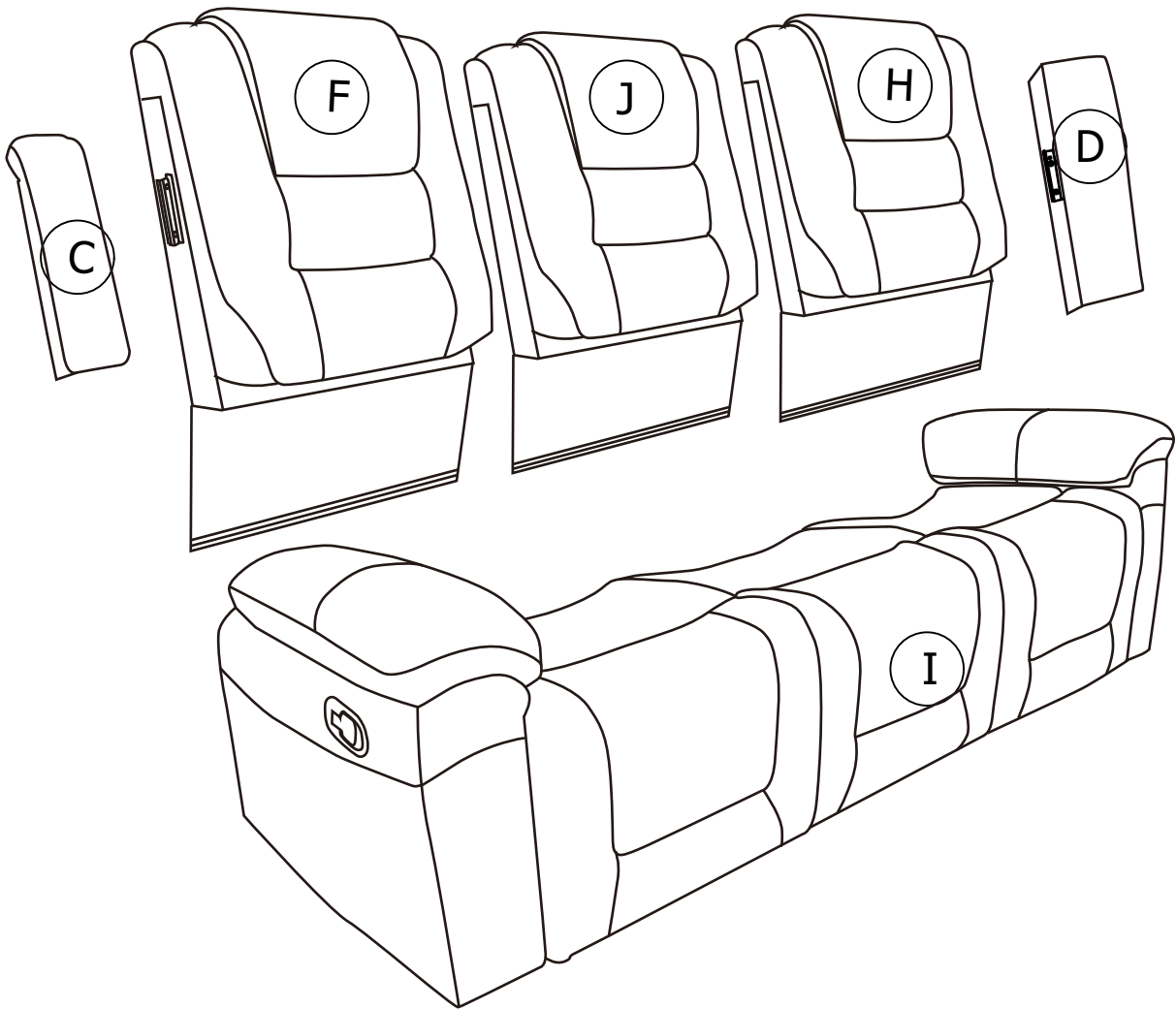
# ASSEMBLY INSTRUCTION

**WF323620**

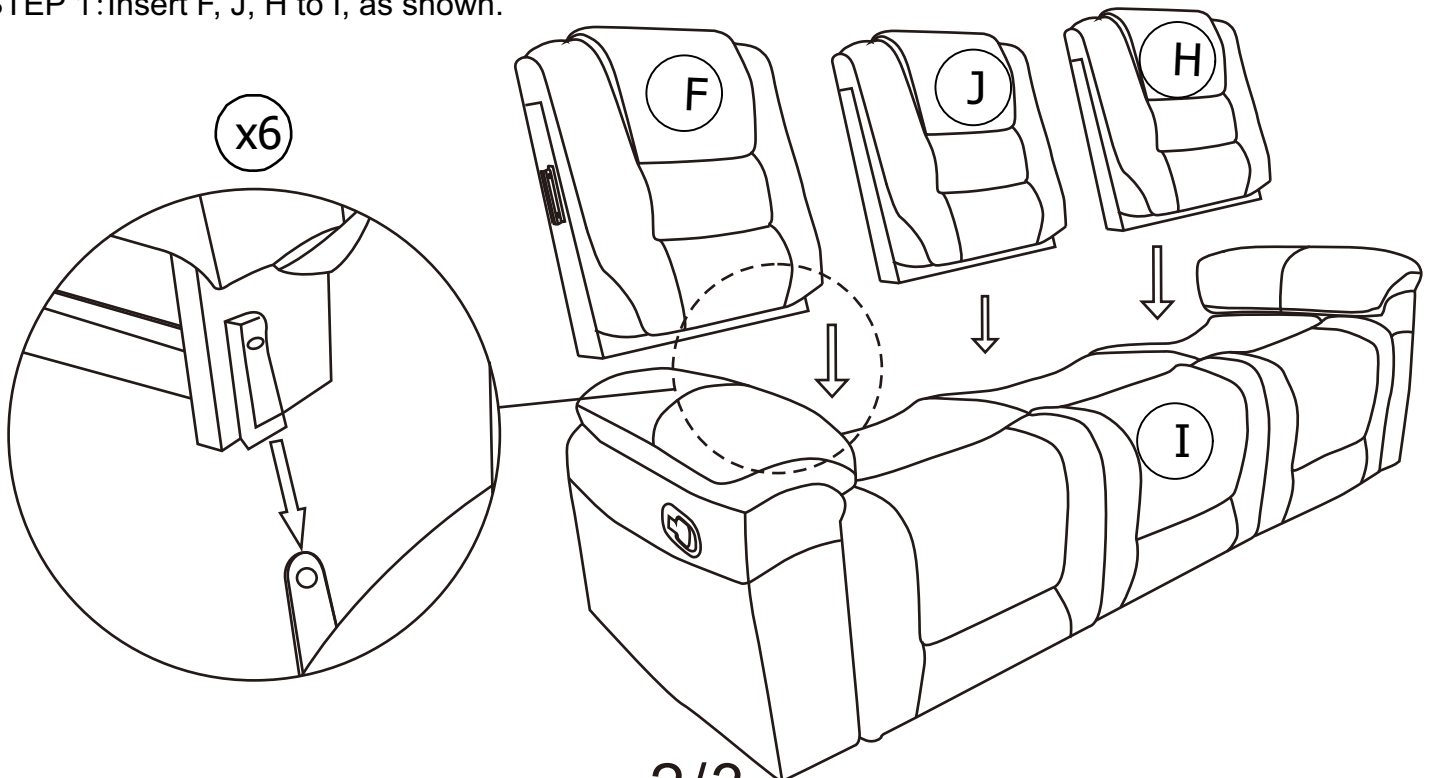


# ASSEMBLY INSTRUCTION

## PARTS LIST



STEP 1: Insert F, J, H to I, as shown.



STEP 2: Insert C to F, as shown.  
Insert D to H, as shown.

