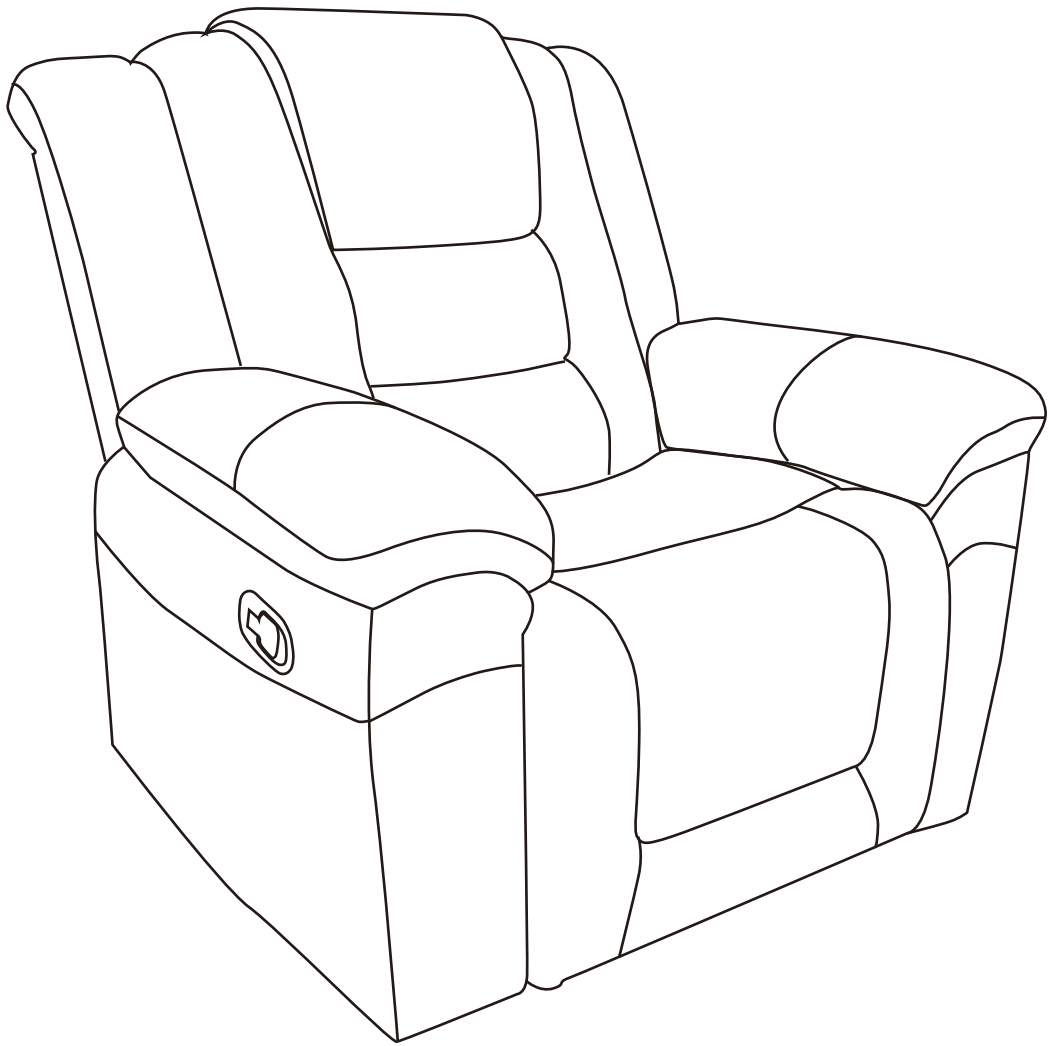


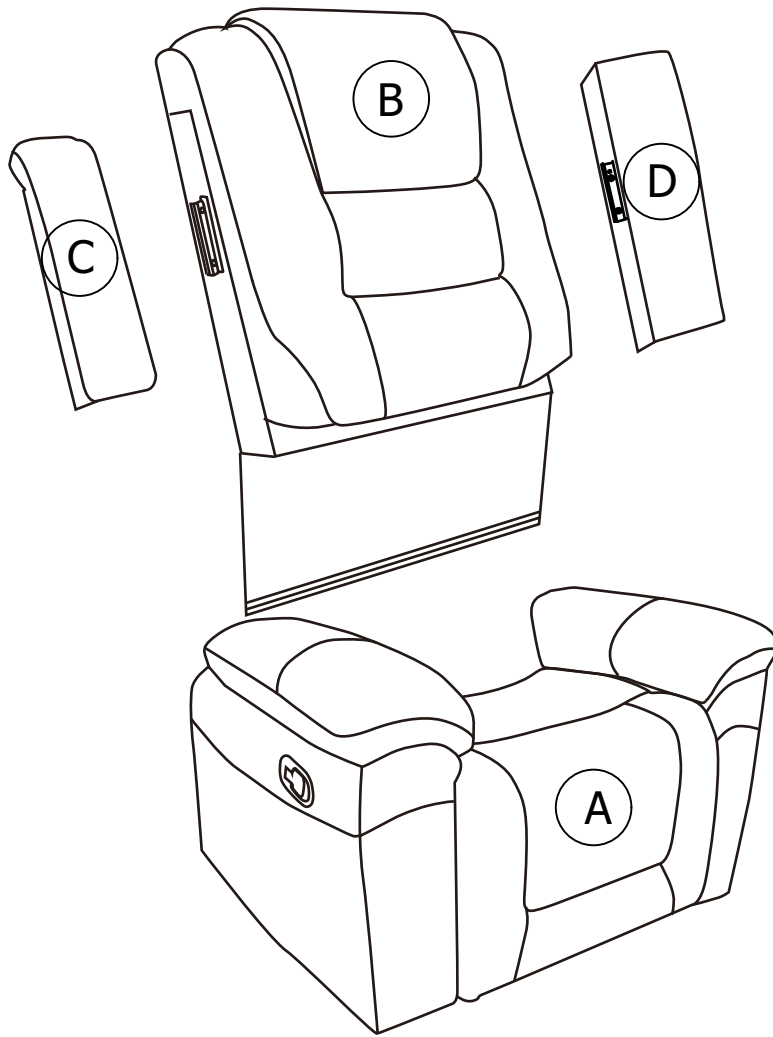
ASSEMBLY INSTRUCTION

WF323618

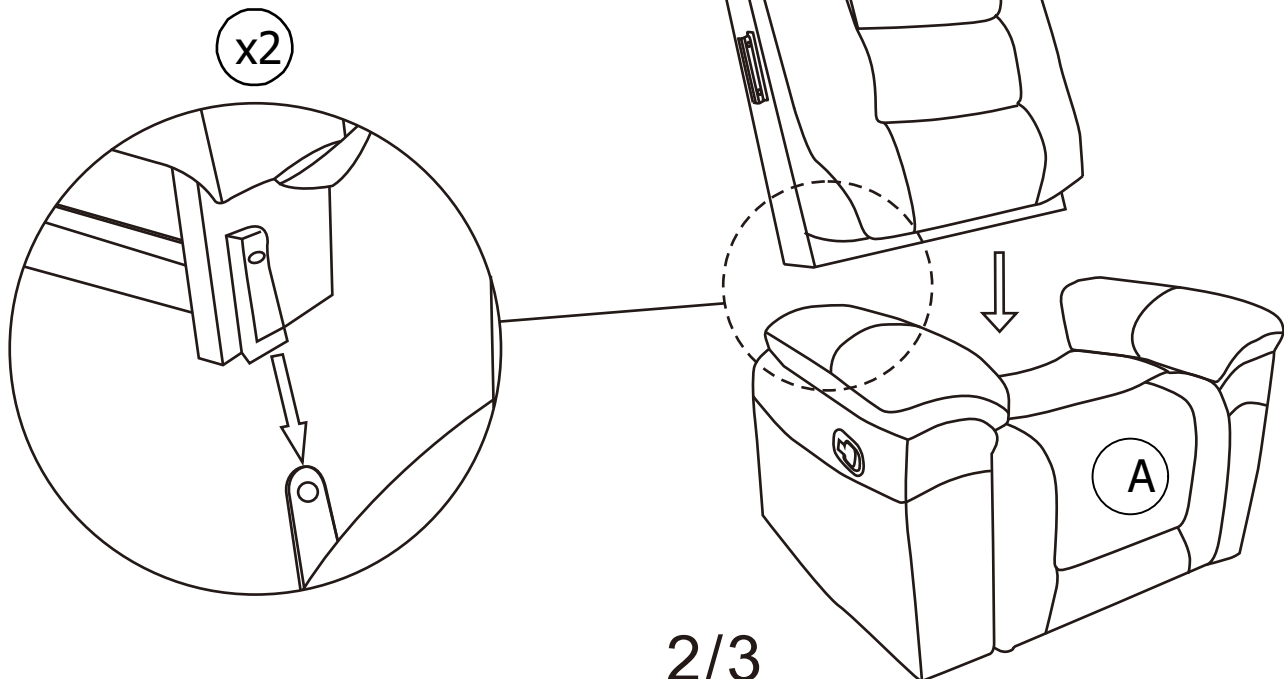


ASSEMBLY INSTRUCTION

PARTS LIST



STEP 1: Insert B to A, as shown.



ASSEMBLY INSTRUCTION

STEP 2: Insert C and D to B, as shown.

