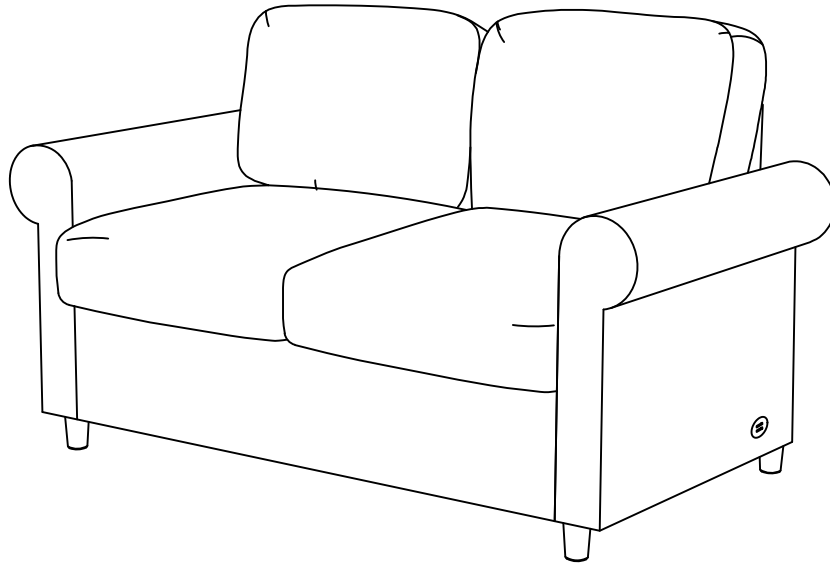
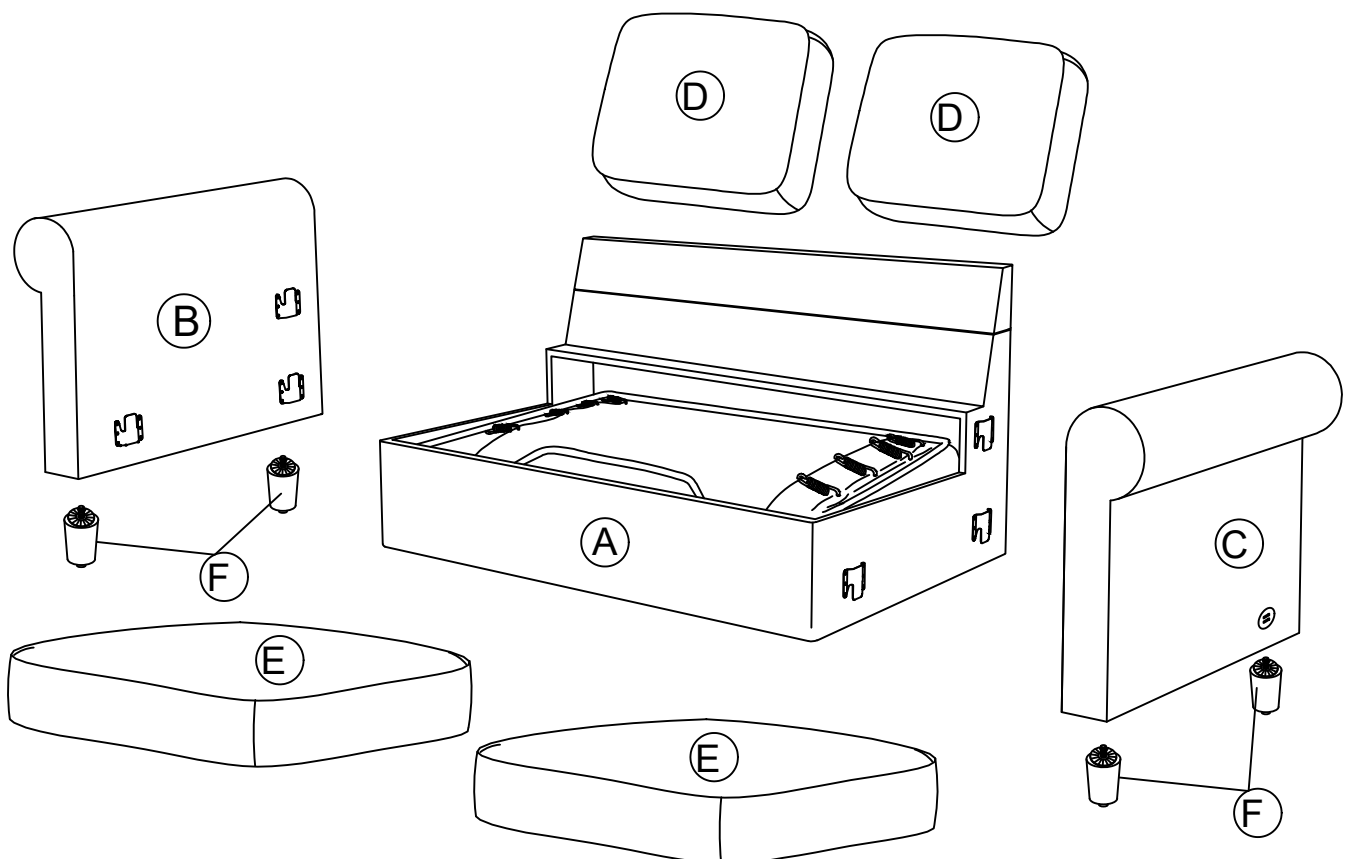


ASSEMBLY INSTRUCTION

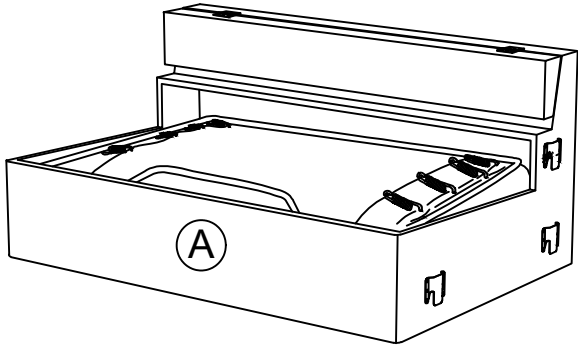
ITEM NO.: WF318065



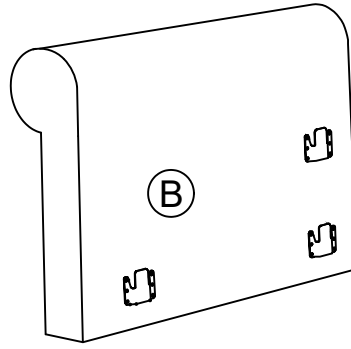
PARTS



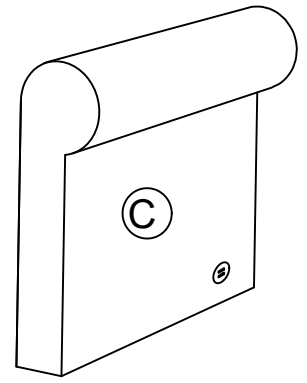
PARTS LIST



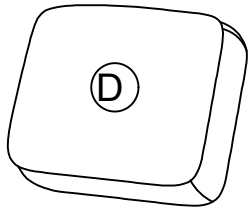
Chair Body
X 1PC



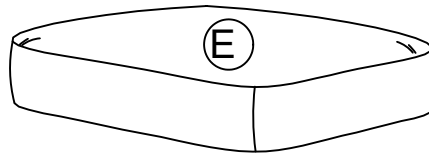
Arm Left
X 1PC



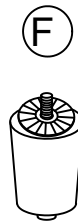
Arm Right
X 1PC



Back Cushion
X 2PCS

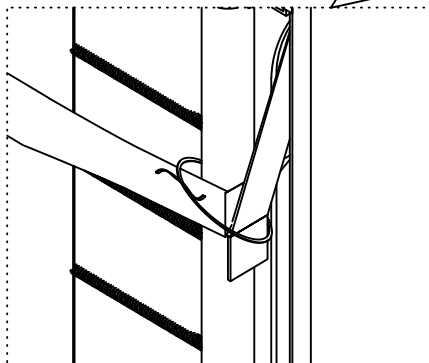
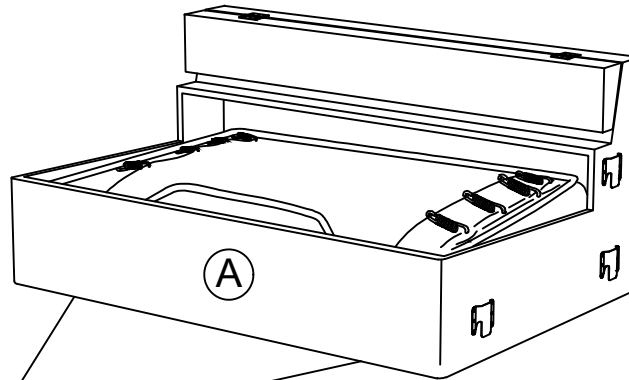


Seat Cushion
X 2PCS



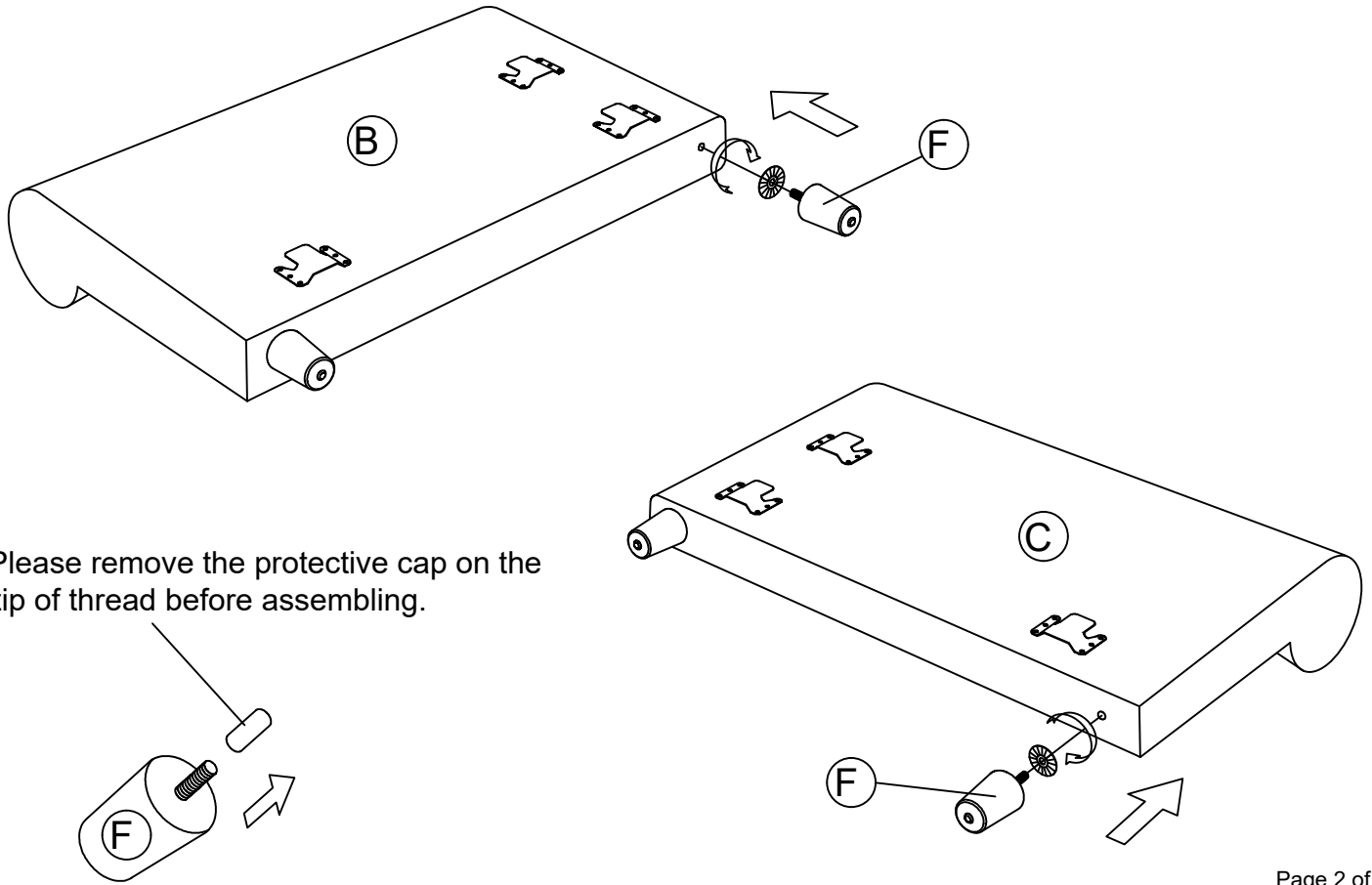
Legs
X 4PCS

STEP 1: The folding bed assembly has been secured with Tie-wraps for transportation purposes. **DO NOT** remove the tie-wraps on the front of bars of the assembly until you have finished Step X of the assembly process.

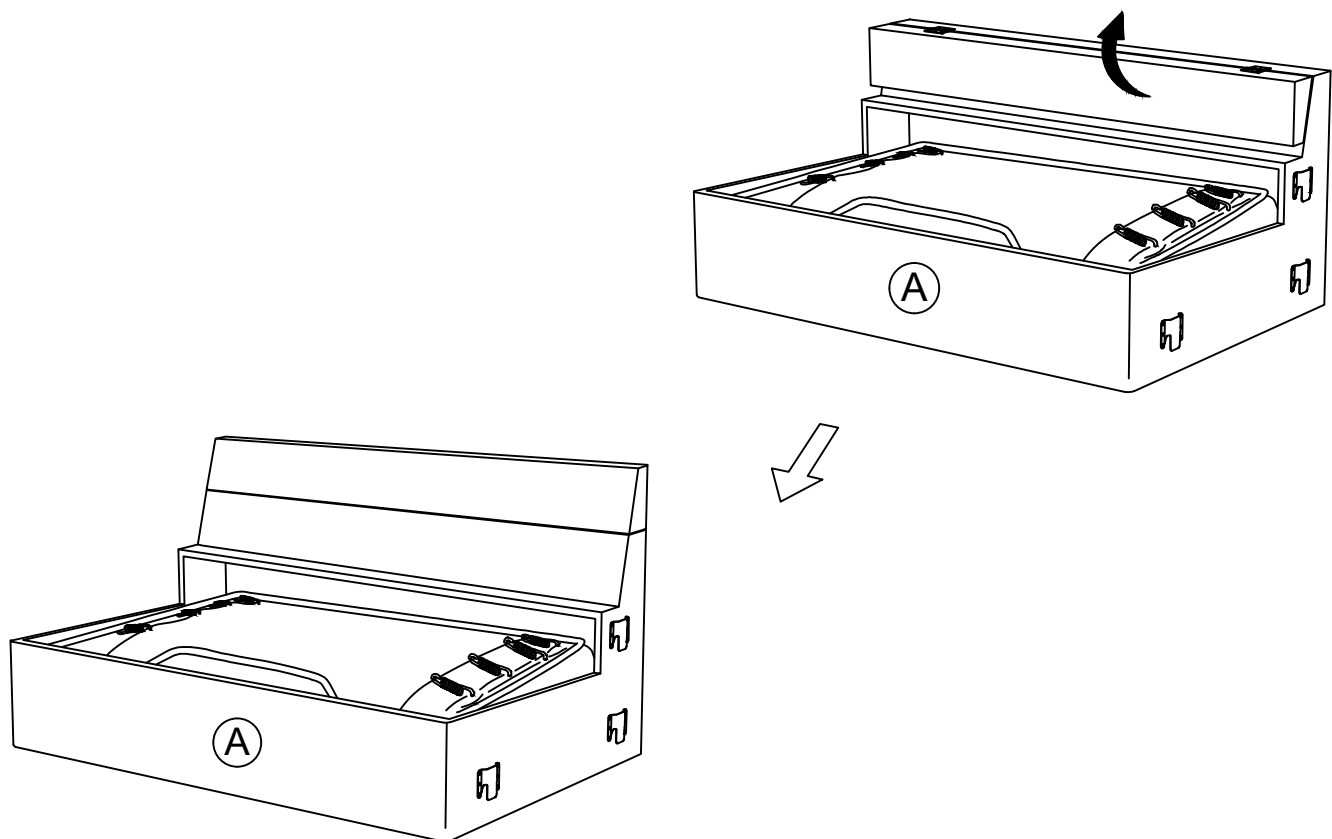


STEP 2:

1.1 Attach F x 4 to B x 1 & C x 1.

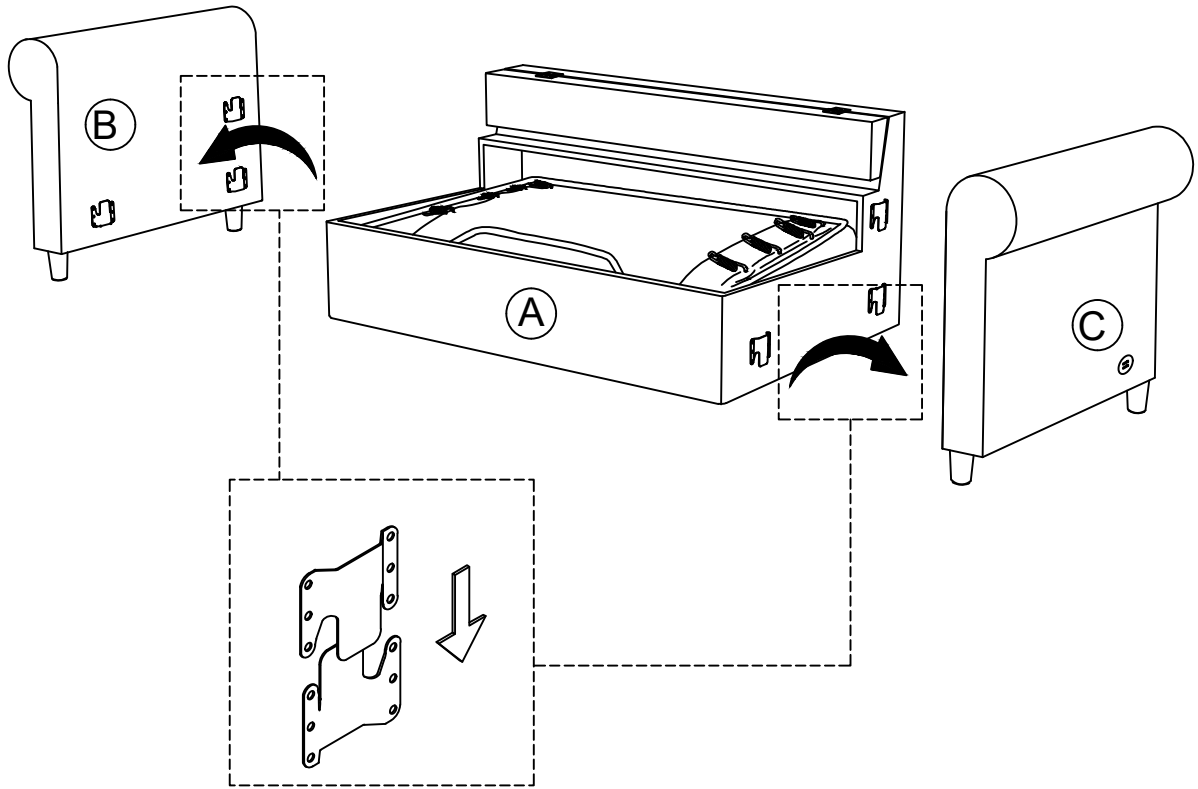


STEP 3: Unfold the backrest, as show.



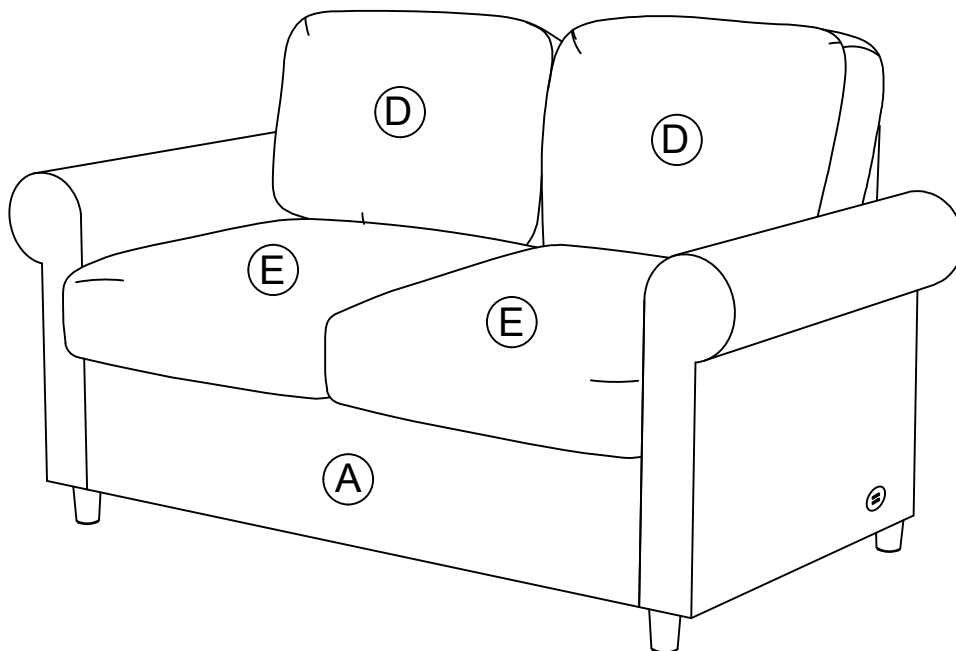
STEP 4:

1.1 Attach A x 1 to B x 1 & C x 1.



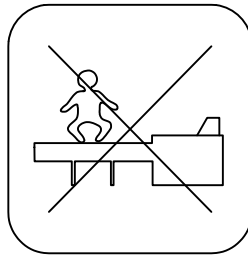
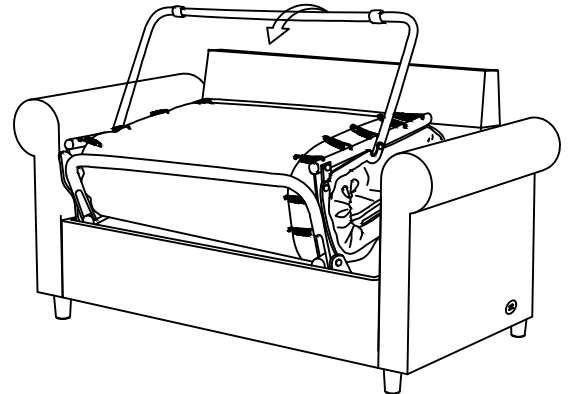
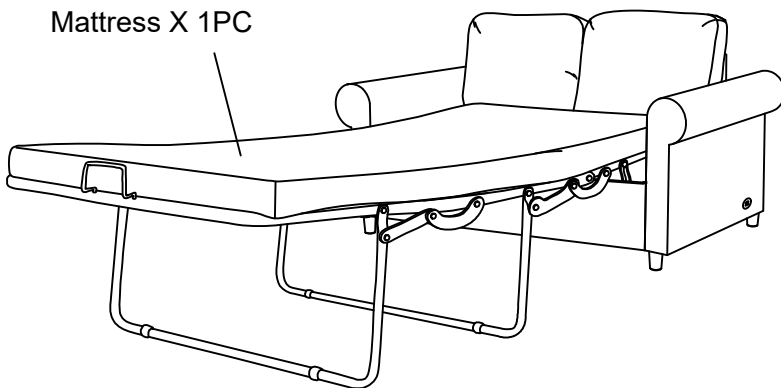
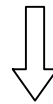
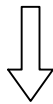
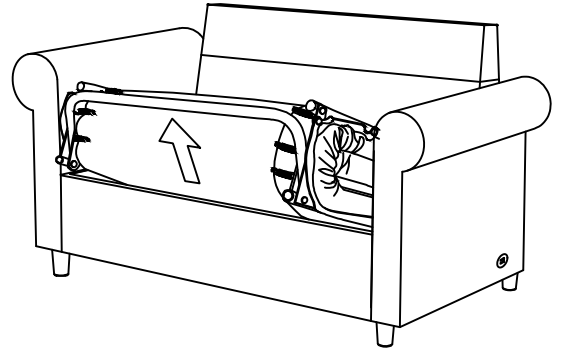
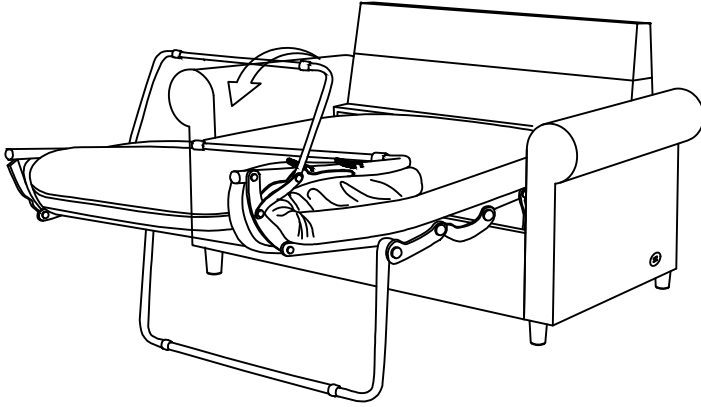
STEP 5:

1.1 Attach D x 2 & E x 2 to A.



Helpful Hints

- Your futon can transform between a Sofa.
- Move your new furniture carefully, with two people lifting and carrying the unit to its new location.
- Your furniture can be disassembled and reassembled to move.
- Clean the product with a soft damp cloth. DO NOT use harsh chemicals or abrasive cleaners.



DO NOT fold while
linens or cushions are
on the mattress.

DO NOT jump on bed.
DO NOT allow children to
open or close the sofa bed.

DO NOT allow children to play underneath sofa when in the bed position.