



**COMPLETED ASSEMBLY**

<b>PARTS LIST</b>			
<b>A</b>		<b>1</b>	<b>CHAIR</b>
<b>B</b>		<b>1</b>	<b>BACKREST</b>

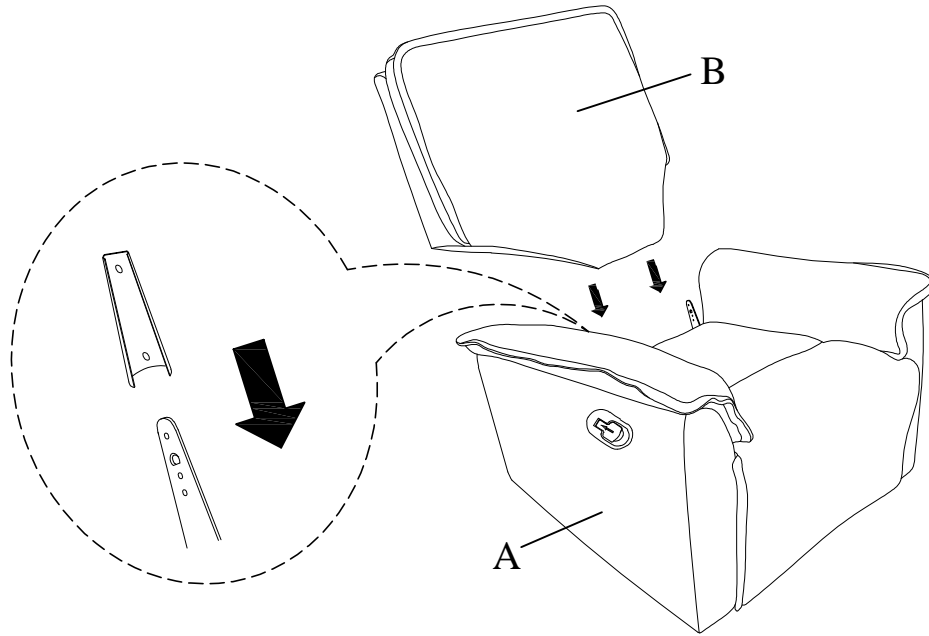
**NOTES:**

- 1.CHECK CAREFULLY FOR SMALL PARTS WHICH MAY COME LOOSE DURING SHIPMENT.
- 2.REMOVE ALL COMPONENTS FROM THE PACK AND PLACE ON A CLEAN, SOFT SURFACE TO ASSEMBLE
- 3.UNITS SHOULD BE ASSEMBLED BY TWO OR MORE PEOPLE.
- 4.DO NOT OVER -TIGHTEN SCREW/ BOLTS UNTIL ASSEMBLY IS COMPLETED.
- 5.WITH USE, SCREW MAY BE COME LOOSE & MUST BE TIGHTENED PERIODICALLY.

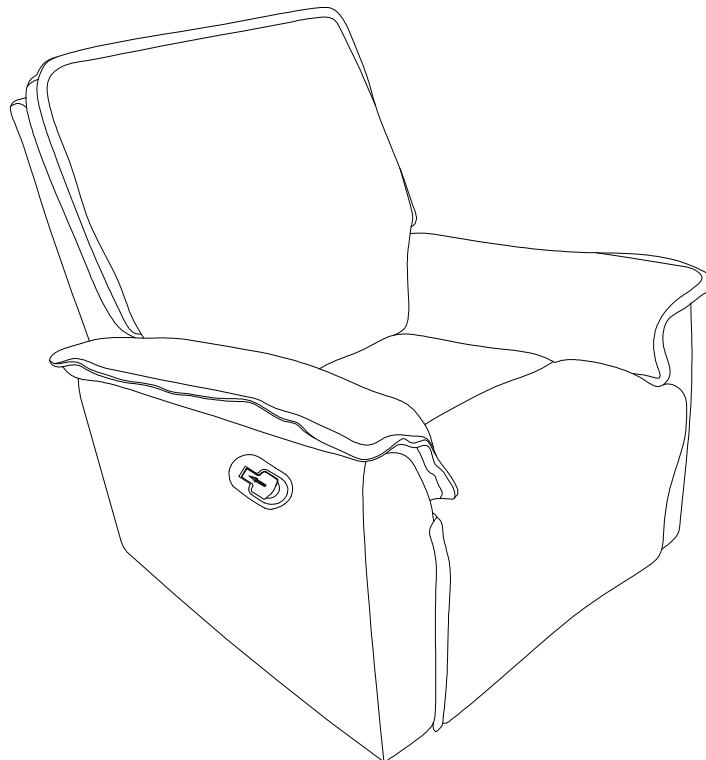


**STEP 1** Important:

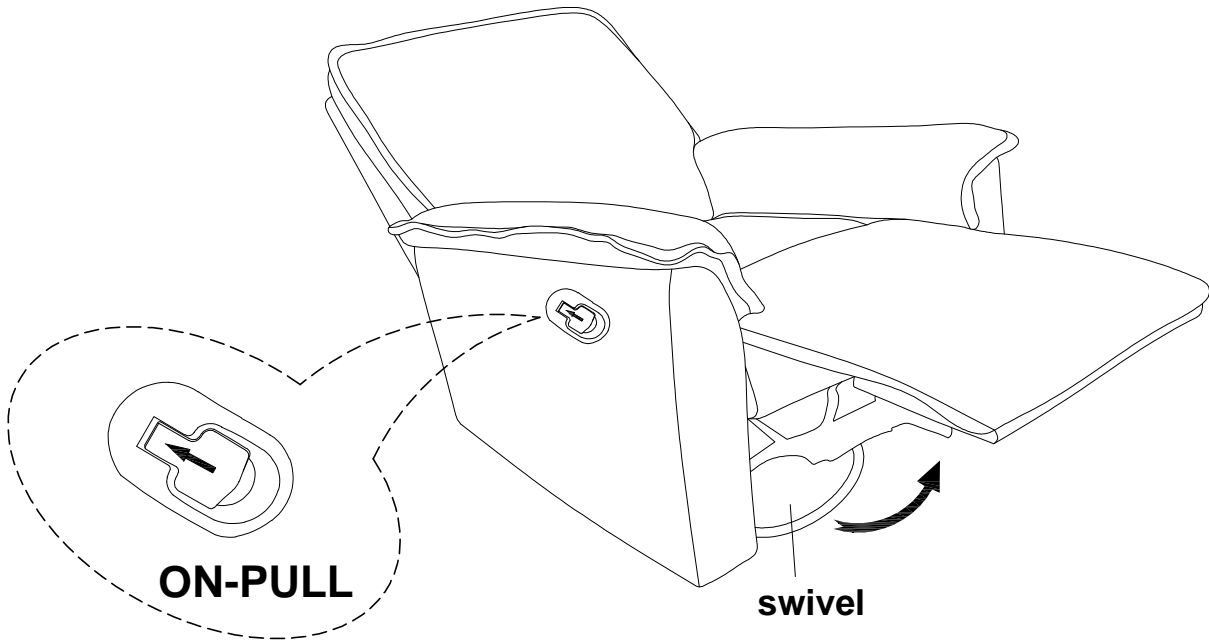
1. Attach **Backrest (B)** to the Chair (**A**).



**STEP 2**



- STEP 3** Important:
1. **Open the Footrest by pulling out the Switch**



- STEP 4** Important:
1. **Complete assembly.**

