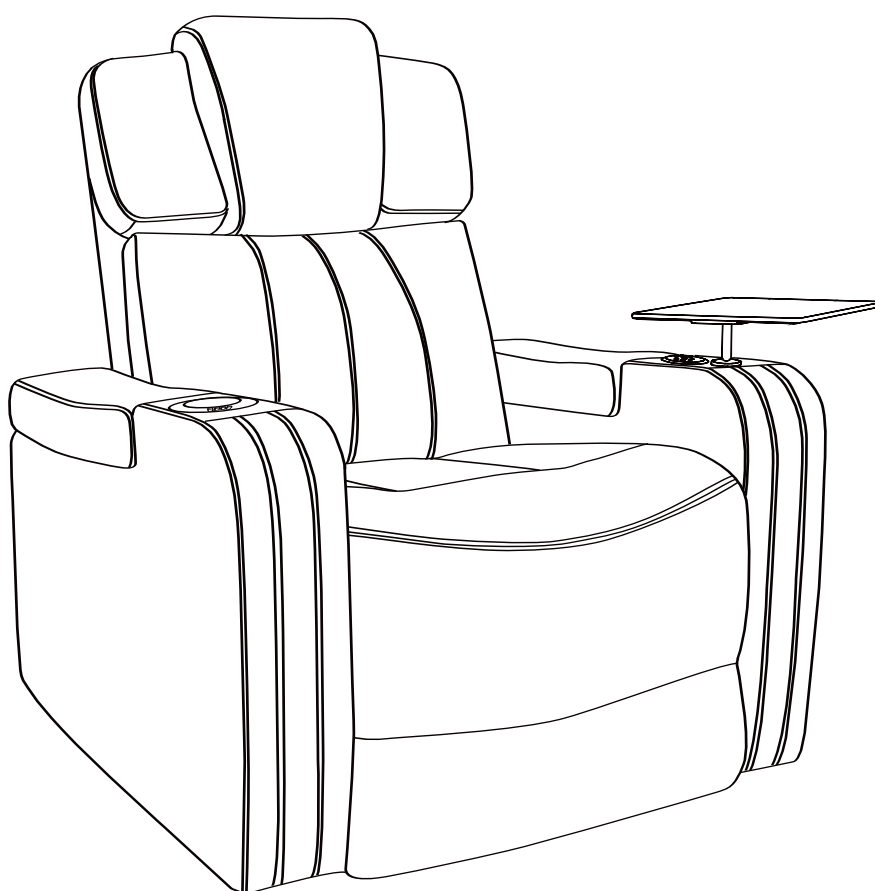


# Operation Instructions

---

---



**PP312583&PP312584**  
**Power Recliner**

The chair set is delivered with **2 boxes**. We recommend assembling the set after you receive all the boxes.

## **PRODUCT FEATURES**

- **Power Reclining**

### **IMPORTANT SAFETY INSTRUCTIONS**

When using an electrical appliance, basic precautions should always be followed, including:

- Always unplug the power chair from the power source after use, and before cleaning.
- Do not touch power chair if large amounts of liquid have spilled on it. Unplug immediately.
- The chair should never be open unattended when plugged in. Unplug from the outlet when not in use or before putting on or taking off parts or attachments.
- Do not use outdoors.
- Do not carry this appliance by the attached power cord; do not use it as a handle.
- Keep the cord away from heated surfaces.
- Close supervision is necessary when this appliance is used by or near children, invalids or disabled persons.
- This unit is not a toy. Children should not use or play with it.
- Do not operate where aerosol (spray) products are being used or where oxygen is being administered.
- Do not use near eyes or other highly sensitive areas.
- To disconnect, press the OFF button, make sure all functions are stopped, then remove the plug from the outlet.
- Use this appliance only for its intended use as described in this manual. Do not use attachments that haven't been provided with the unit. This appliance is not intended for use for persons (including children) with reduced physical, sensory or mental capabilities, or lack of experience and knowledge, unless they have been given supervision or instruction concerning use of appliance by a person responsible for their safety, children should be supervised to ensure that they do not play with the appliance.

## **HEALTH CAUTION**

- If you have any concerns regarding to your health, consult your doctor before using this product.
- Individuals with pacemakers should not use this product.
- If you have pain in muscle or joint after using for a prolonged period of time, discontinue using and consult your doctor. Persist pain could be a symptom of a more serious condition.

## **MAINTAINANCE INSTRUCTIONS**

### **TO STORE:**

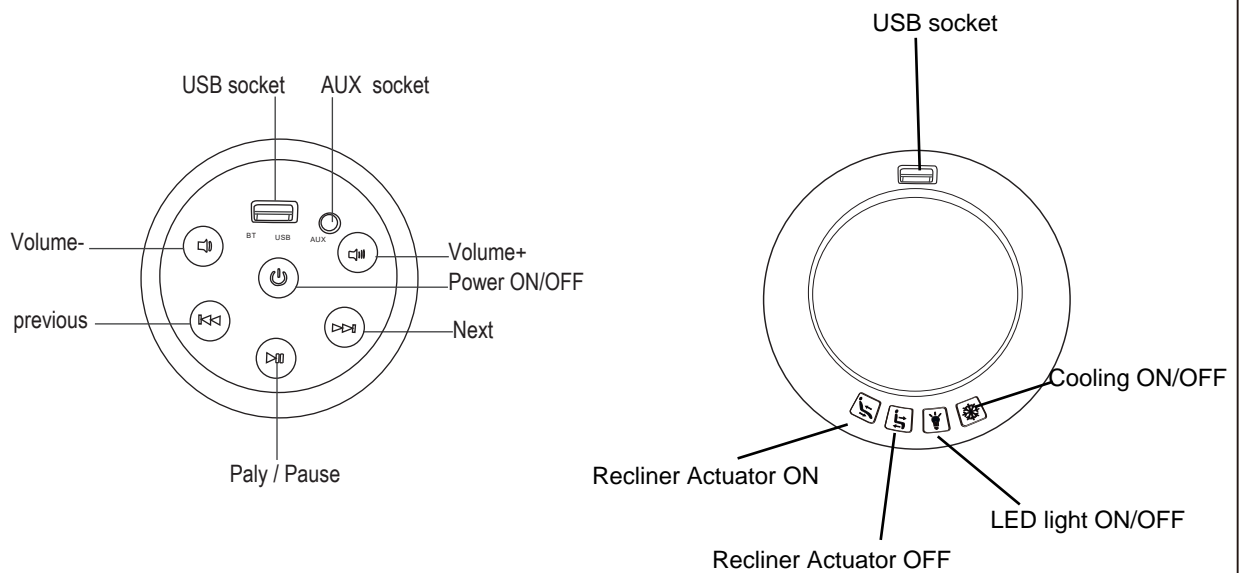
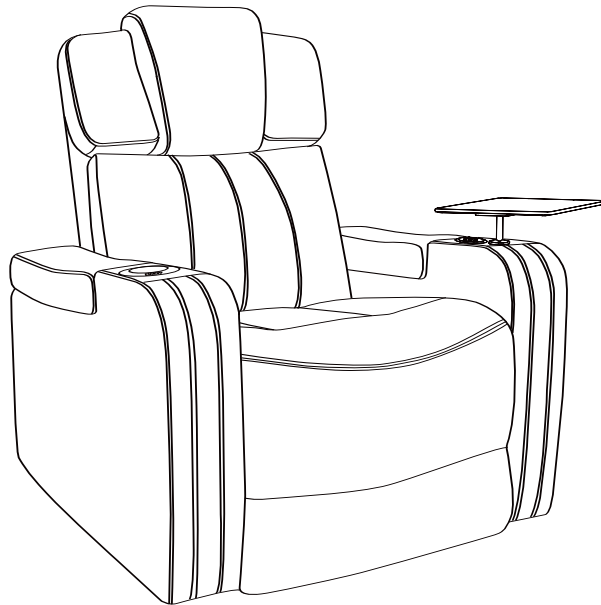
Place unit in its box or safety dry and cool place. Avoid putting chair in contact with sharp edges or pointed objects which might cut or puncture the fabric. Do not wrap attached power cord around the unit. DO NOT pull the unit by power cord.

### **TO CLEAN:**

- Ensure the unit is unplugged from the power source, and allow the unit to cool down before cleaning.
- Do not use any liquid to clean. Clean fabric cover by wiping with a damp sponge, using a mild detergent or suds. Pat with clean, dry cloth.

# OPERATING INSTRUCTION

---



## TECHNICAL SPECIFICATIONS

---

Model:PP312583&PP312584

Rated Voltage:100V-240V~

Rated Frequency:50Hz/60Hz

## Features

Thank you, our distinguished customer, for choosing the latest generation of multi-functional sofa music system, which enables automatic switching from one mode to another (BLUETOOTH / USB / AUX), with the perfect touch buttons plus a strong 2.1bass amp, with good sound quality and beautiful appearance. We sincerely hope that it could give you an extraordinary experience of enjoying the music at this digital age.

### **The main functions:**

USB: USB interface supports playing music on Flash disk.

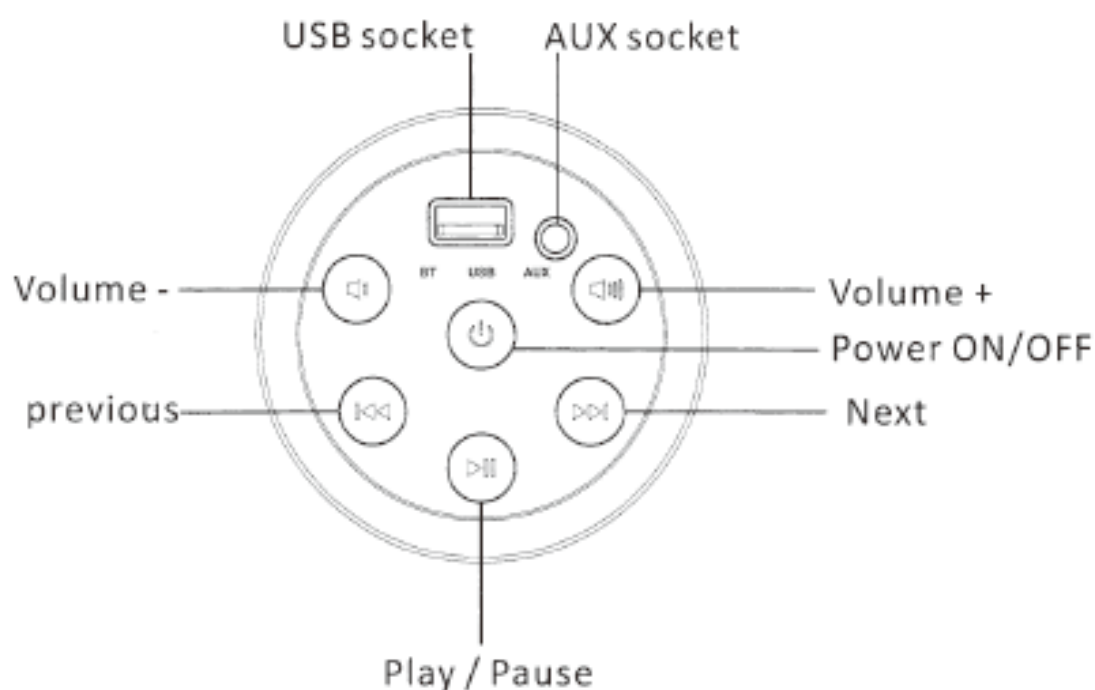
AUX: supports playing music on mobile phone, computer, television and other audio input via AUX cable.

Precautions:

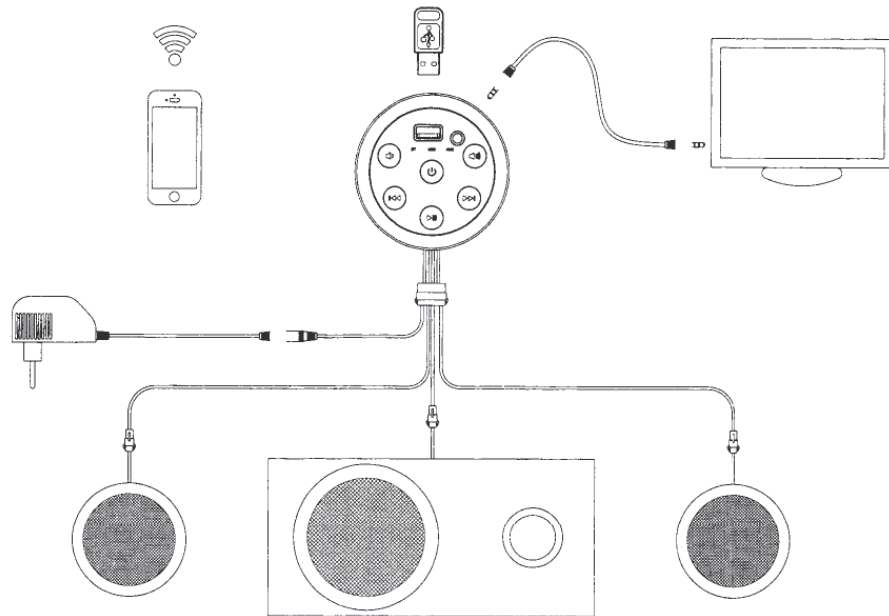
Before use, please read the instructions to ensure proper use of this product. For better service, the customer's product performance

specifications are subject to change, and the content of this manual may also be updated without further notice. To maintain good performance of the product, do not use it in too cold, too hot, dusty or humid environments.

## Control Panel



# INSTALLATION GUIDE



## HOW TO USE

### Bluetooth mode:

Bluetooth mode is set as default mode for playing music when the sofa music system is turned on (touch the "Power" button till the indicator light turns from red to blue) and Bluetooth indicator light "BT" is shining. First search the Bluetooth

device list in mobile phone, and click to connect “eMoTionSterling-Cy114”, the name of the sofa music system, and the indicator light “BT”. Then it is ready to play music from the mobile phone.

### **USB mode:**

When insert a USB device Flash disk, "USB" indicator light is on, and the play mode will automatically switch to USB mode, scanning USB devices and automatically play music files.

### **AUX mode:**

When insert the 3.5mm audio cable to the AUX connector, it will automatically switch to the AUX mode, and “AUX” indicator light is on. And it's ready to play music from phone, TV, and computer. In this mode, only the Volume+ and Volume – and Play/Pause buttons could be operated from the control panel of the device.

## **Specifications**



Power input: DC12V / 2A

Frequency response: 50HZ-20KHZ

SNR:  $\geq 60$ db

Maximum output power for 2+1 speakers: 15W \* 2 + 30W

Speaker Impedance: 4 ohms

Adjustment forms: Touch button for Power switch/ automatic mode switch / Volume adjustment/Previous and Next song switch

Bluetooth Distance: > 10 m in open areas

Bluetooth transmitting frequency: 2.4G

USB function: Support playing music on Flash disk and charging mobile phone via USB cable.

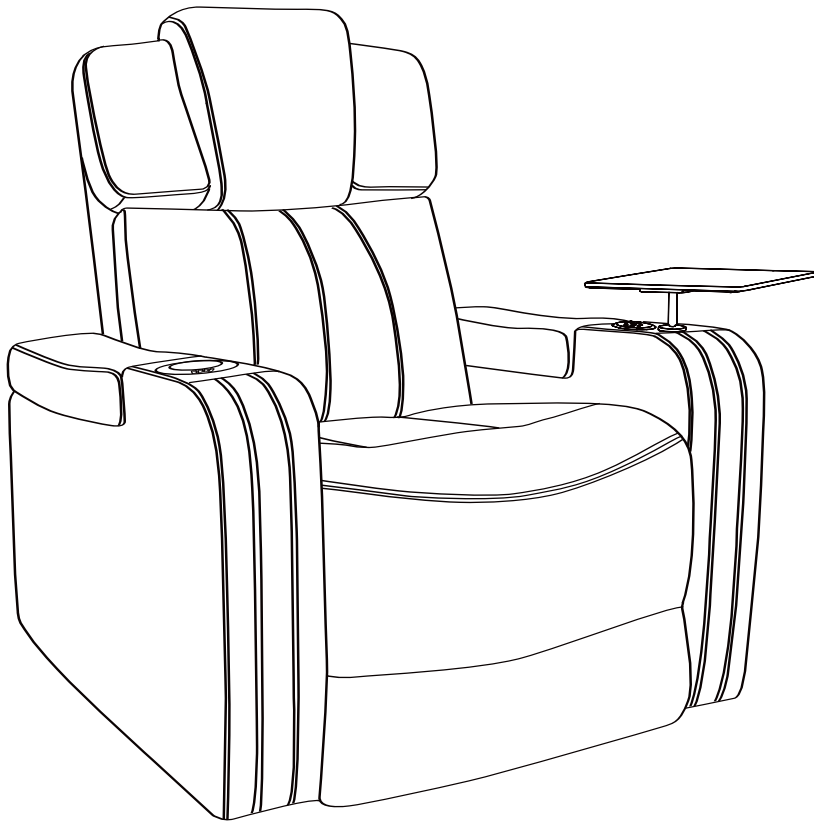
## **Maintenance and Troubleshooting Guides**

Before you think to repair the sofa music system for problems, please check first the following FAQ and troubleshooting guides to find the possible causes of the problem you are experiencing. Some simple checks

or minimum adjustment you make is likely to solve the problem and restore normal operation of the device. If you have some points in doubt, or , can not resolve the problem pls turn to professional maintenance personnel for solution.

FAQ	Troubleshooting Guides
In the mode of USB, not able to play music on Iphone/Ipod	The version of Iphone/Ipod is old, not the latest thus can not play music automatically for the first time connection. You could try to play music manually, and from the second time, it could play music automatically once connected via USB cable.
In the mode of USB, not able to play music on Android system mobilephone	Please make sure your Android phone supports OTG function, or it could be the Android version being old not the latest. Pls confirm it's Android 4.3 or above.
No sound	Please check whether it's the speakers volume being too low or they are not correctly connected. If the problem still exist after checking the music system is all connected in correct form, the speakers need to be replaced.
Not able to turn on the device	The power supply is not plugged in correctly. If confirm there is something wrong with the power supply, it needs to be replaced. Or if the power supply is in good condition, then it's likely that there is a problem with the device, it would have to be replaced.
No response the device	Please unplug and plug the power supply and try again. Iphone/ipod/Android phone/USB/AUX is not plugged in correctly.
Touch button does not work	Please do not press too hard on the touch button and check whether if there is any obstacle or water on top of the button, and try to unplug and plug the power supply and try again.
In mode of Bluetooth not able to connect the device to the music system	Please turn off the bluetooth connection of the device like Iphone/Ipad/Android phone etc (within the connecting distance) that has been already connected to the music system, and then turn on the bluetooth of the other device that you want to connect to the music system, and search "MS003", the name of the music system and click to connect it. Please make sure the connecting distance is within 10 meters, and avoid the wall and the corner

# Assembly Instructions

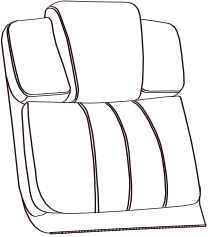

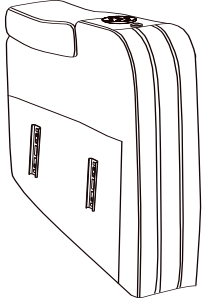


Please read the following instructions prior to assembling this product:

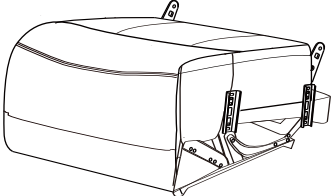
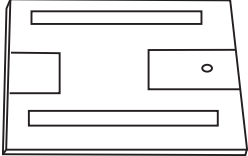
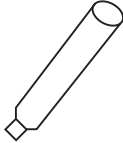

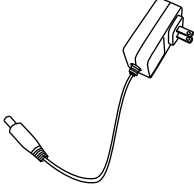
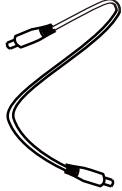
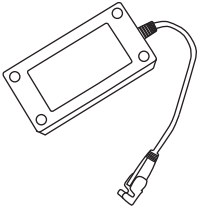
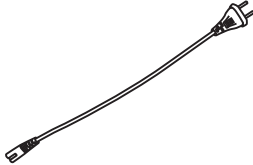
1. To avoid damage, assemble this product on a not-abrasive surface such as carpet.
2. Make sure all bolts are tightly fastened before use.
3. For home use or light commercial use only.
4. Please make sure you have all parts before assembly.

**GENERAL ASSEMBLY INFORMATION GUIDE**

**Parts List (BOX-1:PP312583)**

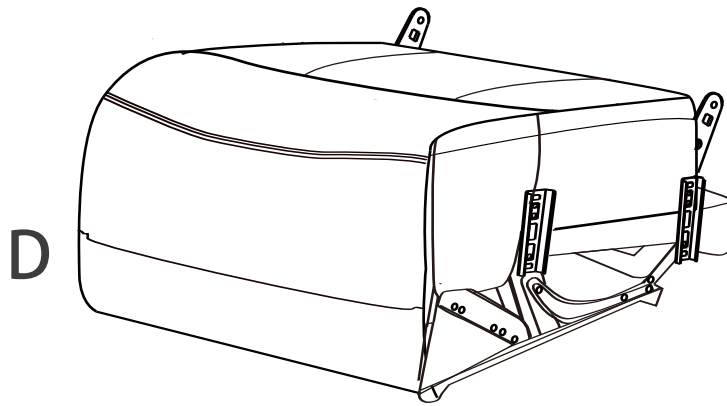
<p><b>A*1</b></p> 	<p><b>B*1</b></p> 	<p><b>C*1</b></p> 
<p>QTY 1pc</p>	<p>QTY 1pc</p>	<p>QTY 1pc</p>

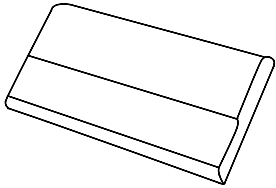
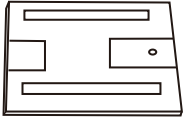
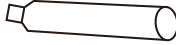

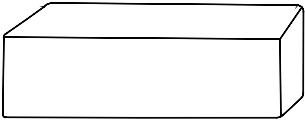
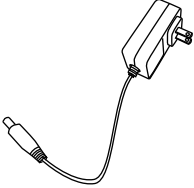

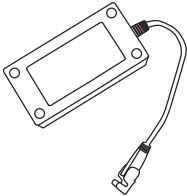
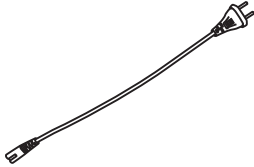
**Parts List (BOX-2:PP312584)**

<p><b>D*1</b></p> 	<p><b>E*1</b></p> 	<p><b>F*1</b></p> 
<p>QTY 1pc</p>	<p>QTY 1pc</p>	<p>QTY 1pc</p>
<p><b>G*1</b></p> 	<p><b>H*1</b></p> 	<p><b>I*1</b></p> 
<p>QTY 1pc</p>	<p>QTY 1pc</p>	<p>QTY 1pc</p>
<p><b>J*1</b></p> 	<p><b>K*1</b></p> 	
<p>QTY 1pc</p>	<p>QTY 1pc</p>	

# Step 1

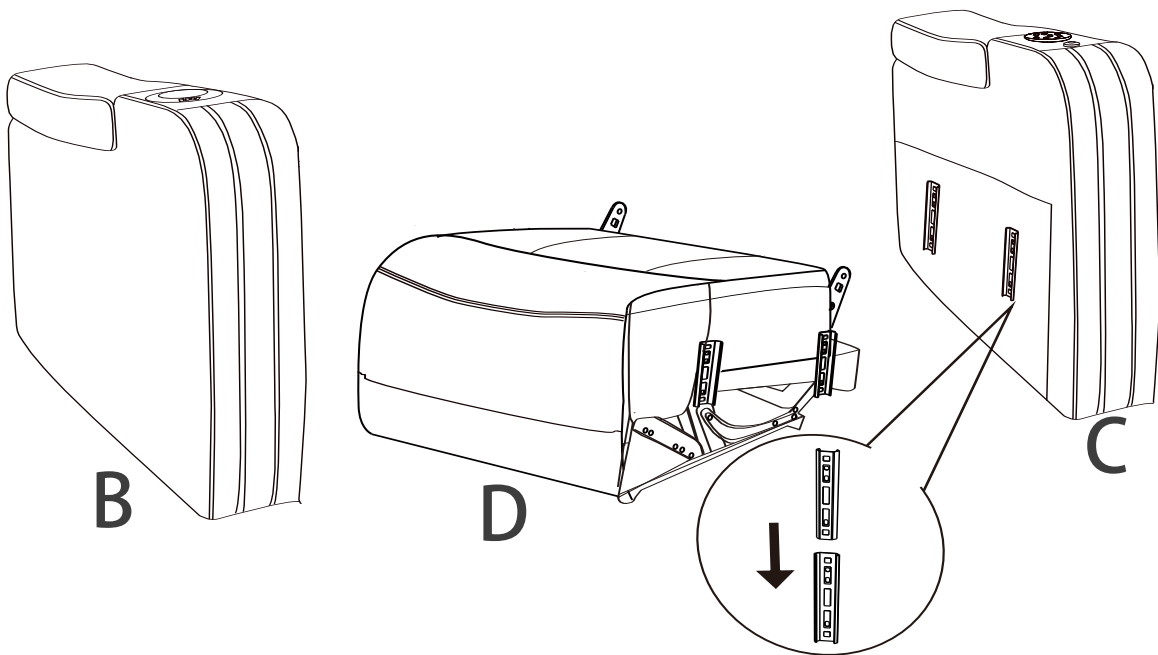
- ① Place the Seat (D) on its back on a flat smooth surface.  
Take out the bag which holds a rectangle box.
- ② Take out the below spare parts from the top of the seat.



	 QTY 1pc E	 QTY 1pc F	 QTY 1pc G
	 QTY 1pc H	 QTY 1pc I	 QTY 1pc J
	 QTY 1pc K		

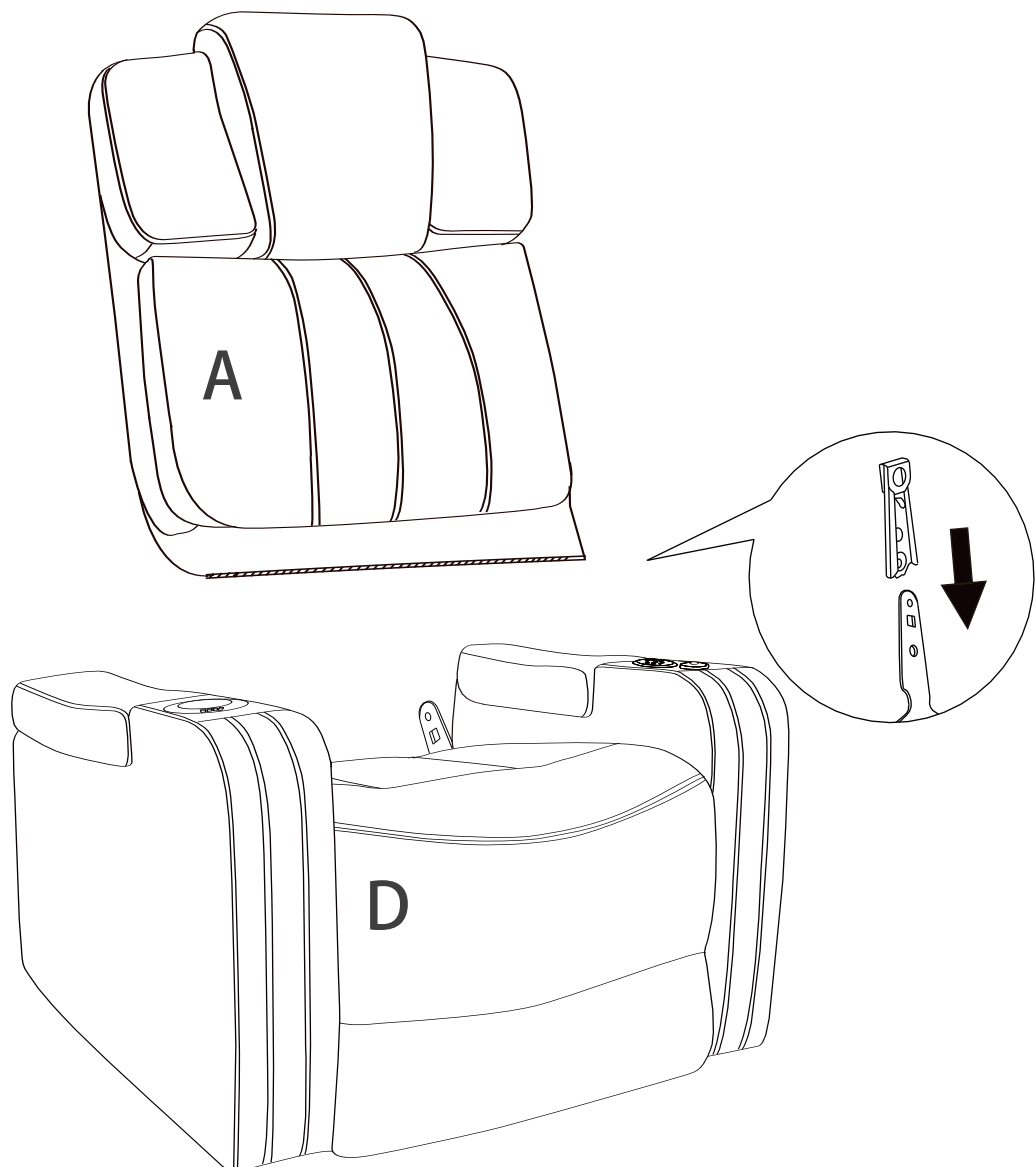
## Step 2

- ① Attach handrest (B&C) to seat (D) by aligning the metal grooves on handrest to brackets on sides of the seat (D) as shown.
- ② Ensure the handrest (B&C) slides down fully over the brackets on the right side and left side of the seat (D) respectively.



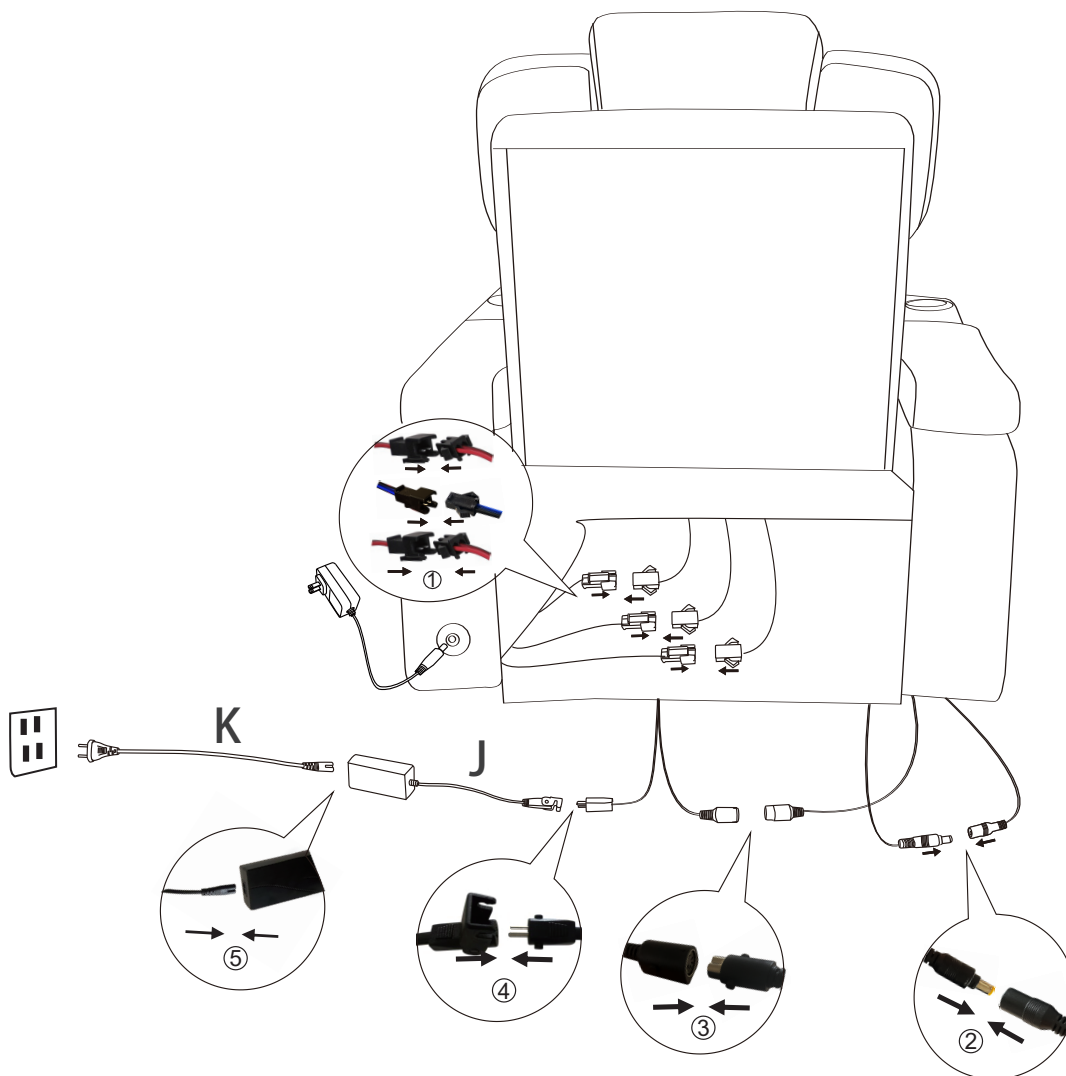
## Step 3

Ensure the backrest (A) slides down fully over the brackets on the seat(D).



## Step 4

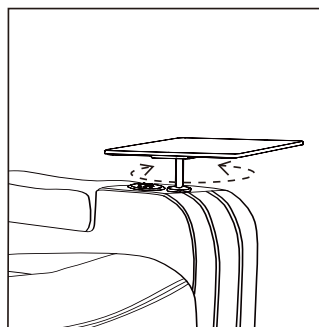
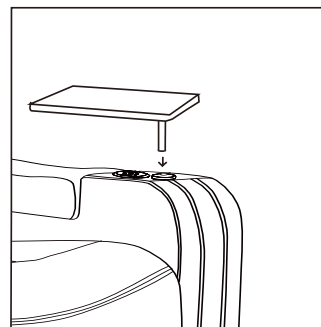
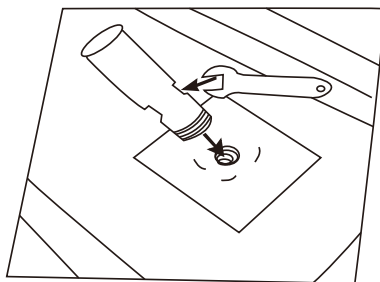
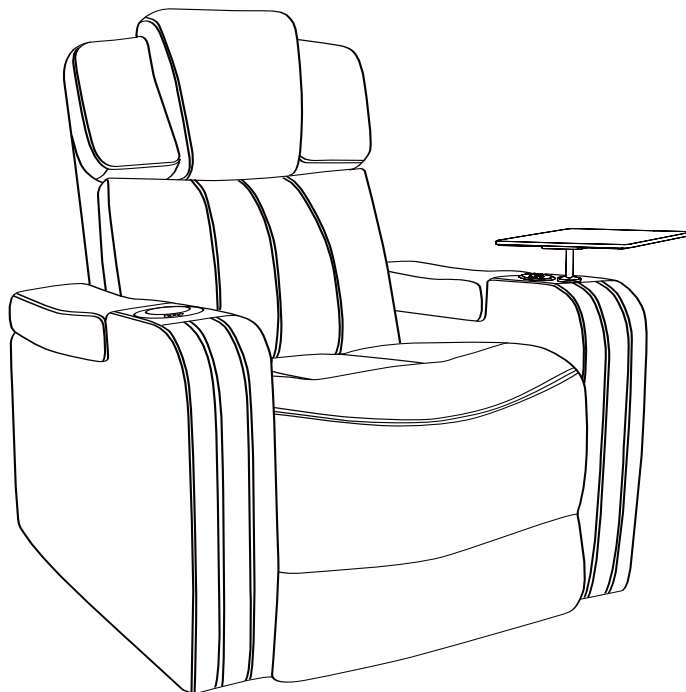
- ① Attach the transformer(J) to the plug on the back of seat (D).
- ② Connect the transformer(J) with the wire plug (K) and insert the wire plug into a wall outlet for power.
- ③ The connecting wire of the music is at this position, the next step is to connect this wire.
- ④ Connect the charger cable(H) and insert the wire plug into a wall outlet for power.





## Step 5

- ① Gently screw the post into the back of swivel tray table (E), tighten it by wrench (G) provided, the next step is place the post into the accessory dock which is located on the left armrest top.
- ② When the post is correctly in place, the table will swivel 360 degrees.



## Warnings

- Sit down in the chair gently. To avoid tipping over, do not throw yourself into the chair. Move the chair into the reclining position slowly, making sure that no children or pets are in close proximity. Do not allow children to play on or around the chair, particularly when it is in an open position.
- Close the recliner completely before getting out of it.
- Never sit on the footrest when it is open, even if it is a child.
- To eliminate the risk of tipping over, do not sit on the arms or footrest of the chair.
- This chair is designed to be used by 1 adult at a time.
- Maximum weight capacity is 330LBS, Do not allow any person who over 330LBS to sit on the recliner.
- Please forbid people with the following ailments from using this sofa: Those people with severe symptoms of heart disease, high blood pressure, cerebral thrombosis and others who are sensitive to heat or completely insensitive to heat, those with brittle bones or have issues with waist support pregnant women, children and others where it has been determined they are not suitable to use this product under the guidance of doctors.
- To fully recline the sofa, ensure the sofa well, you need to put the sofa at least 100cm away from the wall or any other obstacle.
- Product cannot touch water, fire, etc. Product can also not come in contact with sharp objects (knives, nails, etc.)

## Maintenance Manual Instructions

- To avoid dropping, you should carry the sofa carefully.
- If you find dirt and or stains on the chair, spray the sofa with a sofa specific cleaner then use a sponge or cloth to wipe the dirt away. Do not use water, soapy water or cleaner with waxed wooden areas. Take care to wipe the sofa carefully and gently.
- Do not put the sofa in an area with direct sunlight and do not put the sofa directly in front of an air conditioner, this will fade the upholstery and make it brittle.

## How to Disassemble

Please find a strong tool to prod the small piece of metal grooves, then the backrest will be pulled out. The tool is not included.

