

# ASSEMBLY INSTRUCTION

ITEM NO.: WF299149

WF299150













WF299151

Thank you for purchasing this quality product. Be sure to check all packing material carefully for small parts, which may have come loose inside the carton during shipment. Identify and count all parts and compare with the **HARDWARE LIST** below.


**Caution:** Please read instructions thoroughly before unpacking assembly parts. Sharp, exposed staple tips can cause injury, therefore, for your protection, please remove any exposed staples used in packing.

1. We recommend that you assemble this product with the assistance of another person; this will make assembly easier, and will help to eliminate damage to the product or injury to persons during assembly.
2. Please do not over tighten screws or bolt until the assembly is completed.
3. Please put all parts on a non-abrasive floor before assembly, and follow the assembly steps to assemble your sofa.

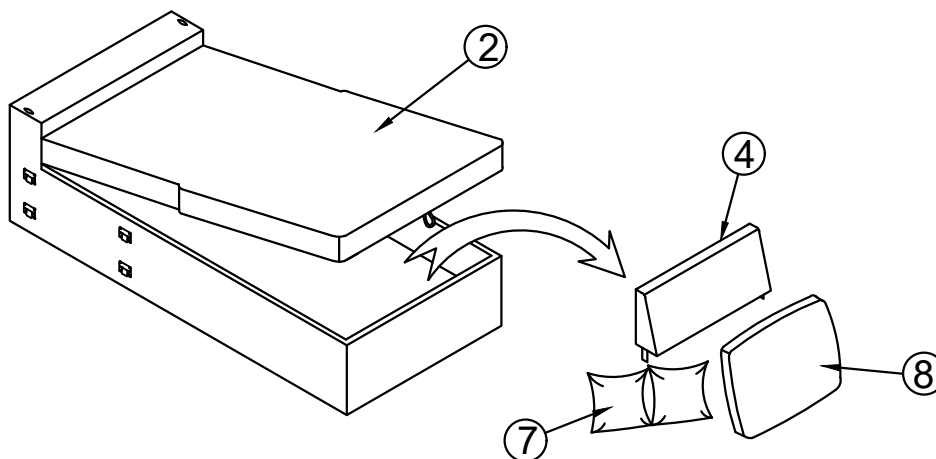
## PARTS LIST

No	Description	SKU	Sketch	Q'ty	No	Description	SKU	Sketch	Q'ty
1	Love seat	WF299149		1 PC	7	Pillow	WF299150		2 PCS
2	Chaise	WF299150		1 PC	8	Back Cushion	WF299150		1 PC
3	Loveseat back	WF299150		1 PC			WF299149		2 PCS
4	Chaise back	WF299150		1 PC	9	Legs 1	WF299150		4 PCS
5	Left Facing Arm	WF299151		1 PC	10	Ottoman	WF299151		2 PCS
6	Right Facing Arm	WF299151		1 PC	11	Legs 2	WF299151		4 PCS

## HARDWARE LIST

No	Description	Sketch	Q'ty
A	Screw		8PCS

Step 1 :



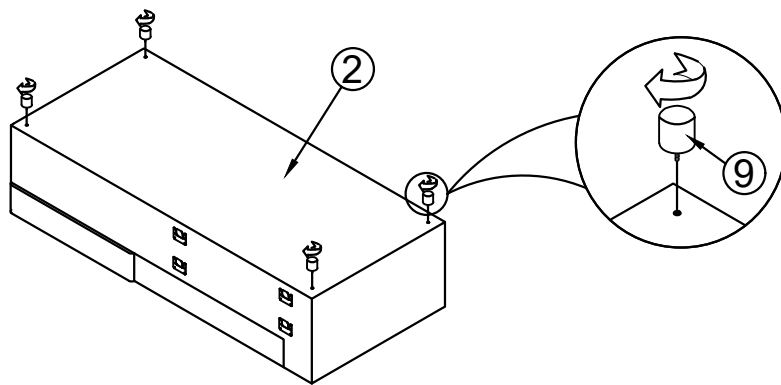
# ASSEMBLY INSTRUCTION

ITEM NO.: WF299149

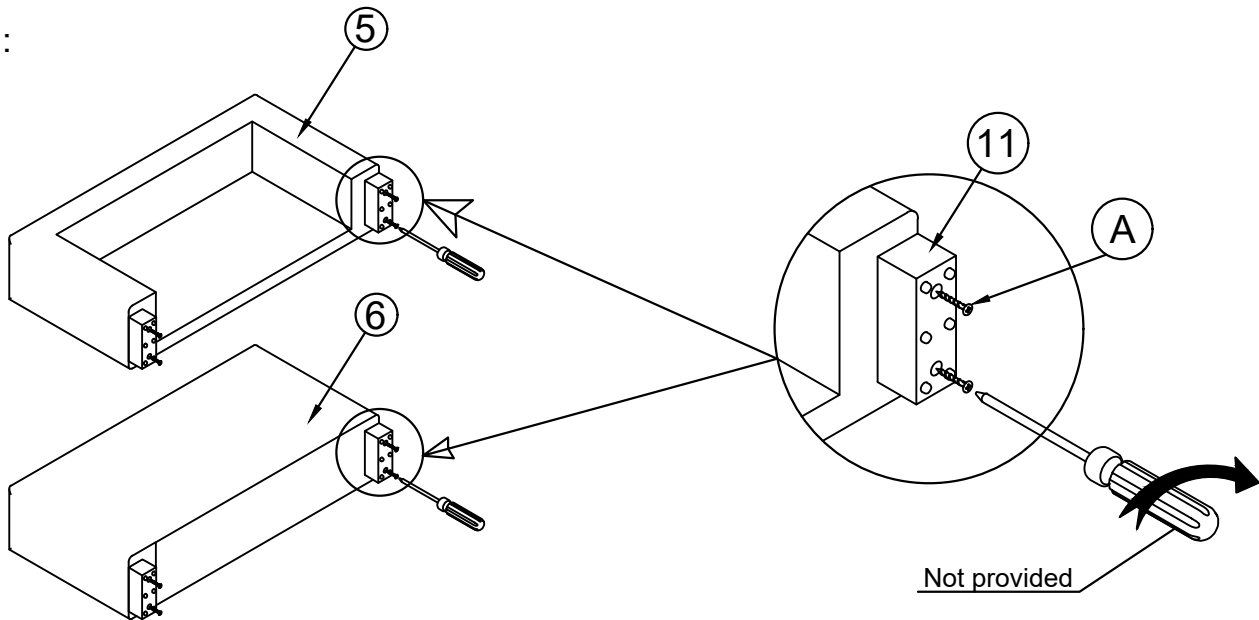
WF299150

WF299151

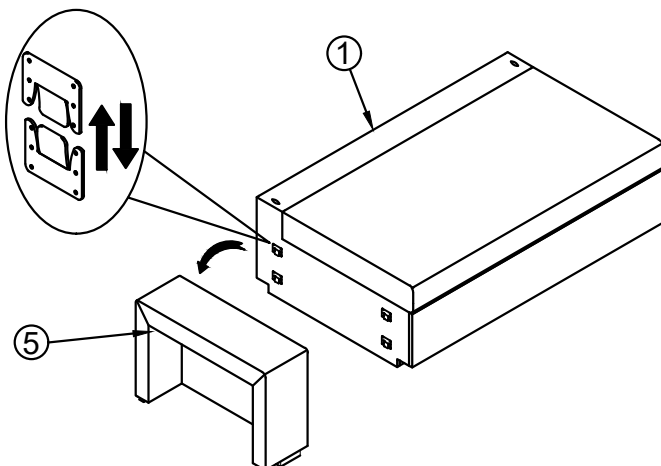
Step 2 :



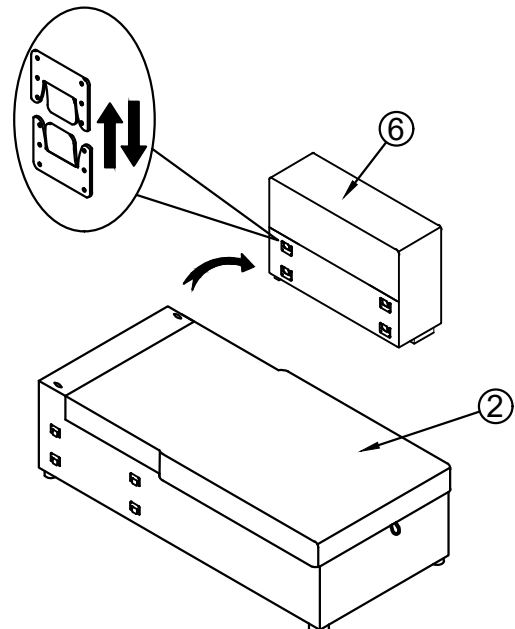
Step 3 :



Step 4 :



Step 5 :



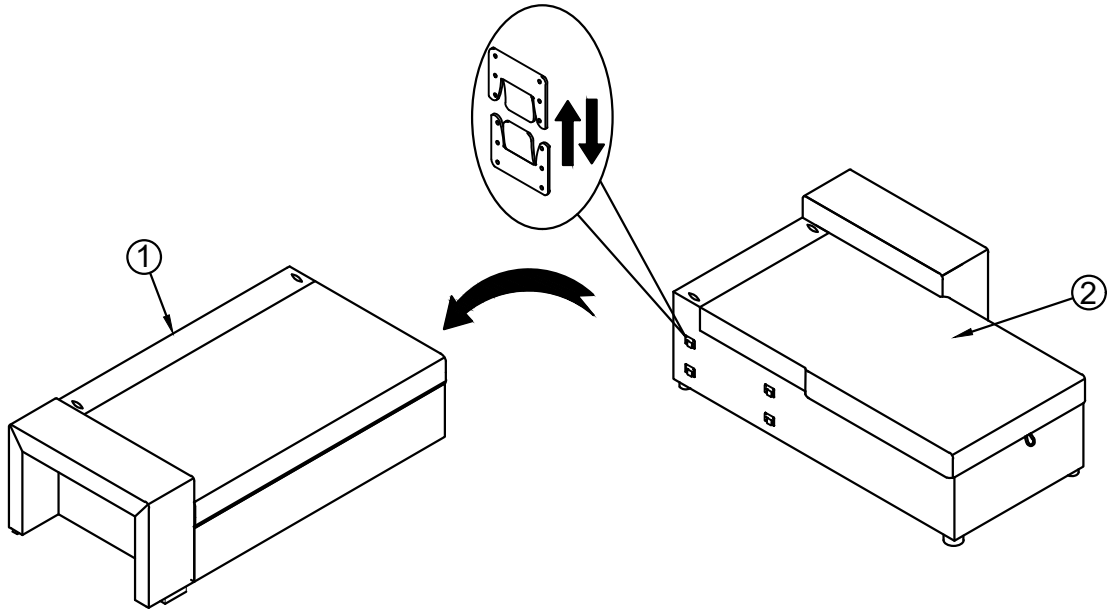
# ASSEMBLY INSTRUCTION

ITEM NO.: WF299149

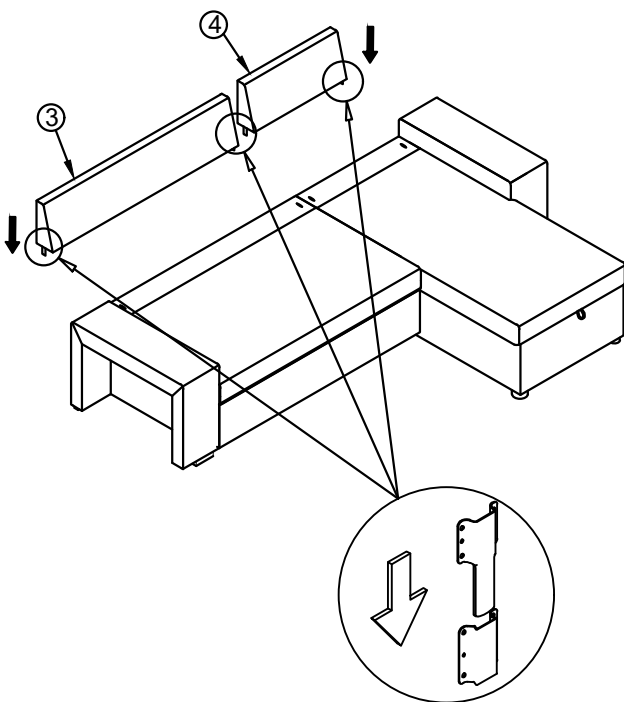
WF299150

WF299151

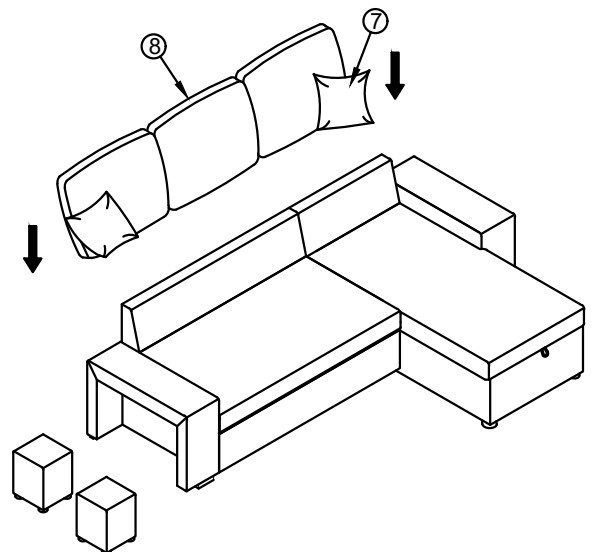
Step 6 :



Step 7 :



Step 8 :



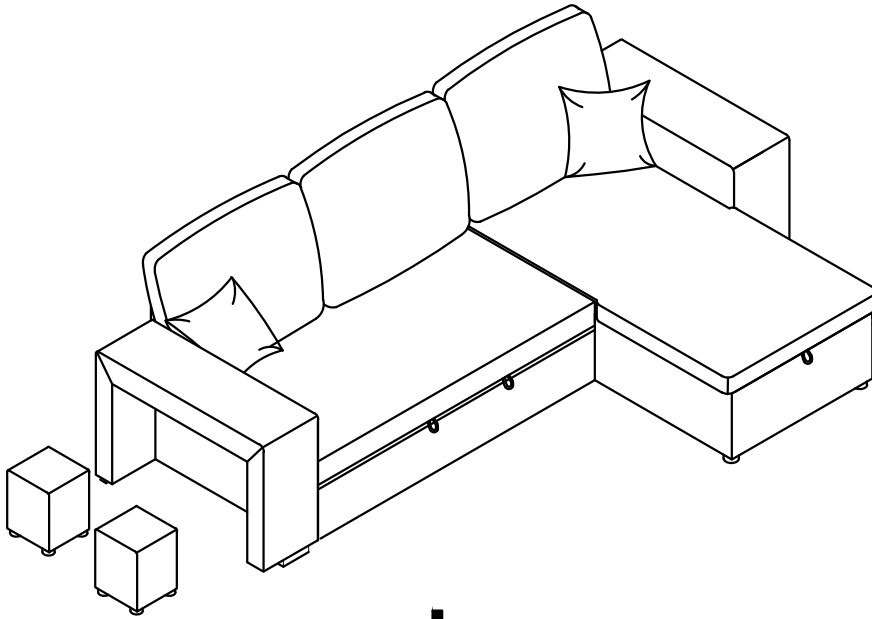
# ASSEMBLY INSTRUCTION

ITEM NO.: WF299149

WF299150

WF299151

Option 1:



Option 2:

