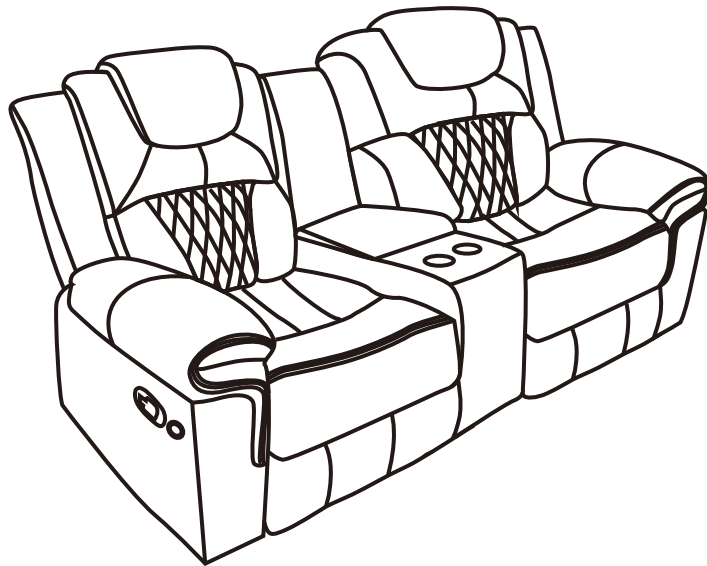
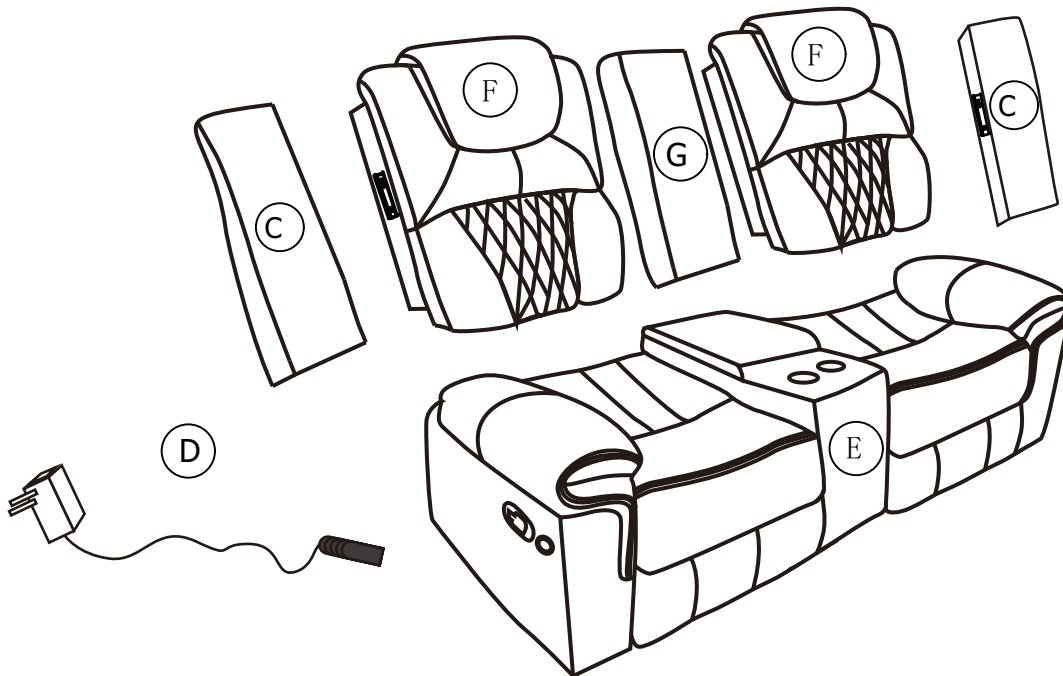


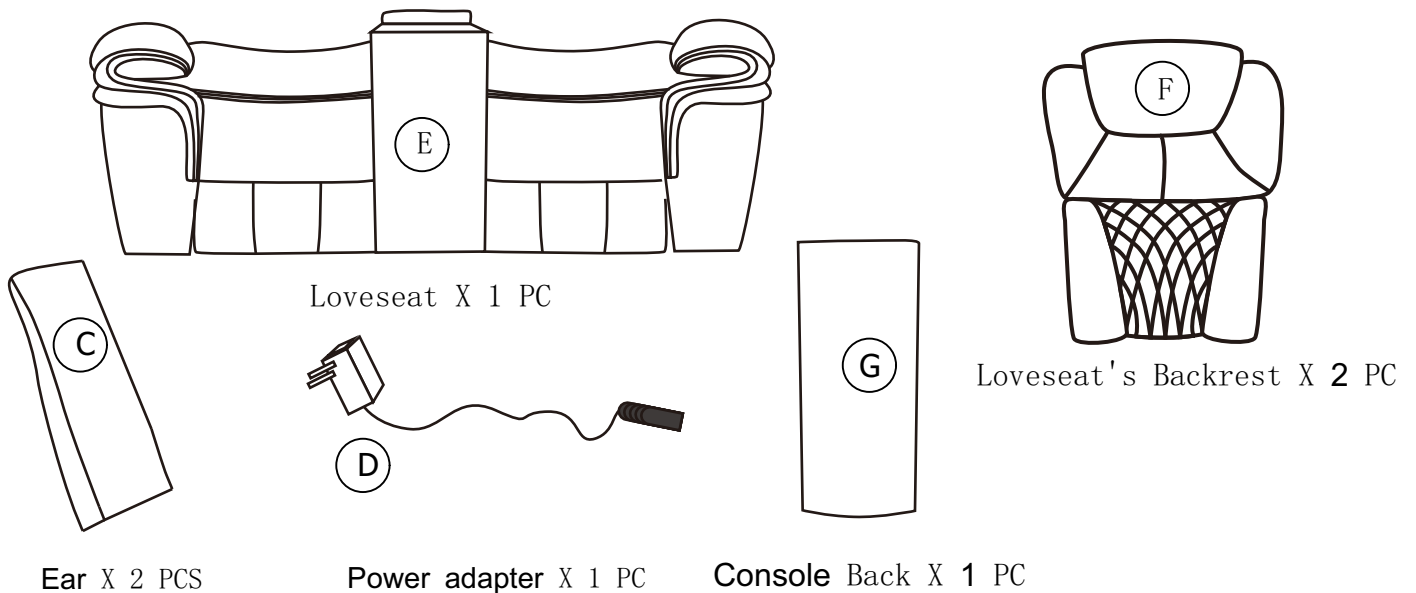
ASSEMBLY INSTRUCTION



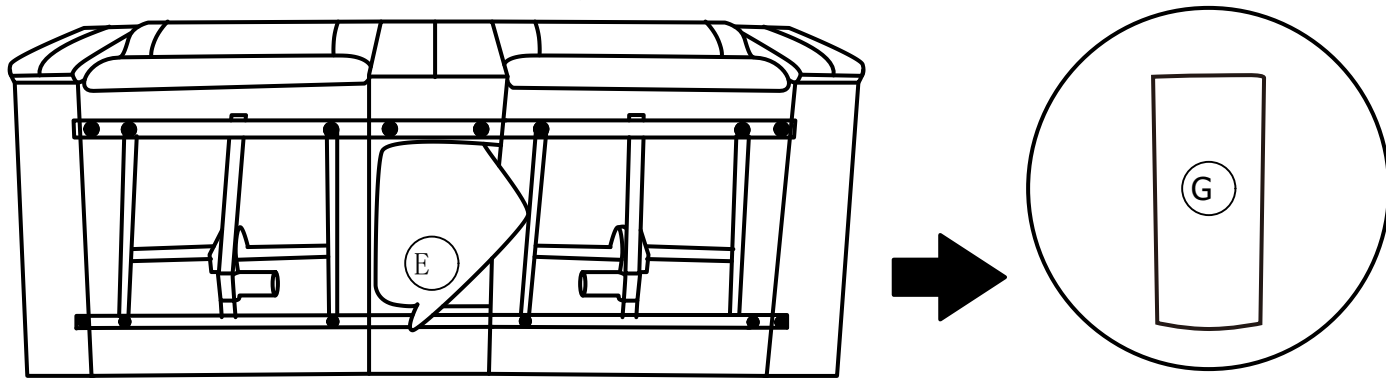
PARTS



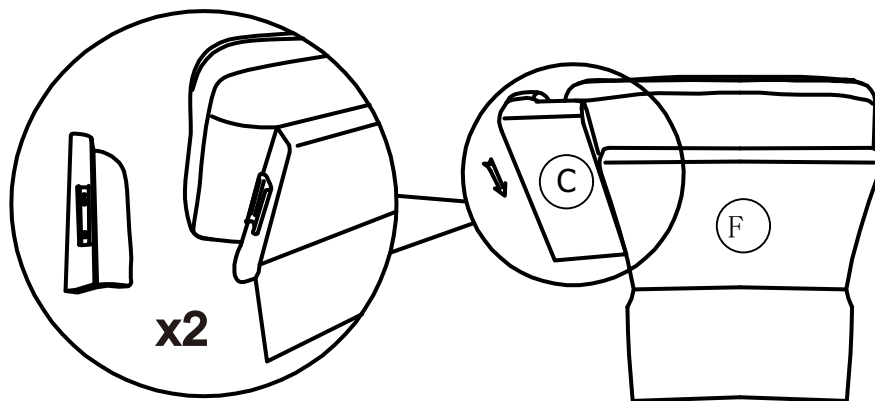
PARTS LIST



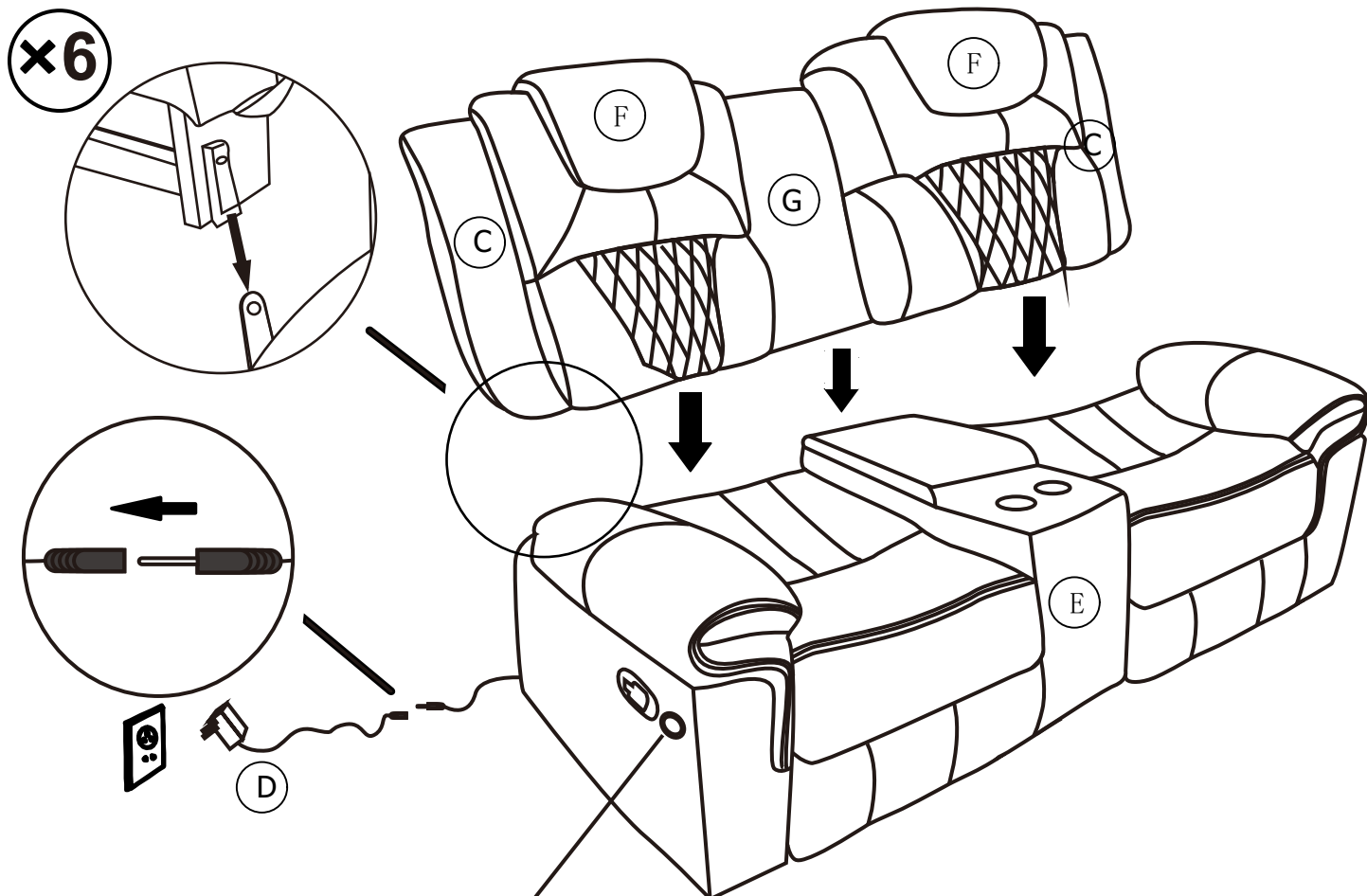
STEP 1: Take **G** out of the bottom of **E**, as shown.



STEP 2: Insert **C** to **F**, as shown.



STEP 3: Insert **F**, **G** to **E**, as shown.
Insert **D** to **Sofa**, as shown.
The switch controls the light under the seat.



Light Switch