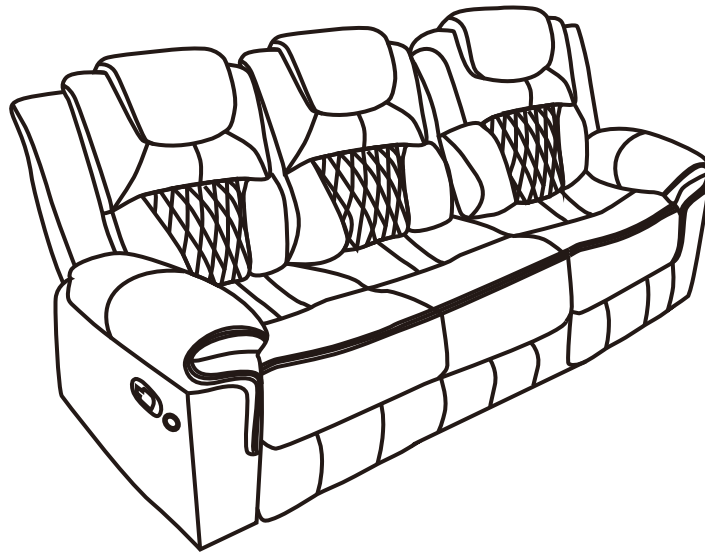
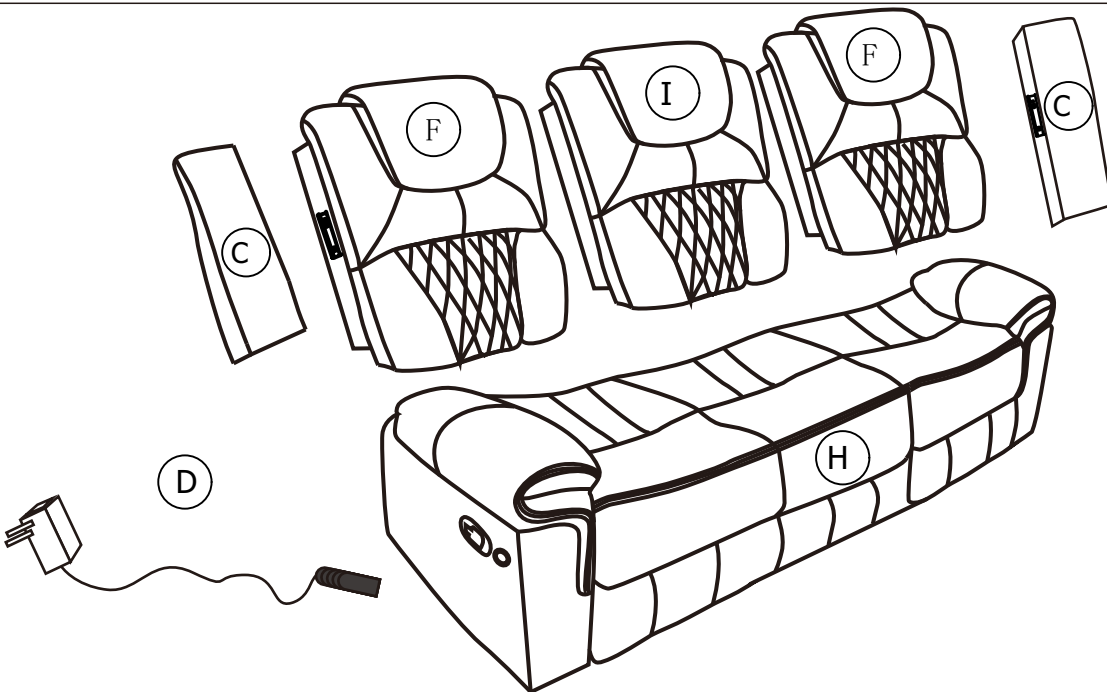


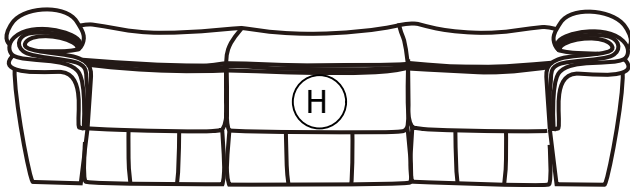
ASSEMBLY INSTRUCTION



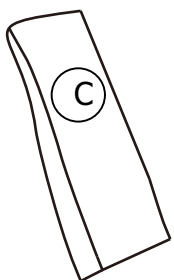
PARTS



PARTS LIST



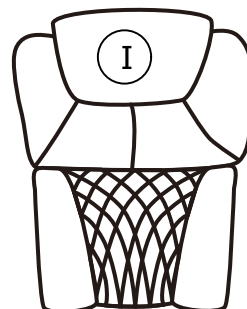
Sofa X 1 PC



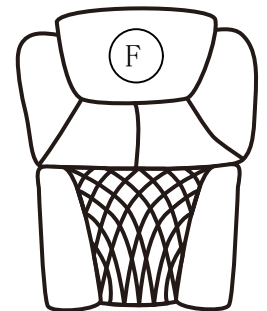
Ear X 2 PCS



Power adapter X 1 PC

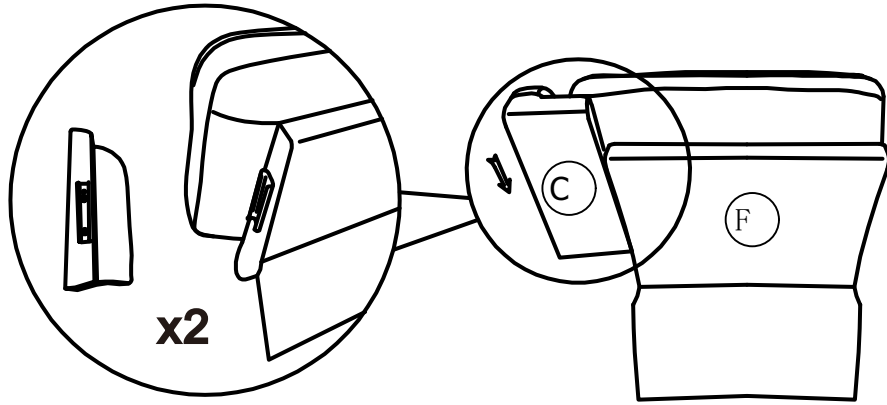


Backrest with drop down table X 1 PC

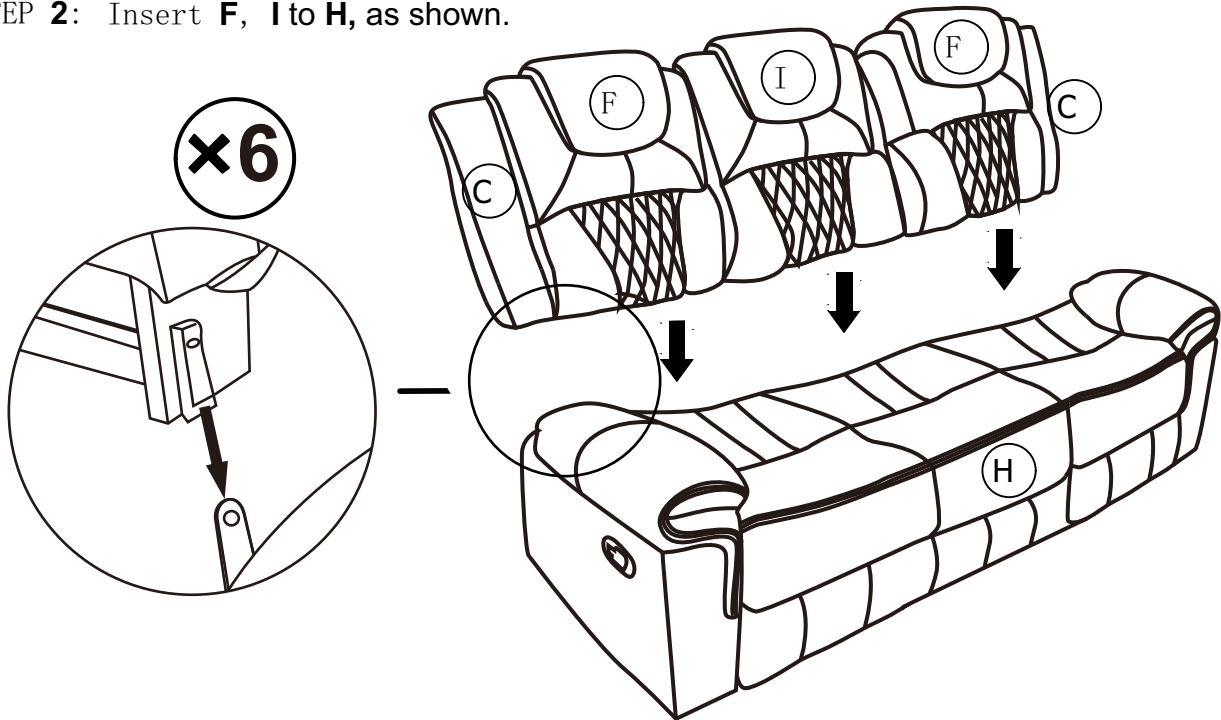


Backrest X 2 PC

STEP 1: Insert **C** to **F**, as shown.



STEP 2: Insert **F**, **I** to **H**, as shown.



STEP 3: Insert **D** to **Sofa**, as shown.
The switch controls the light under the seat.

