

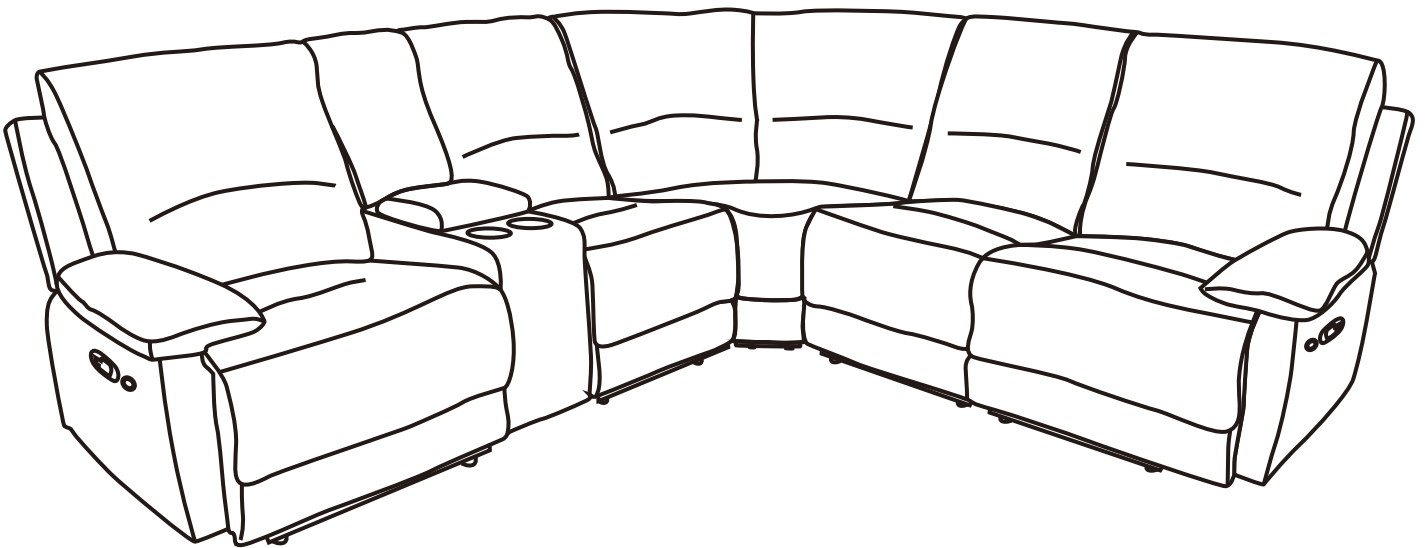
ASSEMBLY INSTRUCTION

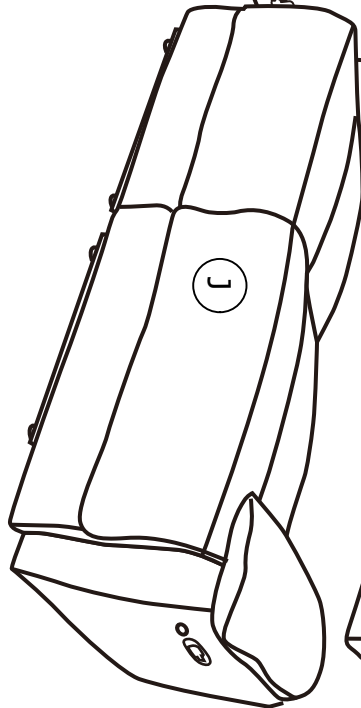
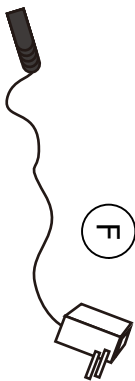
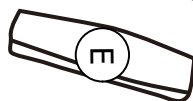
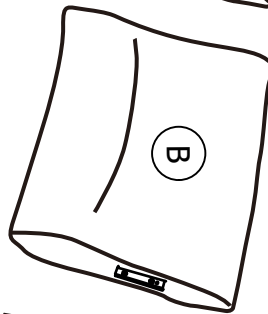
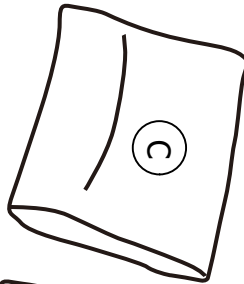
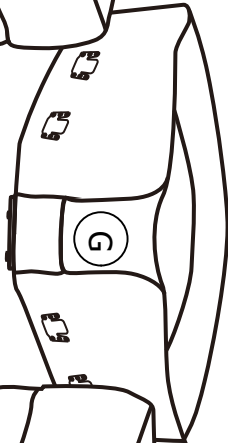
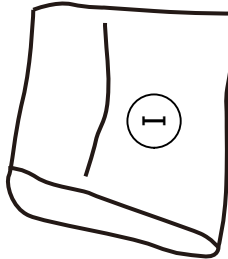
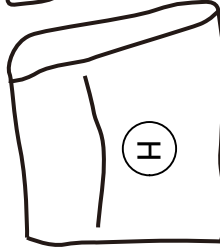
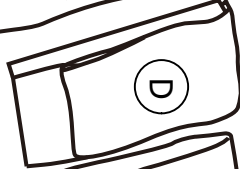
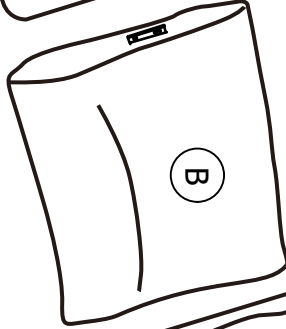
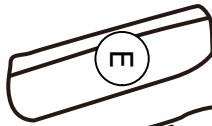
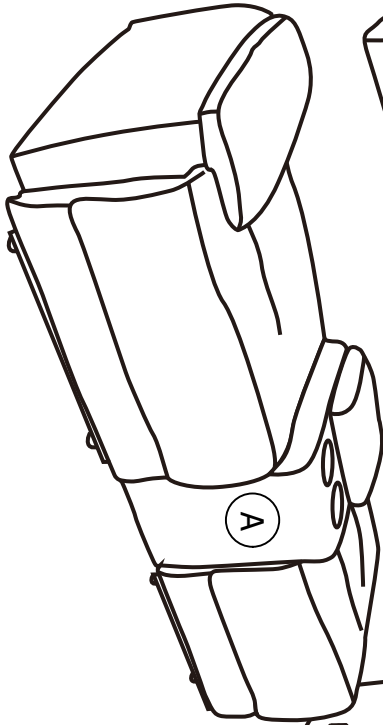
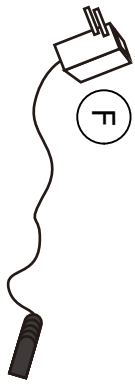
WF310720AAA

WF310721AAA

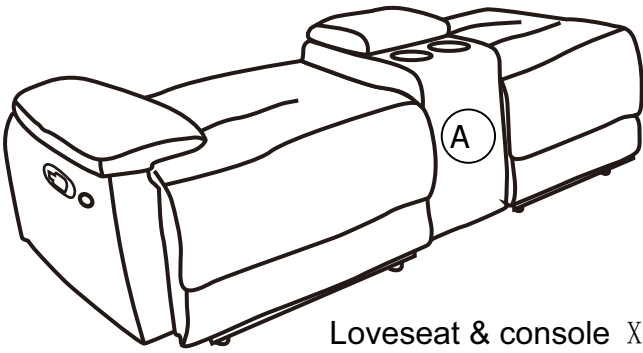
WF310722AAA

WF310723AAA

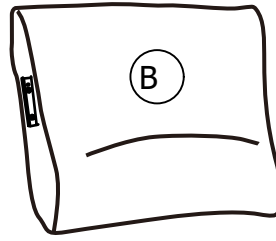




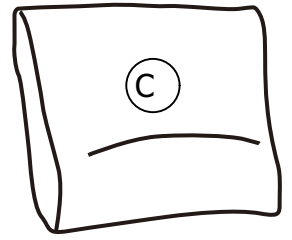
PARTS - WF310720AAA



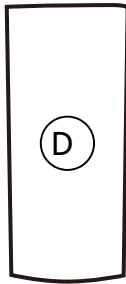
Loveseat & console X 1 PC



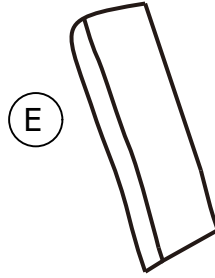
Side backrest X 1 PC



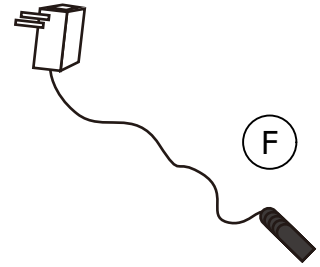
Backrest X 1 PC



Console back X 1 PC

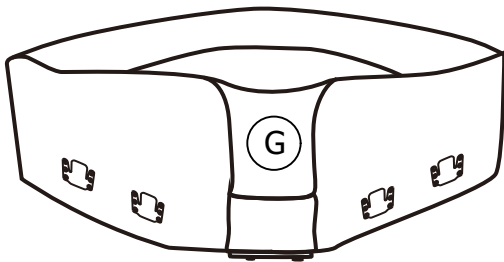


Ear X 1 PCS



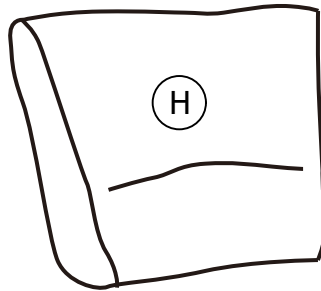
Power adapter X 1 PC

WF310721AAA

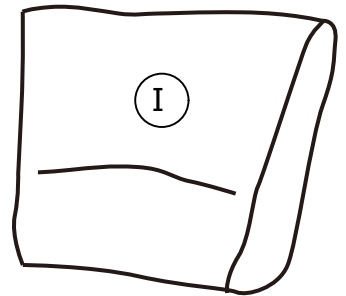


Corner seat X 1 PC

WF310722AAA

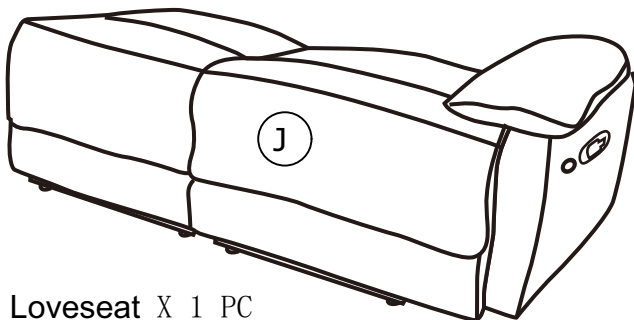


Left corner backrest X 1 PC

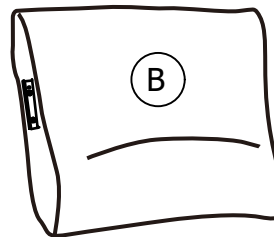


Right corner backrest X 1 PC

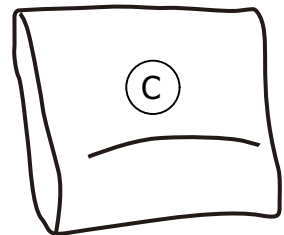
PARTS - WF310723AAA



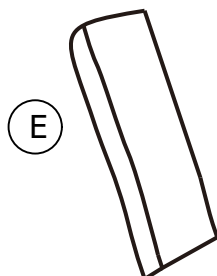
Loveseat X 1 PC



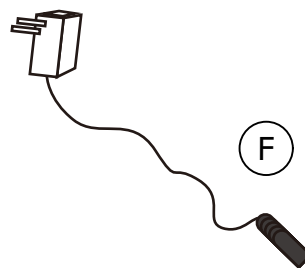
Side backrest X 1 PC



Backrest X 1 PC

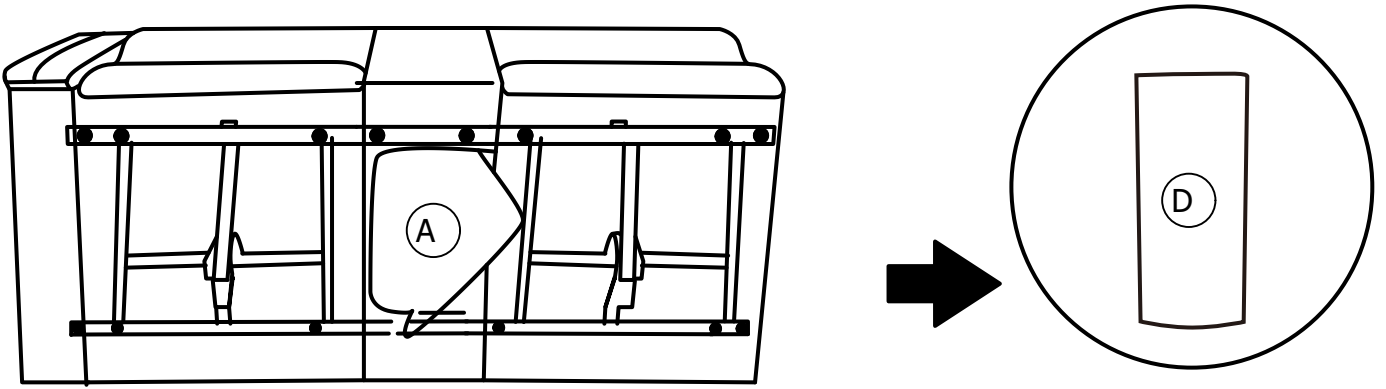


Ear X 1 PCS

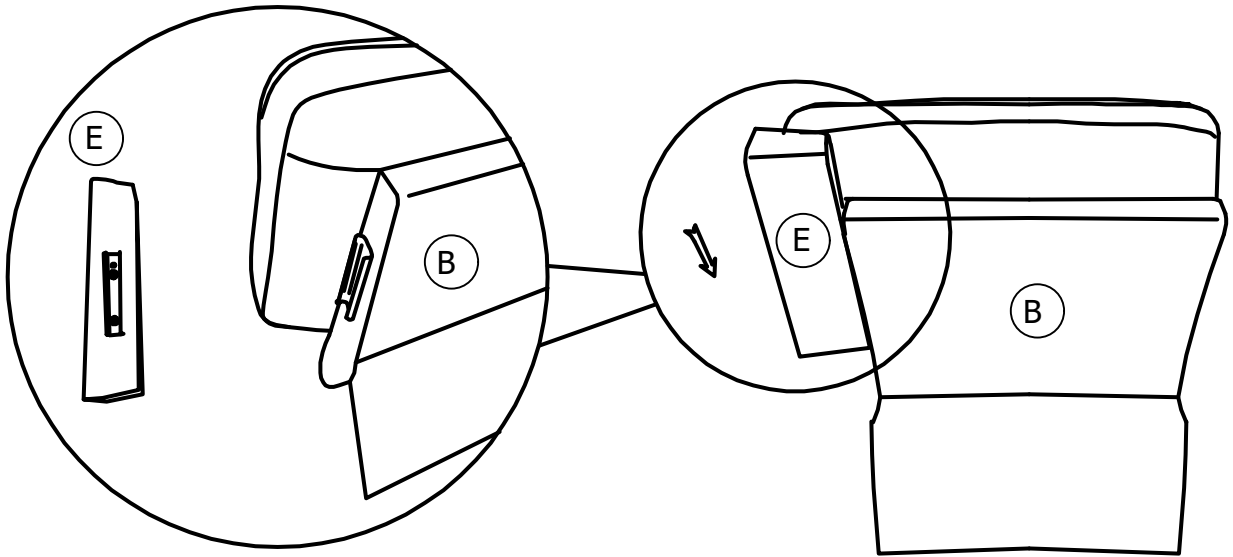


Power adapter X 1 PC

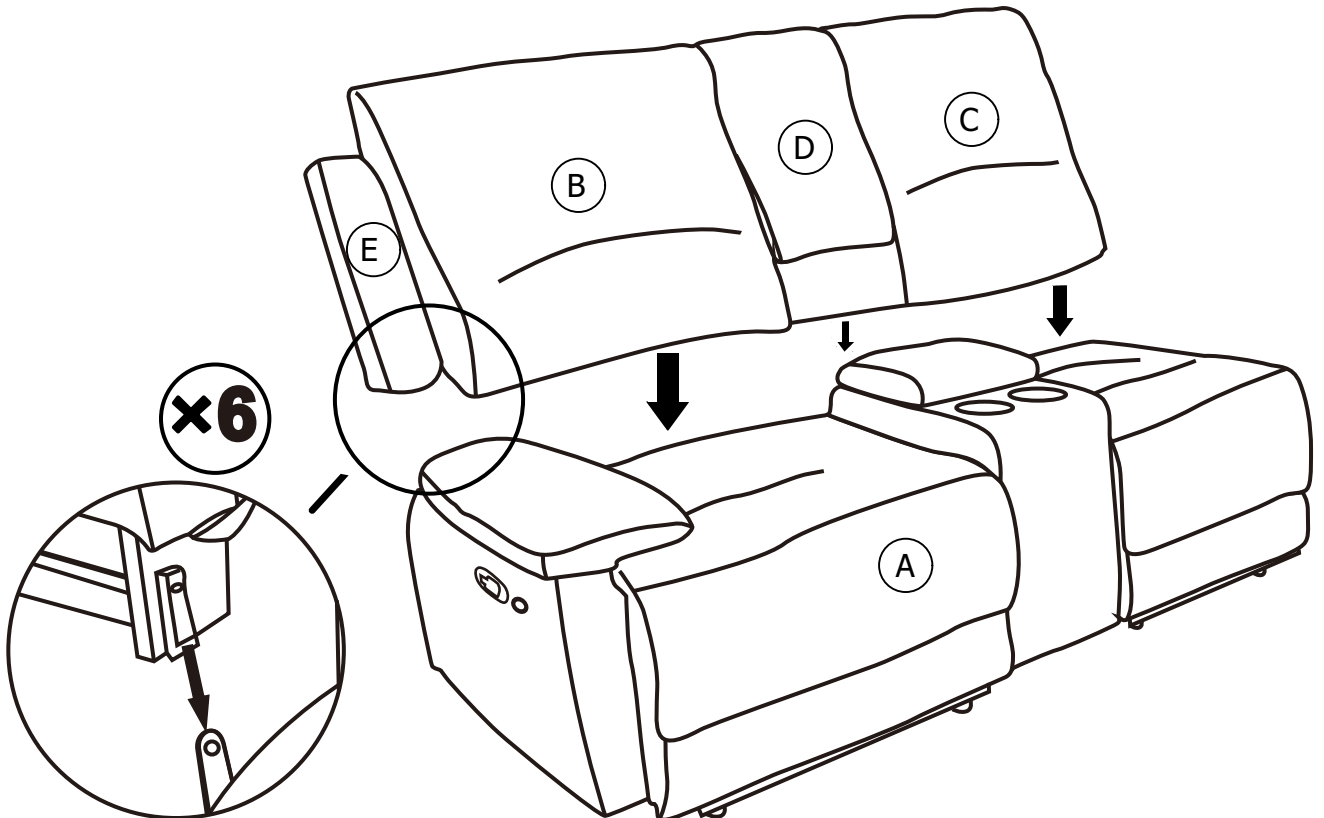
STEP 1: Take **D** out of the bottom of **A**, as shown.



STEP 2: Insert **E** to **B**, as shown.



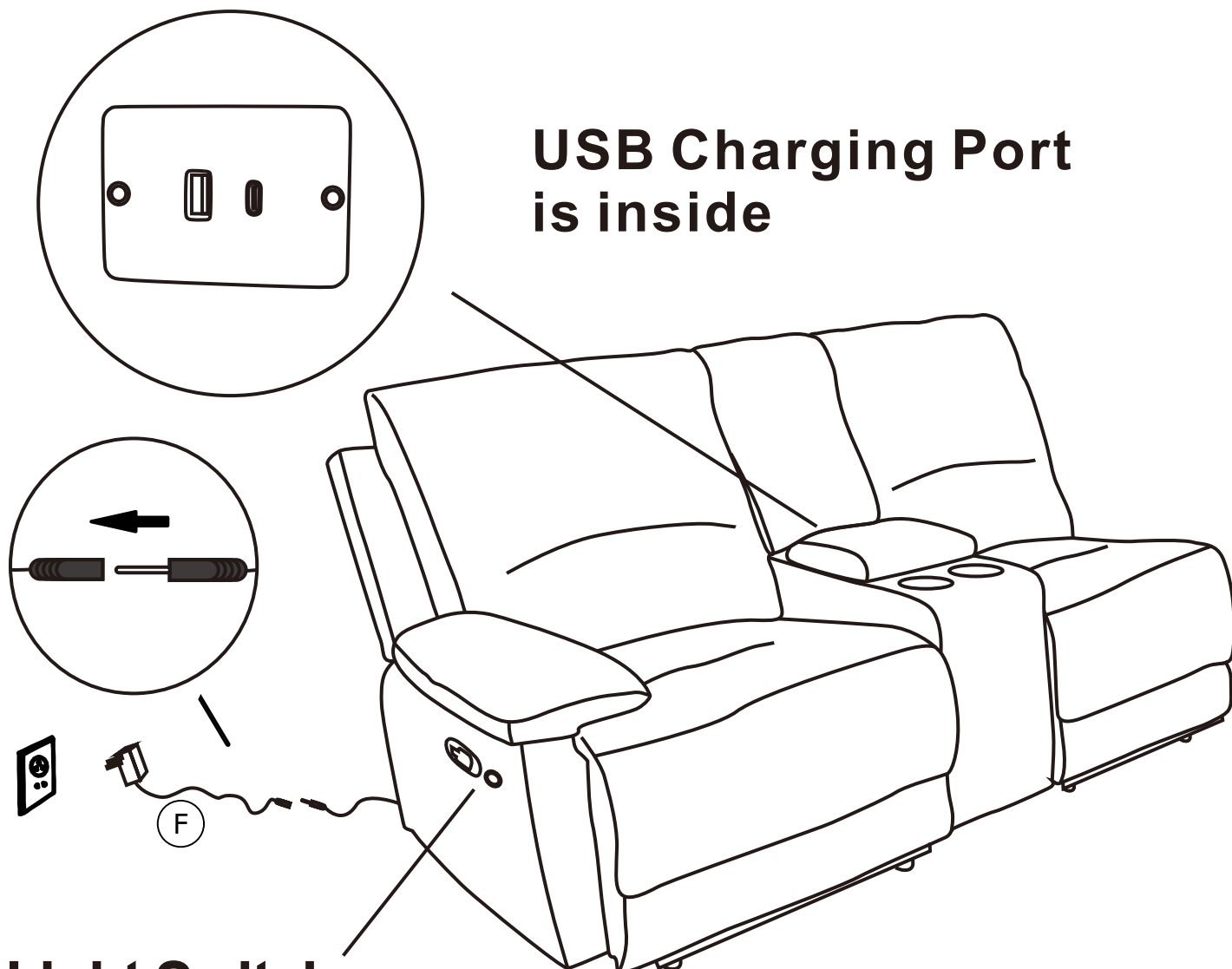
STEP 3: Insert **B**, **C**, **D** to **A**, as shown.



STEP 4: Insert **F** to **Sofa**, as shown.

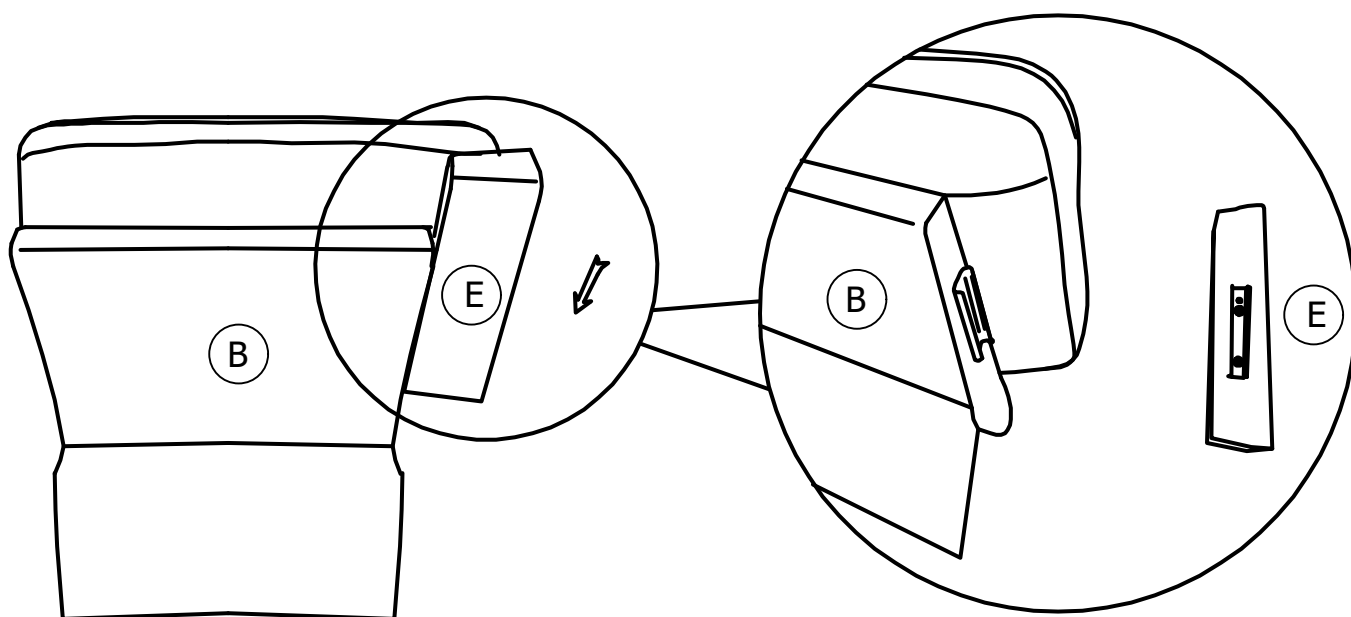
The switch controls the light under the seat; and the USB charging port is inside the console.

**USB Charging Port
is inside**

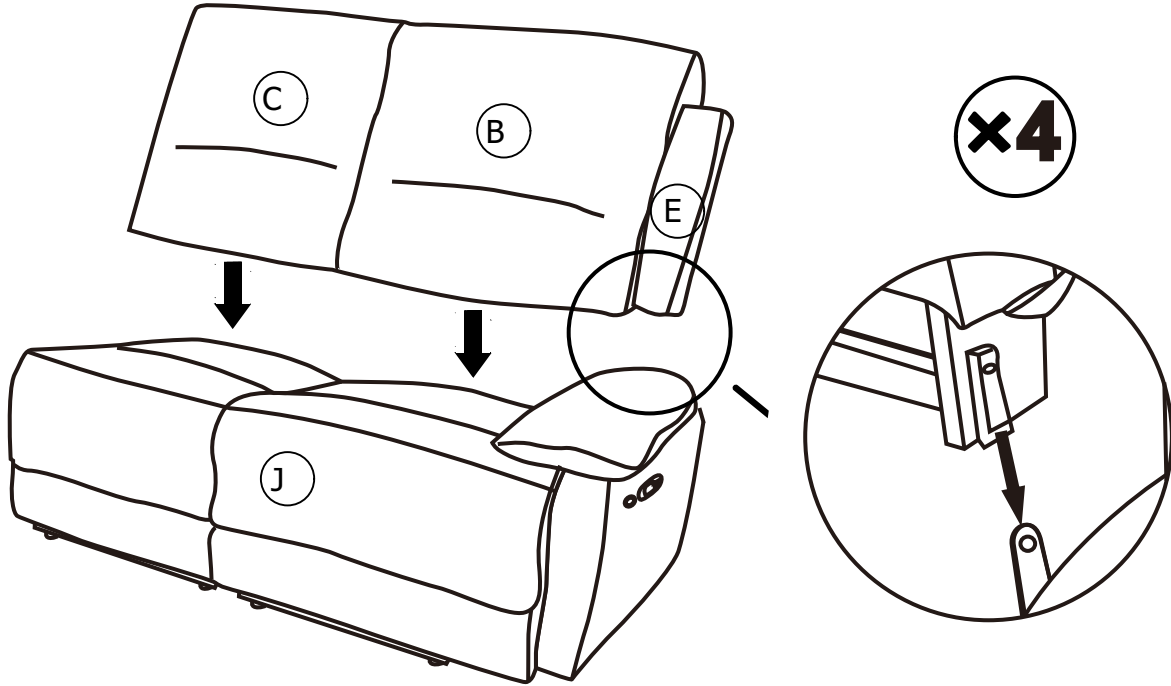


Light Switch

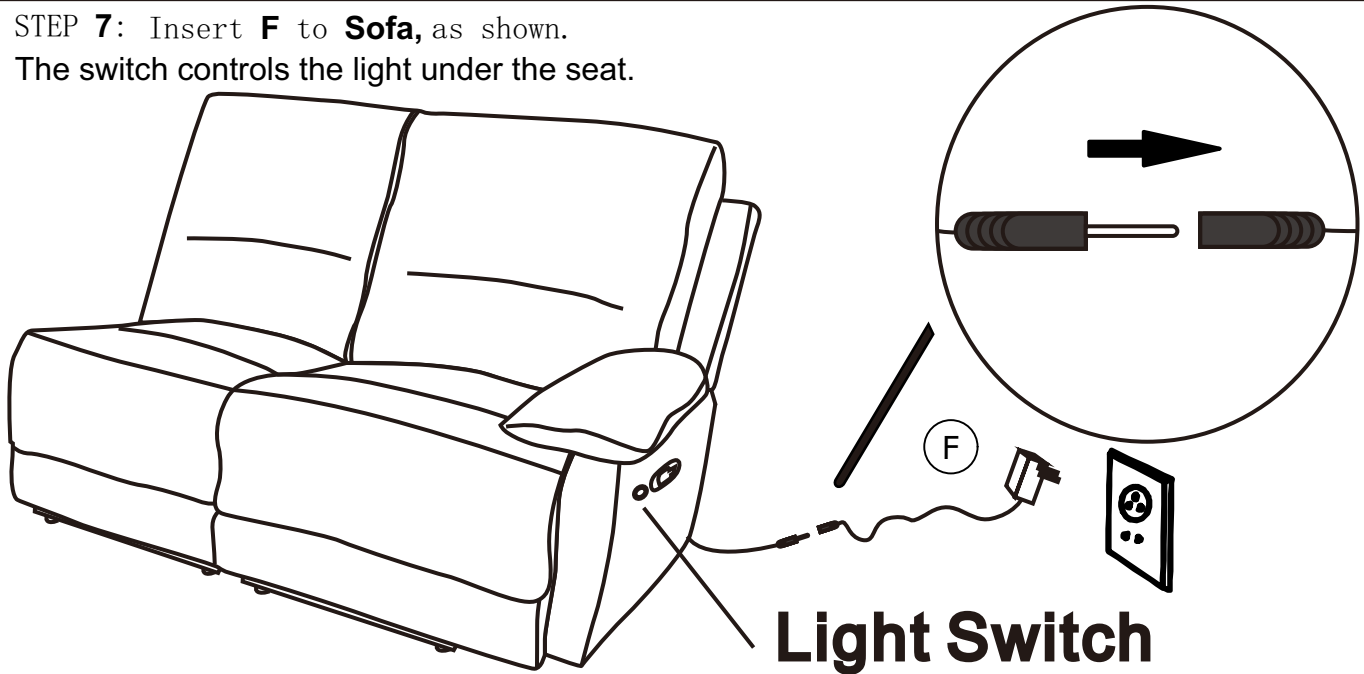
STEP 5: Insert **E** to **B**, as shown.



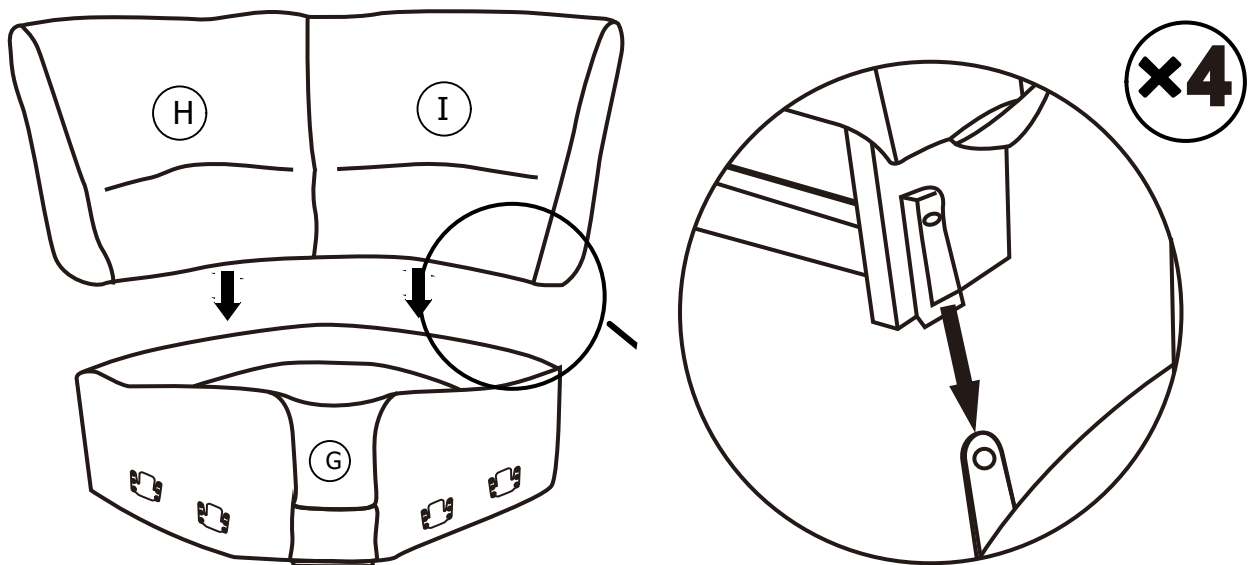
STEP 6: Insert **B**, **C** to **J**, as shown.



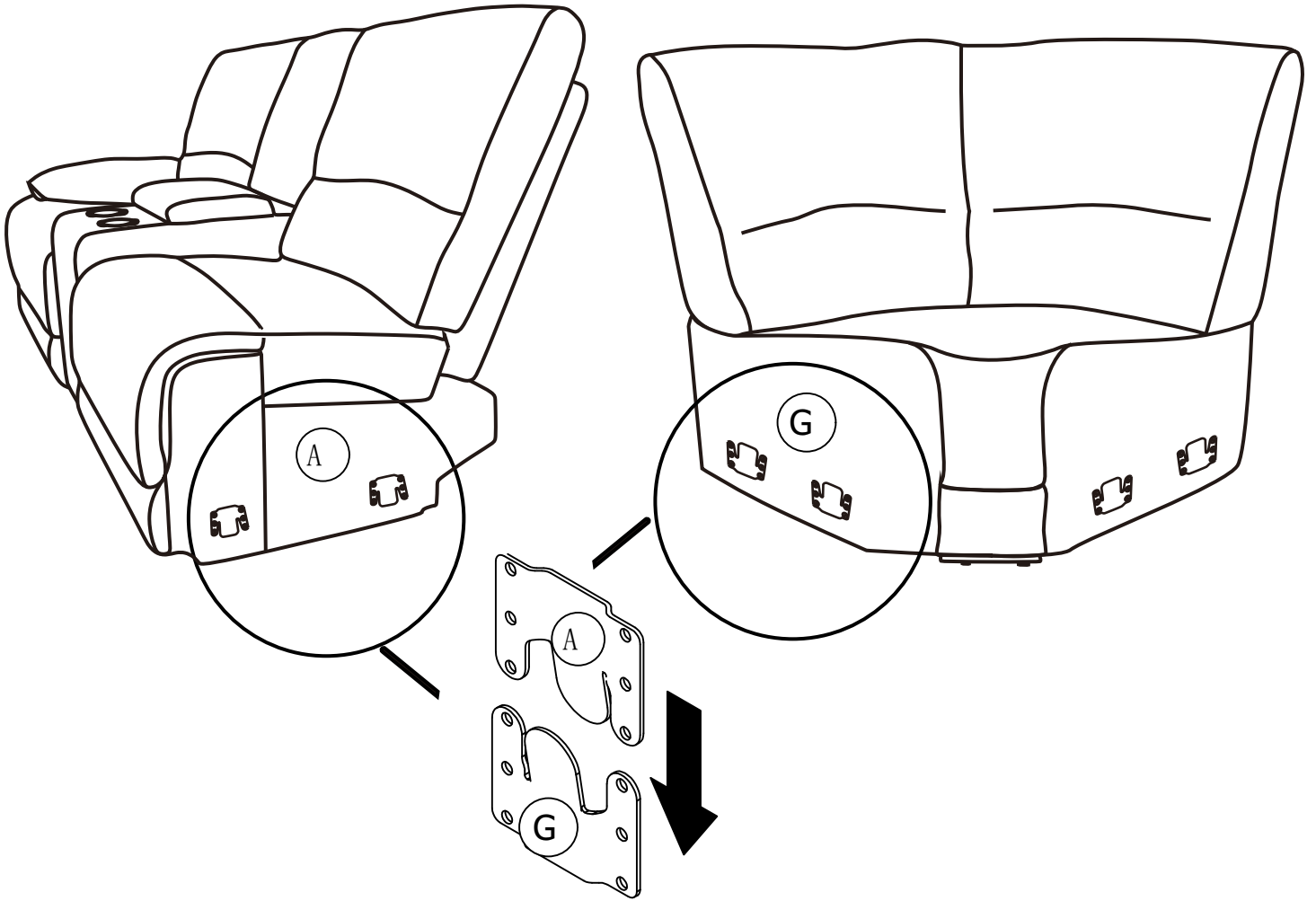
STEP 7: Insert **F** to **Sofa**, as shown.
The switch controls the light under the seat.



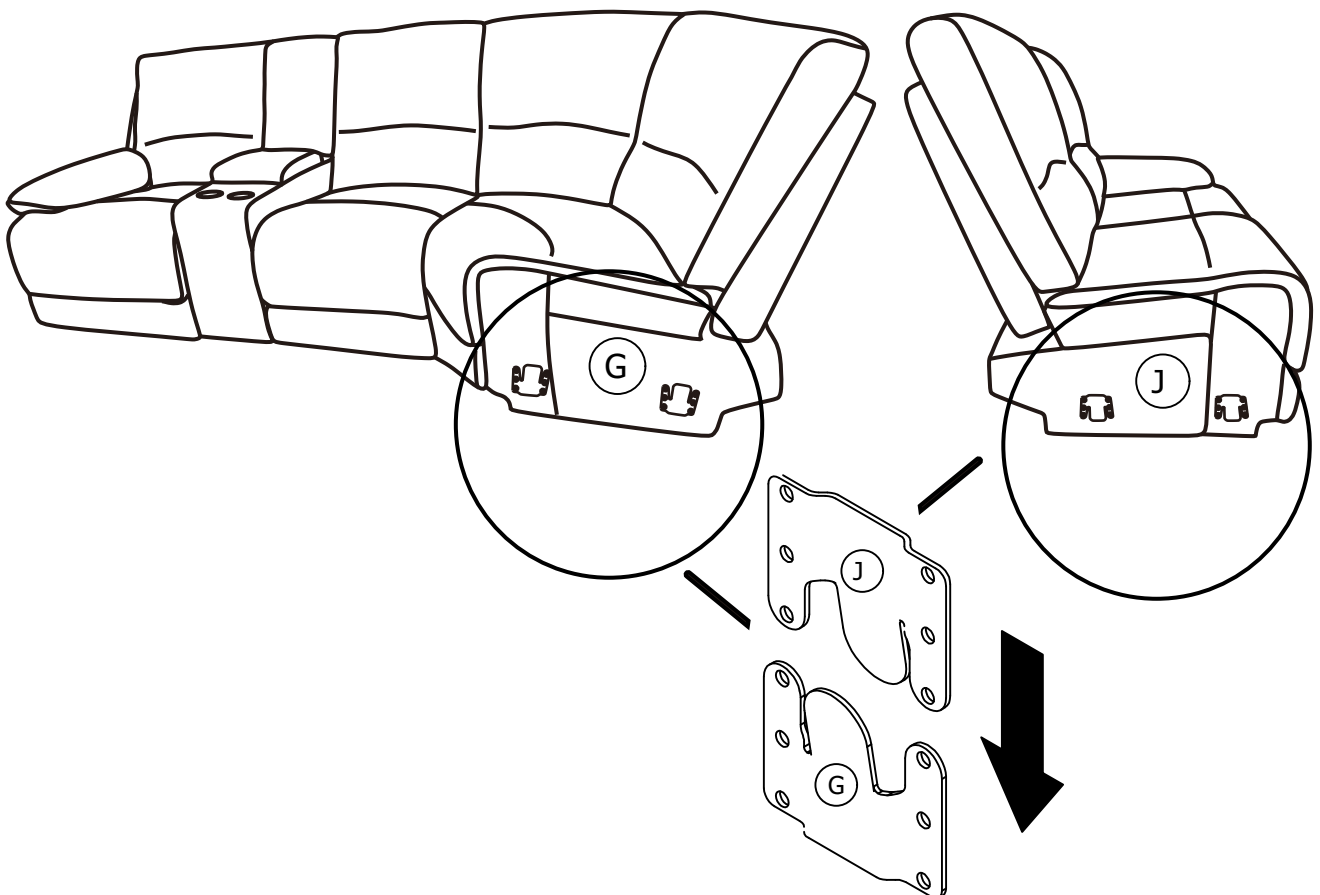
STEP 8: Insert **H**, **I** to **G**, as shown.



STEP 9: Insert **A** to **G**, as shown.



STEP 10: Insert **J** to **G**, as shown.



COMPLETED

