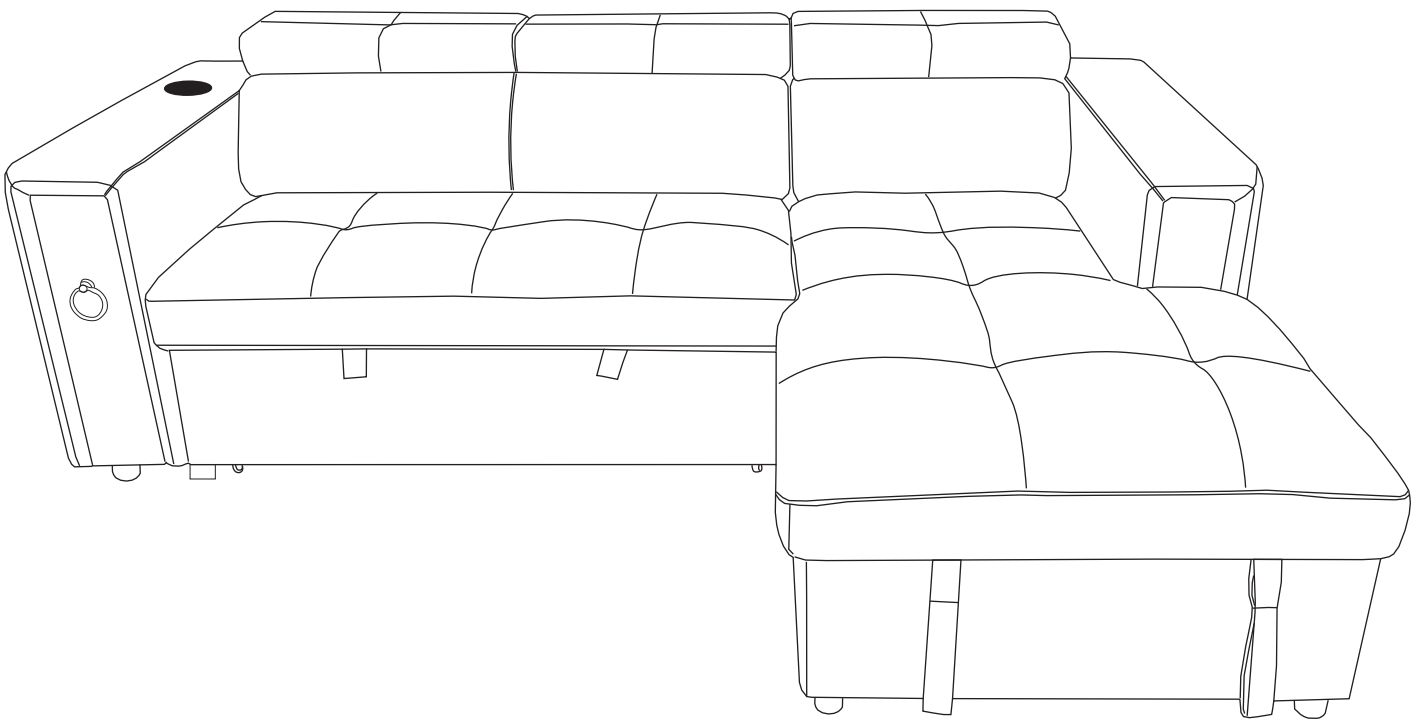


# ASSEMBLY INSTRUCTIONS

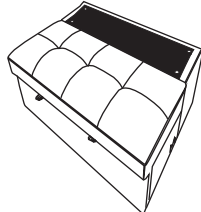
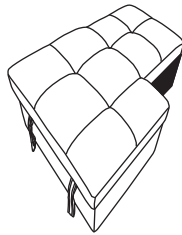
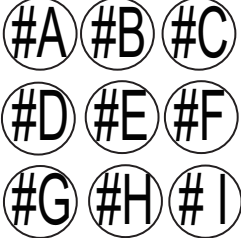
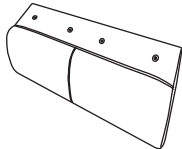
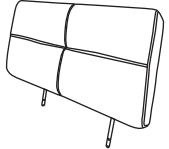
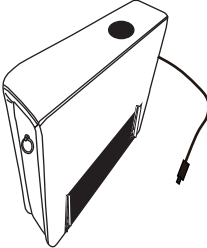
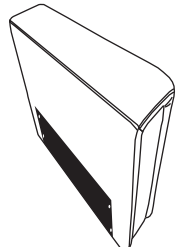
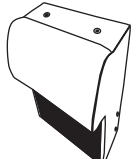
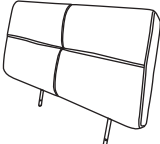
---

WF309670/71/72/73

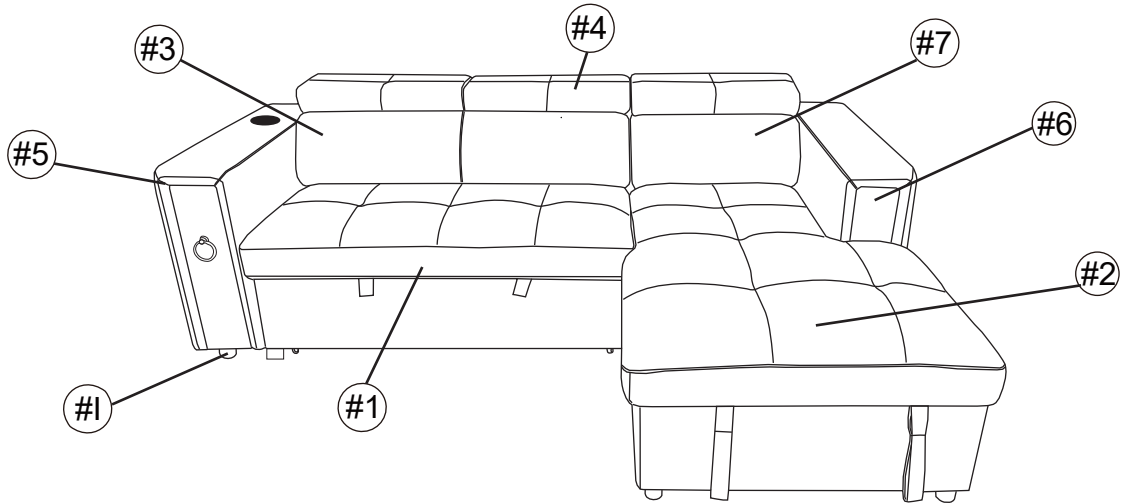


# ASSEMBLY INSTRUCTIONS

## SOFA is packed in 4 cases

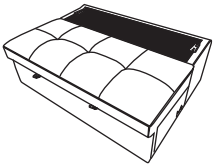
Carton	Disignation	Part		Hardware/Leg
1/4 WF309670	Sofa seat	#1		
2/4 WF309671	Chaise seat	#2		
	Sofa backrest	#3		
	Headrest	#4		
3/4 WF309672	Left arm	#5		
	Right arm	#6		
4/4 WF309673	Chaise backrest	#7		
	Headrest	#4		

# ASSEMBLY INSTRUCTIONS



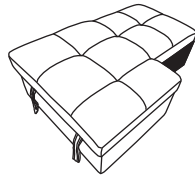
## PARTS

#1 1pc



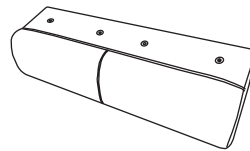
Sofa seat

#2 1pc



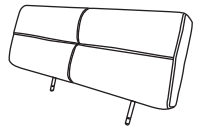
Chaise seat

#3 1pc



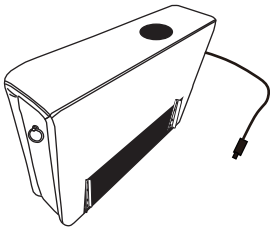
Sofa backrest

#4 3pcs



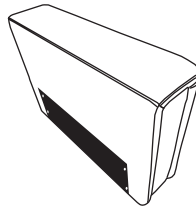
Headrest

#5 1pc



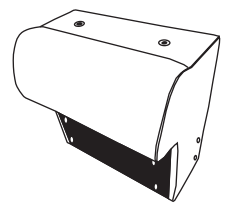
Left arm

#6 1pc



Right arm

#7 1pc



Chaise backrest

## HARDWARE/LEG

#A 12 pcs



WHOLE TOOTH SCREW 90mm L

#B 12 pcs



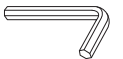
FLAT WASHER 22mm

#C 8 pcs



BOLT 1/4\*15mm

#D 1 pc



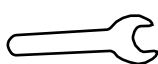
ALLEN KEY 4\*59mm

#E 12 pcs



NUT

#F 1 pc



WRENCH

#G 10pcs



PLASTIC FOOT  $\phi 60 \times 50 \text{MM.H}$

#I 2pcs



WOOD FOOT 45\*45\*45MM.H

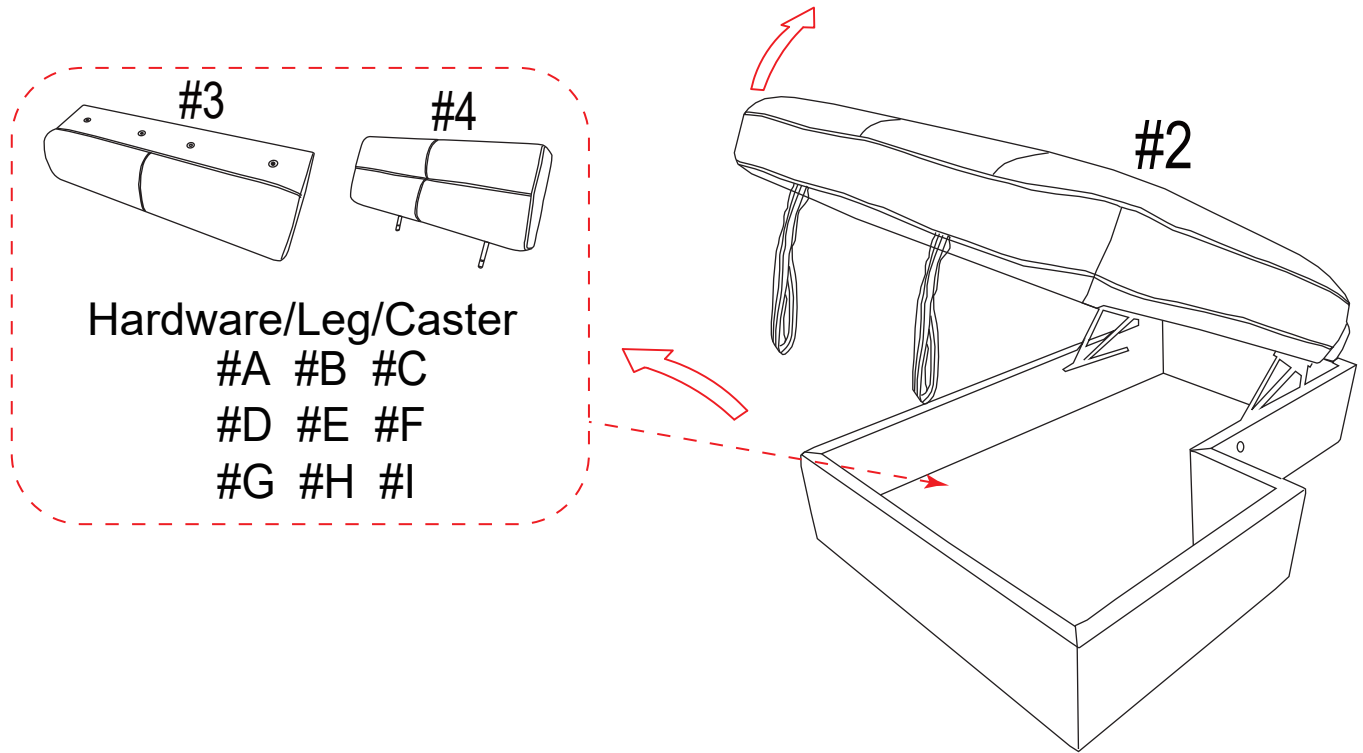
#H 4 pcs



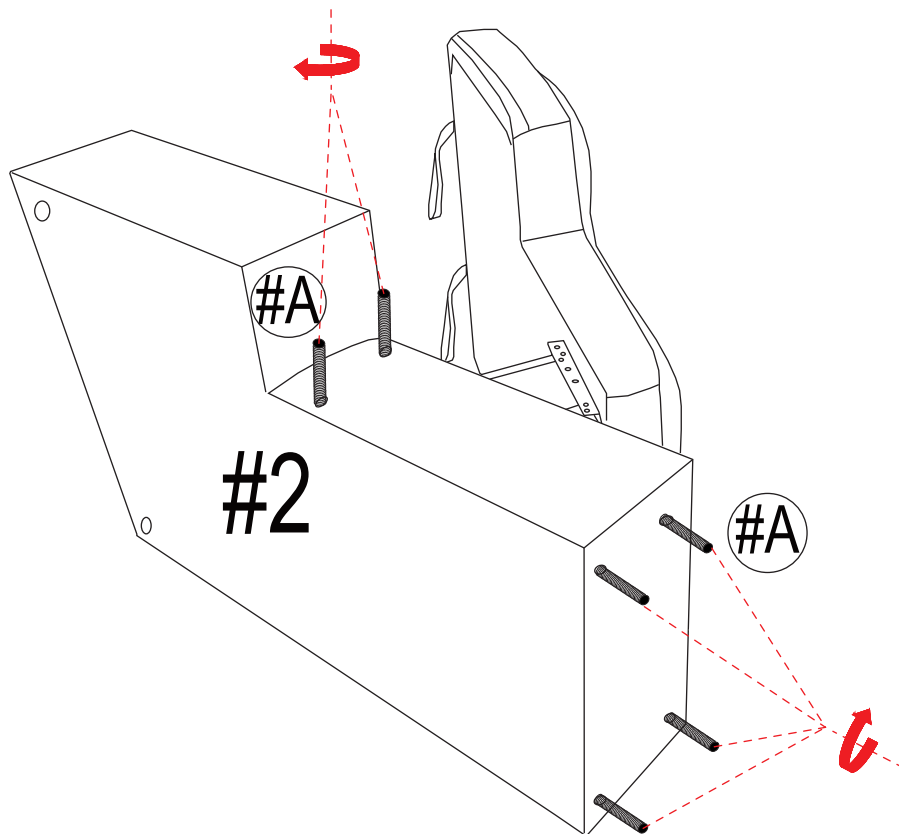
CASTER

# ASSEMBLY INSTRUCTIONS

## STEP:1

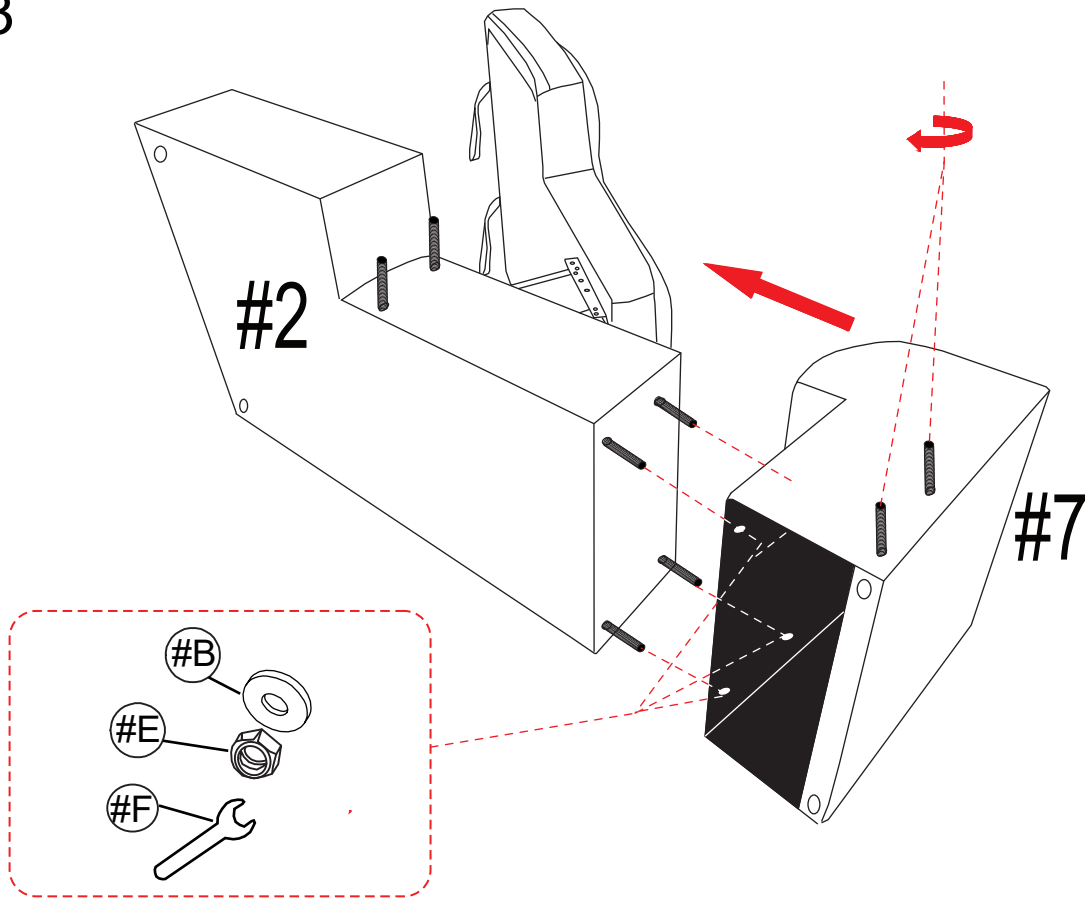


## STEP:2

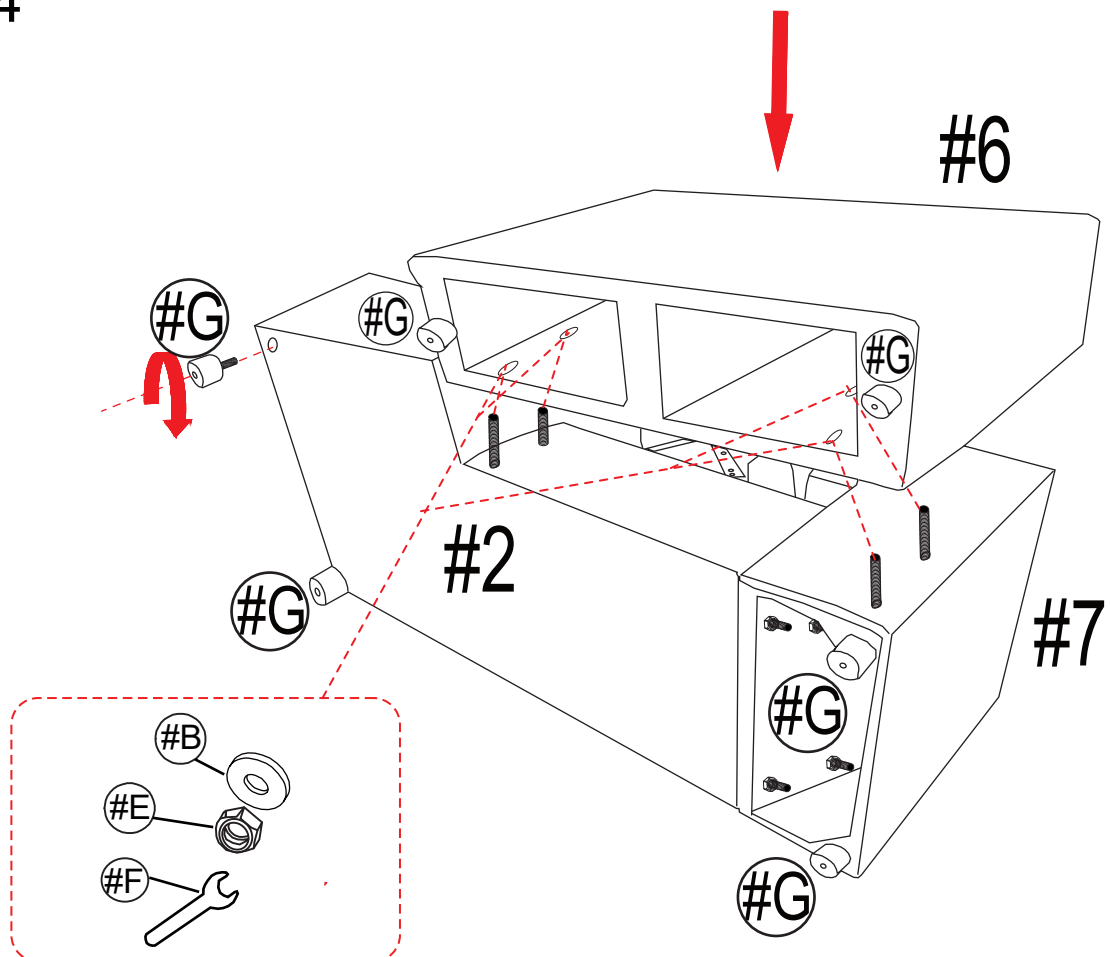


# ASSEMBLY INSTRUCTIONS

## STEP:3

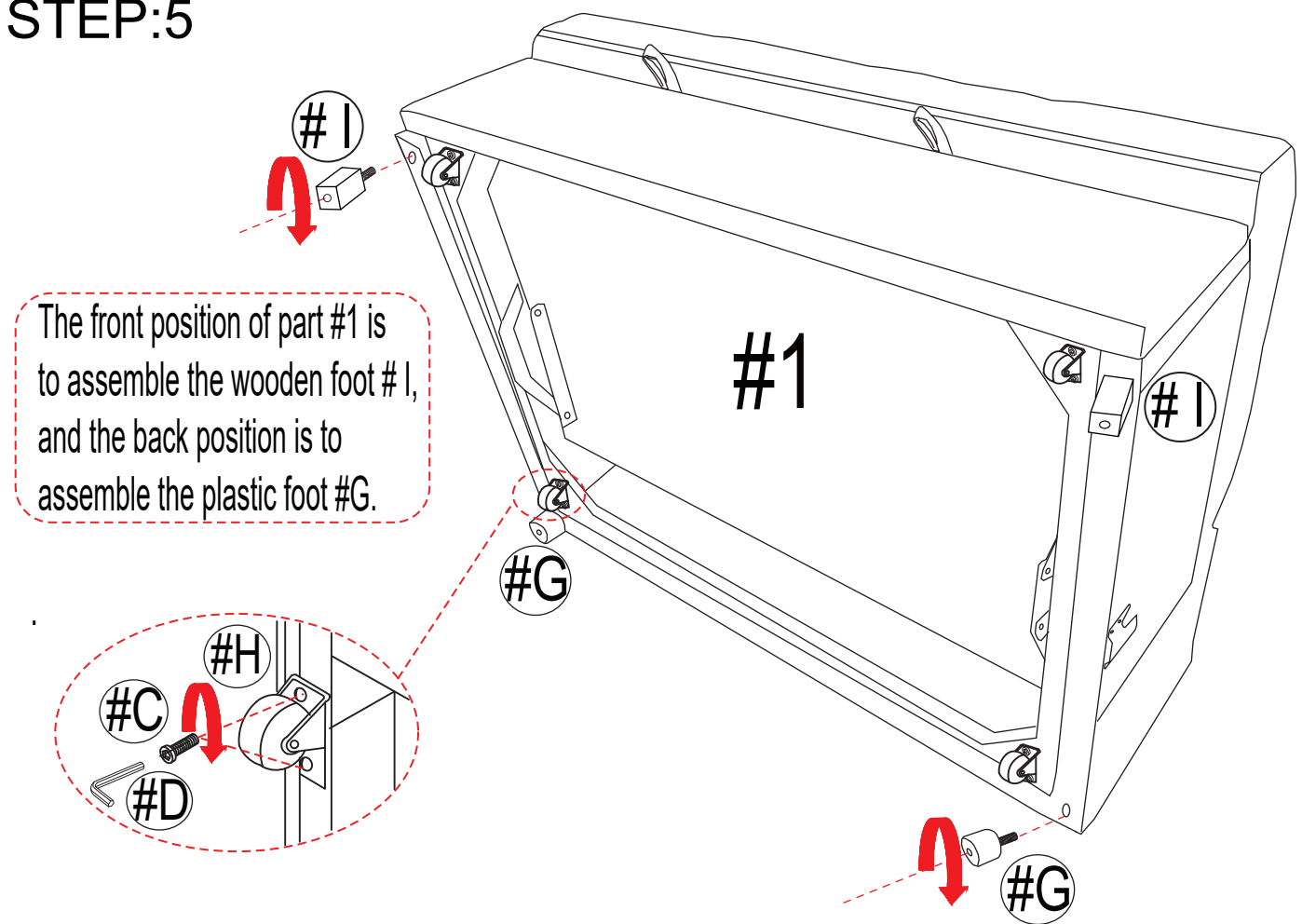


## STEP:4

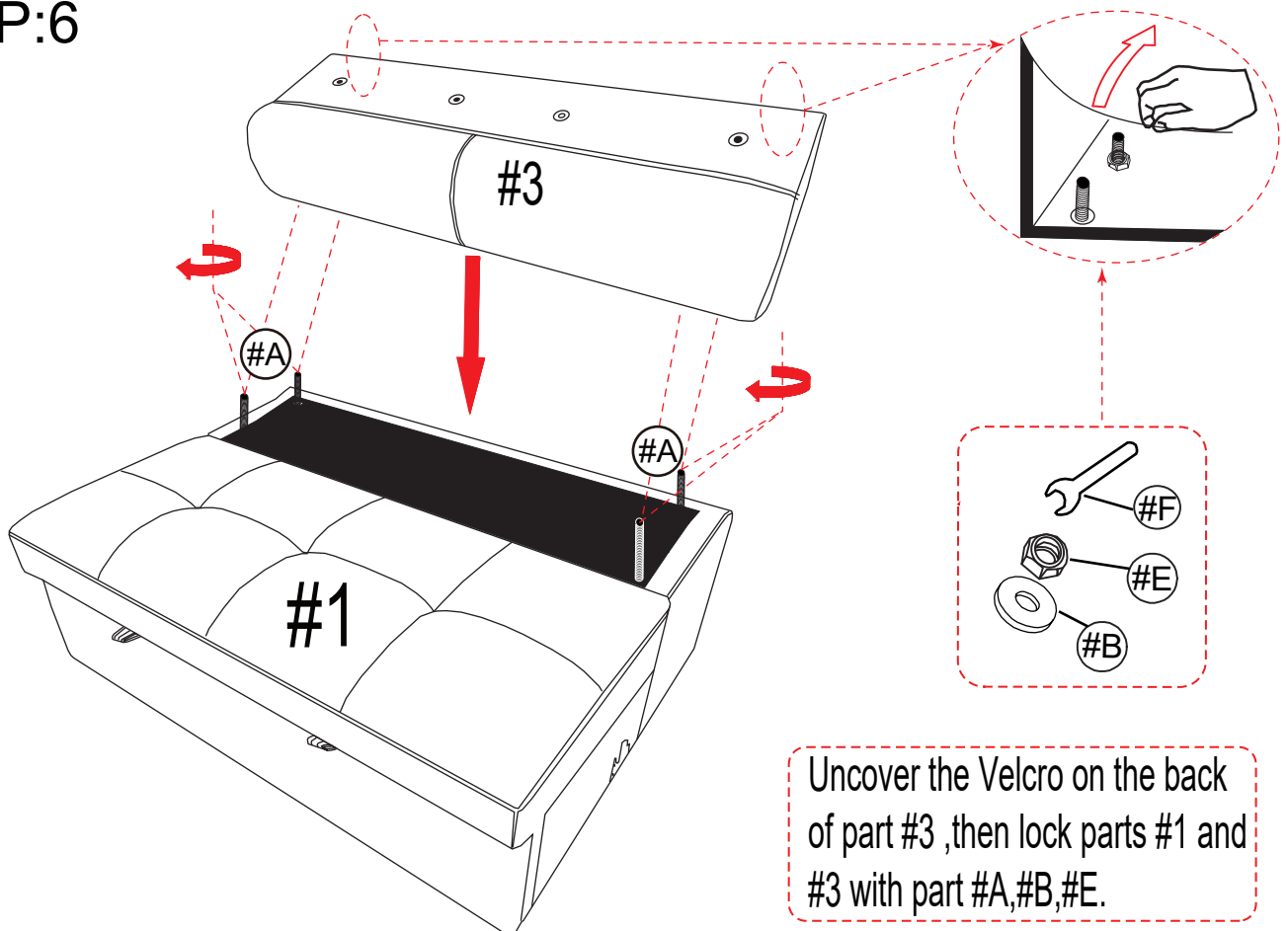


# ASSEMBLY INSTRUCTIONS

## STEP:5

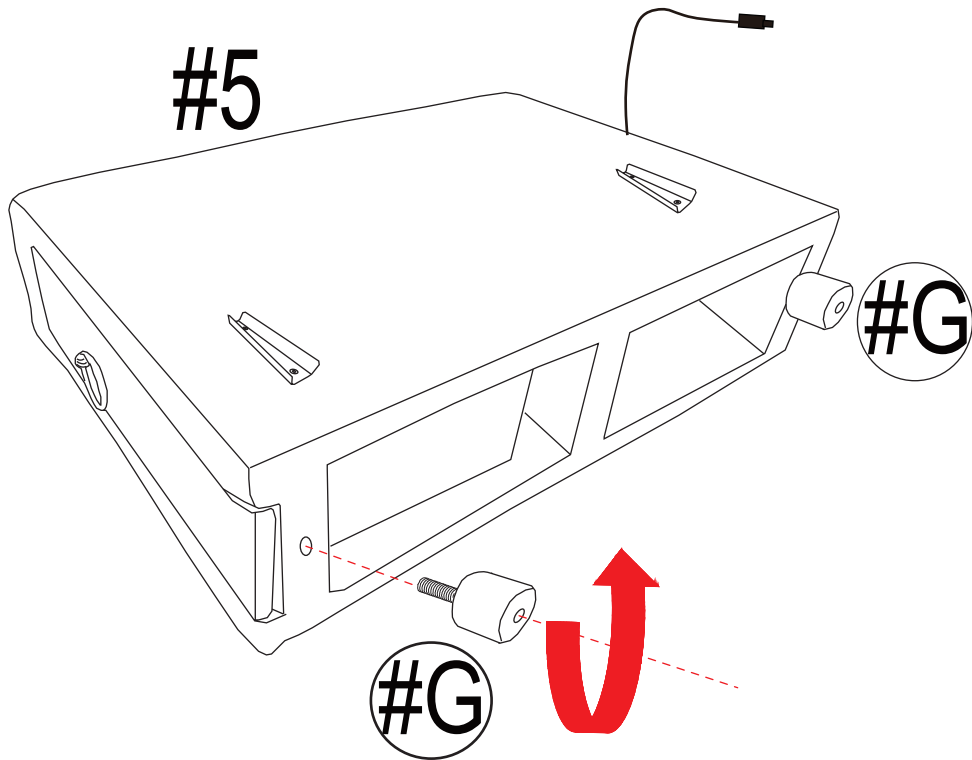


## STEP:6

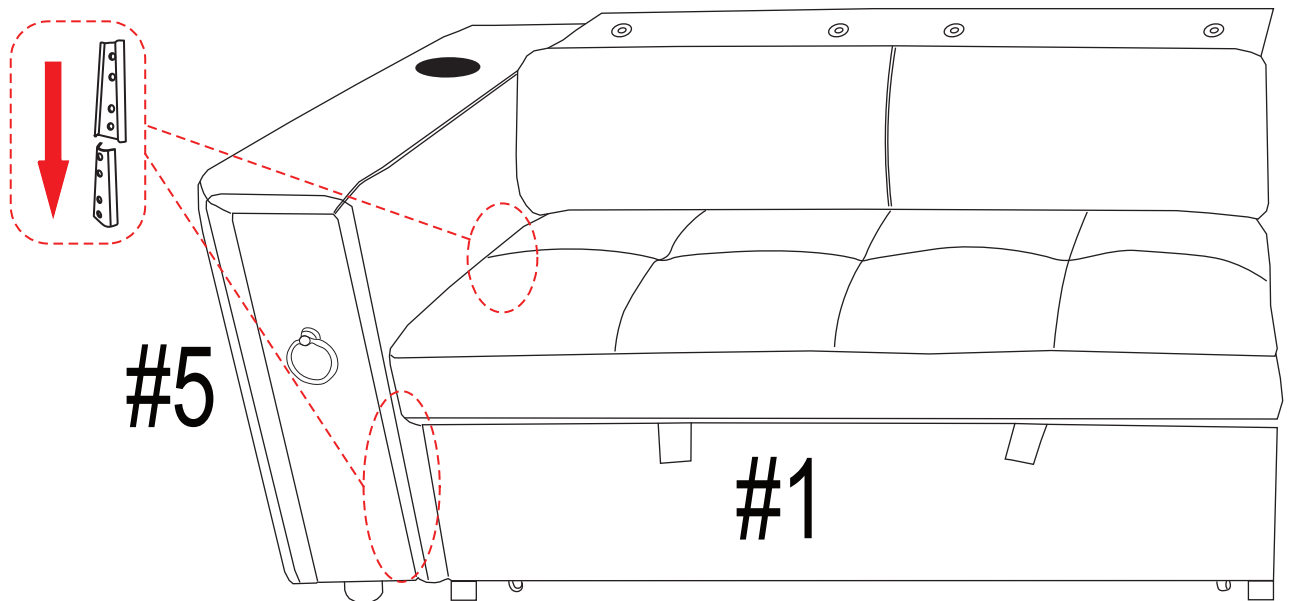


# ASSEMBLY INSTRUCTIONS

## STEP:7

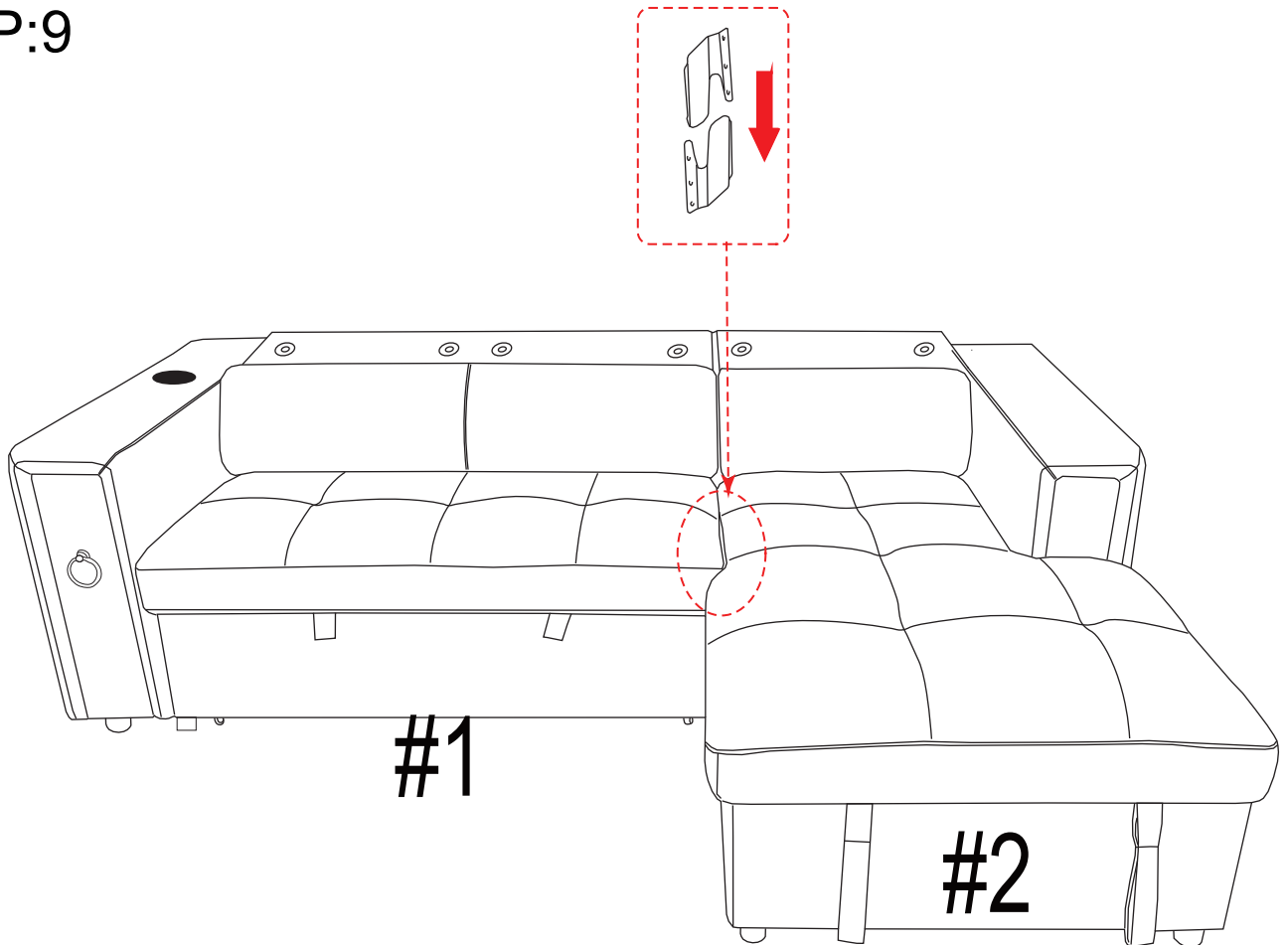


## STEP:8

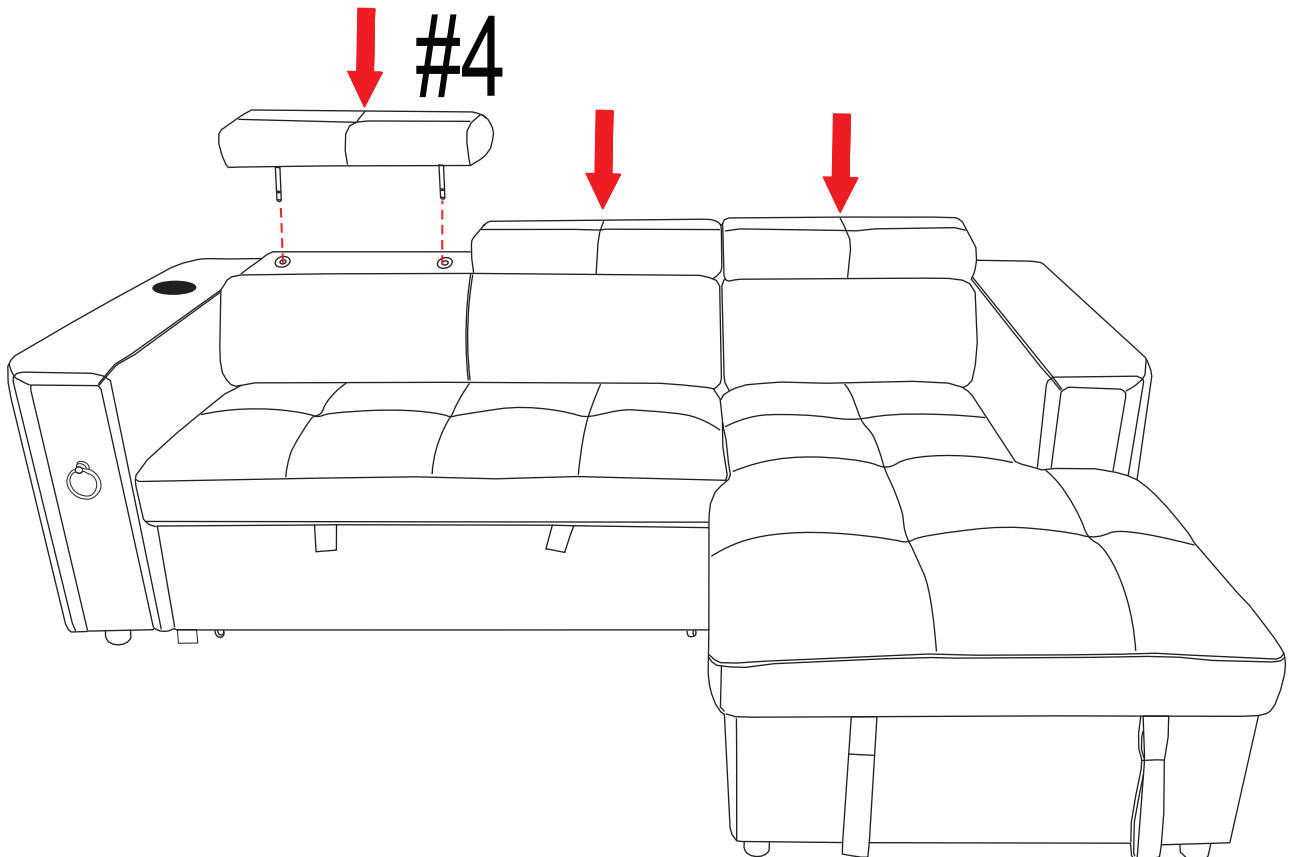


# ASSEMBLY INSTRUCTIONS

STEP:9



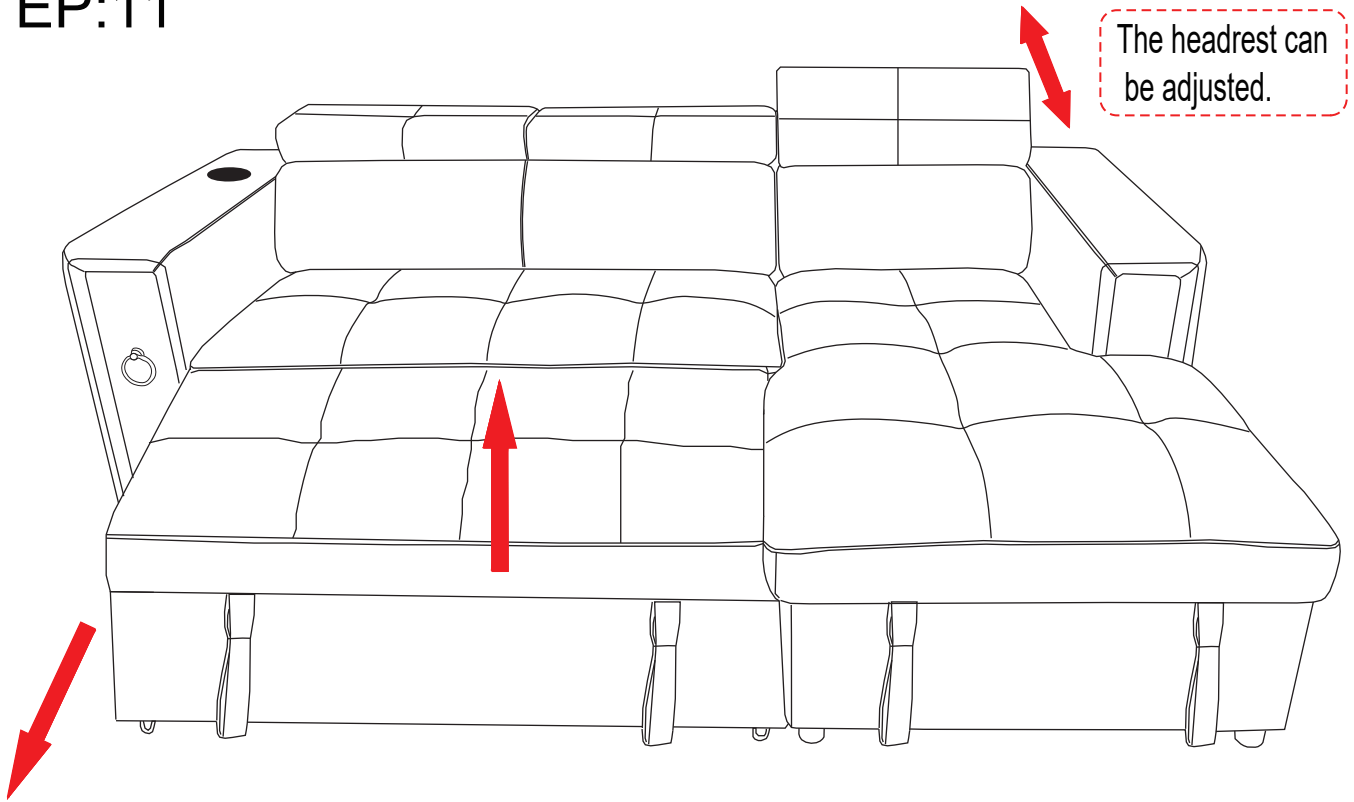
STEP:10





# ASSEMBLY INSTRUCTIONS

## STEP:11



## STEP:12

