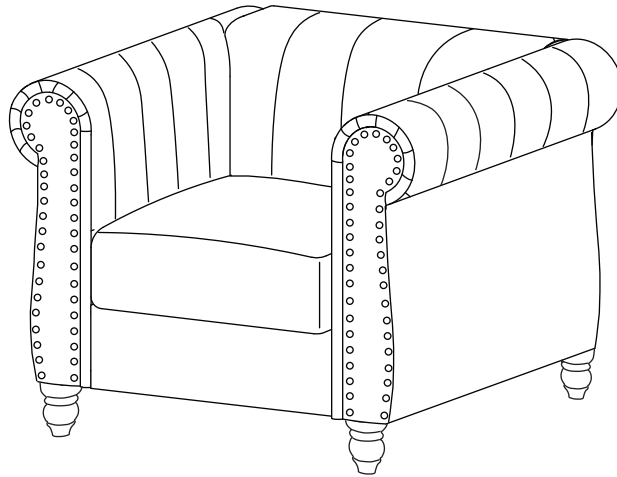


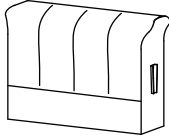
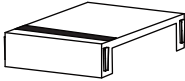


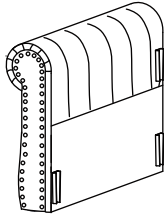
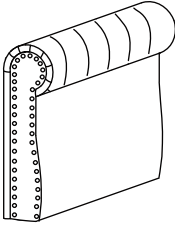
# ASSEMBLY INSTRUCTIONS

WF306099/100/105

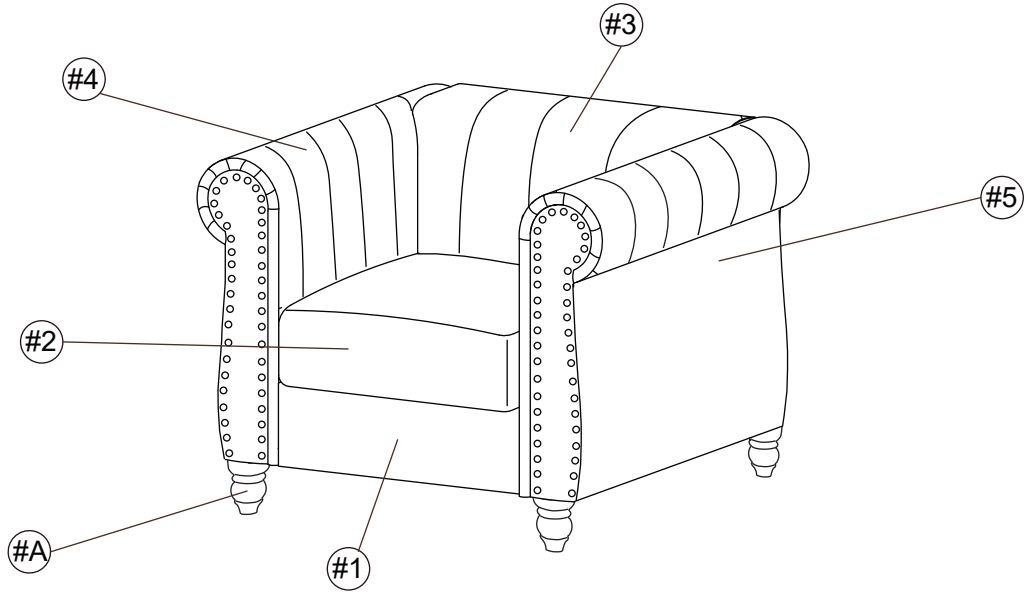
## SINGLE SOFA



SINGLE SOFA is packed in 3 cases

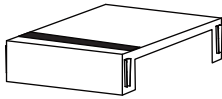
Carton	Disignation	Part	Hardware
1/3 WF306099	Backrest	#3 	
2/3 WF306100	Seat frame	#1 	 #A x 4pcs
	Seat cushion	#2 	
3/3 WF306105	Left arm	#4 	
	Right arm	#5 	

# ASSEMBLY INSTRUCTIONS



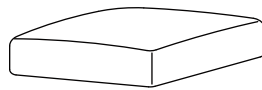
## PARTS

#1 1pc



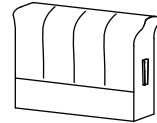
SEAT FRAME

#2 1pc



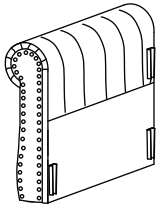
SEAT CUSHION

#3 1pc



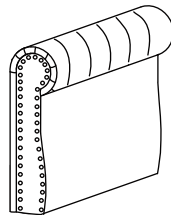
BACKREST

#4 1pc



LEFT ARM

#5 1pc



RIGHT ARM

## HARDWARE

#A 4 pcs



WOODEN LEG

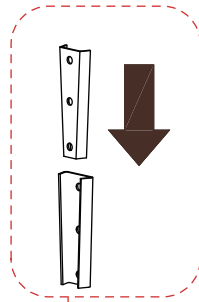
# ASSEMBLY INSTRUCTIONS

1

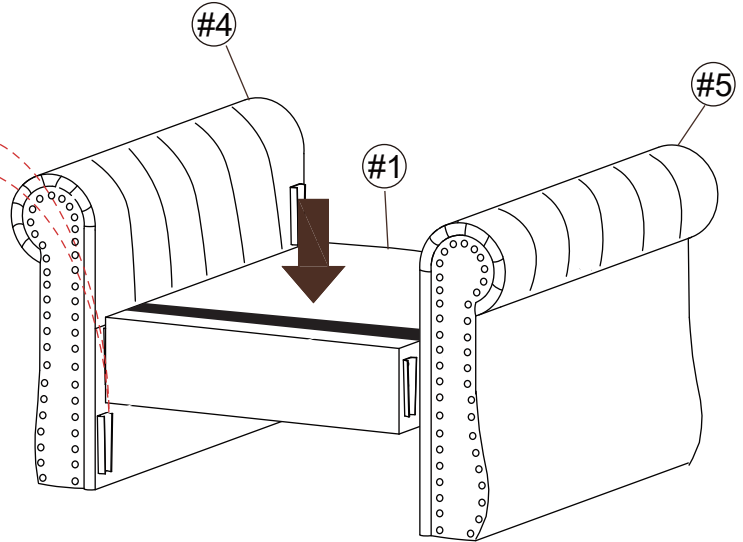
Part #1 x1pc

Part #4 x1pc

Part #5 x1pc



Hook the Seat Frame(#1) onto the Left Arm(#4) & Right Arm(#5) properly.

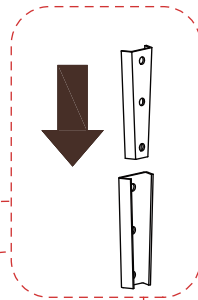


2

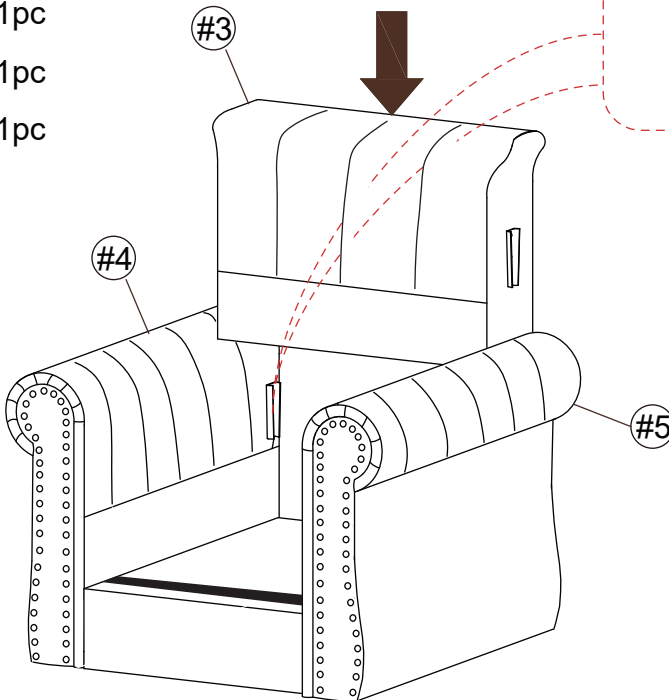
Part #3 x1pc

Part #4 x1pc

Part #5 x1pc



Hook the Backrest (#3) onto the Left Arm(#4) & Right Arm(#5) properly.



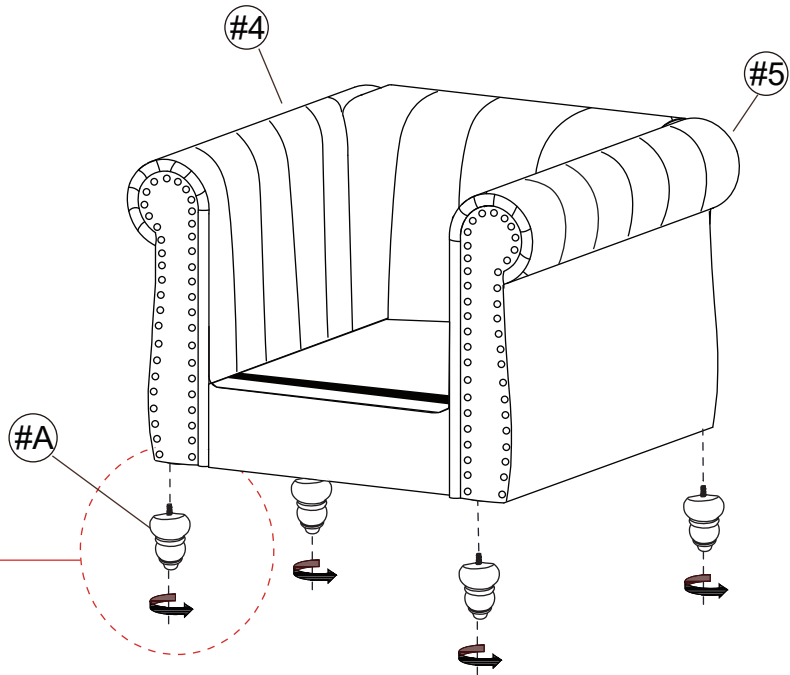
# ASSEMBLY INSTRUCTIONS

## 3

Part #4 x1pc

Part #5 x1pc

Hardware #A x4pcs



Align the Wooden Leg(#A) to Left Arm(#4) & Right Arm(#5) to the pre-drilled holes, then tighten the Wooden Leg(#A).

## 4

Part #2 x1pc

Put the Seat Cushion(#2) on Seat Frame(#1)

