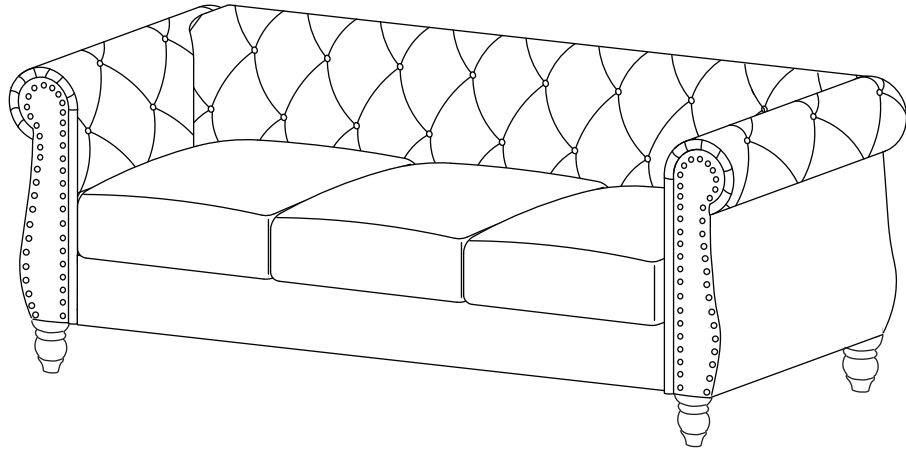


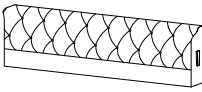


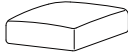
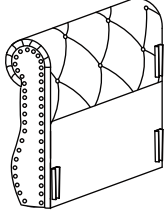
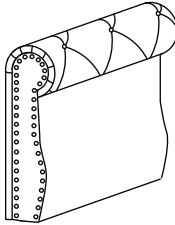
ASSEMBLY INSTRUCTIONS

WF306110/111/112

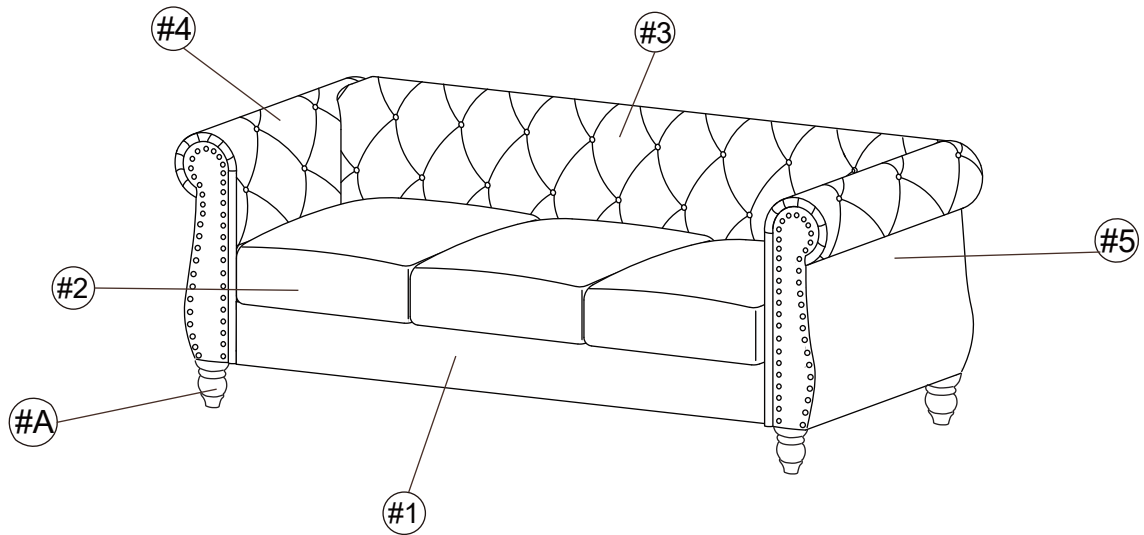
3 SEATER SOFA



3 SEATER SOFA is packed in 3 cases

Carton	Disignation	Part	Leg
1/3 WF306110	Backrest	#3 	
2/3 WF306111	Seat frame	#1 	 #A x 4pcs
	Seat cushion	#2 	
3/3 WF306112	Left arm	#4 	
	Right arm	#5 	

ASSEMBLY INSTRUCTIONS



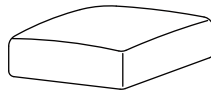
PARTS

#1 1pc



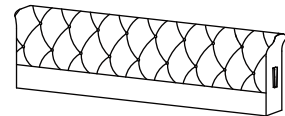
SEAT FRAME

#2 3pcs



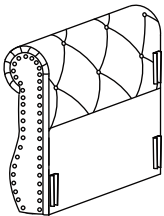
SEAT CUSHION

#3 1pc



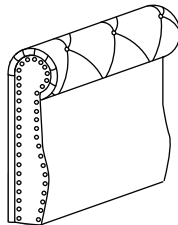
BACKREST

#4 1pc



LEFT ARM

#5 1pc



RIGHT ARM

LEG

#A 4 pcs

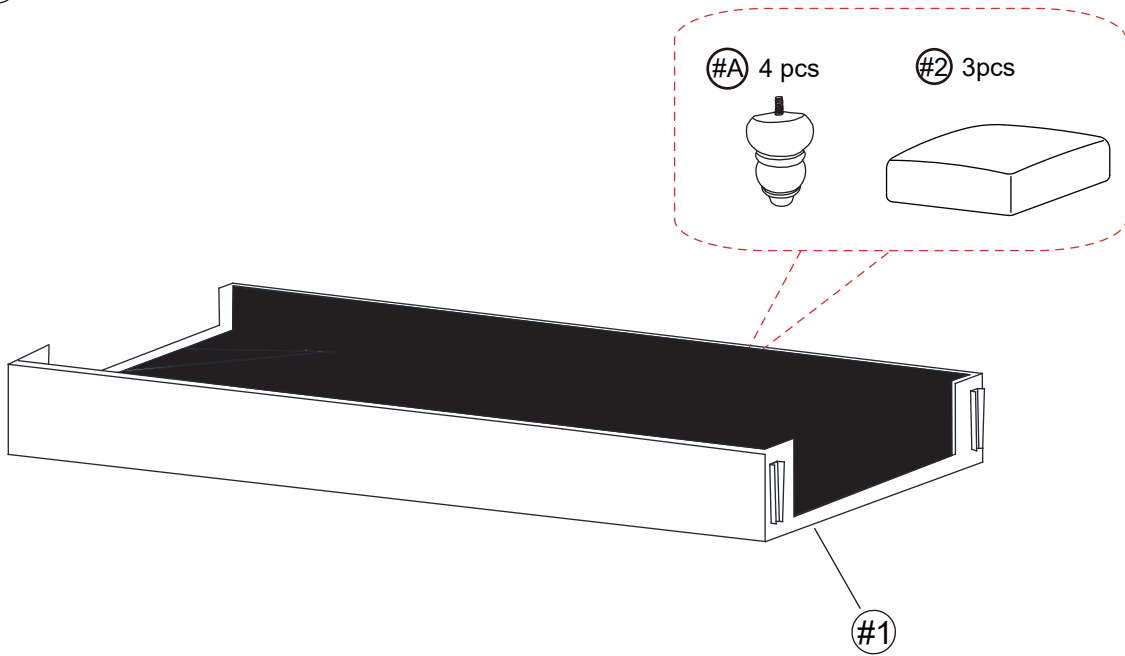


WOODEN LEG

ASSEMBLY INSTRUCTIONS

1

Part #1 x1pc

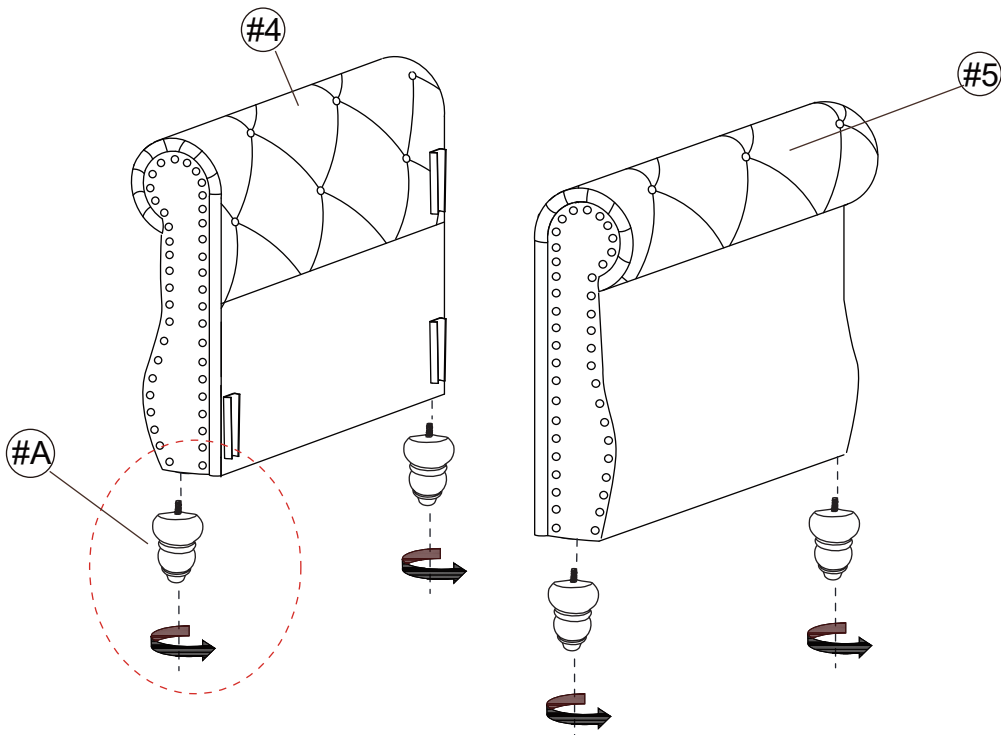


2

Part #4 x1pc

Part #5 x1pc

Leg #A x4pcs



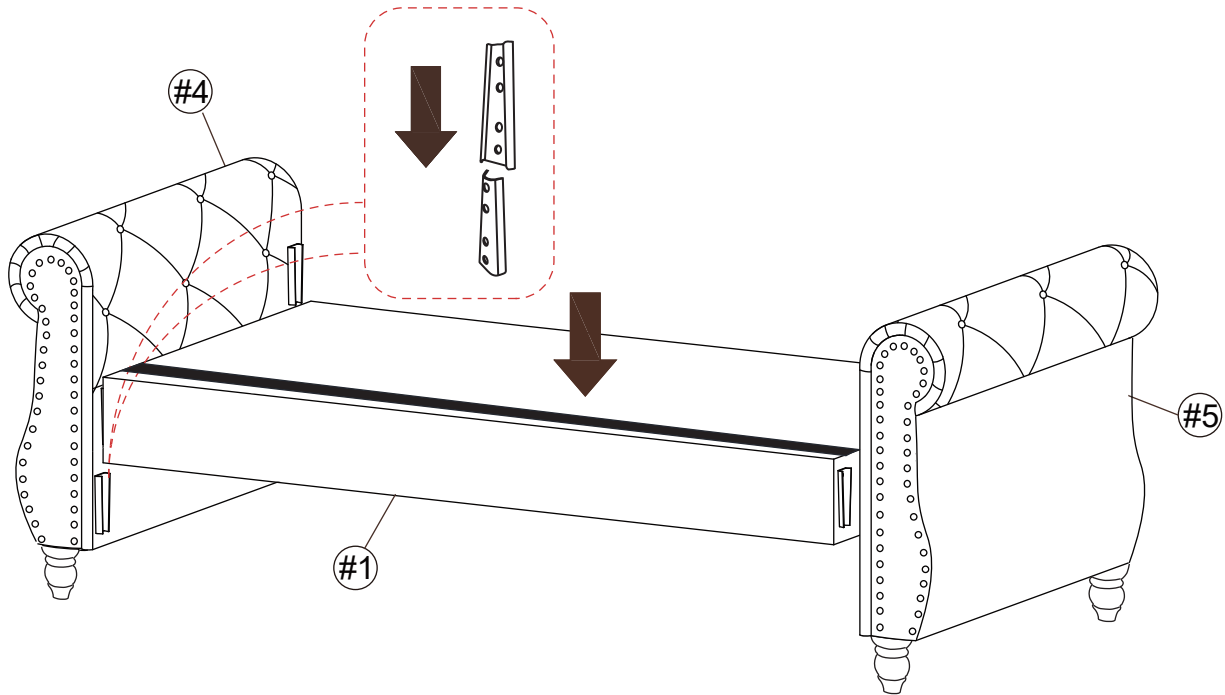
ASSEMBLY INSTRUCTIONS

3

Part #4 x1pc

Part #5 x1pc

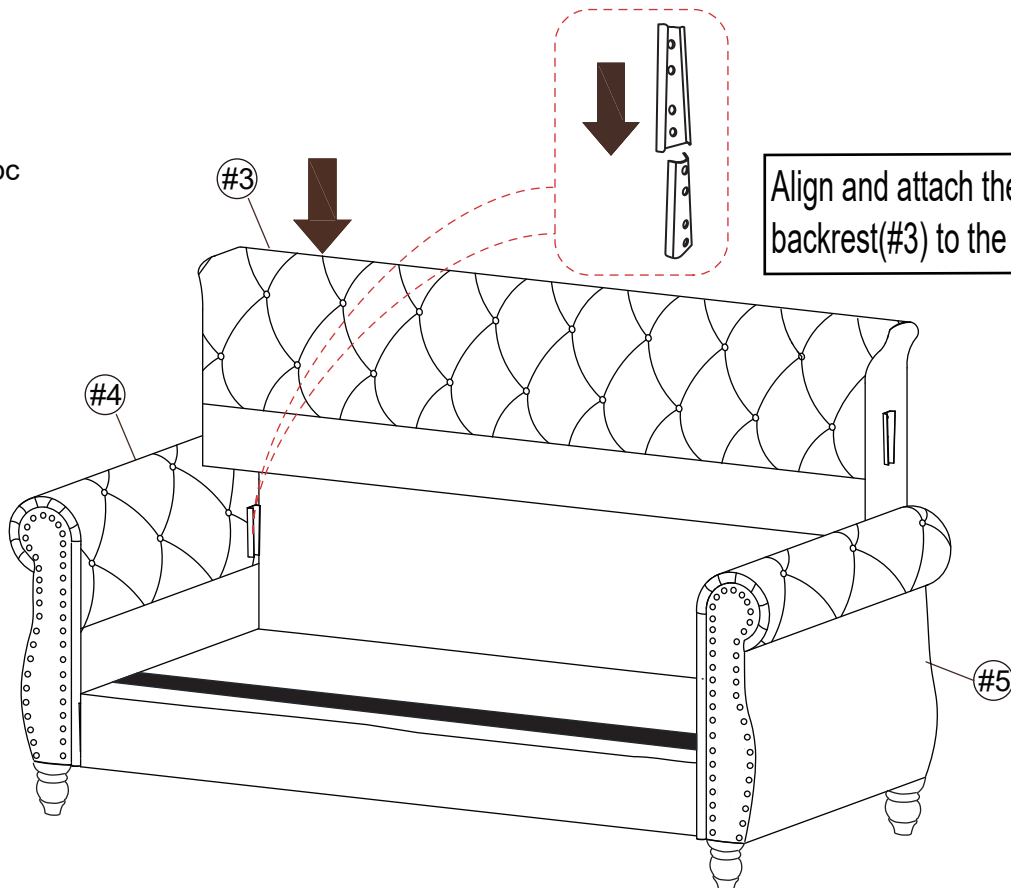
Align and attach the metal brackets of the seat (#1) to the arms (#4.5).



4

Part #3 x1pc

Align and attach the metal brackets of the backrest (#3) to the arms (#4.5).

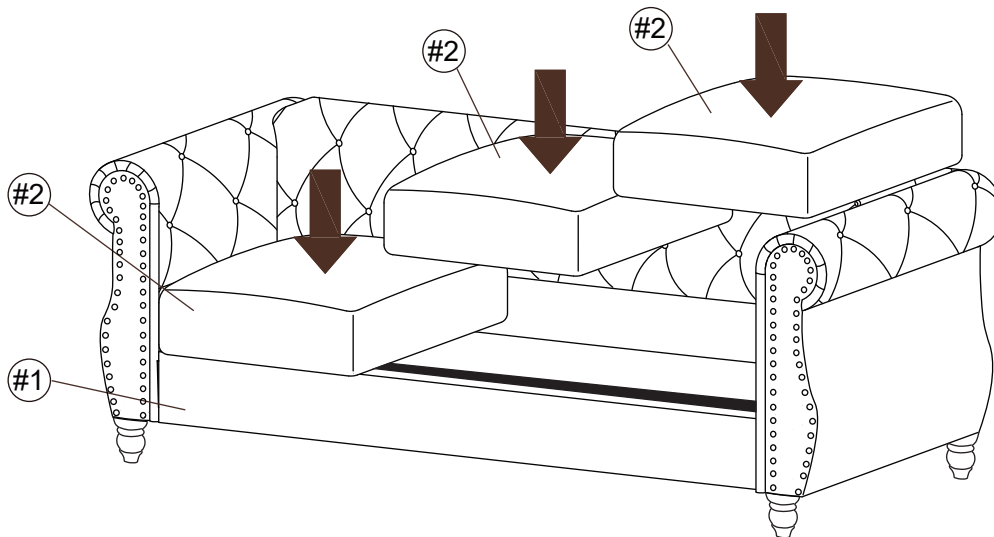


ASSEMBLY INSTRUCTIONS

5

Part #2 x3pcs

Put the cushion(#2) on the seat(#1).



6

