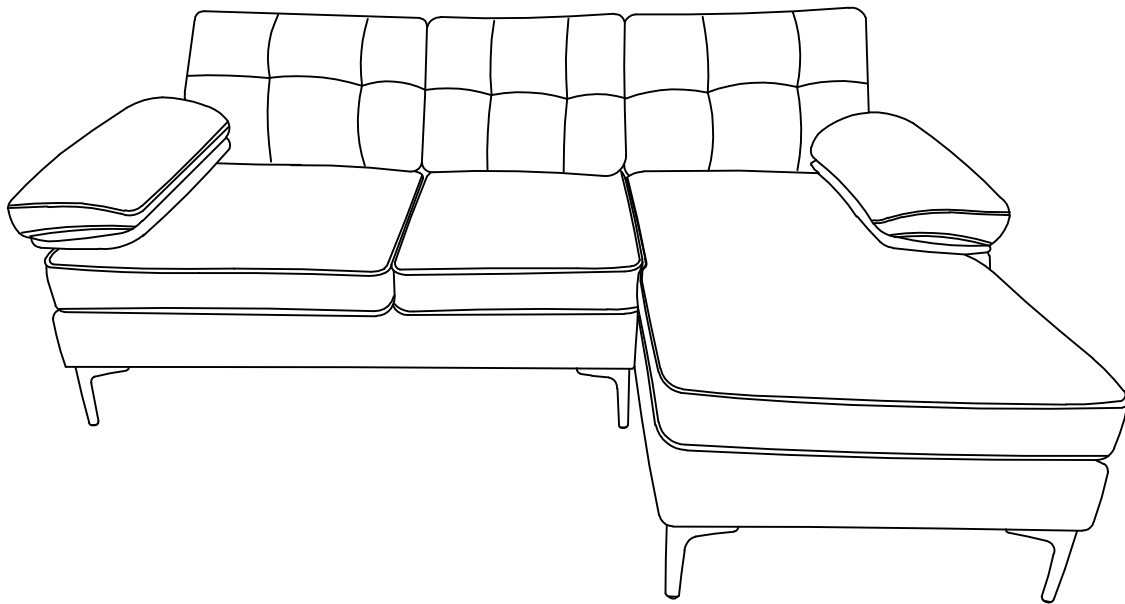


ASSEMBLY INSTRUCTION

WF306555
WF306556

Friendly Reminder:

- 1.This sofa is packed in 2 boxes. Please assemble it After all boxes are received.
- 2.As the cushions are all vacuum compressed,there will be some wrinkles. Please give your cushions up to 72 hours to reach its original size and the wrinkles will basically disappear.
- 3.Please do not open the compressed packages until your sofa frame is completely assembled.


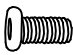
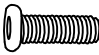



Return & Warranty policy:

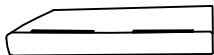


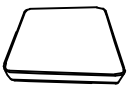

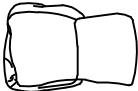
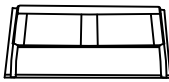
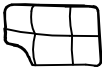

- We strive to offer the highest quality products,and we also try our best to satisfy each and every customer that orders from us with replacement parts or service as needed.
- If the item is damaged or defective, please take photos as evidence for replacements and refunds.
- Please do not return to store,contact the seller if you have any troubles with this product.

ASSEMBLY INSTRUCTION

HARDWARE








NO	DESCRIPTION	SKETCH	QTY
1	Washer		8
2	Screws 8X18		16
3	Screws 8X60		8
4	Wrench		1

PARTS LIST WF306555

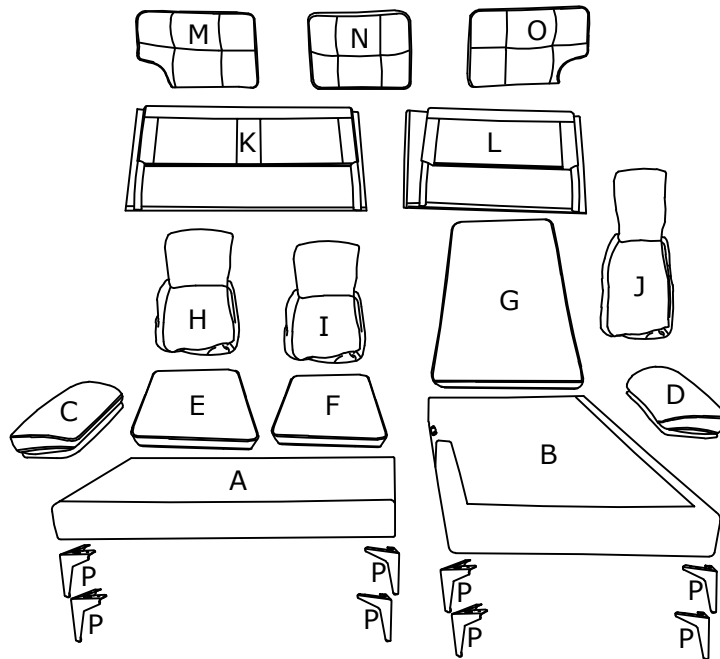
NO	DESCRIPTION	SKETCH	QTY
A	Love seat frame		1
C	Armrest (left)		1
E	Seat cushion (left)		1
F	Middle seat cushion		1
H	Seat cover (left)		1
I	Middle seat cover		1
K	Love seat backrest		1
M	Back cushion (left)		1
N	Middle back cushion		1

ASSEMBLY INSTRUCTION

PARTS LIST WF306556

NO	DESCRIPTION	SKETCH	QTY
B	Chaise frame		1
D	Armrest (right)		1
G	Chaise cushion		1
J	Chaise cover		1
L	Chair backrest		1
O	Chair cushion		1
P	Leg		8



All parts and hardwares.



3/8

DIAGRAM 1 (Assemble the Legs)

Connect the Legs (Parts P) with the Screws M8X18 (Hardware 2) by Wrench(Hardware 4).

2	 M8X18	8PCS
P		4PCS

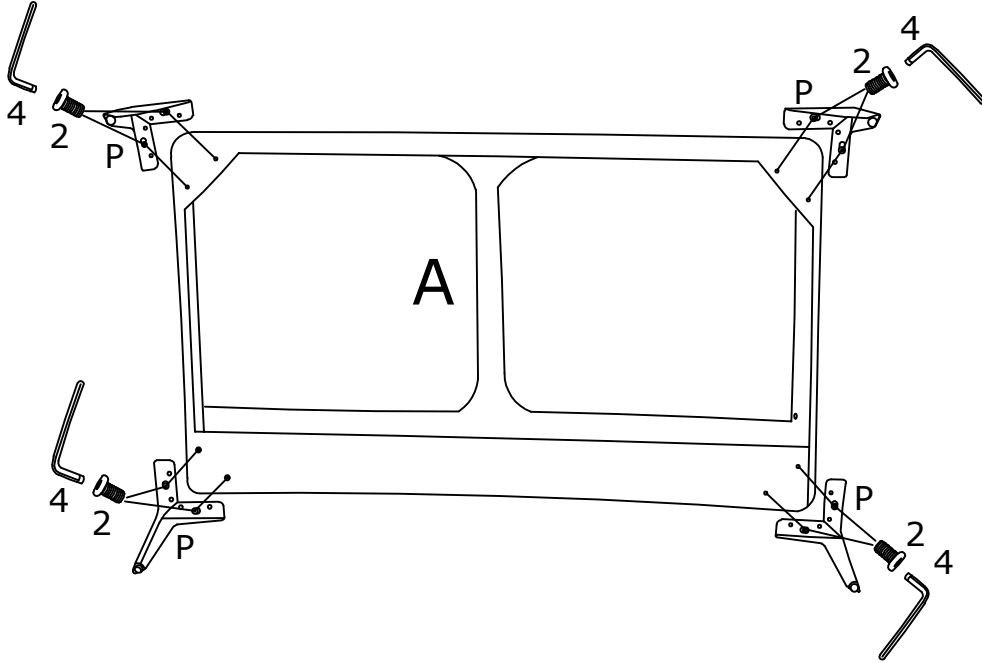




DIAGRAM 2 (Assemble the Legs)

Connect the Legs (Parts P) with the Screws M8X18 (Hardware 2) by Wrench(Hardware 4).

2	 M8X18	8PCS
P		4PCS

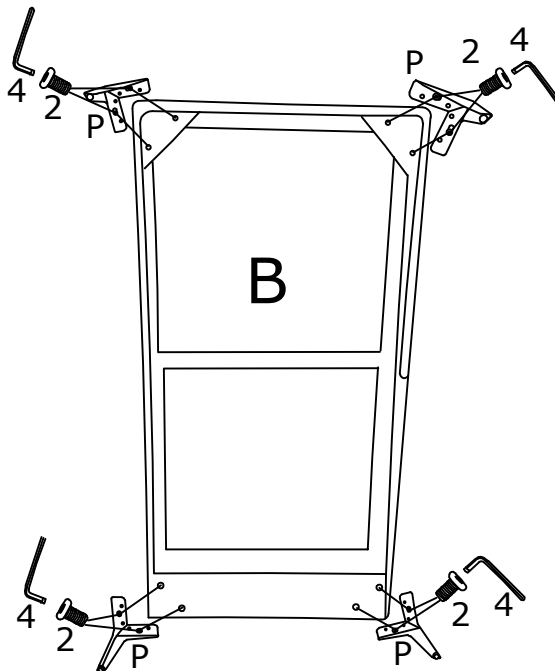


DIAGRAM 3 (Assemble the seat frame)

Connect the Love seat frame (Parts A) with the Chaise frame (Parts B).

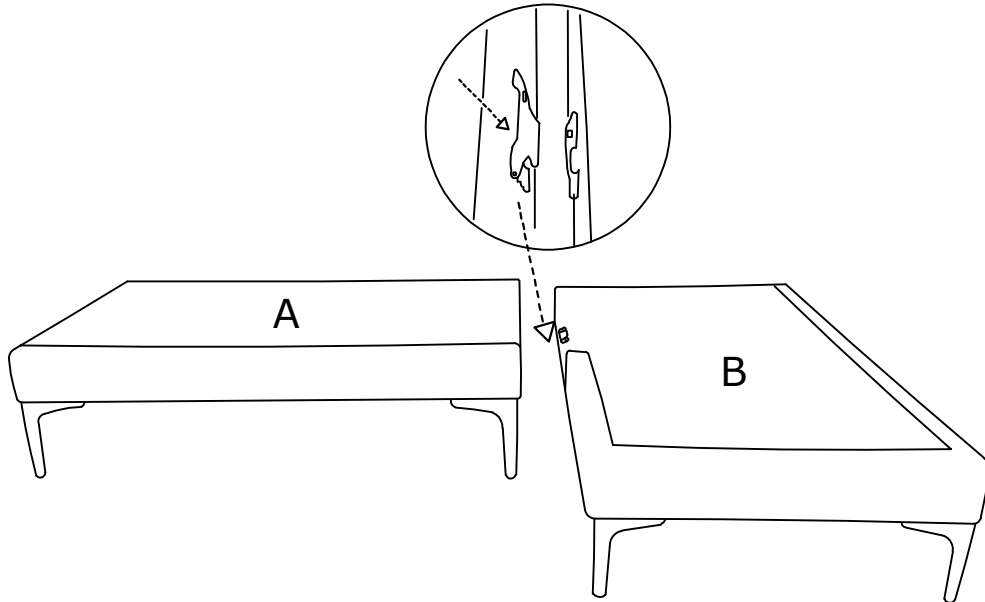




DIAGRAM 4 (Assemble the seat backrest)

Connect the Love seat backrest (Parts K) and Chair backrest (Parts L) with the Screws M8X60(Hardware 3) with the Washer(Hardware 1) by wrench (Hardware 4).

1		8PCS
3		8PCS

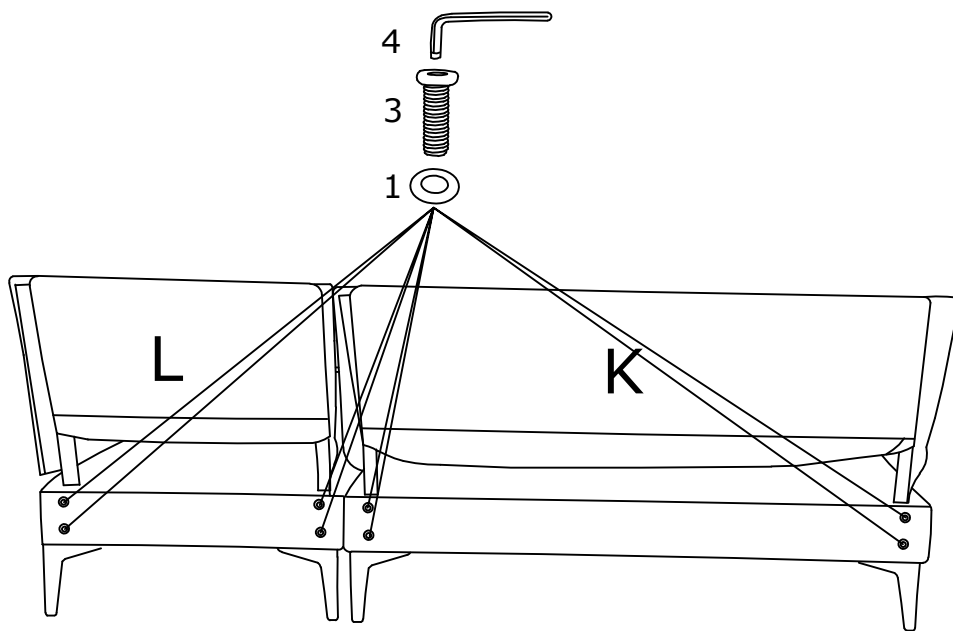


DIAGRAM 5(Removal of compression bags)

Remove the Seat cushion (left) (Parts E) the Middle seat cushion (Parts F) the Chaise cushion (Parts G). Please align the chain first and then pinch the zipper gently and close it smoothly.

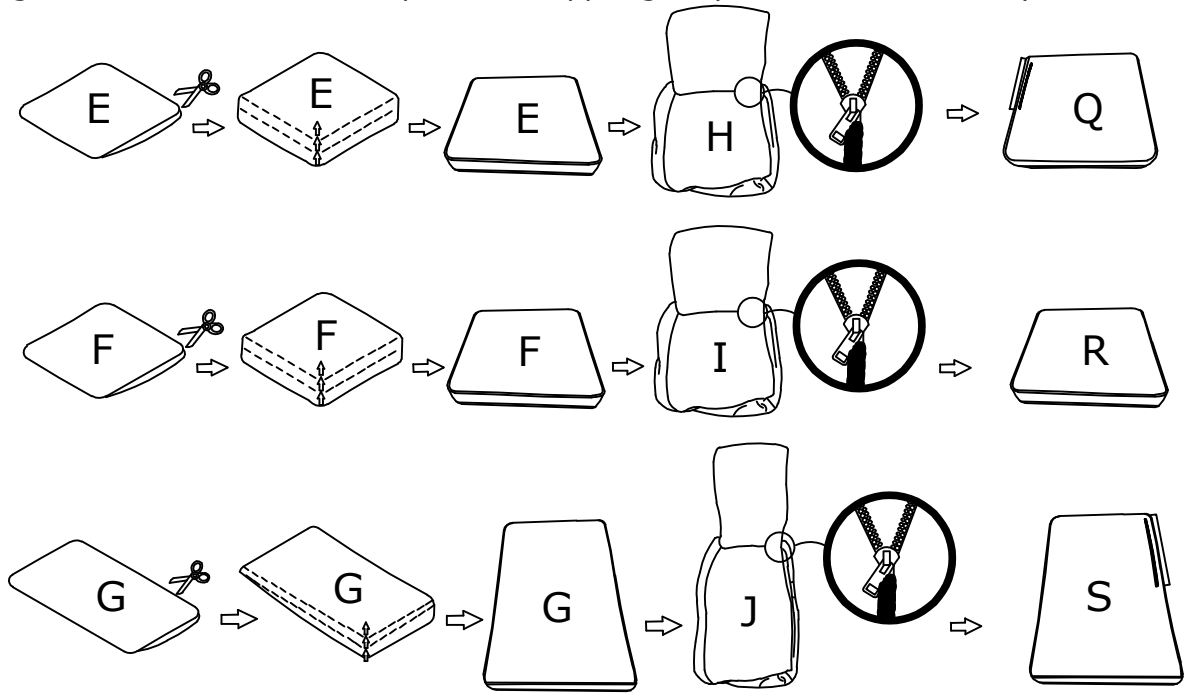


DIAGRAM 6(Place the Seat cushion on the sofa)

Put the Seat cushion (left) (Parts Q) the Middle seat cushion(Parts R) the Chaise cushion (Parts S) on the sofa.

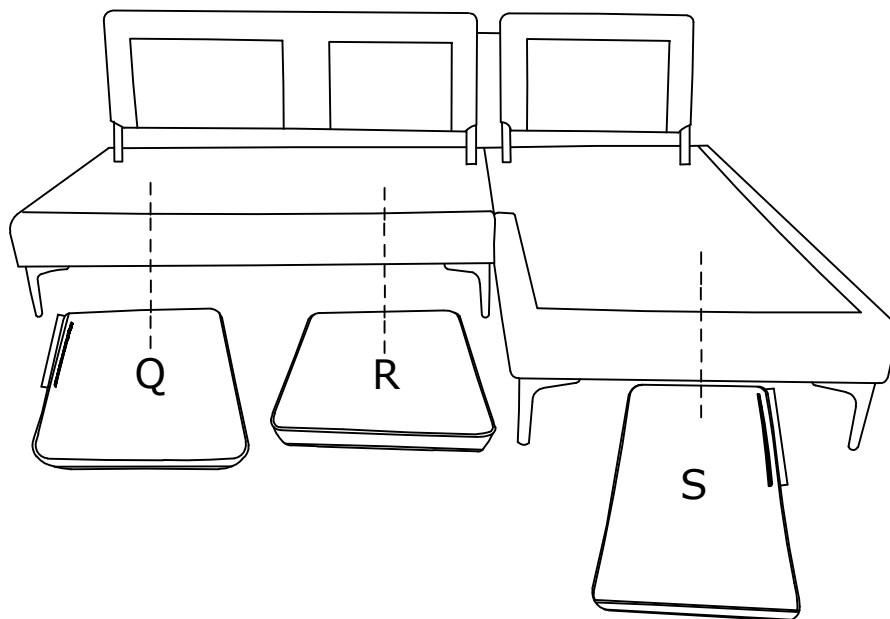


DIAGRAM 7(Assemble the Armrest)

Please align the chain first and then pinch the zipper gently and close it smoothly.

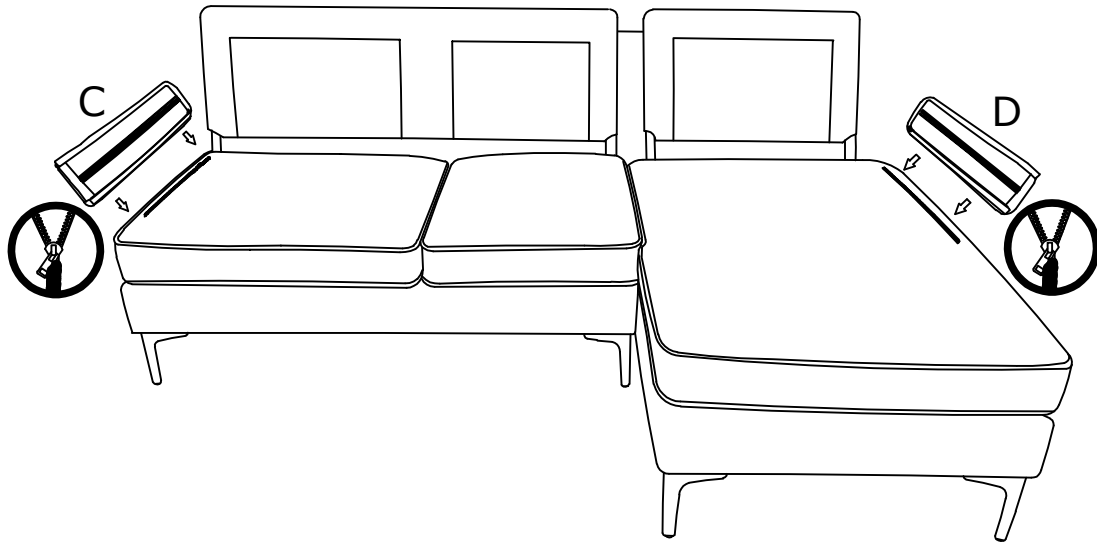
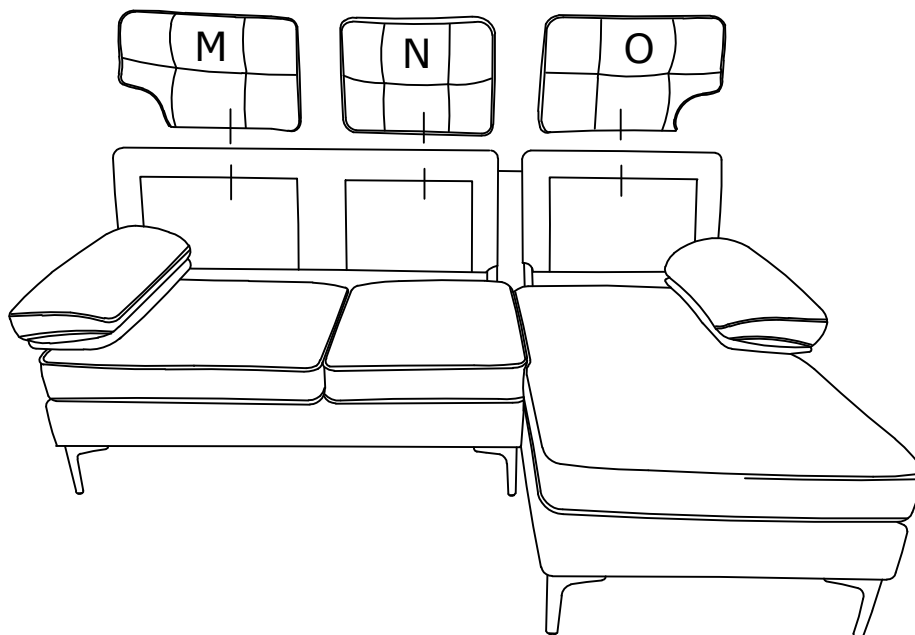


DIAGRAM 8(Place the Back cushion on the sofa)

Put the Back cushion (left) (Parts M) the Middle back cushion (Parts N) the Chair cushion (Parts O) on the sofa.



TIPS:

1. Please do not open the compress packaging until your sofa frame is completely assembled.
2. Compress back cushions and pillows need to be fully fulfilled within 72 hours for your perfect use.
3. Please keep children away from plastic bags or any small pieces of stuff.

