

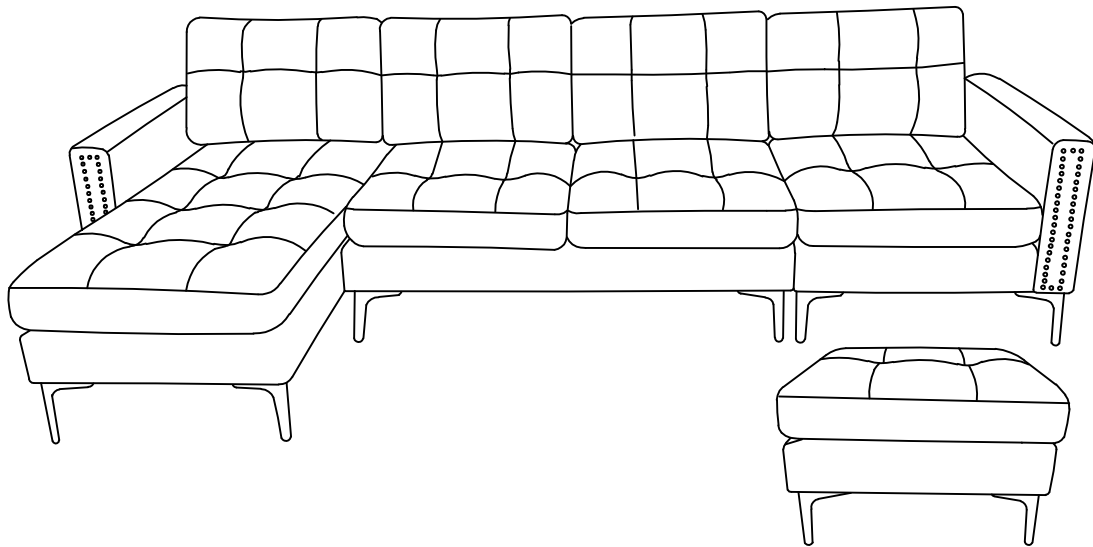
# **ASSEMBLY INSTRUCTION**

---

**WF306558    WF306559**  
**WF306560    WF306561**

Friendly Reminder:

- 1.This sofa is packed in 4 boxes. Please assemble it After all boxes are received.
- 2.As the cushions are all vacuum compressed,there will be some wrinkles. Please give your cushions up to 72 hours to reach its original size and the wrinkles will basically disappear.
- 3.Please do not open the compressed packags until your sofa frame is completely assembled.



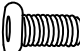





Return & Warranty policy:


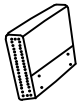
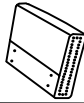
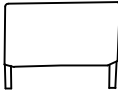



- We strive to offer the highest quality products,and we also try our best to satisfy each and every customer that orders from us with replacement parts or service as needed.
- If the item is damaged or defective, please take photos as evidence for replacements and refunds.
- Please do not return to store,contact the seller if you have any troubles with this product.

# ASSEMBLY INSTRUCTION

## HARDWARE


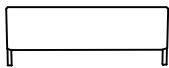


NO	DESCRIPTION	SKETCH	QTY
1	Washer		24
2	Screws 8X18		34
3	Screws 8X60		20
4	Screws 8X80		2
5	Butterfly Nut		2
6	Wrench		1

## PARTS LIST WF306558

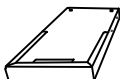
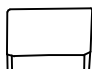


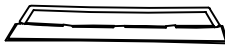
NO	DESCRIPTION	SKETCH	QTY
A	Chair frame		1
E	Armrest (left)		1
F	Armrest (right)		1
G	Chair backrest		1
J	Cushion		1
M	Leg		17
L	Back cushion		1

# ASSEMBLY INSTRUCTION



## PARTS LIST WF306559

NO	DESCRIPTION	SKETCH	QTY
B	Love seat frame		1
H	Love seat backrest		1
J	Cushion		2
L	Back cushion		2

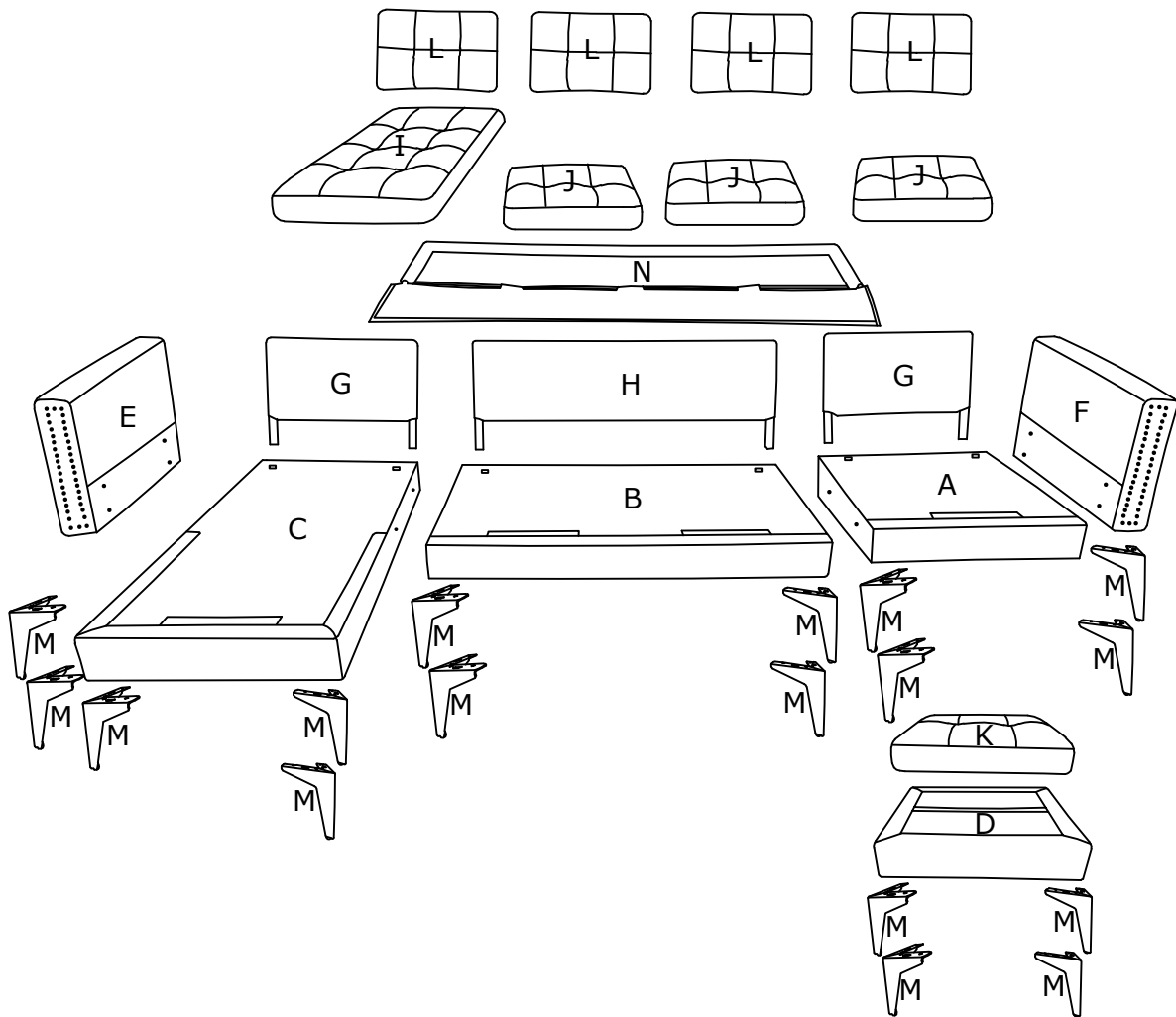
## PARTS LIST WF306560

NO	DESCRIPTION	SKETCH	QTY
C	Chaise frame		1
G	Chair backrest		1
I	Chaise cushion		1
L	Back cushion		1
N	Back cover		1

# ASSEMBLY INSTRUCTION

<b>PARTS LIST WF306561</b>			
NO	DESCRIPTION	SKETCH	QTY
D	Seat frame		1
K	Seat cushion		1

All parts and hardwares.



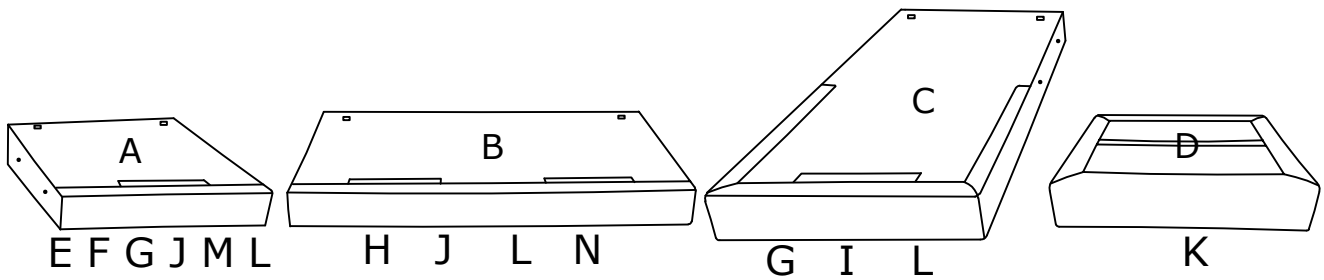
**DIAGRAM 1 (Take all parts)**

Take the Armrest (left) (Parts E) Armrest (right) (Parts F) Chair backrest (Parts G) Cushion (Parts J) Leg (Parts M) Back cushion (Parts L) out of the Chair frame (Parts A).

Take the Love seat backrest (Parts H) Cushion (Parts J) Back cushion (Parts L) Back cover (Parts N) out of the Love seat frame (Parts B).

Take the Chair backrest (Parts G) Chaise cushion (Parts I) Back cushion (Parts L) out of the Chaise frame (Parts C).





Take the Seat cushion (Parts K) out of the Seat frame (Parts D).

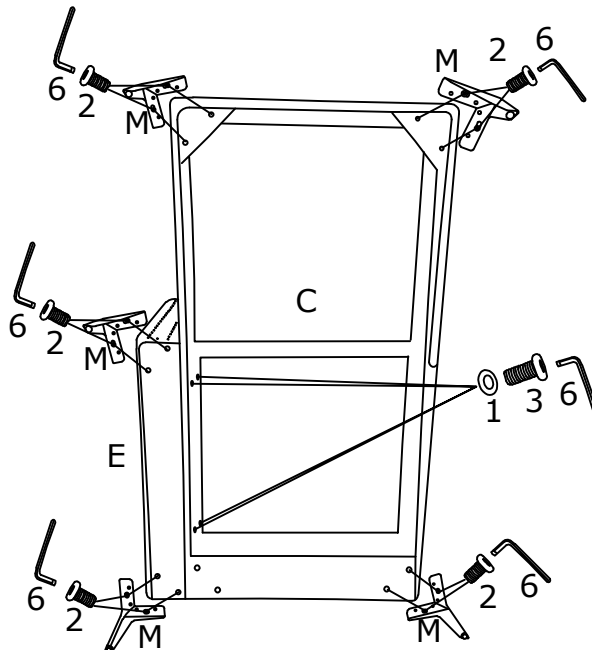


**DIAGRAM 2 ( Assemble the Legs and Armrest (left) )**

Connect the Armrest (left) (Parts E) with the Screws M8X18(Hardware 2) and the Washer (Hardware 1) by Wrench(Hardware 6).



Connect the Legs (Parts M) with the Screws M8X60(Hardware 3) and the Washer (Hardware 1) by Wrench(Hardware 6).

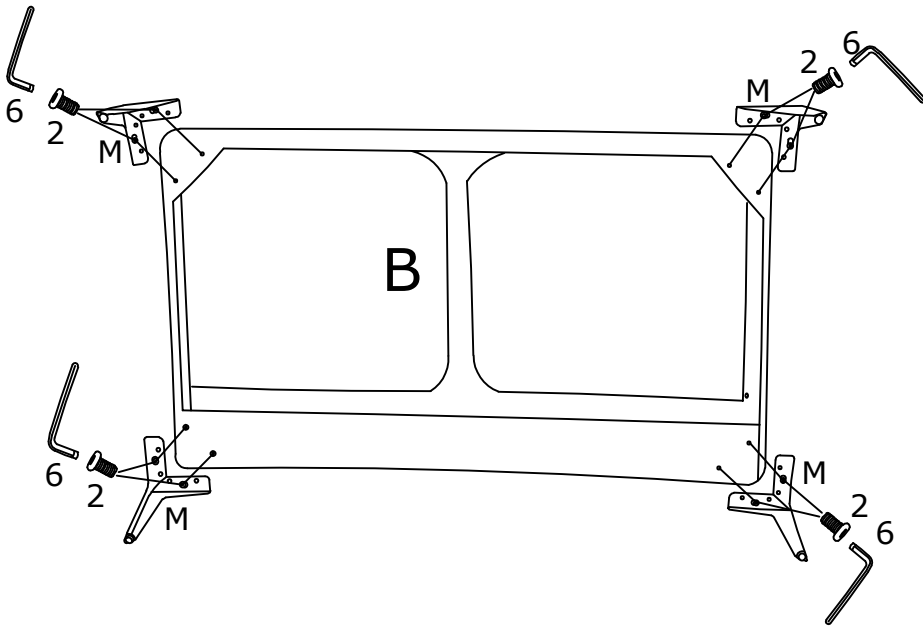
1		4PCS
2	 M8X18	10PCS
3	 M8X60	4PCS
M		5PCS



**DIAGRAM 3 ( Assemble the Legs )**

Connect the Legs (Parts M) with the Screws M8X18(Hardware 2) and the Washer (Hardware 1)by Wrench(Hardware 6).





2	 M8X18	8PCS
M		4PCS

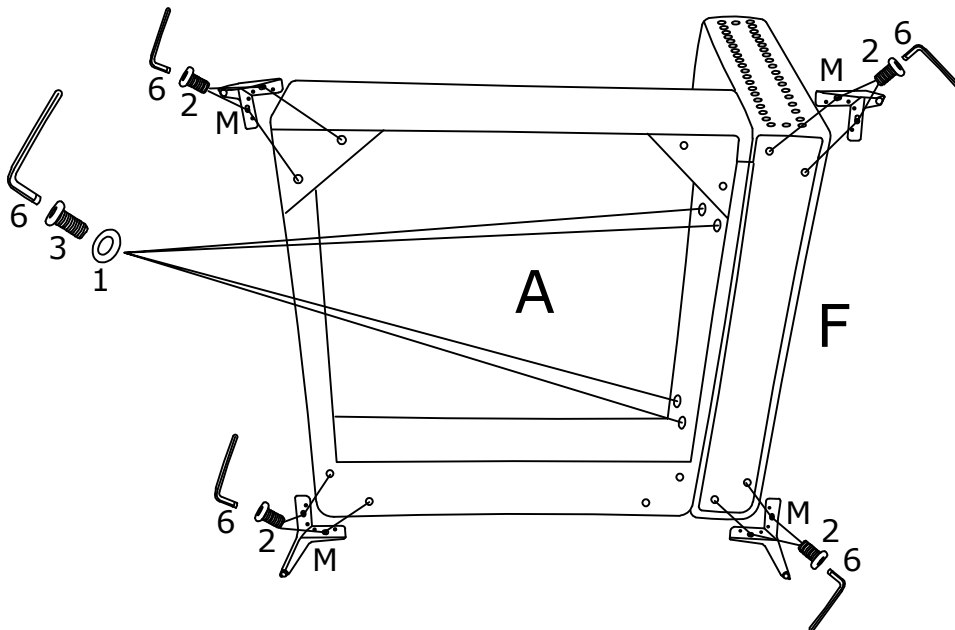


**DIAGRAM 4 ( Assemble the Legs and Armrest ( right ) )**

Connect the Armrest (right ) (Parts F) with the Screws M8X18(Hardware 2) and the Washer (Hardware 1)by Wrench(Hardware 6).



Connect the Legs (Parts M) with the Screws M8X60(Hardware 3) and the Washer (Hardware 1)by Wrench(Hardware 6).

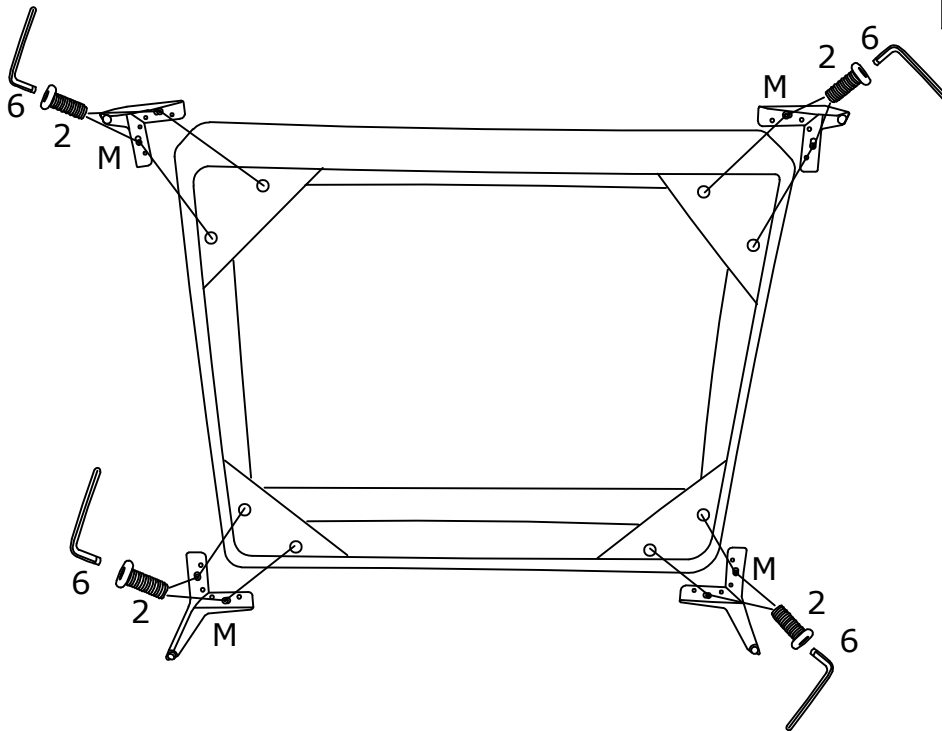
1		4PCS
2	 M8X18	8PCS
3	 M8X60	4PCS
M		4PCS



**DIAGRAM 5( Assemble the Legs )**


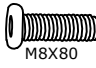

Connect the Legs (Parts M) with the Screws M8X18(Hardware 2) and the Washer (Hardware 1)by Wrench(Hardware 6).

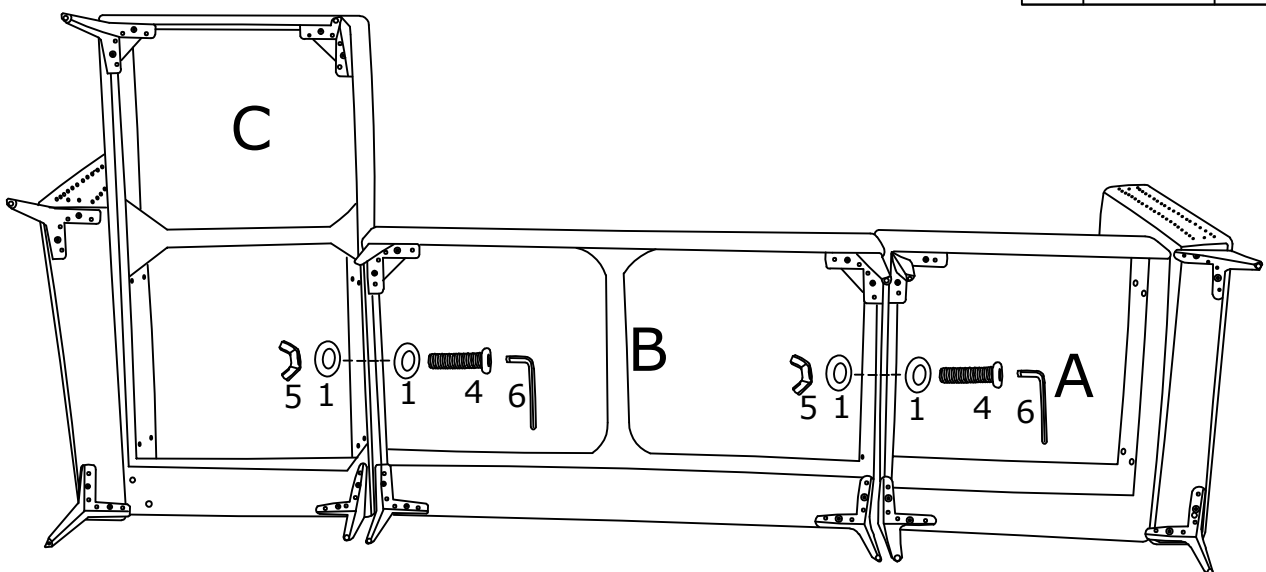
2	 M8X18	8PCS
M		4PCS



**DIAGRAM 6( Assemble the Seat frame )**

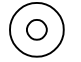

Connect the Chair frame (Parts A) with the Love seat frame (Parts B) ; with the Chaise frame (Parts C)tighten the Screws M8X80(Hardware 4) with the Butterfly nuts (Hardware 5)and Washer(Hardware 1) by Wrench(Hardware 6).

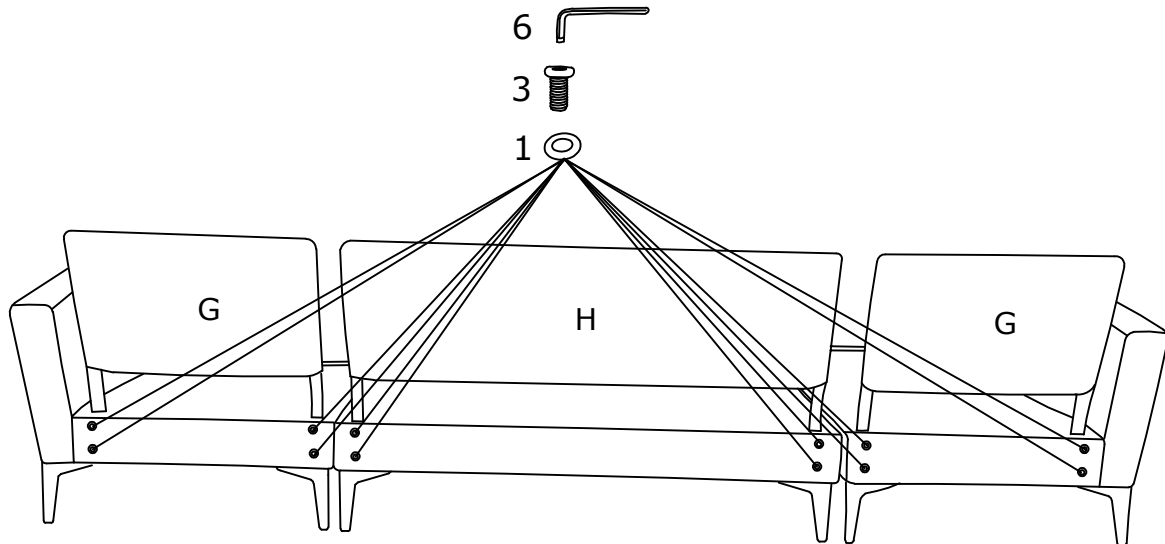
1		4PCS
4	 M8X80	2PCS
5		2PCS



**DIAGRAM 7( Assemble the Back frame )**

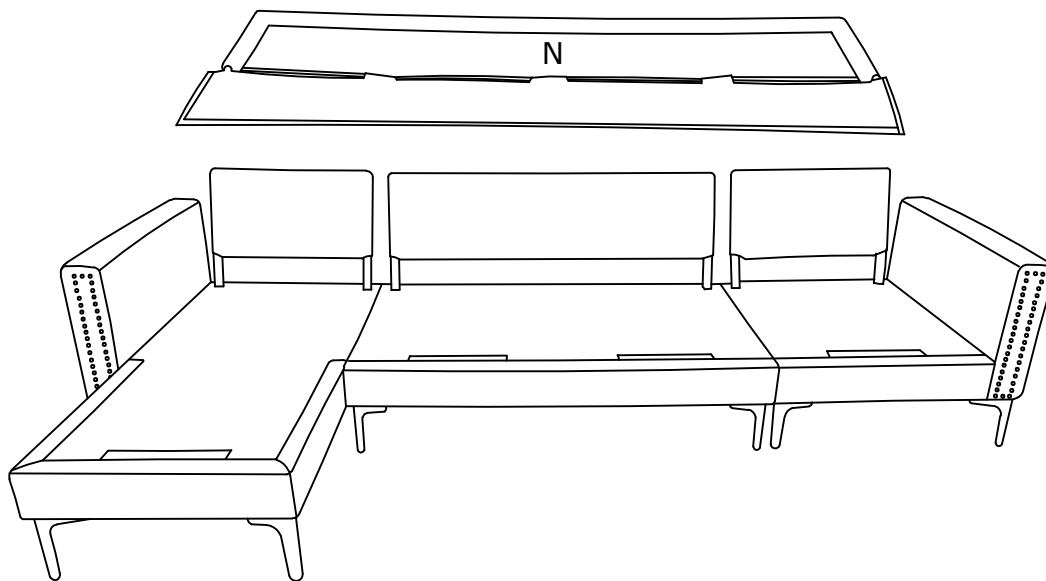
Connect the Chair backrest (Parts G) and Love seat backrest (Parts H) with the Screws M8X60(Hardware 3) with the Washer(Hardware 1) by wrench (Hardware 6).

1		12PCS
3	 M8X60	12PCS



**DIAGRAM 8( Place the Back cover on the sofa)**

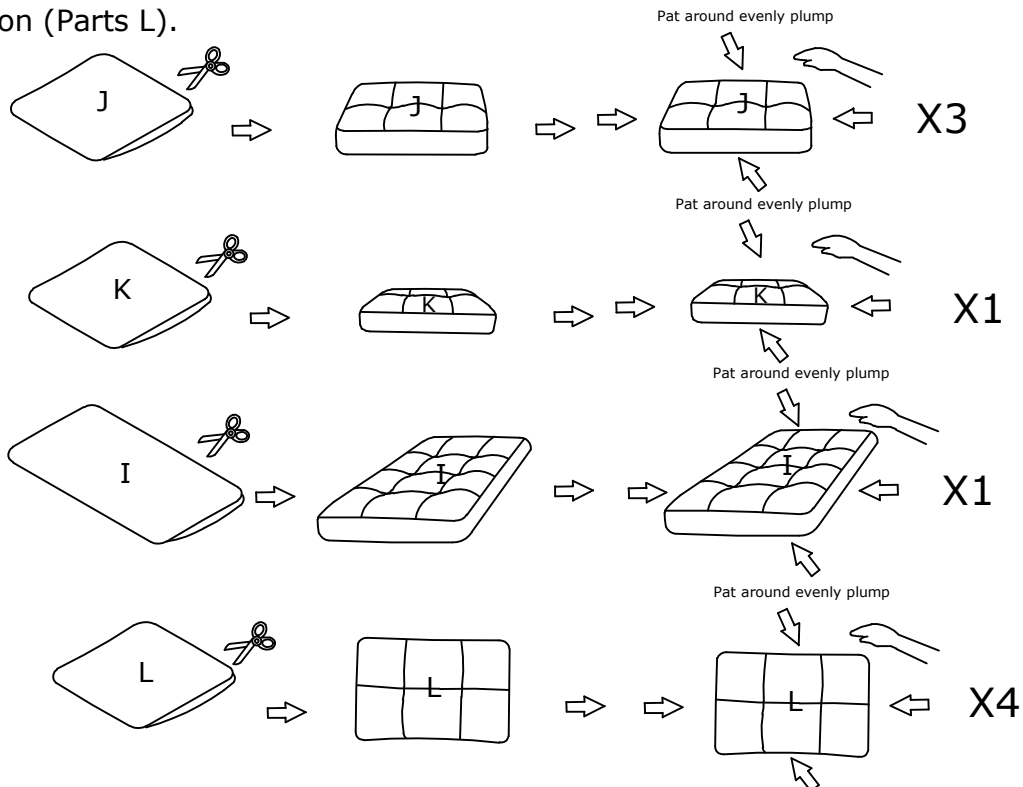
Put the Back cover (Parts N).





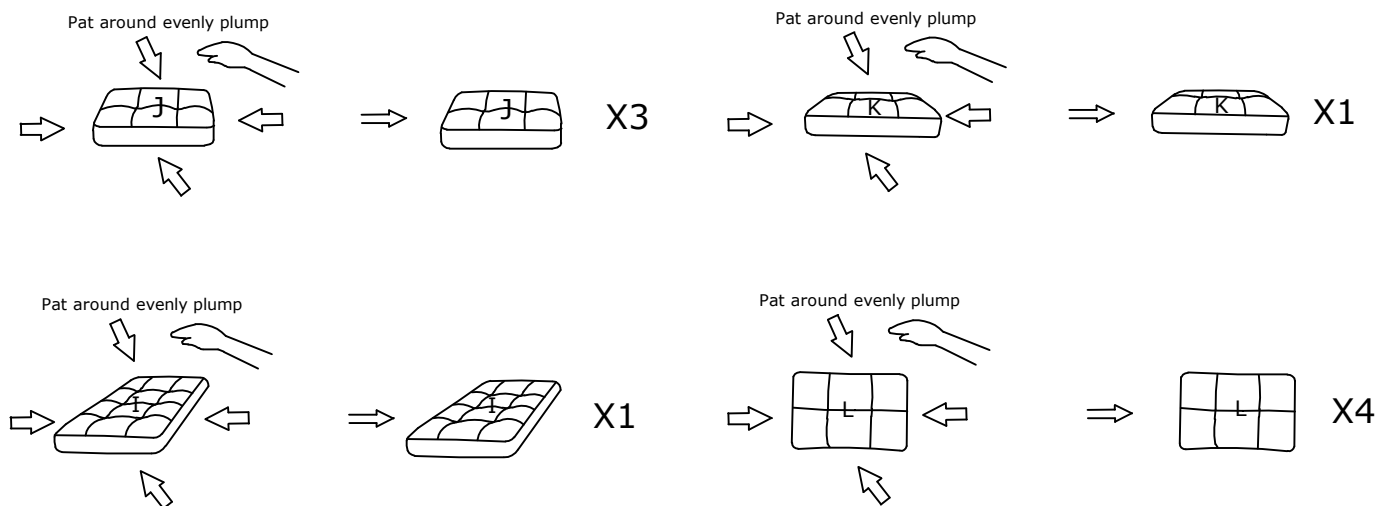
## DIAGRAM 9 ( Removal of compression bags )

Remove the Cushion (Parts J) the Seat cushion(Parts K) the Chaise cushion(Parts I) the Back cushion (Parts L).



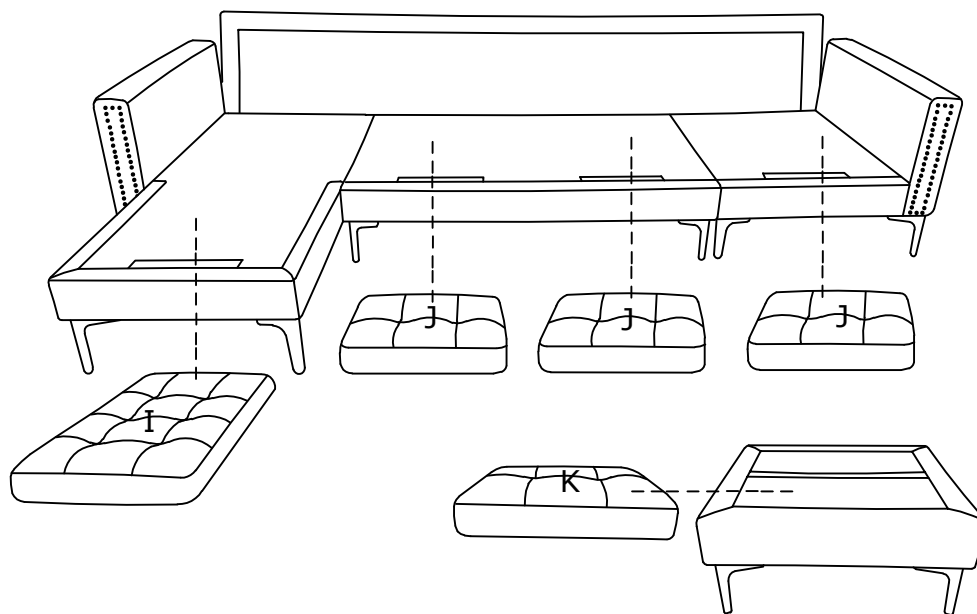
### TIPS:

1. Please do not open the compressed packages until your sofa frame is completely assembled.
2. Compressed back cushions and pillows need to be fully fulfilled within 72 hours for your perfect use.
3. Please keep children away from plastic bags or any small pieces of stuff.



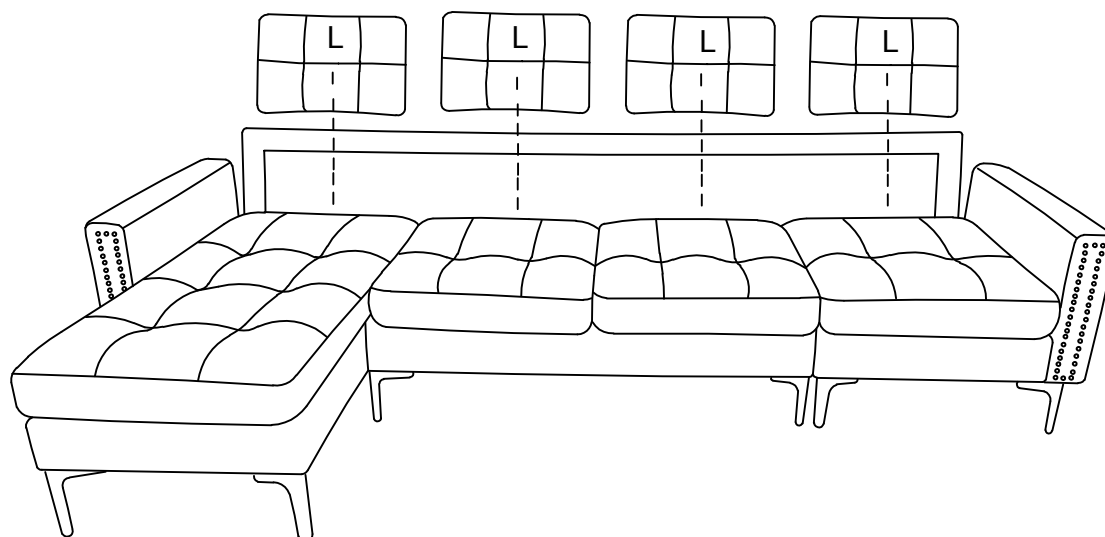
**DIAGRAM 10** (Place the Seat cushion on the sofa)

Put the Cushion (Parts J) the Seat cushion(Parts K) the Chaise cushion(Parts I) on the sofa.



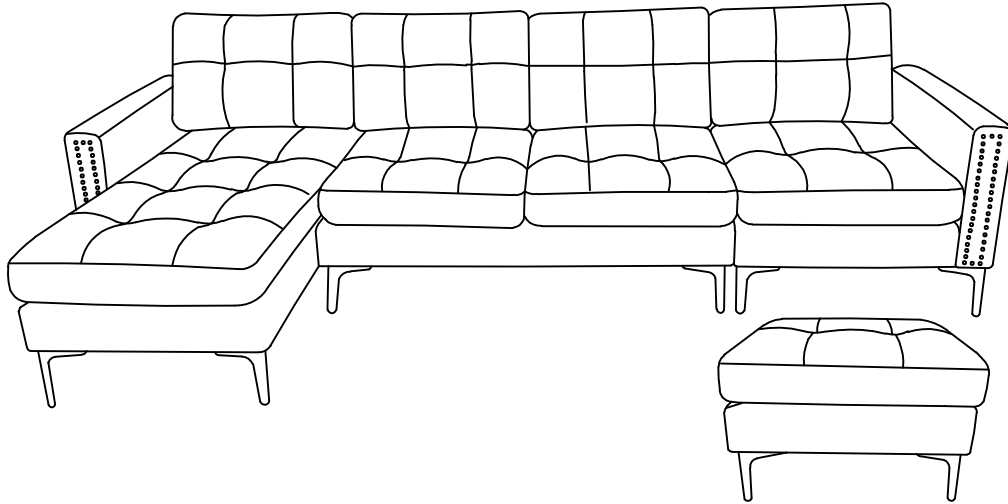
**DIAGRAM 11** (Place the Back cushion on the sofa)

Put the Back cushion (Parts L).



**TIPS:**

1. Please do not open the compress packaging until your sofa frame is completely assembled.
2. Compress back cushions and pillows need to be fully fulfilled within 72 hours for your perfect use.
3. Please keep children away from plastic bags or any small pieces of stuff.



**TIPS:**

1. Please do not open the compress packaging until your sofa frame is completely assembled.
2. Compress back cushions and pillows need to be fully fulfilled within 72 hours for your perfect use.
3. Please keep children away from plastic bags or any small pieces of stuff.

