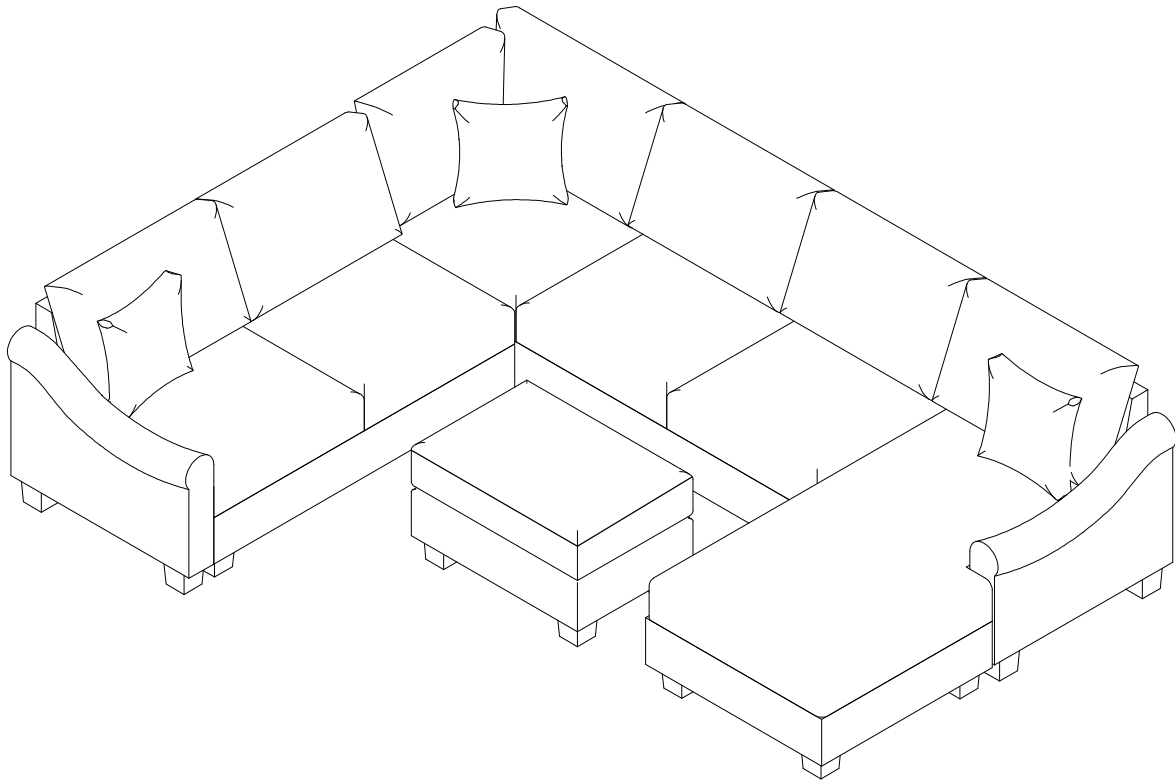
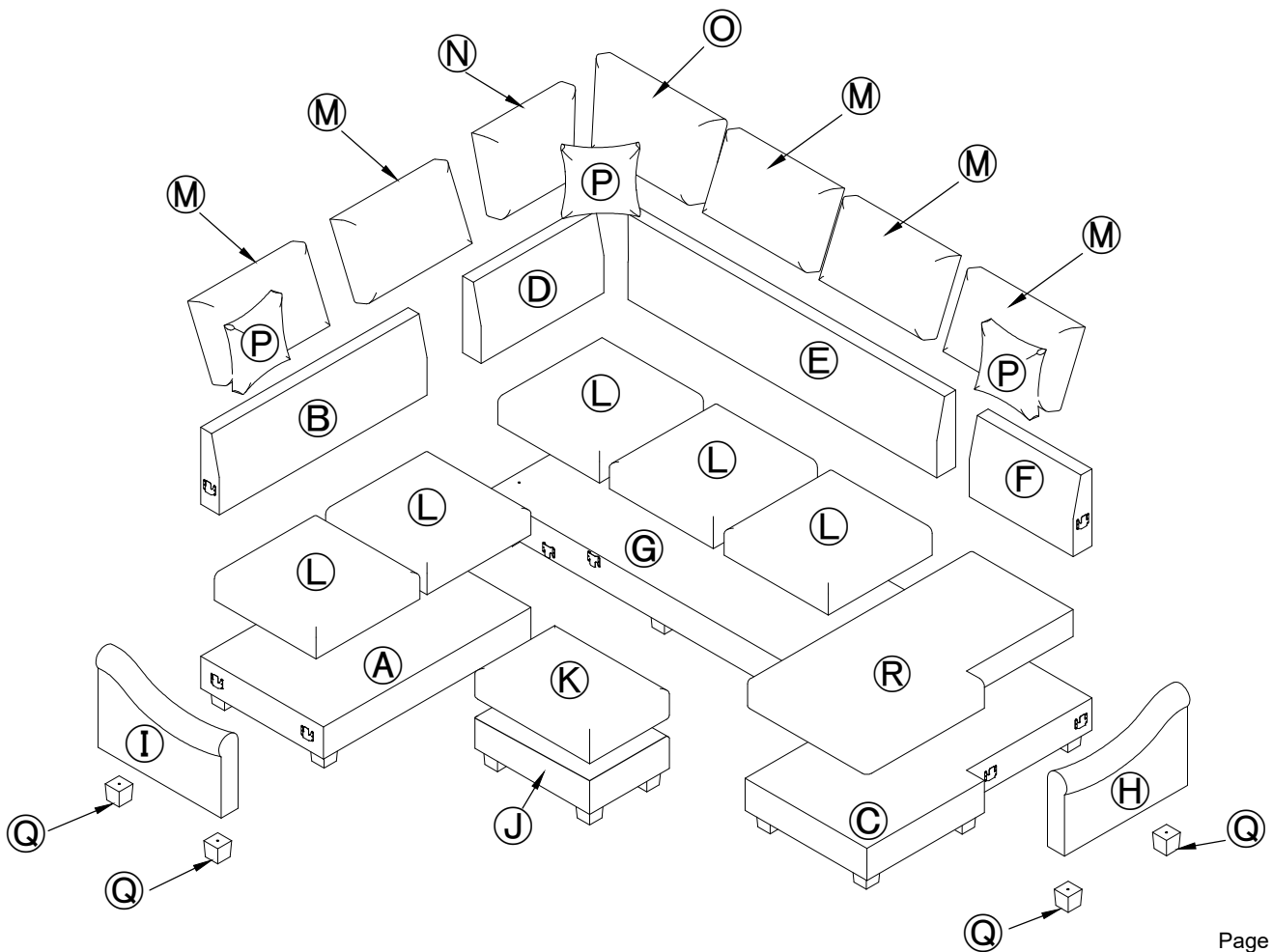


ASSEMBLY INSTRUCTION

ITEM NO.: WF301597/ WF301596 / WF301595 / WF301594

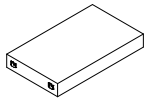


PARTS



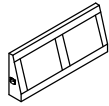
PARTS LIST

Ⓐ



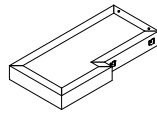
Loveseat Body
X 1PC

Ⓑ



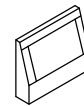
Loveseat Back Frame
X 1PC

Ⓒ



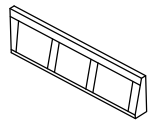
Chair Body
X 1PC

Ⓓ



Short Back Frame
X 1PC

Ⓔ



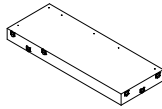
Long Back Frame
X 1PC

Ⓕ



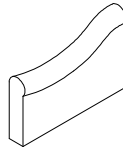
Short Back Frame
X 1PC

Ⓖ



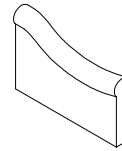
Sofa Body
X 1PC

Ⓗ



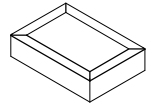
Right Arm
X 1PC

Ⓘ



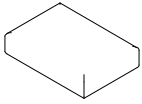
Left Arm
X 1PC

Ⓙ



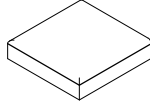
Ottoman Body
X 1PC

Ⓚ



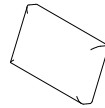
Ottoman Seat Cushion
X 1PC

Ⓛ



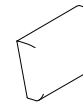
Seat Cushion
X 5PCS

Ⓜ



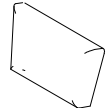
Back Cushion
X 5PCS

Ⓝ



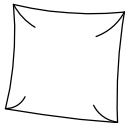
Back Cushion
X 1PCS

Ⓞ



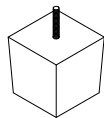
Back Cushion
X 1PCS

Ⓟ



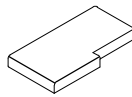
Pillow
X 3PCS

Ⓠ



Legs
X 22PCS

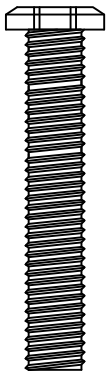
Ⓡ



Seat Cushion
X 1PC

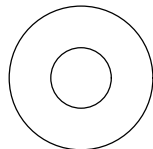
HARWARE

①



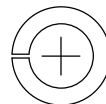
Bolt
5/16" x 2"
X11

②



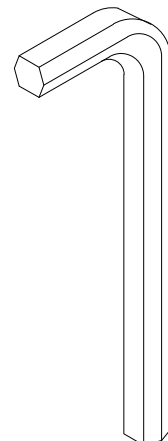
Washer
5/16" x 19mm
X11

③



Spring Washer
X11

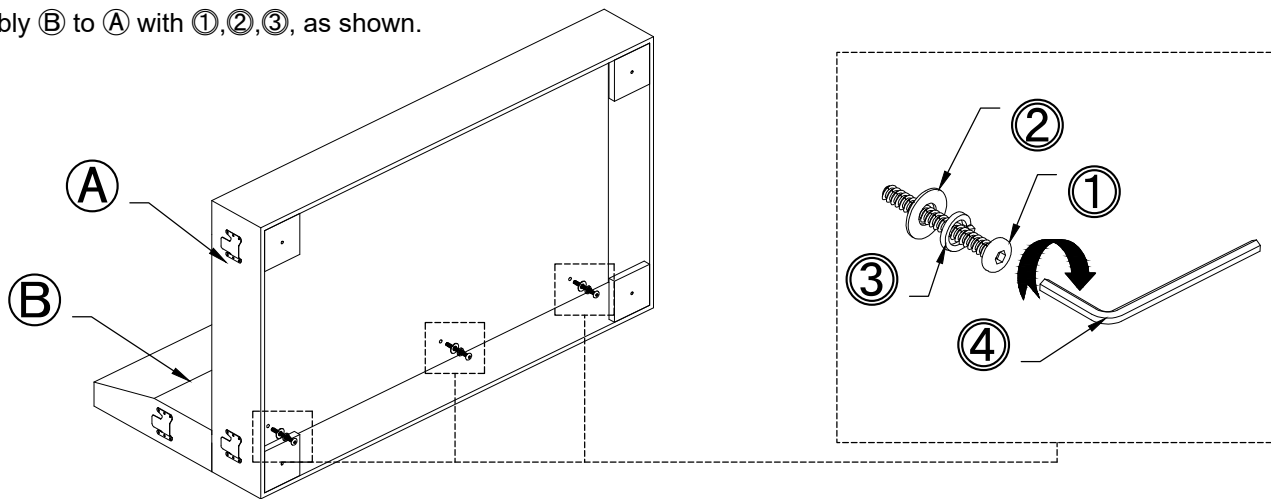
④



Allen Key 4mm
X1

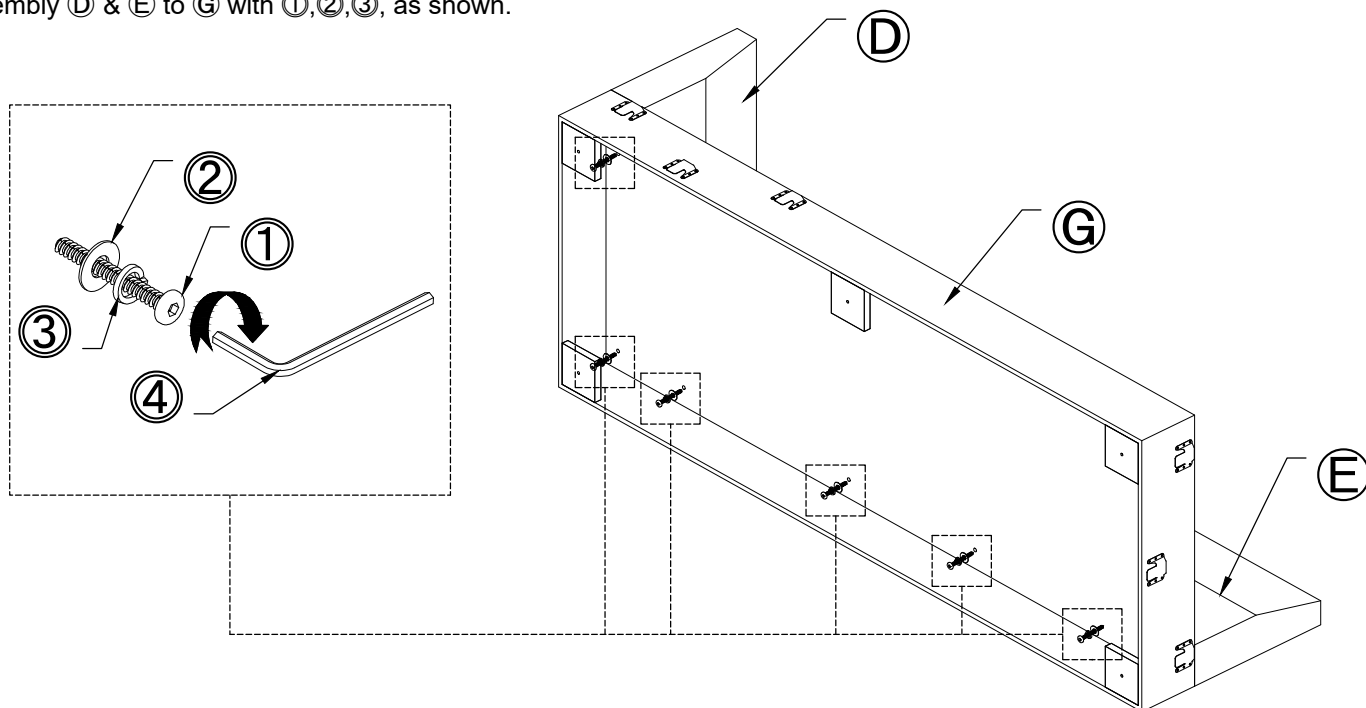
STEP 1:

Assembly **B** to **A** with ①,②,③, as shown.



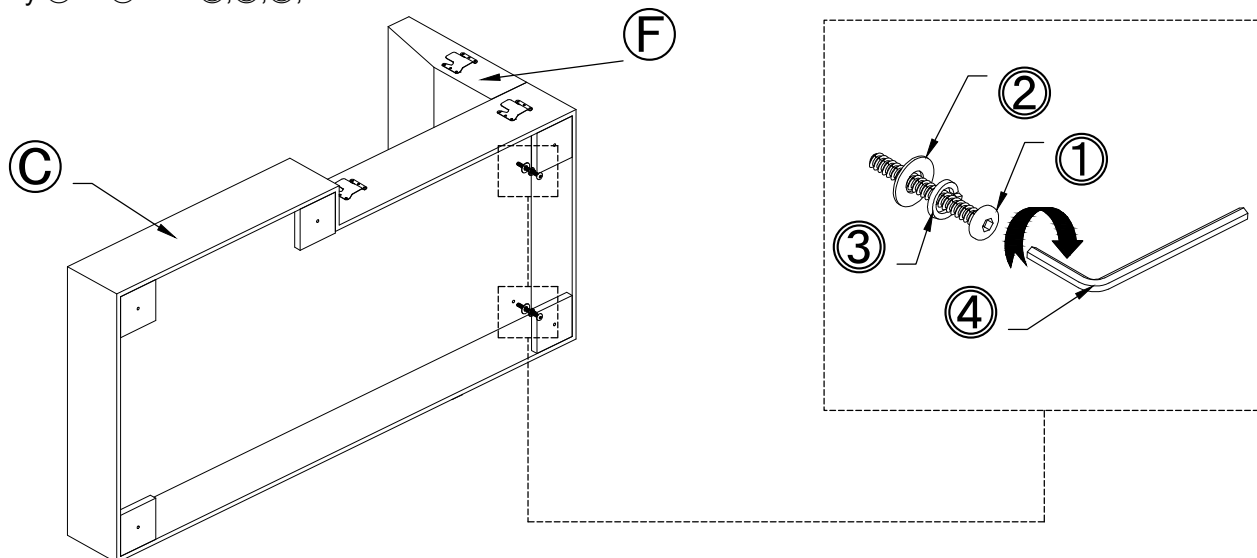
STEP 2:

Assembly **D** & **E** to **G** with ①,②,③, as shown.



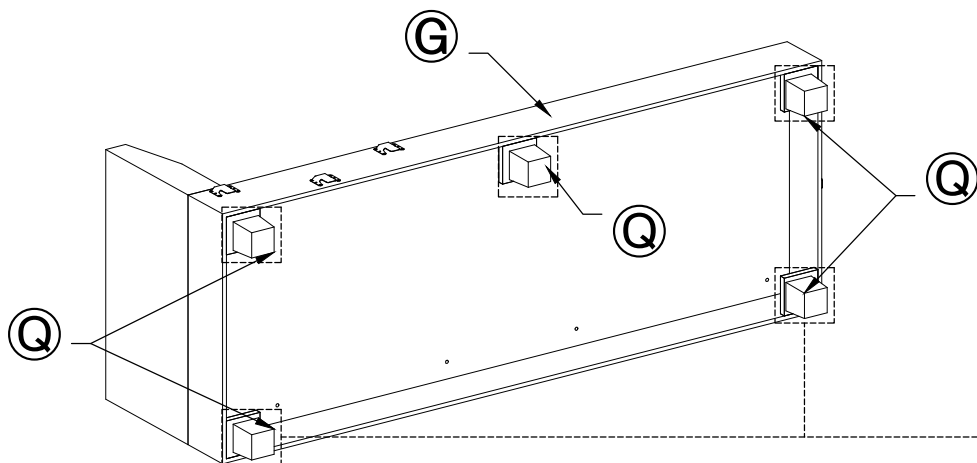
STEP 3:

Assembly **F** to **C** with ①,②,③, as shown.



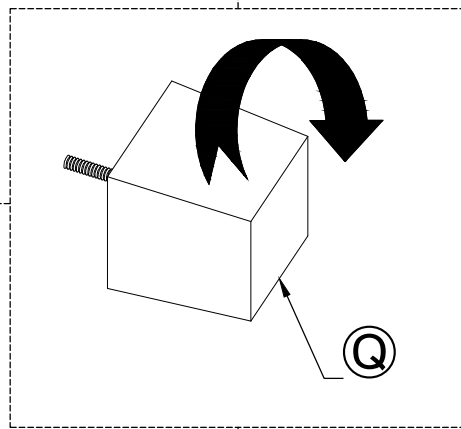
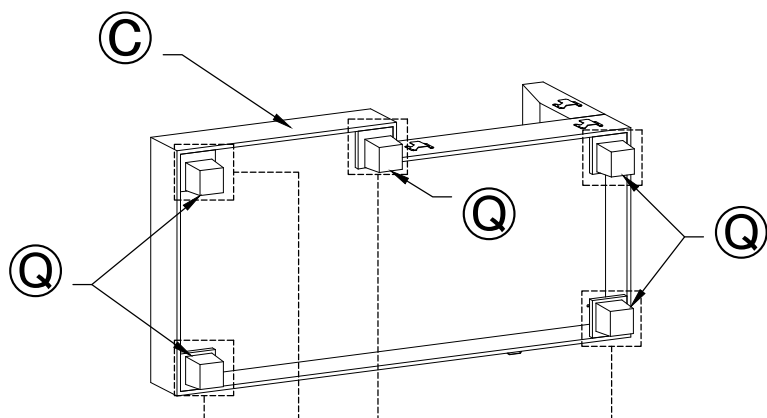
STEP 4:

Assembly ④ x5 to ⑥ x1 turn the foot clockwise , as shown.



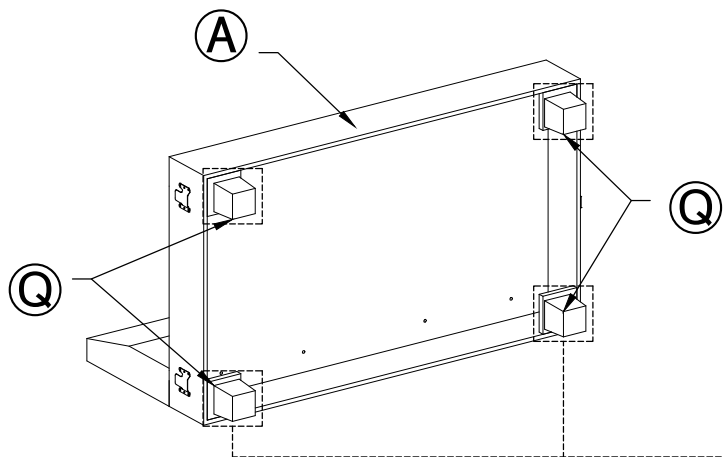
STEP 5:

Assembly ④ x5 to ③ x1 turn the foot clockwise , as shown.



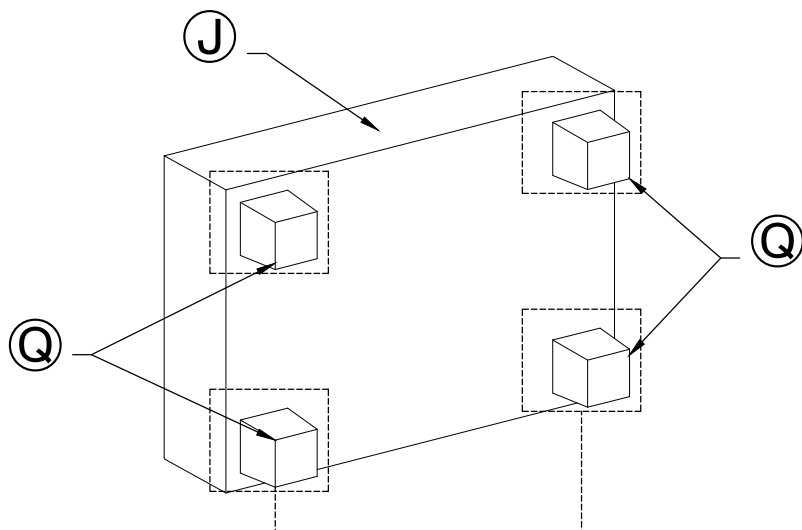
STEP 6:

Assembly ④ x4 to ① x1 turn the foot clockwise , as shown.



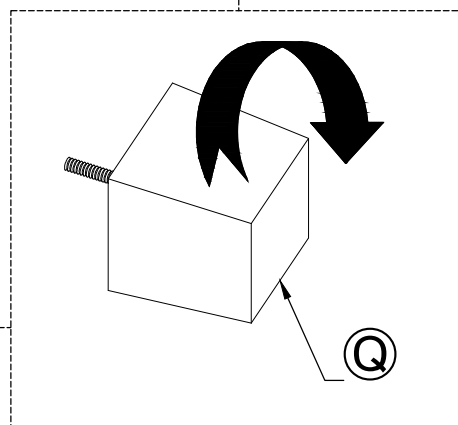
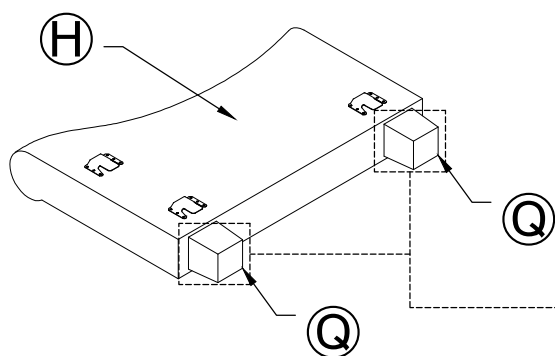
STEP 7:

Assembly \textcircled{Q} x 4 to \textcircled{J} x 1, turn the foot clockwise, as shown.



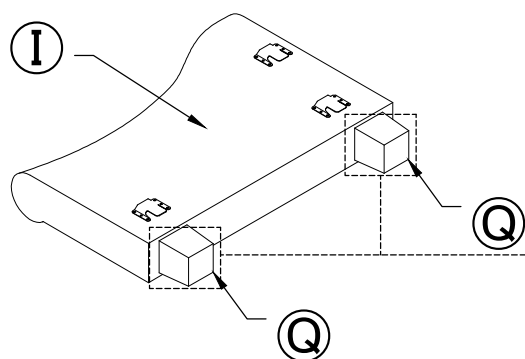
STEP 8:

Assembly \textcircled{Q} x 2 to \textcircled{H} x 1, turn the foot clockwise, as shown.



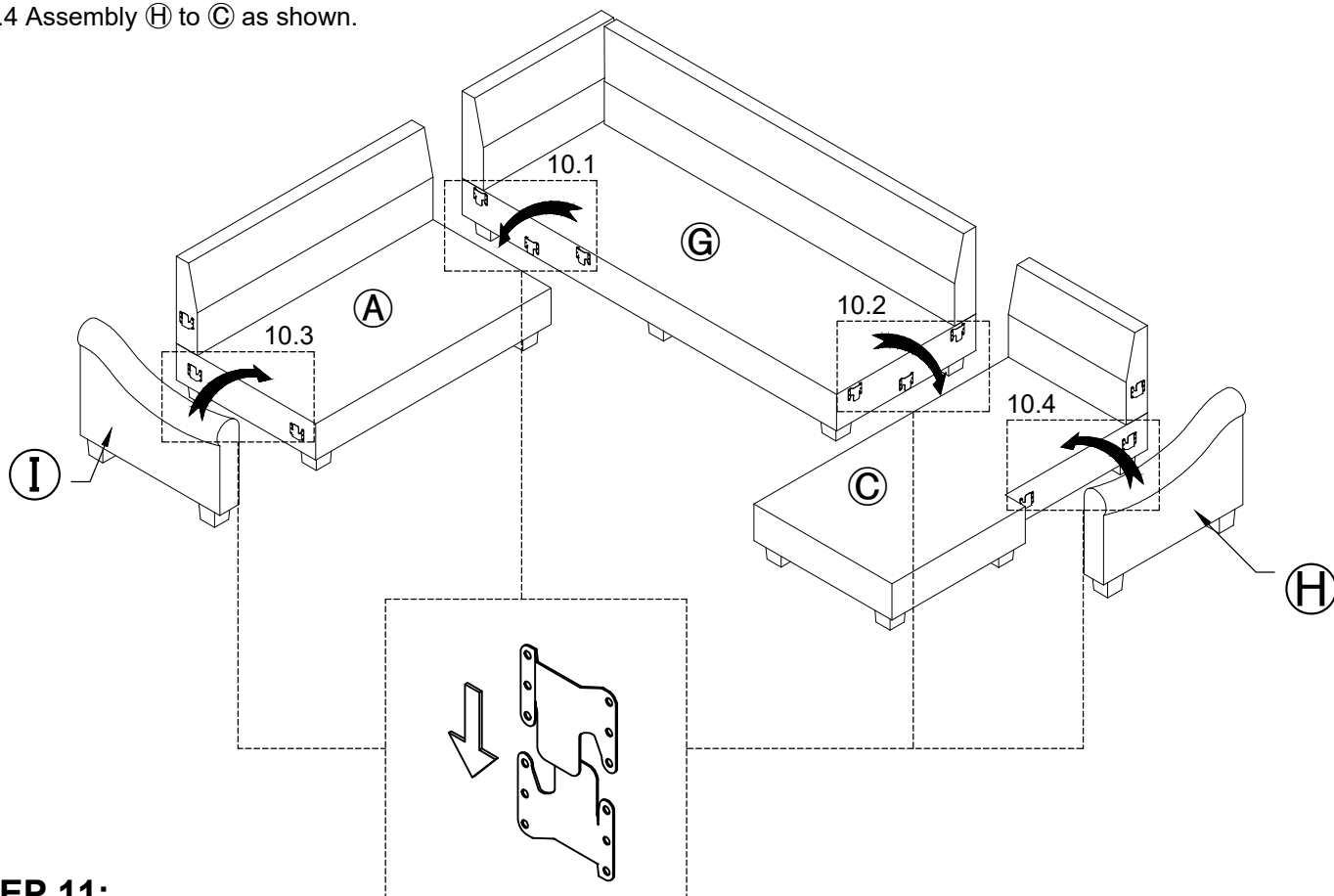
STEP 9:

Assembly \textcircled{Q} x 2 to \textcircled{I} x 1, turn the foot clockwise, as shown.



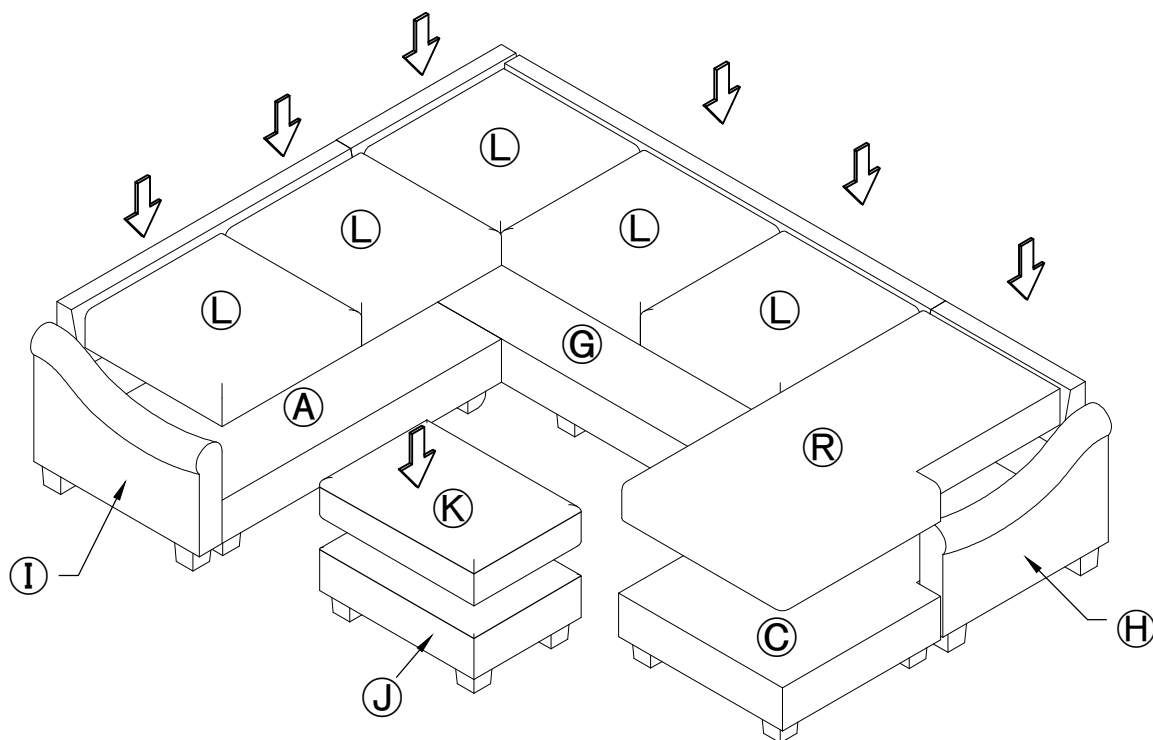
STEP 10:

- 10.1 Assembly ⑥ to ①, as shown.
- 10.2 Assembly ⑥ to ③, as shown.
- 10.3 Assembly ① to ①, as shown.
- 10.4 Assembly ④ to ③ as shown.



STEP 11:

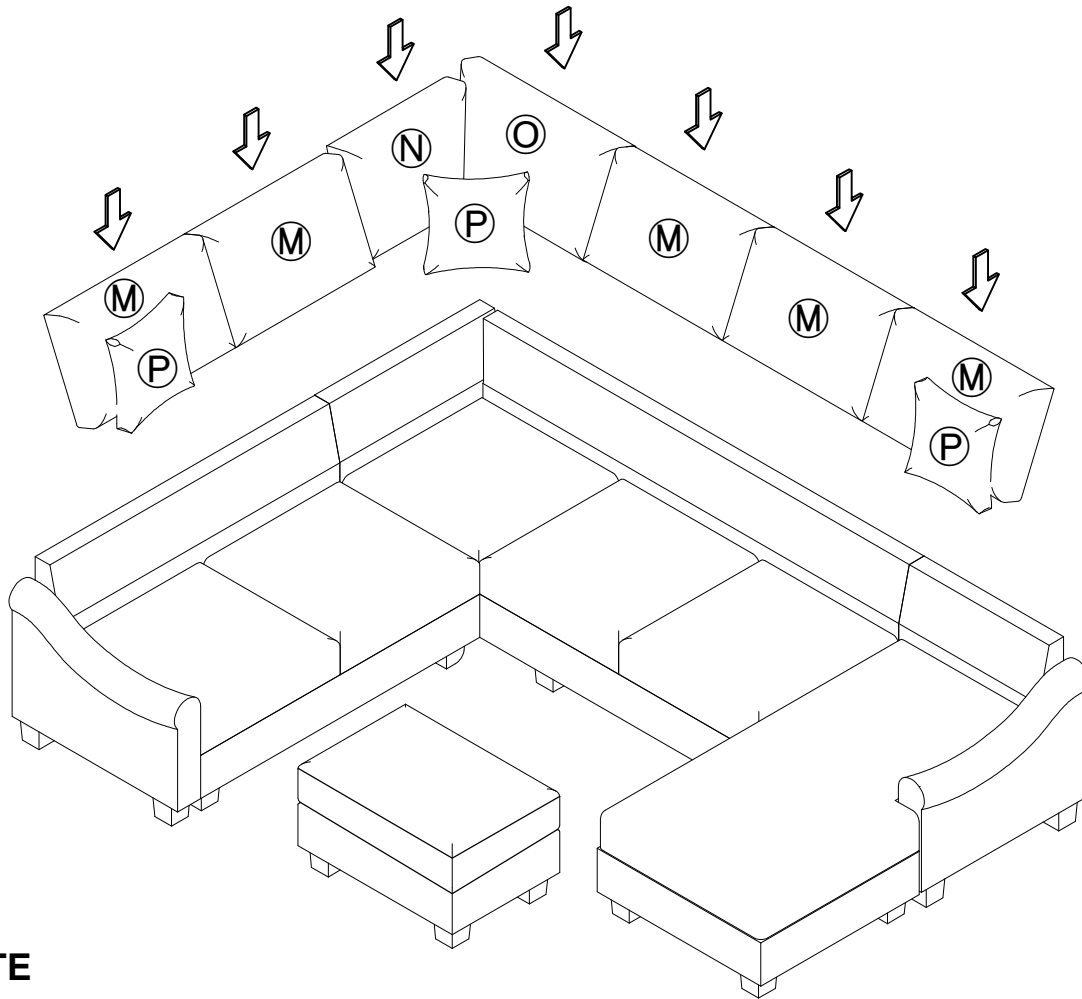
- 11.1 Put seat cushion L on seat A & G, as shown.
- 11.2 Put seat cushion R on seat C, as shown.
- 11.3 Put seat cushion K on seat J, as shown.



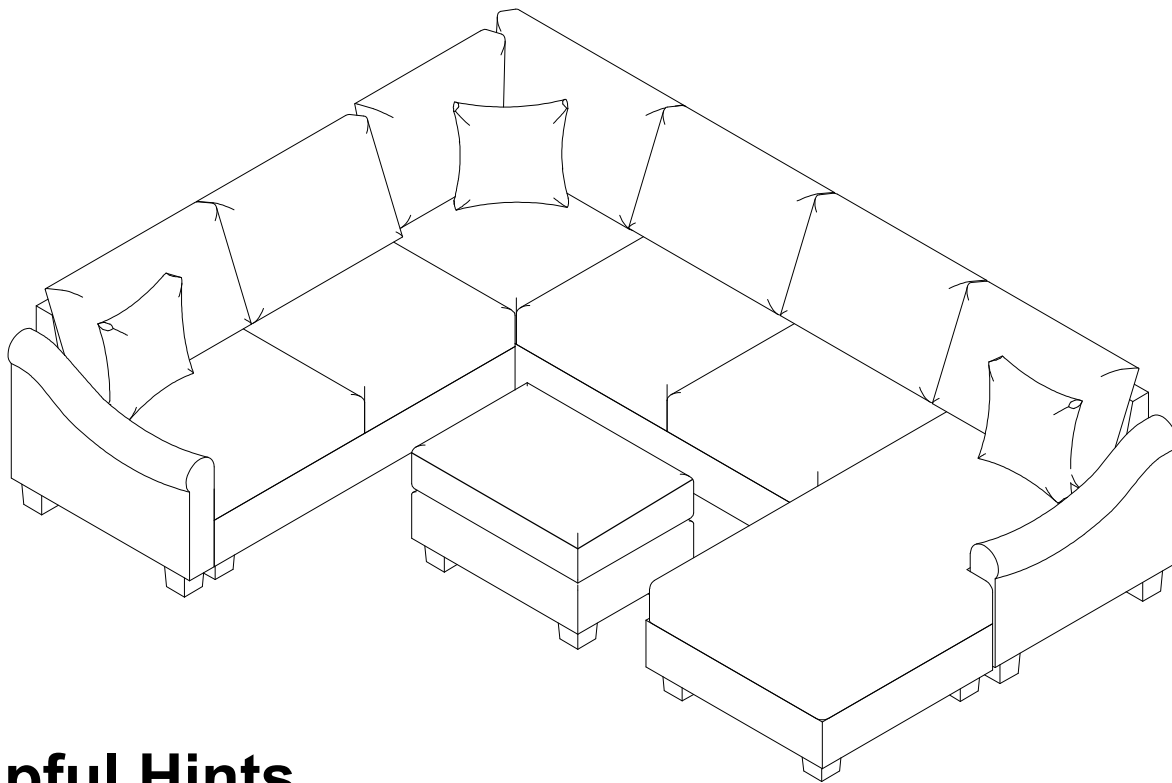
STEP 12:

12.1 Put the back cushion (M),(N),(O) on the sofa seat frame , as shown.

12.2 Put pillow (P) on the sofa frame , as shown.



COMPLETE



Helpful Hints

- Move your new furniture carefully, with two people lifting and carrying the unit to its new location.
- Your furniture can be disassembled and reassembled to move.
- Clean the product with a soft damp cloth. DO NOT use harsh chemicals or abrasive cleaners.