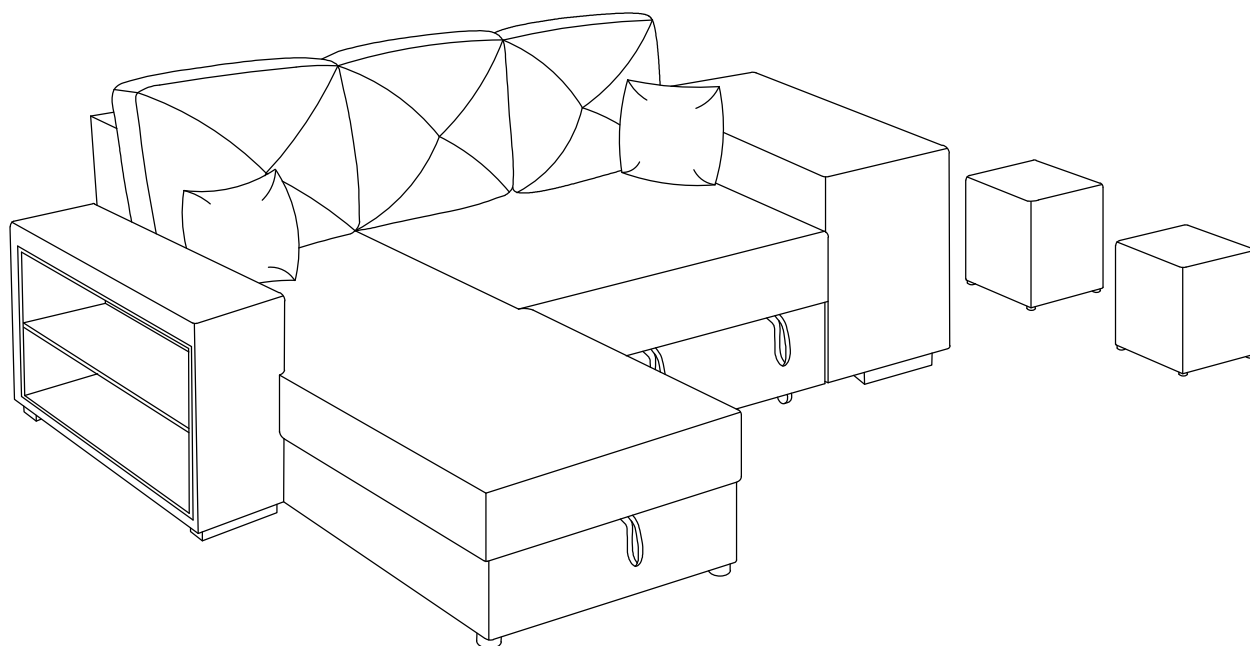
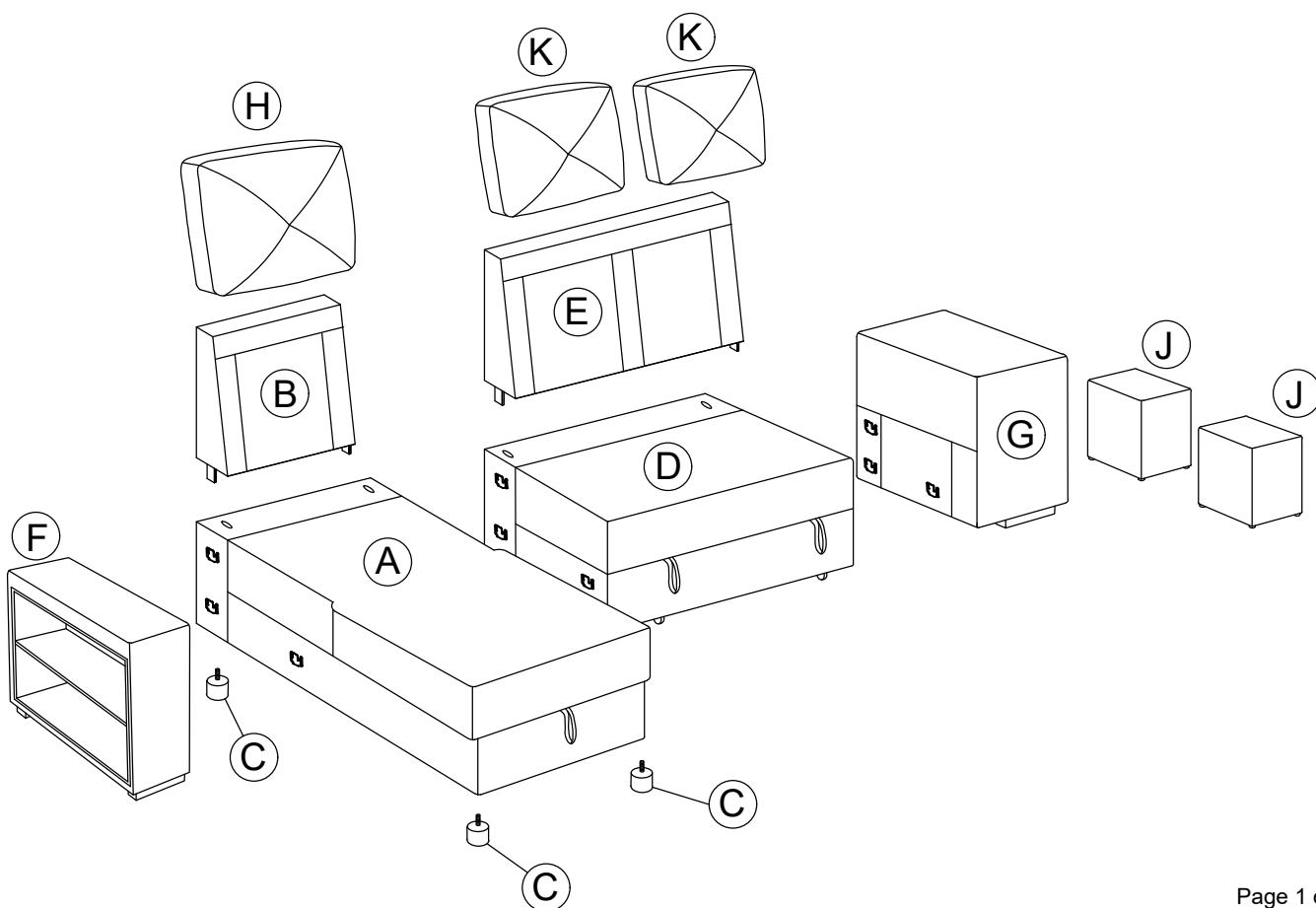


# ASSEMBLY INSTRUCTION

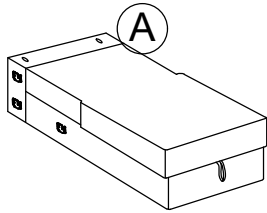
ITEM NO.: WF302946-WF302947-WF302948



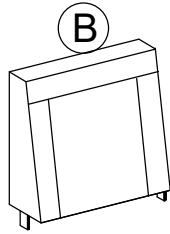
## PARTS



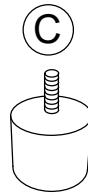
# PARTS LIST



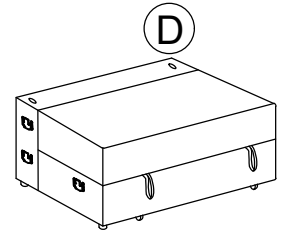
Loveseat Body  
X 1PC



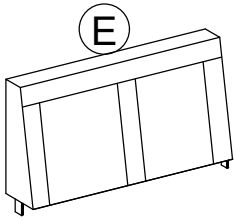
Loveseat Back Frame  
X 1PC



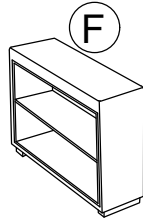
Loveseat Leg X 4PCS



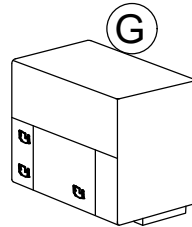
Chair Body X 1PC



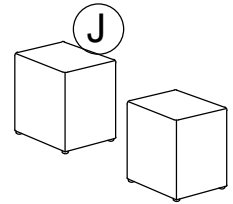
Chair Back Frame  
X 1PC



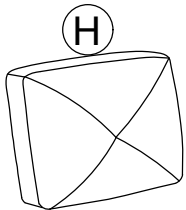
Left Arm X 1PC



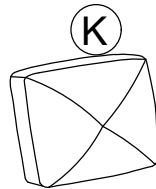
Right Arm X 1PC



Right Arm otoman  
X 2PCS



Back Cushion  
X 1PC



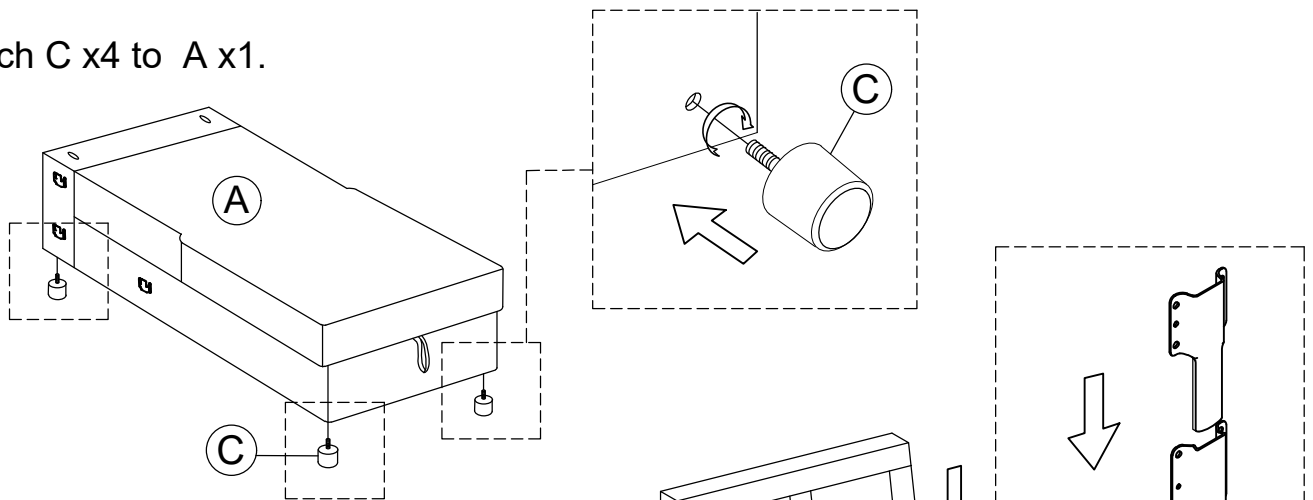
Back Cushion  
X 2PCS



Pillow X 2PCS

## STEP 1:

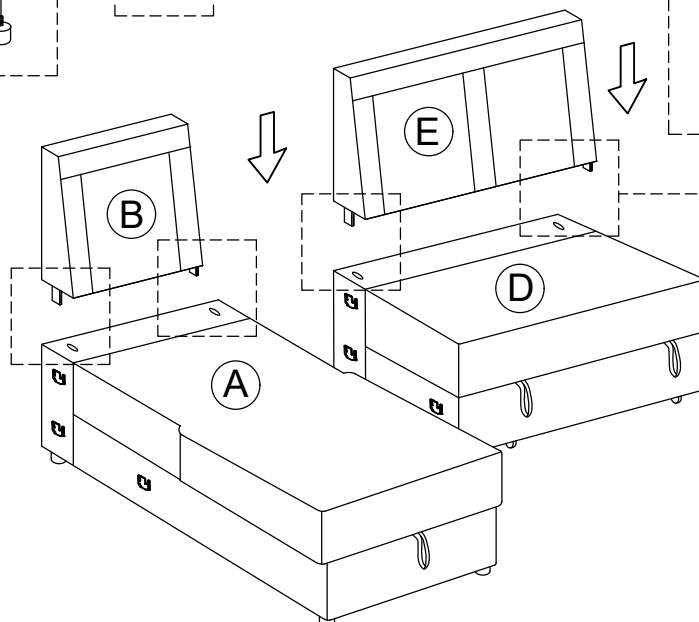
1.1 Attach C x4 to A x1.



## STEP 2:

2.1 Attach B x1 to A x1.

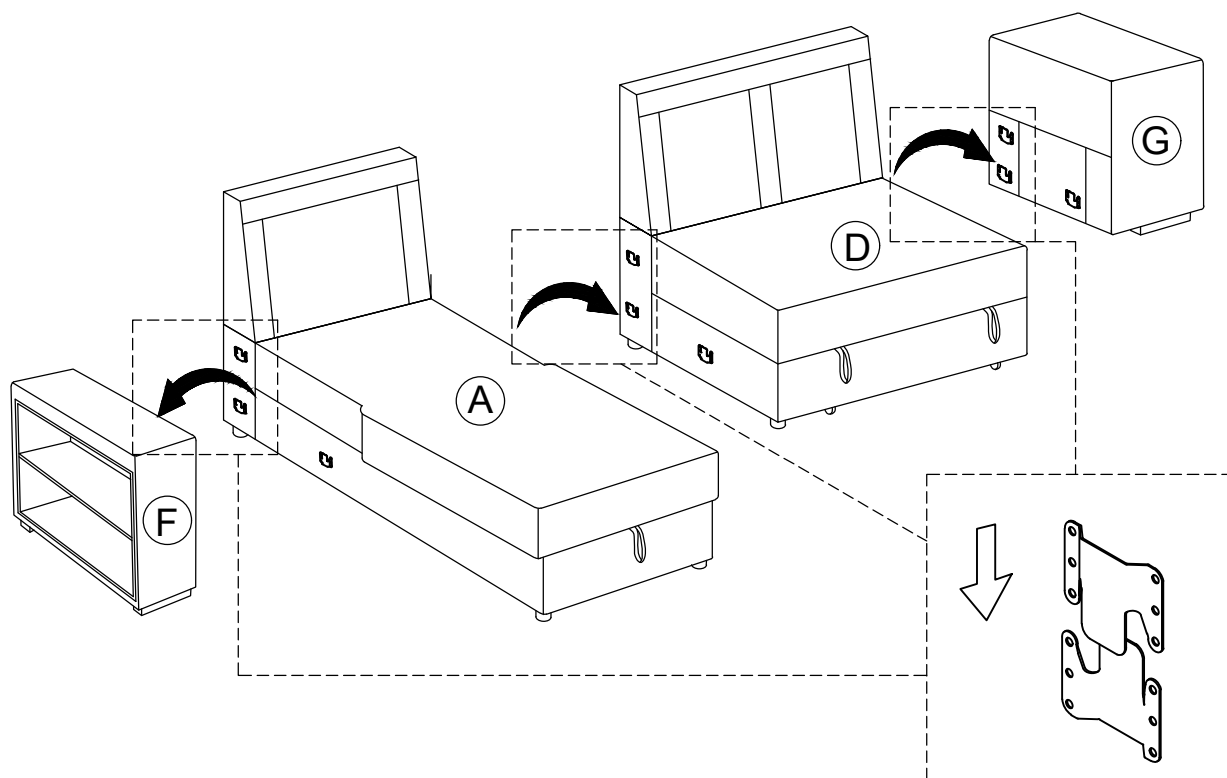
2.2 Attach E x1 to D x1.



### STEP 3:

3.1 Attach F x1 with Ax1 to D x1.

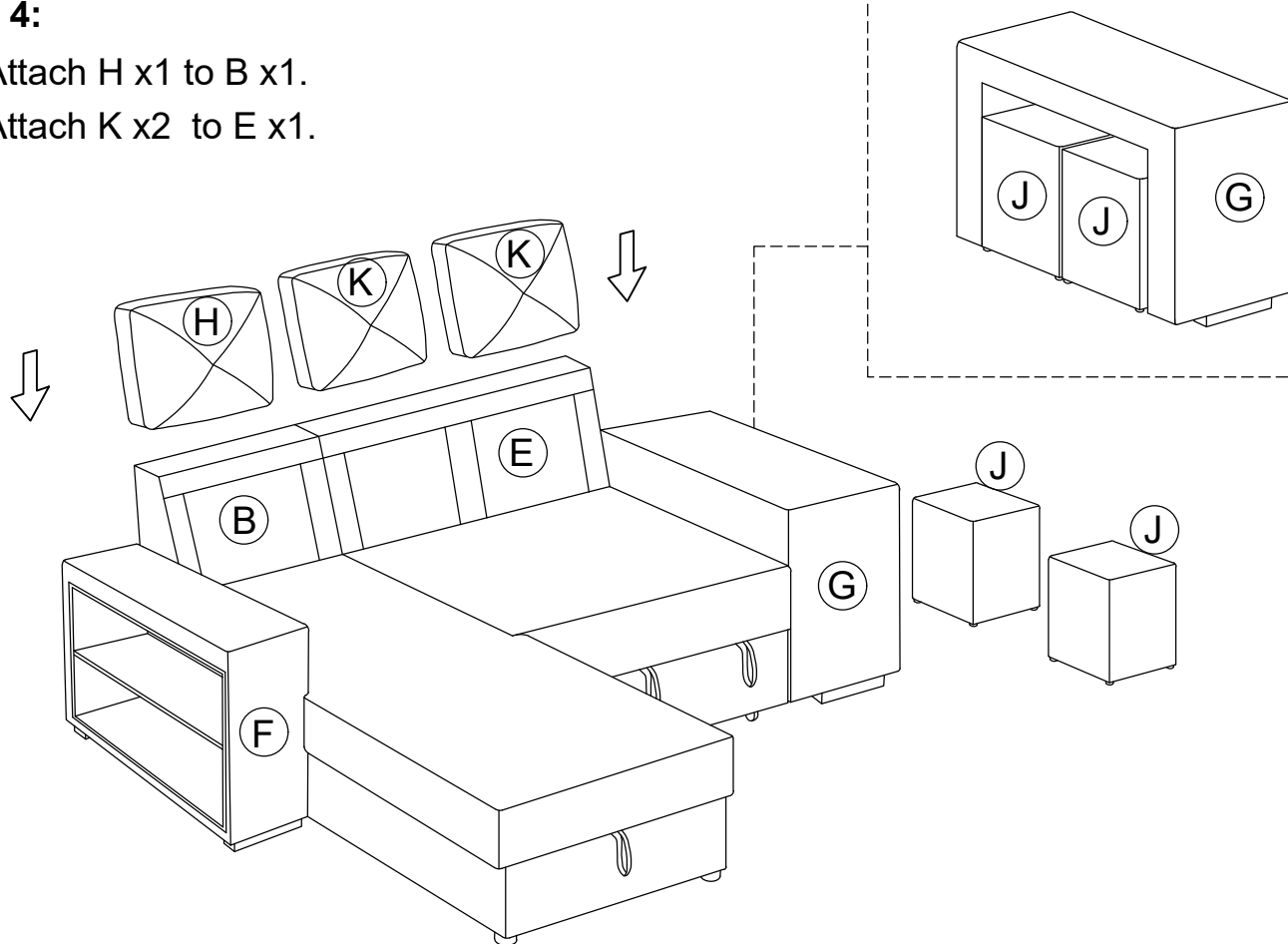
3.2 Attach G x1 with to D x1.



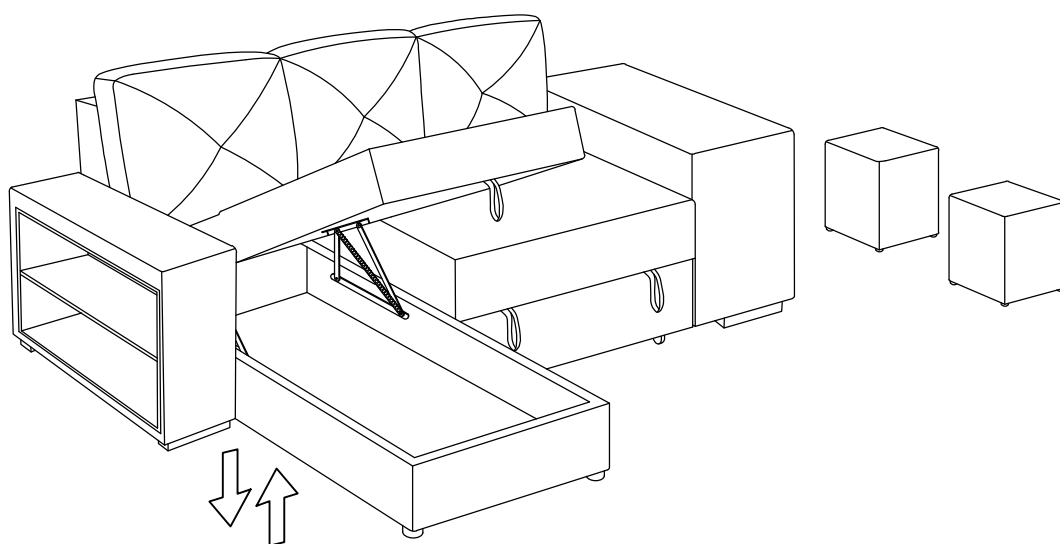
### STEP 4:

4.1 Attach H x1 to B x1.

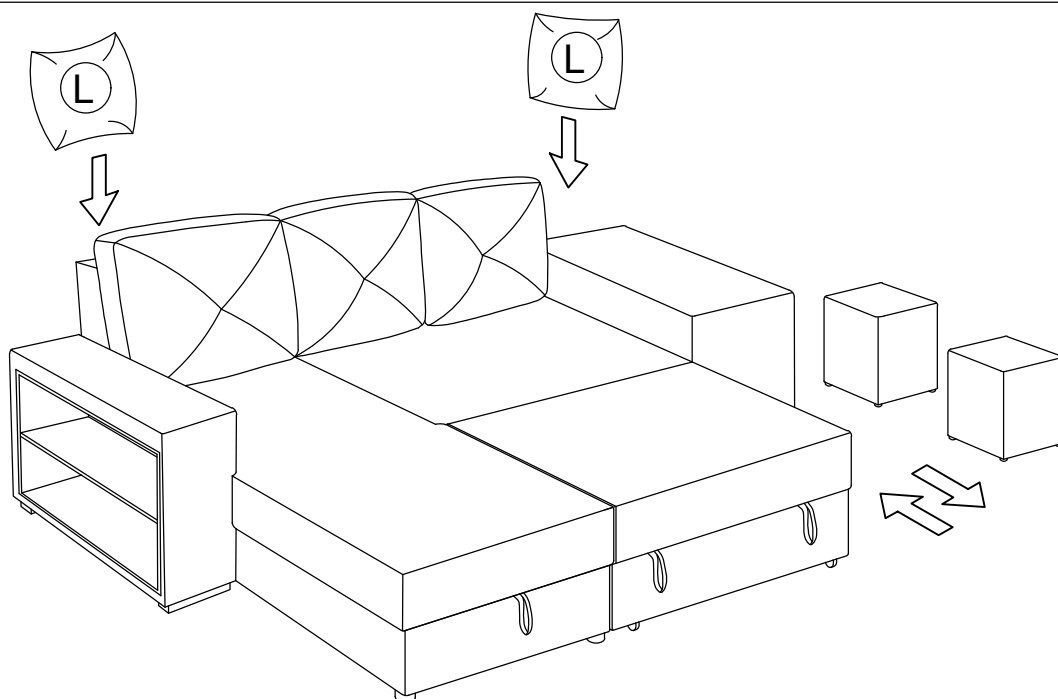
4.2 Attach K x2 to E x1.



## STEP 5:



## COMPLETE



## Helpful Hints

- Your futon can transform between a Sofa.
- Move your new furniture carefully, with two people lifting and carrying the unit to its new location.
- Your furniture can be disassembled and reassembled to move.
- Clean the product with a soft damp cloth. DO NOT use harsh chemicals or abrasive cleaners.

