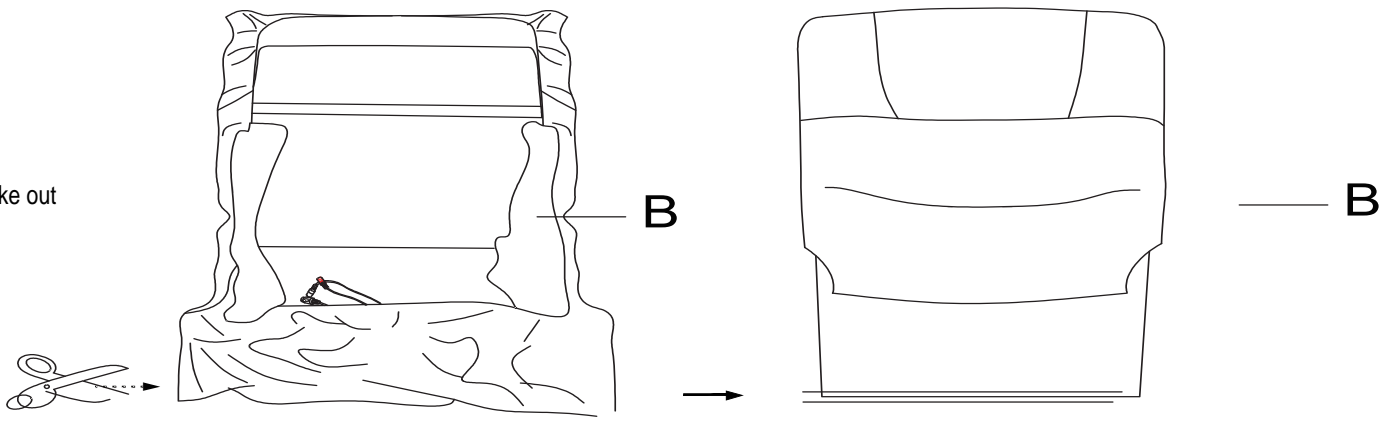


1

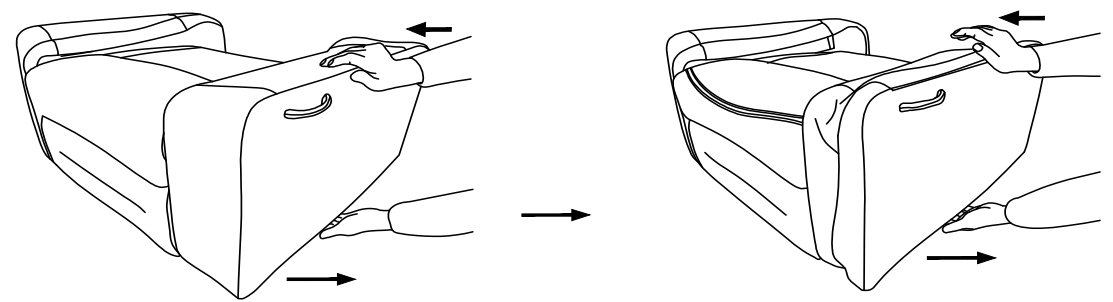
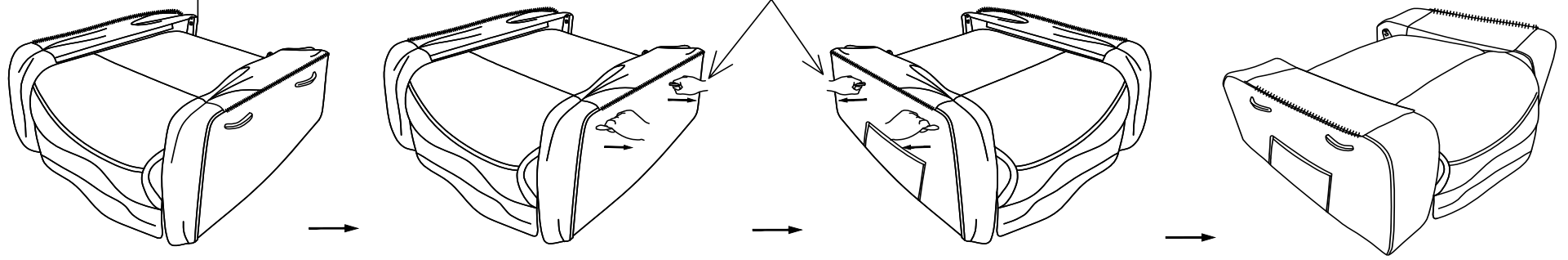
cut plastic bag and take out back cushion



2

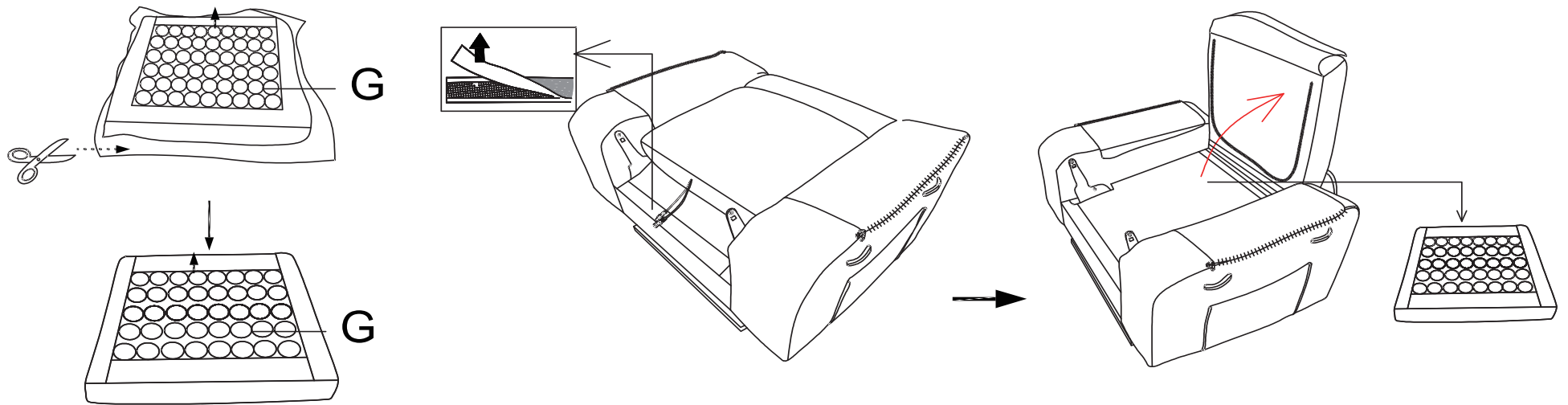
A

Pull hard

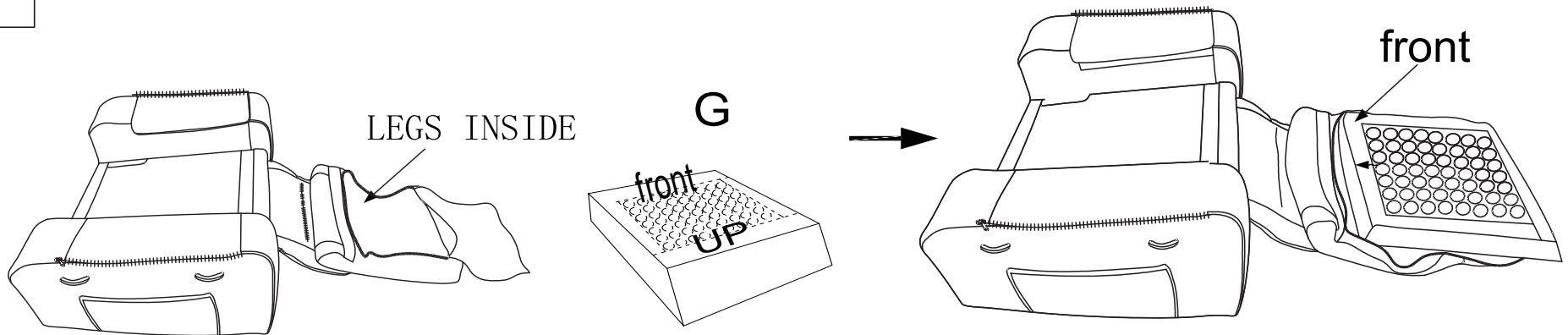


hold the top of arm frame and pull to outside of arm at the bottom at the same time, then pull together, the arm frame will be fold

3



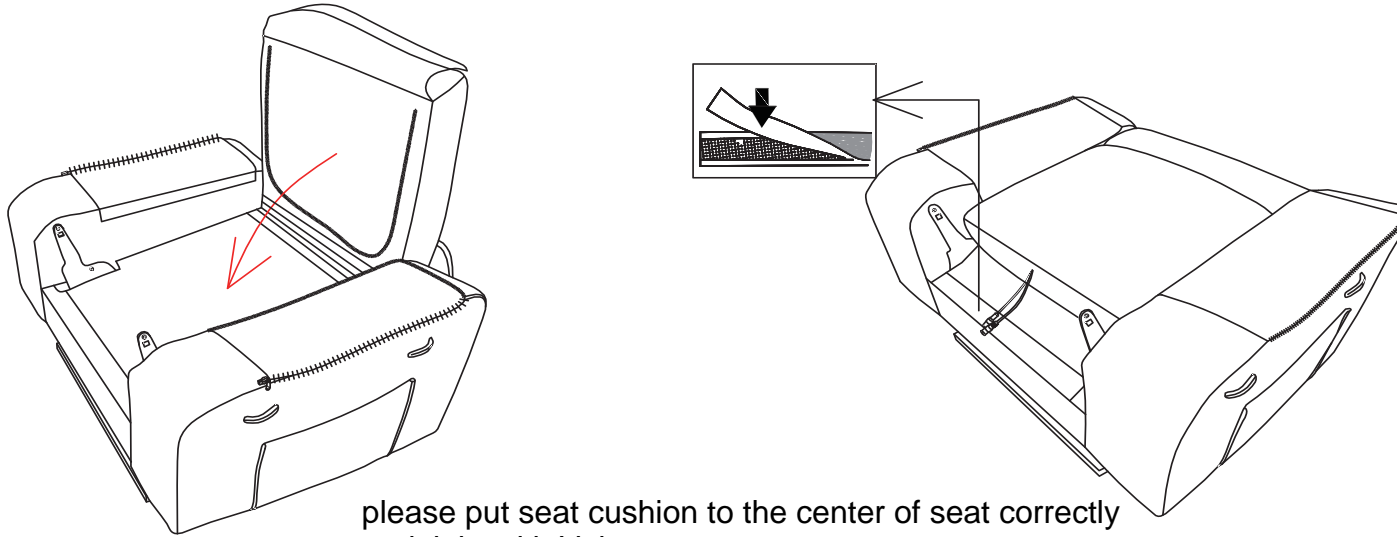
4



please put the coil springs bag into seat cushion and zipper,  
then put whole seat cushion to the center of seat base

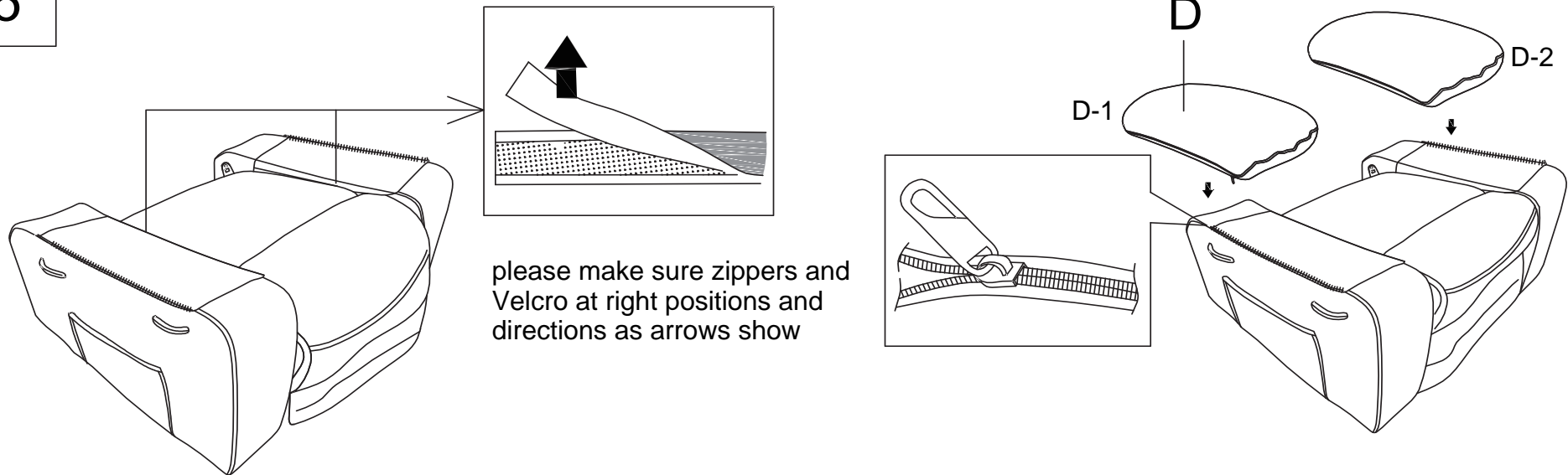


5



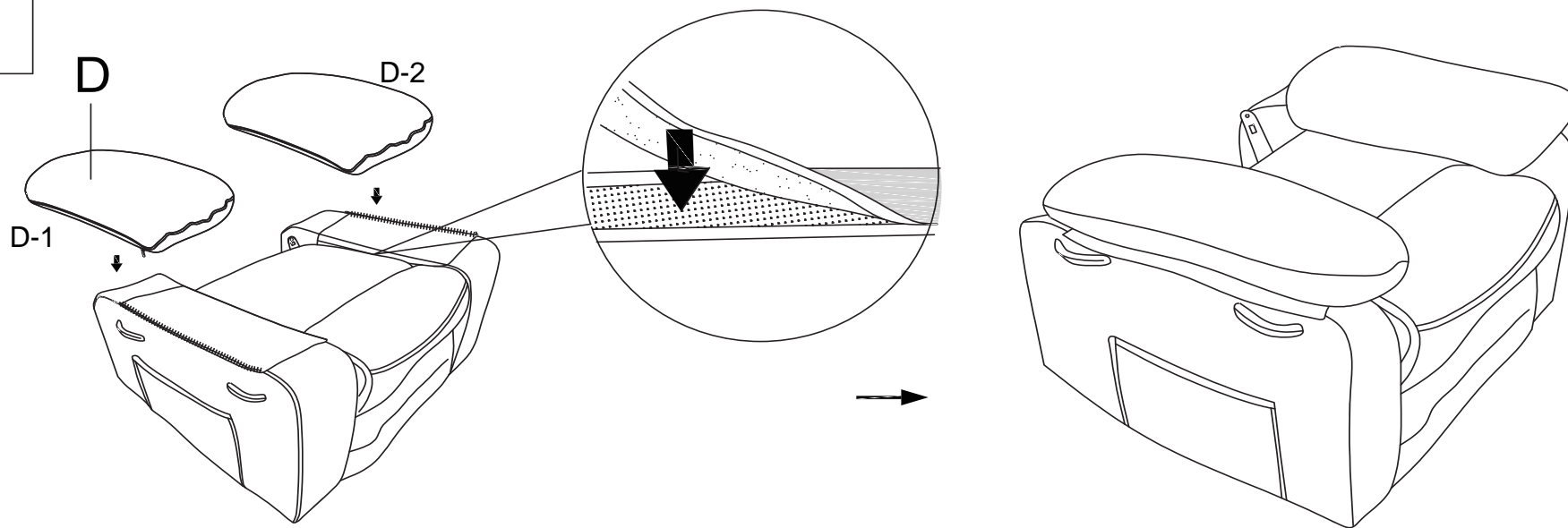
please put seat cushion to the center of seat correctly and tight with Velcro

6

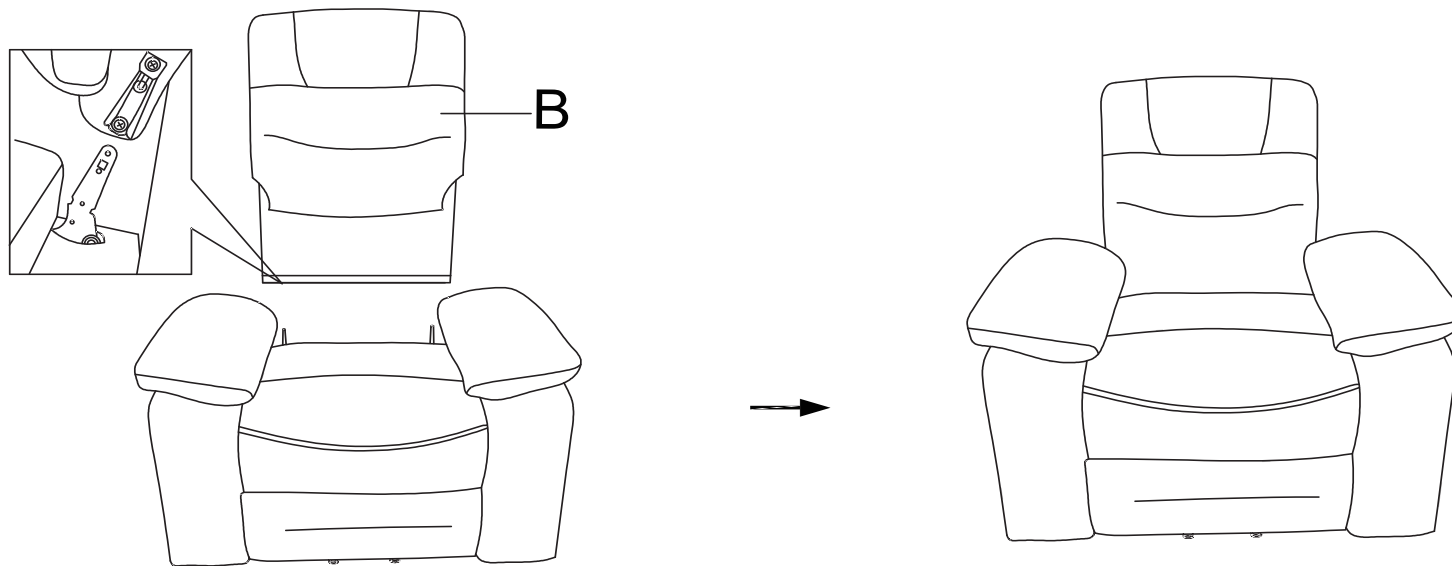


please make sure zippers and Velcro at right positions and directions as arrows show

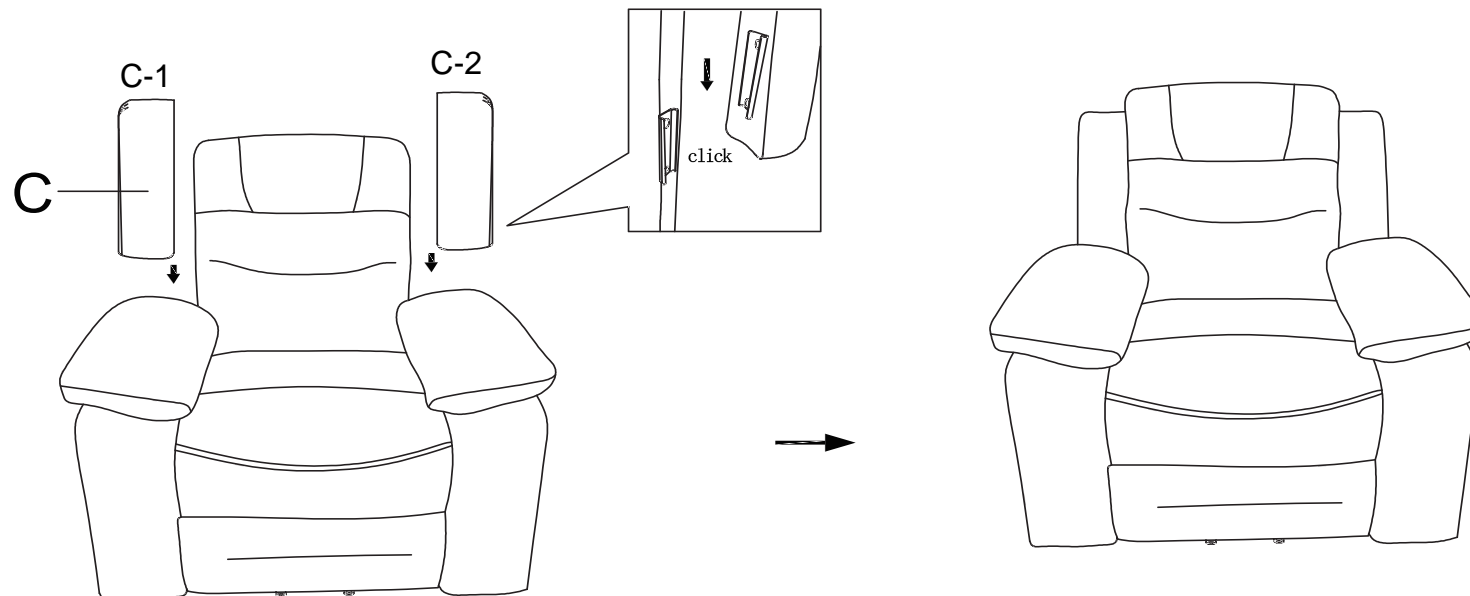
7



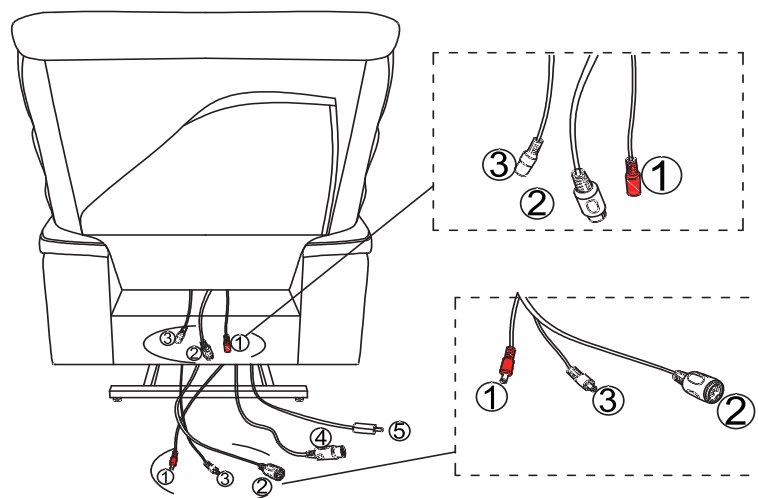
8



9

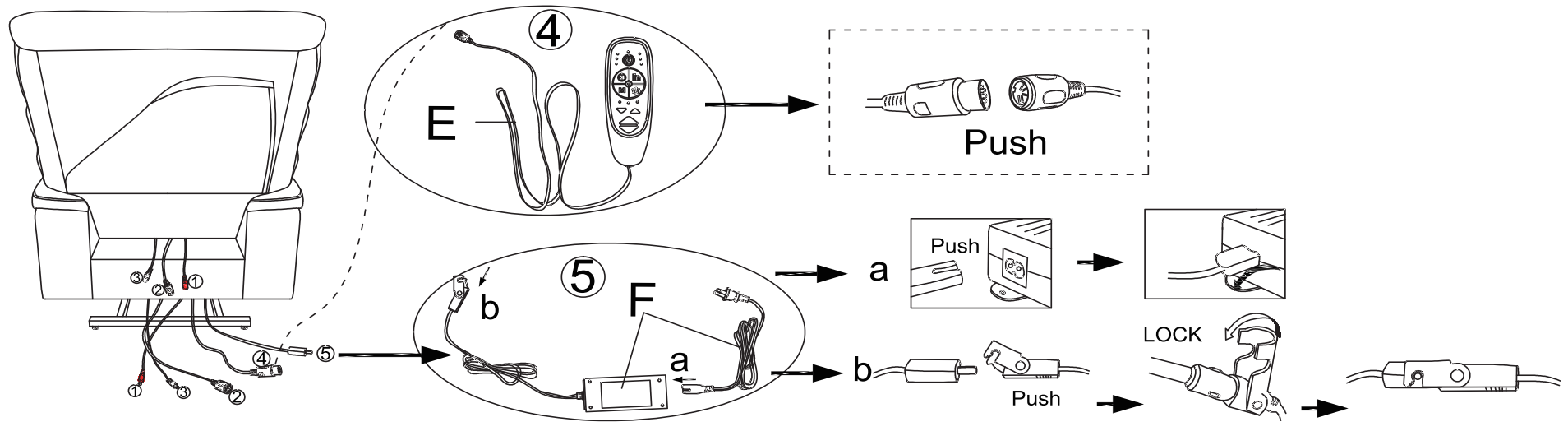


10

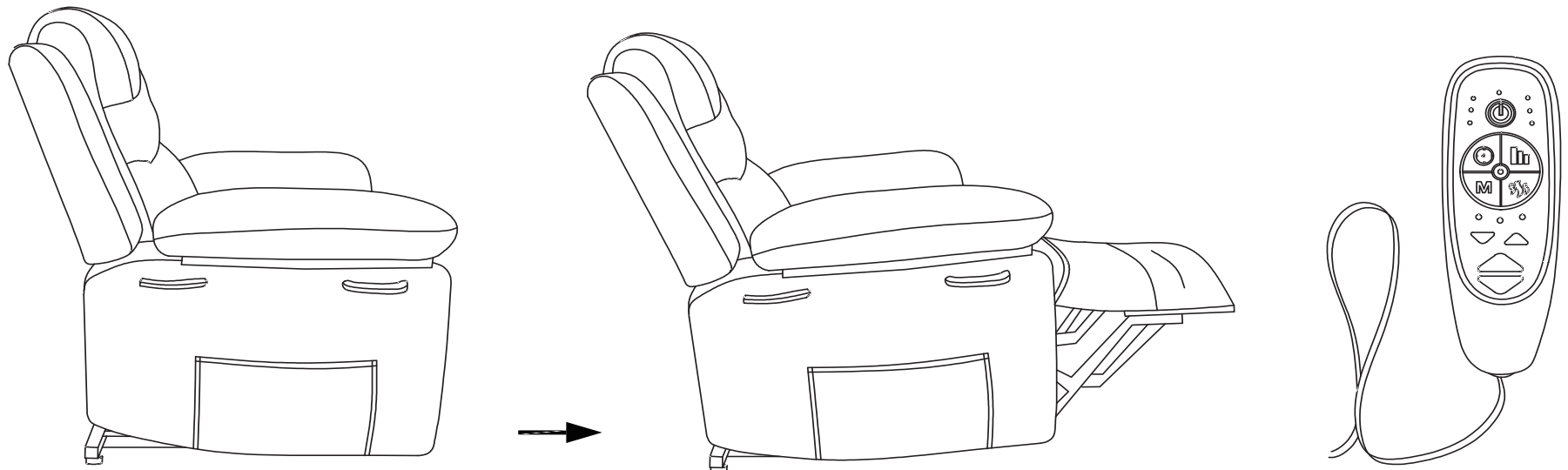


please connect as numbers show

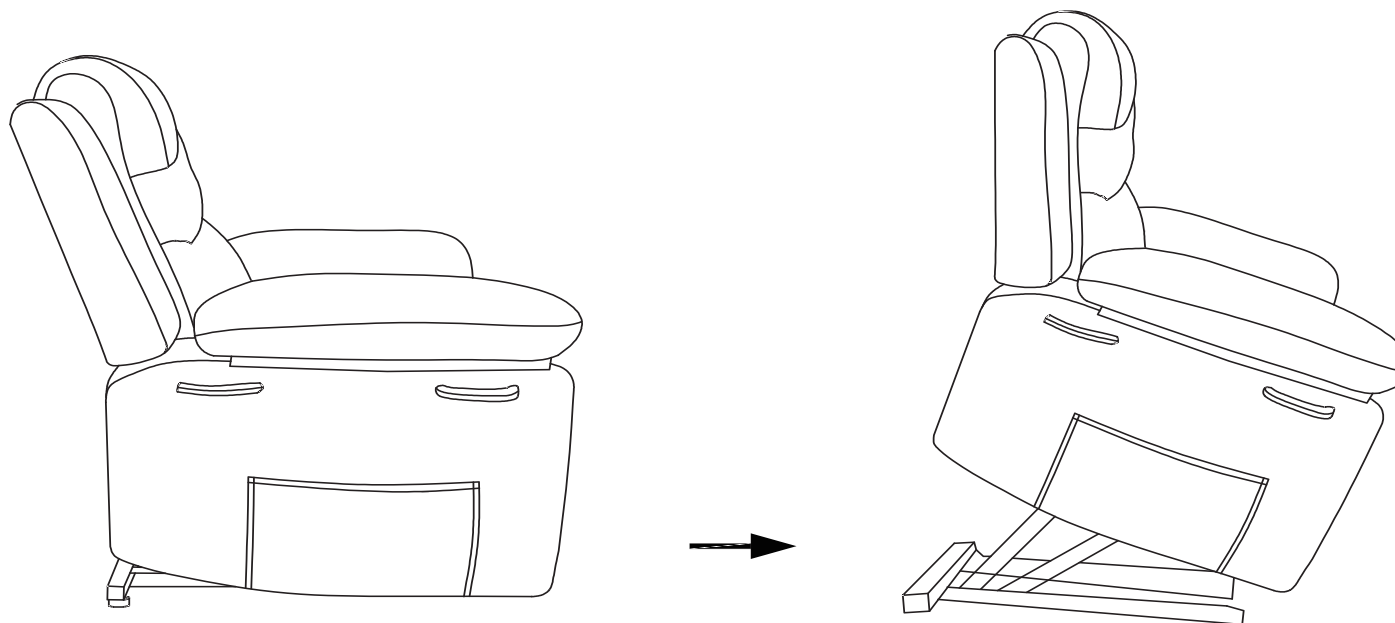
11



12



13



14

