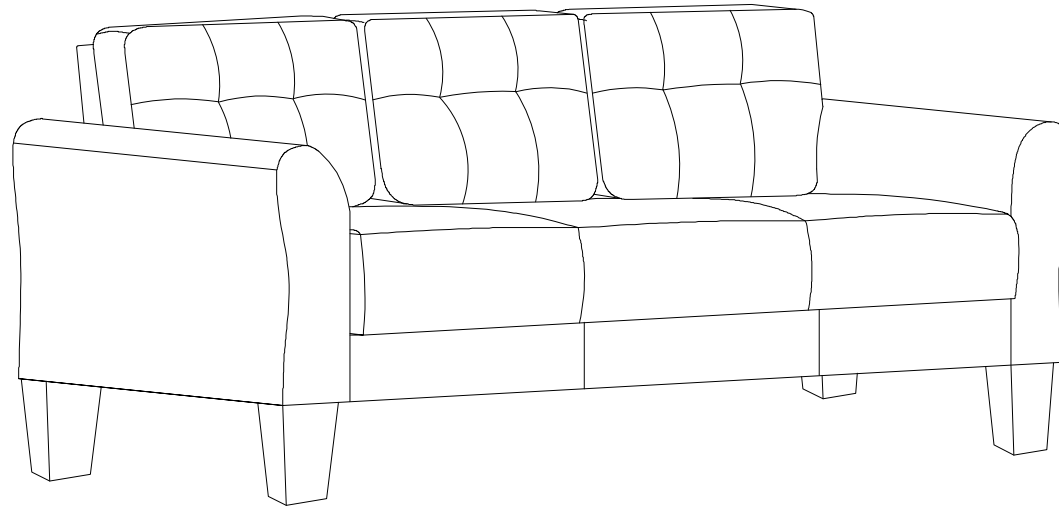


ASSEMBLY INSTRUCTIONS

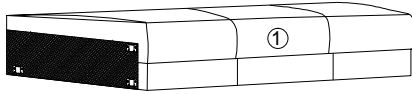
ITEM: WF300332 - SOFA



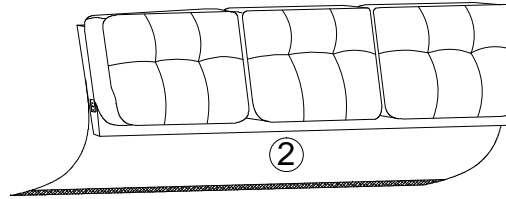
WARNING

- *This product has been designed for seating one (1) average adult. To prevent injury and damage to this unit, PROHIBIT jumping on it.
- *This product is designed for home use and not intended for commercial use.
- *Children under the age of 5, small infants and babies should not sleep alone on this product for safety reasons.
- *Recommended # of people needed for handling: 2 (however it is always better to have an extra hand.)
- *THIS INSTRUCTION BOOKLET CONTAINS IMPORTANT SAFETY INFORMATION. PLEASE READ AND KEEP FOR FUTURE REFERENCE.

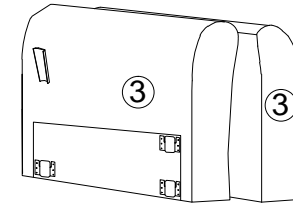
PARTS LIST



SEAT BODY ①
QTY: 1PC



BACK REST ②
QTY: 1PC
(In the storage underneath of seat body)



ARMS ③
QTY: 1PAIR



METAL SUPPORT ⑤
QTY: 1PC



PLASTIC LEGS ④
QTY: 4PCS

HARDWARE



ALLEN KEY ⑥
QTY: 1PC

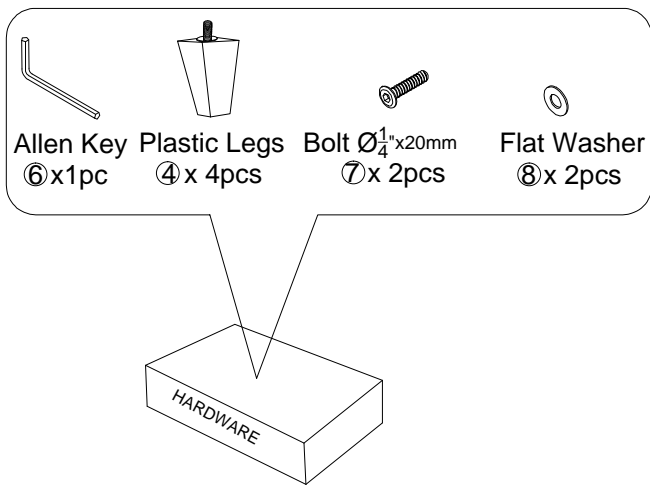
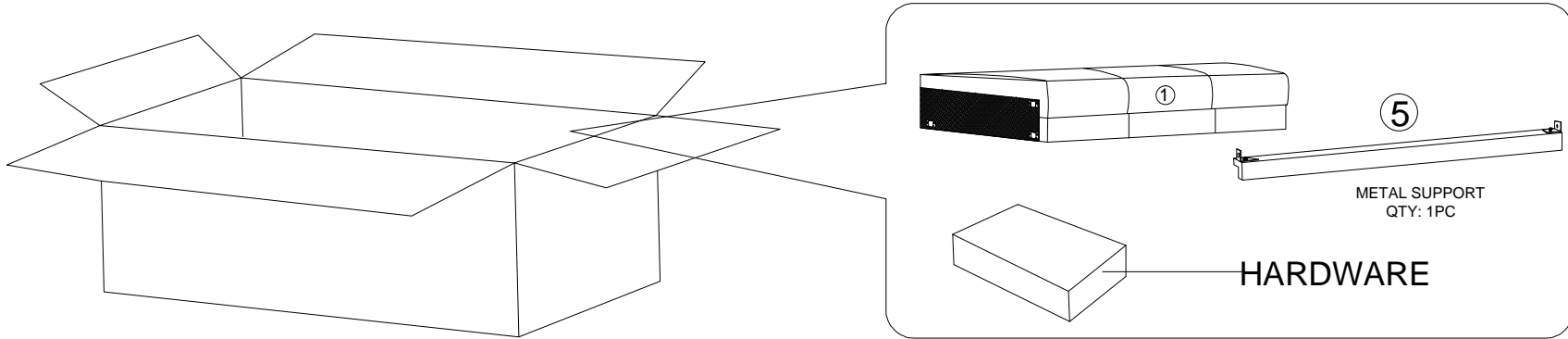


BOLT $\varnothing\frac{1}{4}$ " x20MM ⑦
QTY: 2PCS

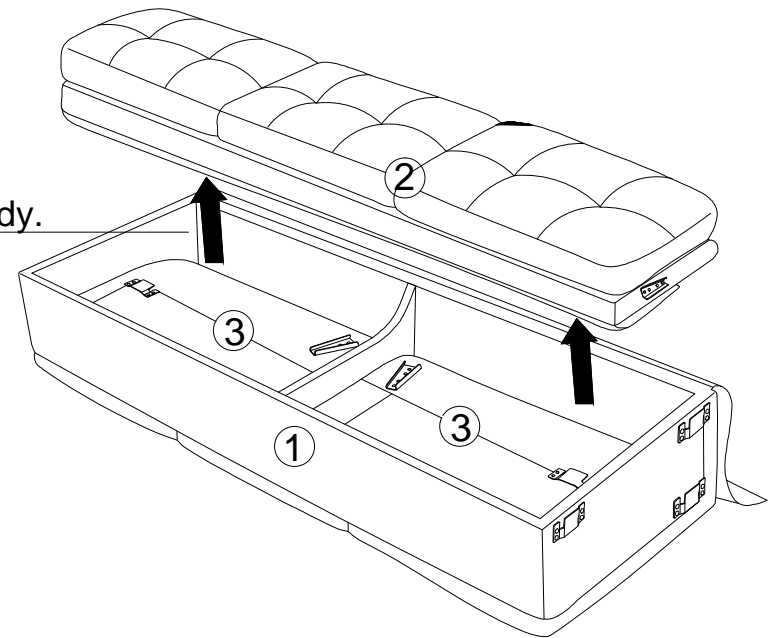


FLAT WASHER ⑧
QTY: 2PCS

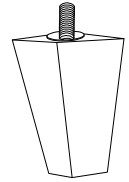
Step 1: Carefully unpack parts/hardware from box and storage of seat body, place on a clean flat surface.



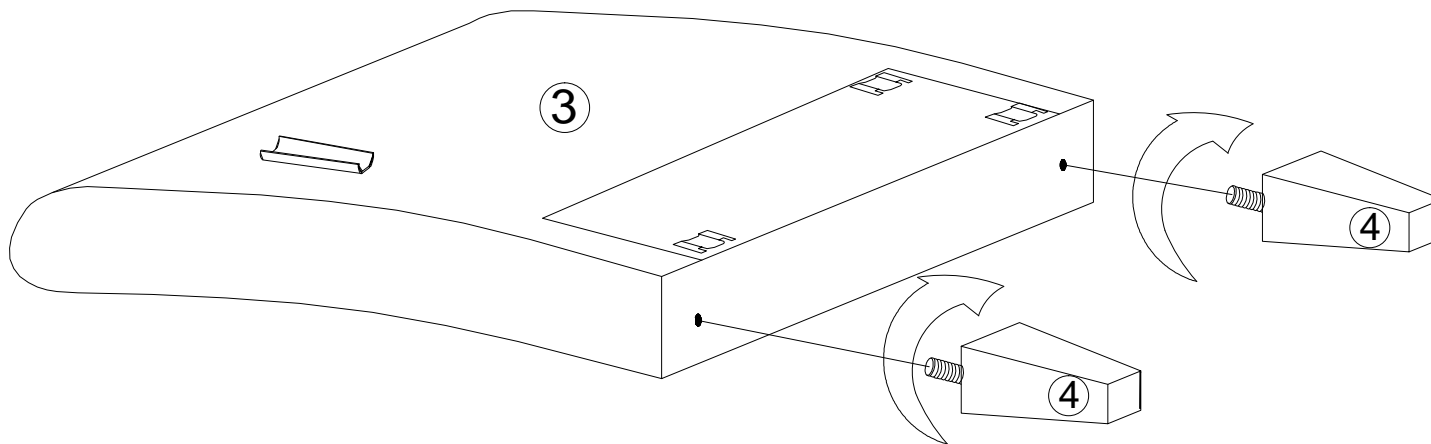
Storage,
underneath of seat body.



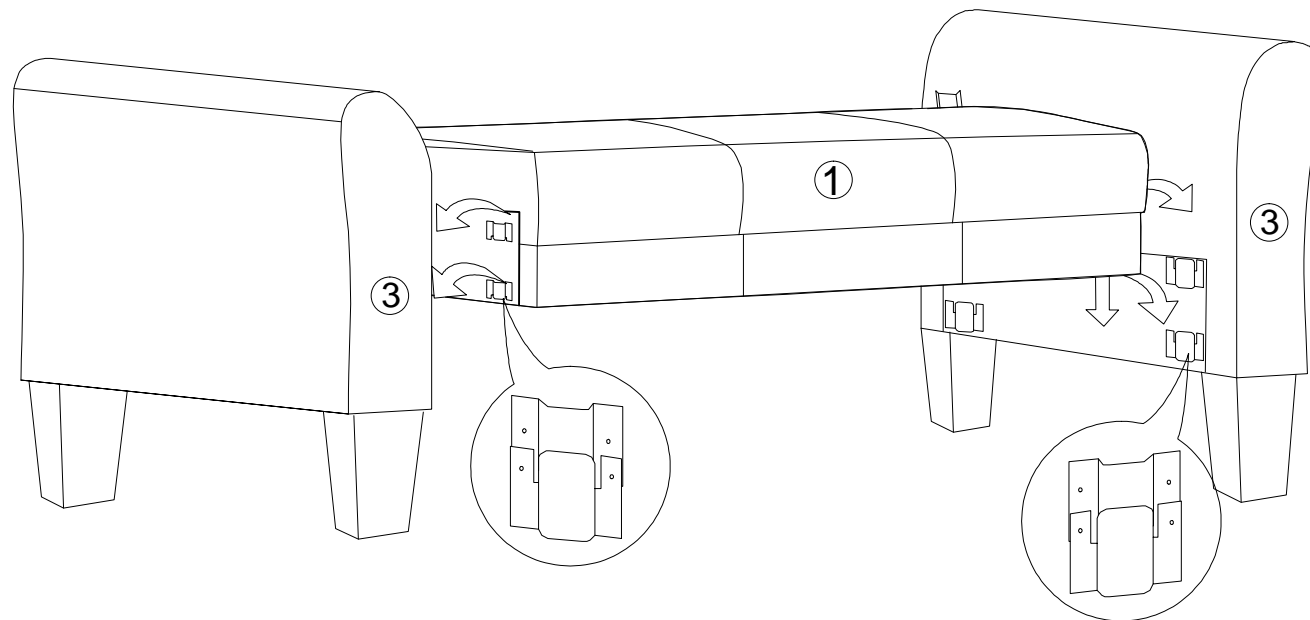
Step 2: Place both arms as shown below, secure two legs into pre-drilled holes on the bottom of arms. Please avoid overtightening.



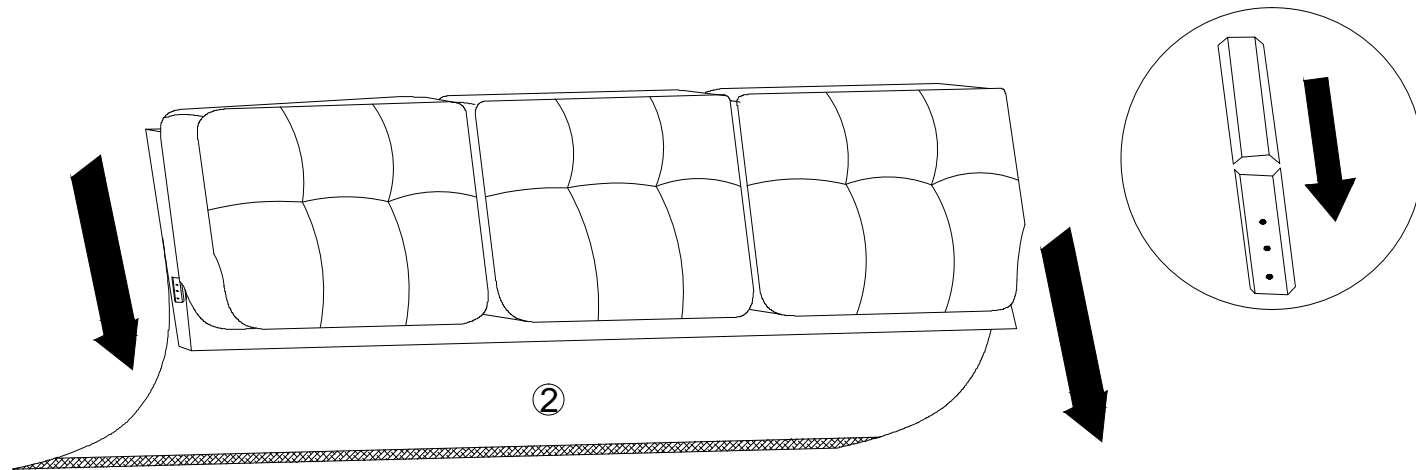
④ x 4pcs



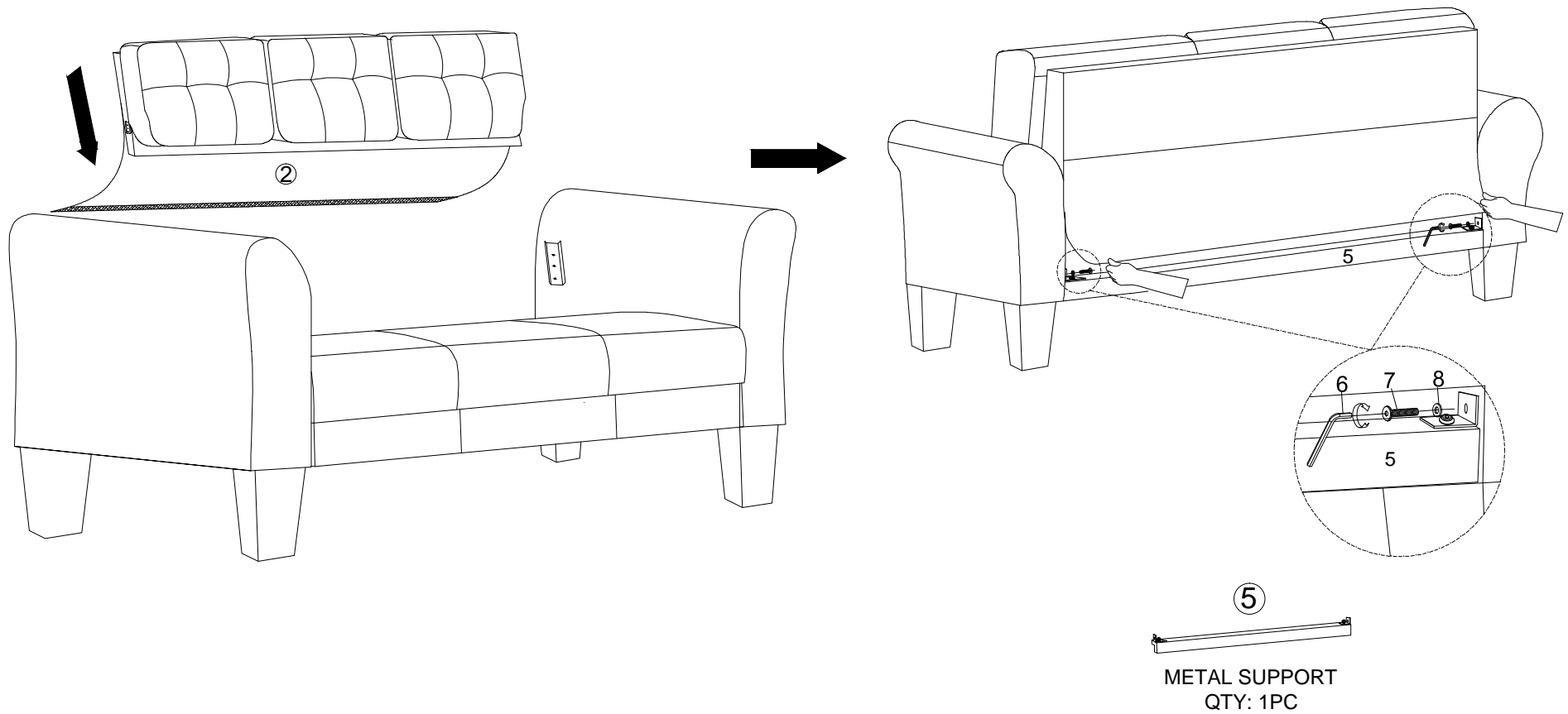
Step 3: Carefully lift and turn assembled arms onto its legs. Insert seat body metal plates to both arms as shown below. Ensure it is correctly in place.



**Step 4: Insert backrest with ear piece metal plates to both arms as shown below.
Ensuring is correctly in place.**



**Step 5: Insert backrest metal plates to both arms as shown below. Ensuring it is correctly in place.
After that, turn to back rest and assembly part (5) by using hardware (6) , (7) , (8).**



**Step 6: Finally, stretch and pull down rear cover evenly before securing velcro strip to seat base.
Repeat if necessary for better fit.**

