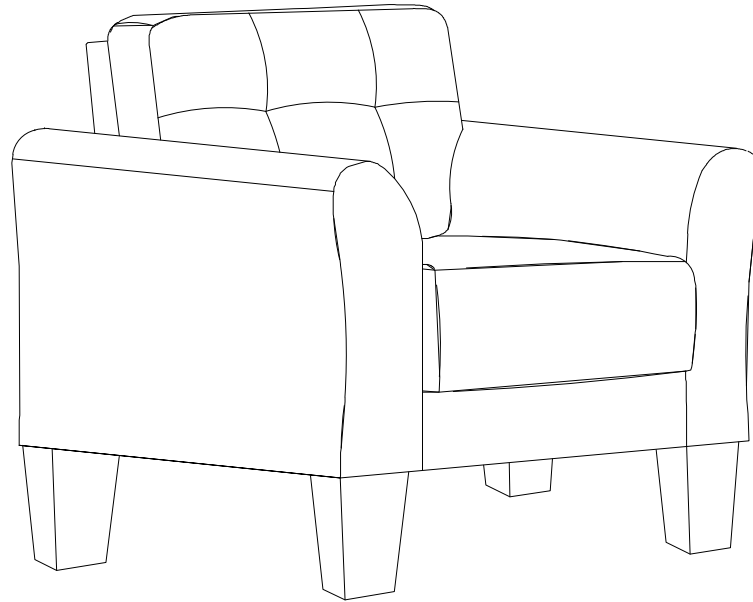


# ASSEMBLY INSTRUCTIONS

ITEM: WF300330 - CHAIR

---



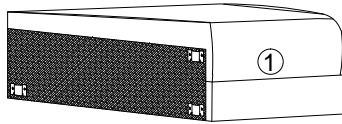
## WARNING

- \*This product has been designed for seating one (1) average adult. To prevent injury and damage to this unit, PROHIBIT jumping on it.
- \*This product is designed for home use and not intended for commercial use.
- \*Children under the age of 5, small infants and babies should not sleep alone on this product for safety reasons.
- \*Recommended # of people needed for handling: 2 (however it is always better to have an extra hand.)
- \*THIS INSTRUCTION BOOKLET CONTAINS IMPORTANT SAFETY INFORMATION. PLEASE READ AND KEEP FOR FUTURE REFERENCE.

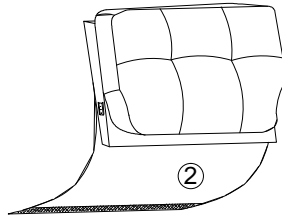
---

## PARTS LIST

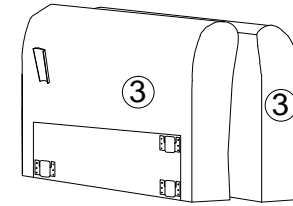
---



**SEAT BODY ①**  
QTY: 1PC



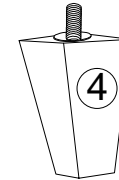
**BACK REST ②**  
QTY: 1PC  
(In the storage underneath of seat body)



**ARMS ③**  
QTY: 1PAIR



**METAL SUPPORT ⑤**  
QTY: 1PC



**PLASTIC LEGS ④**  
QTY: 4PCS

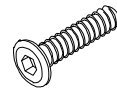
---

## HARDWARE

---



**ALLEN KEY ⑥**  
QTY: 1PC

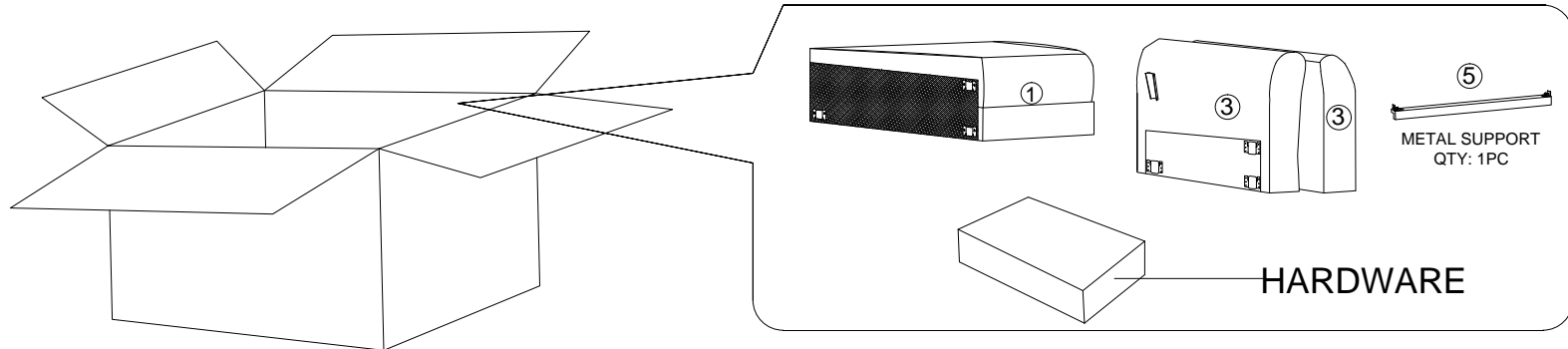






**BOLT  $\varnothing\frac{1}{4}$ " x20MM ⑦**  
QTY: 2PCS

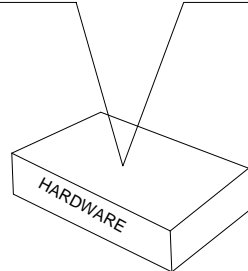


**FLAT WASHER ⑧**  
QTY: 2PCS

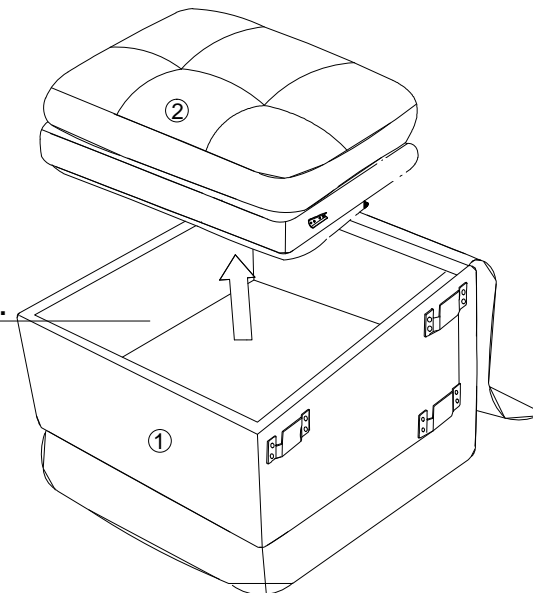
**Step 1: Carefully unpack parts/hardware from box and storage of seat body, place on a clean flat surface.**



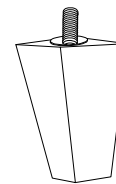
-  Allen Key  
⑥ x 1pc
-  Plastic Legs  
④ x 4pcs
-  Bolt  $\text{Ø}\frac{1}{4} \times 20\text{mm}$   
⑦ x 2pcs
-  Flat Washer  
⑧ x 2pcs



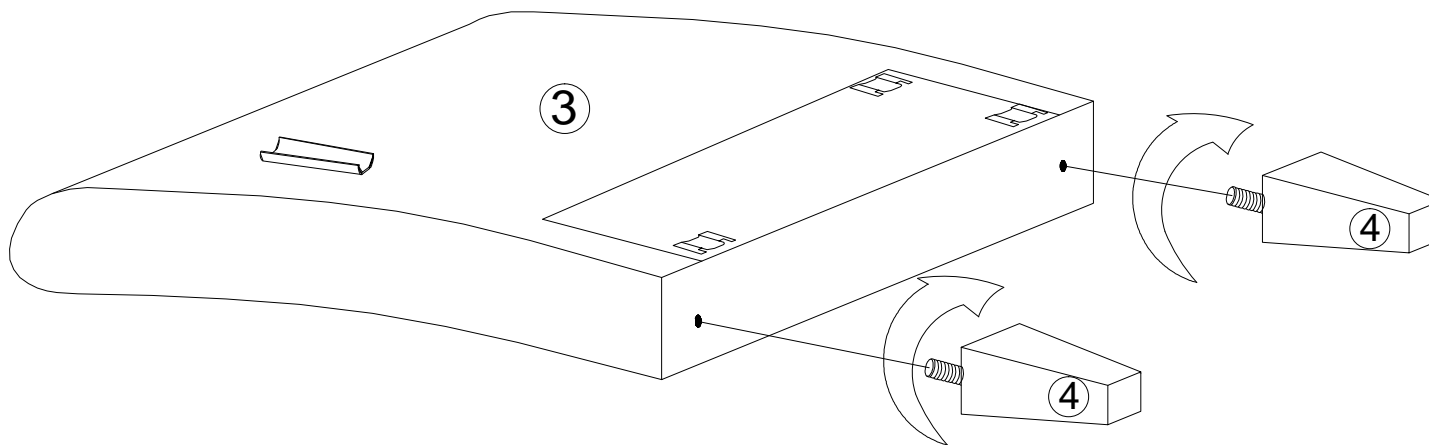
Storage,  
underneath of seat body.



**Step 2: Place both arms as shown below, secure two legs into pre-drilled holes on the bottom of arms.  
Please avoid overtightening.**

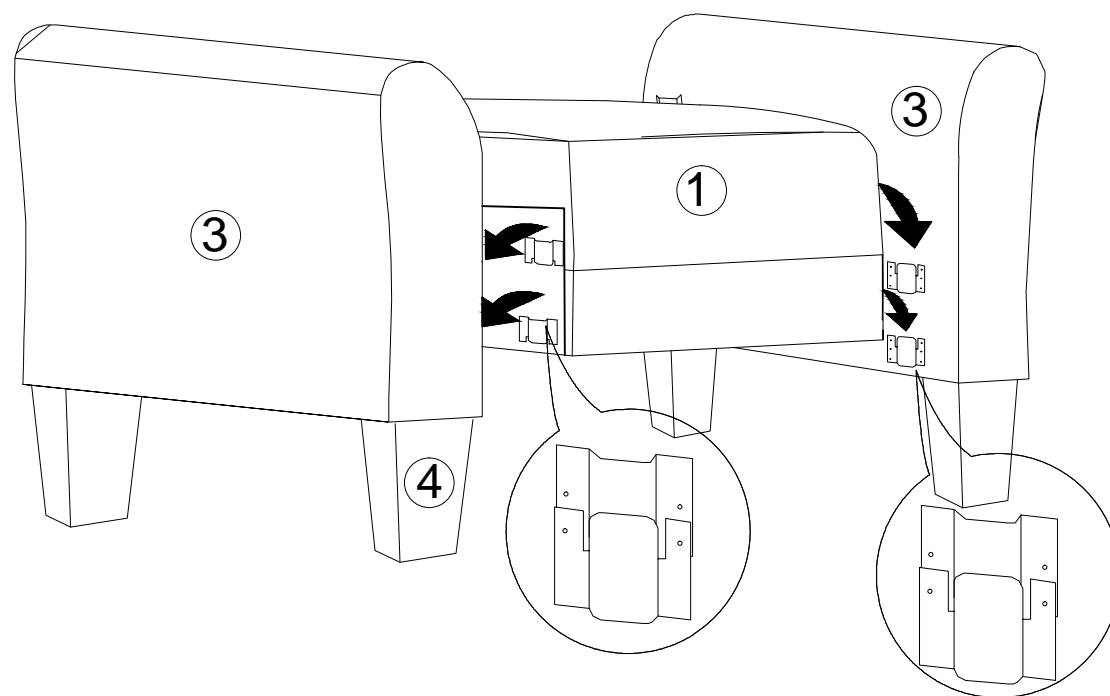


**4** x 4pcs

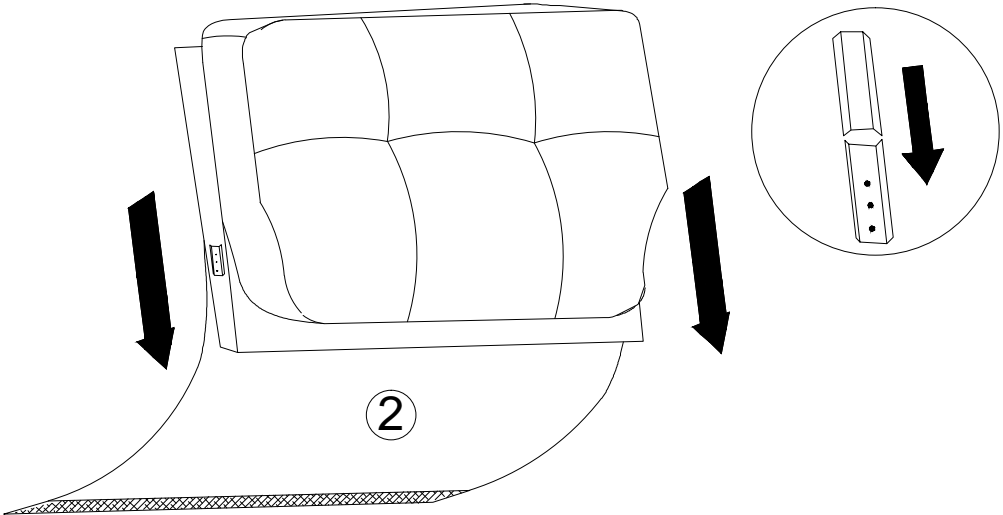


---

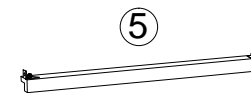
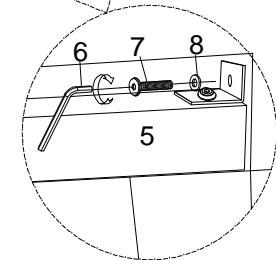
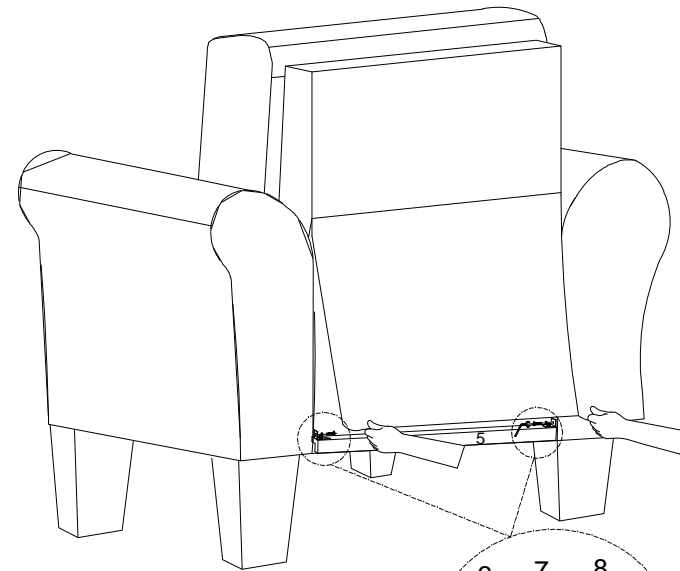
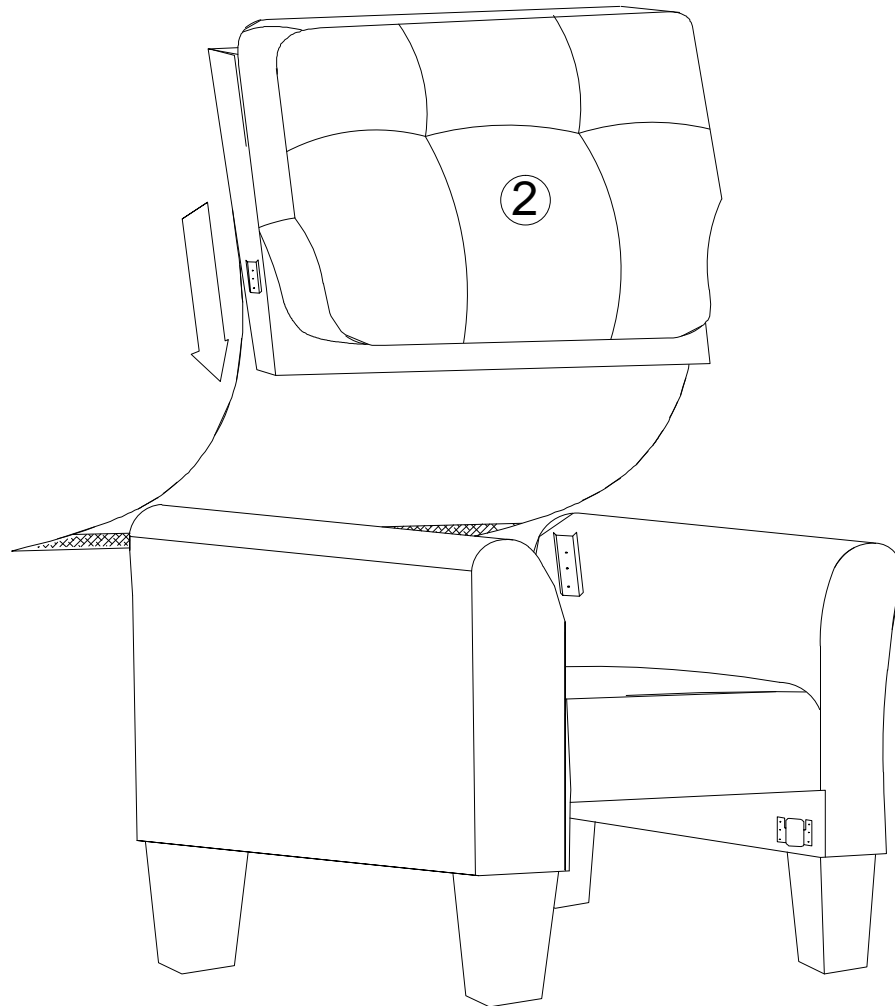
**Step 3: Carefully lift and turn assembled arms onto its legs. Insert seat body metal plates to both arms as shown below. Ensure it is correctly in place.**



**Step 4: Insert backrest with ear piece metal plates to both arms as shown below.  
Ensuring is correctly in place.**



**Step 5: Insert backrest metal plates to both arms as shown below. Ensuring it is correctly in place. After that, turn to back rest and assembly part (5) by using hardware (6) , (7) , (8).**



**METAL SUPPORT**  
QTY: 1PC

---

**Step 6: Finally, stretch and pull down rear cover evenly before securing velcro strip to seat base.  
Repeat if necessary for better fit.**

