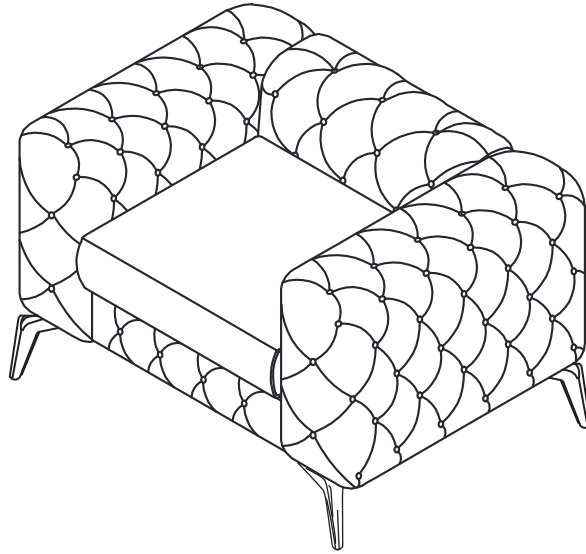


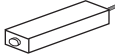
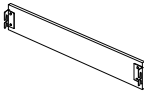

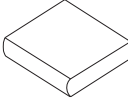

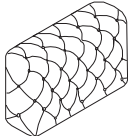


ASSEMBLY INSTRUCTIONS

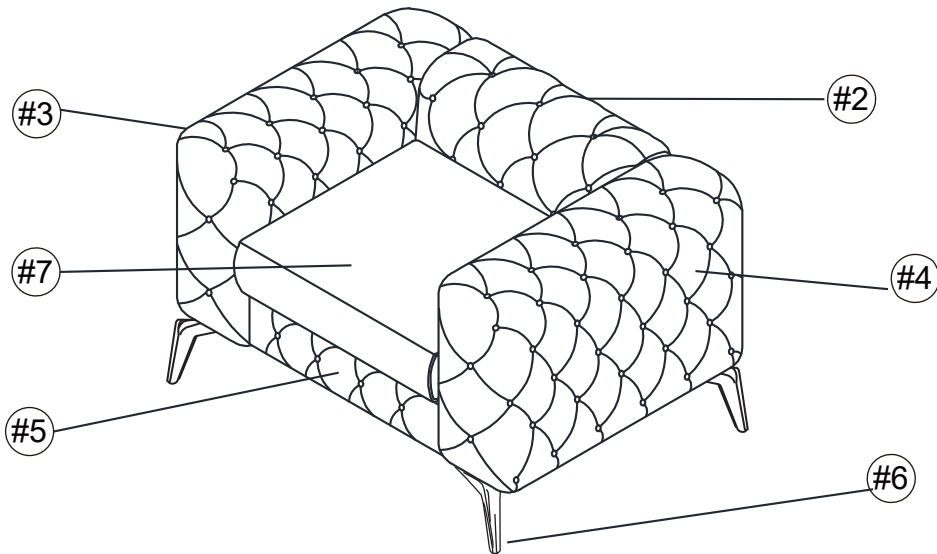
SINGLE SOFA



SINGLE SOFA is packed in 3 cases

Carton	Disignation	Part	Hardware
1/3	Backrest	#2 	(A) (B) (C) (D)
	Leg	#6 	
	Support leg	#8 	
	Former board	#5 	
2/3	Riser plate	#1 	
	Cushion	#7 	
3/3	Left arm	#3 	
	Right arm	#4 	

ASSEMBLY INSTRUCTIONS



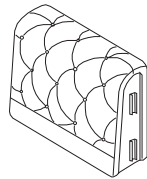
PARTS

#1 1pc



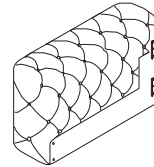
RISER PLATE

#2 1pc



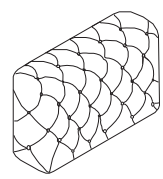
BACKREST

#3 1pc



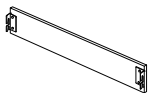
LEFT ARM

#4 1pc



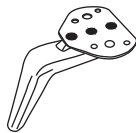
RIGHT ARM

#5 1pc



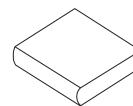
FORMER BOARD

#6 4pcs



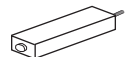
LEG

#7 1pc



CUSHION

#8 2pcs



SUPPORT LEG

HARDWARE

#A 12 pcs



BOLT 1 -1/2" L

#B 1 pc



ALLEN KEY 4mm L

#C 12 pcs



FLAT WASHER 16mm

#D 12 pcs

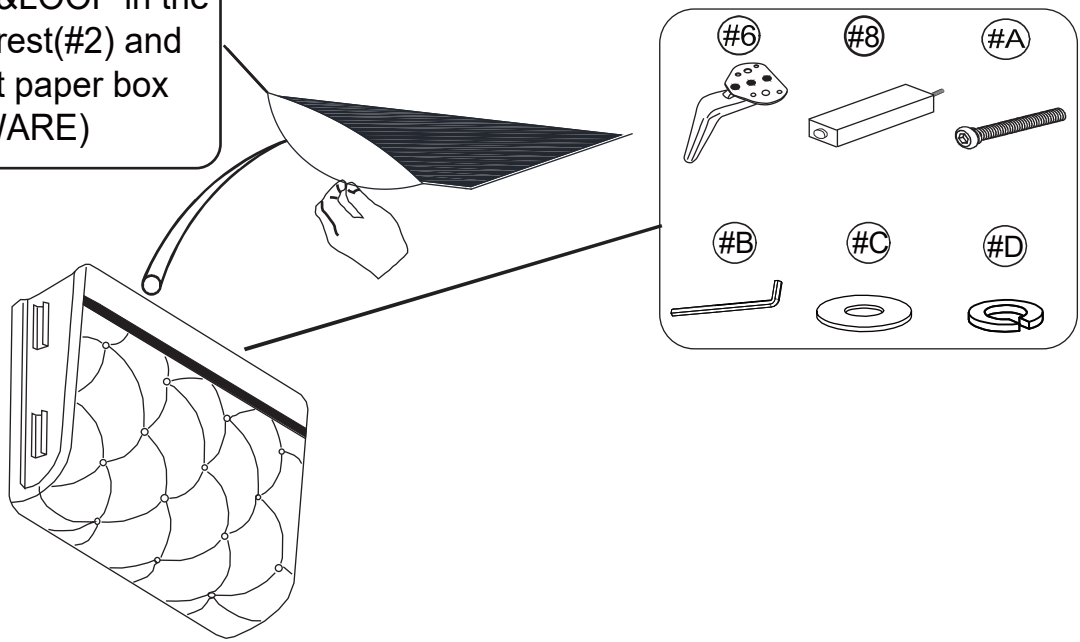


SPRING WASHER

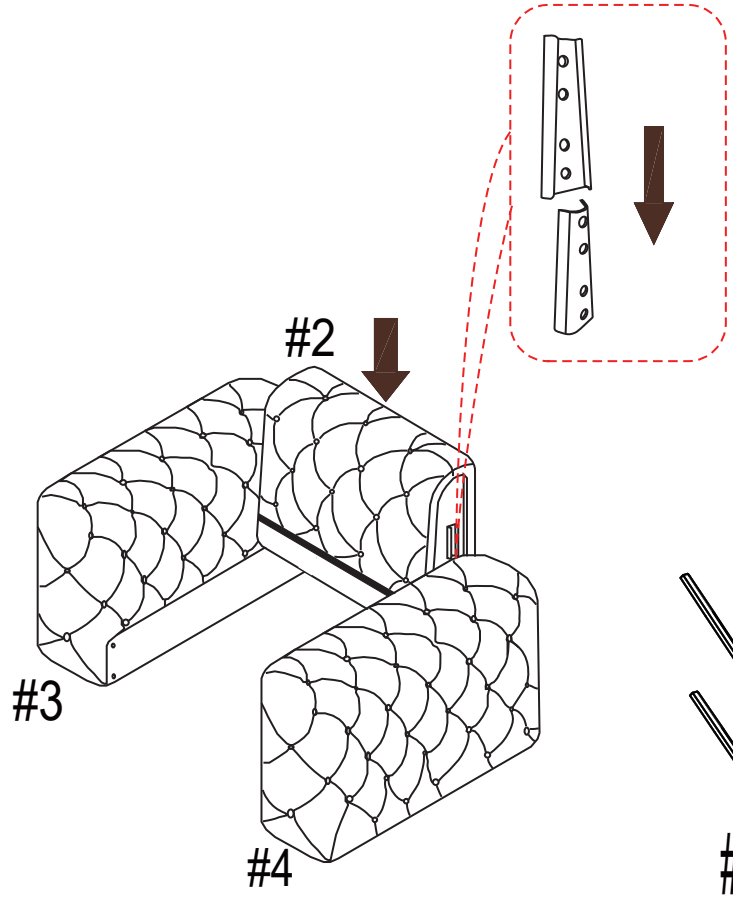
ASSEMBLY INSTRUCTIONS

STEP1:

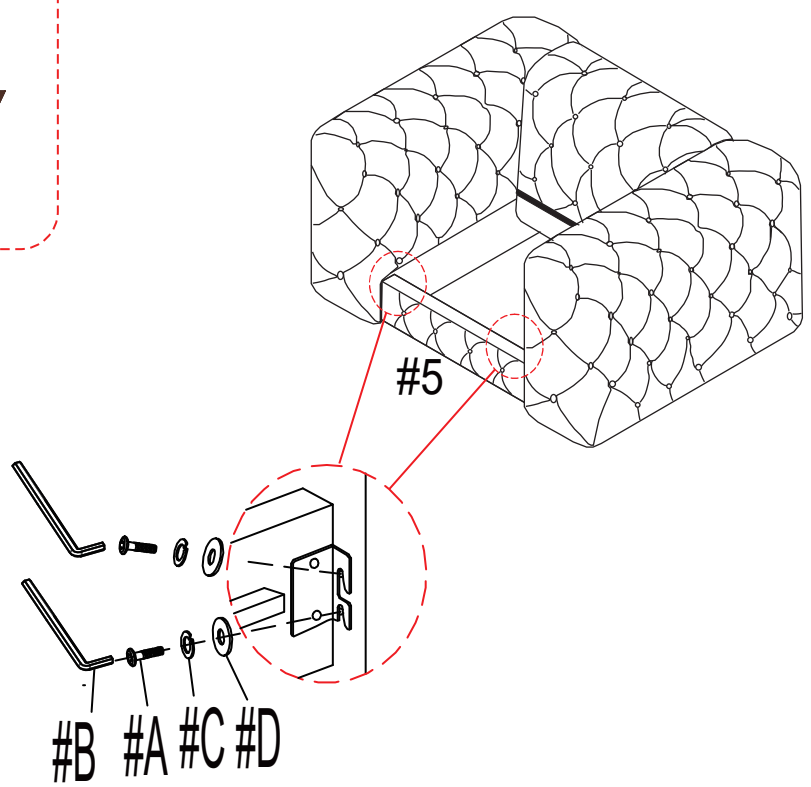
Pull the HOOK&LOOP in the bottom of backrest(#2) and open it,take out paper box (#6,#8,HARDWARE)



STEP2:

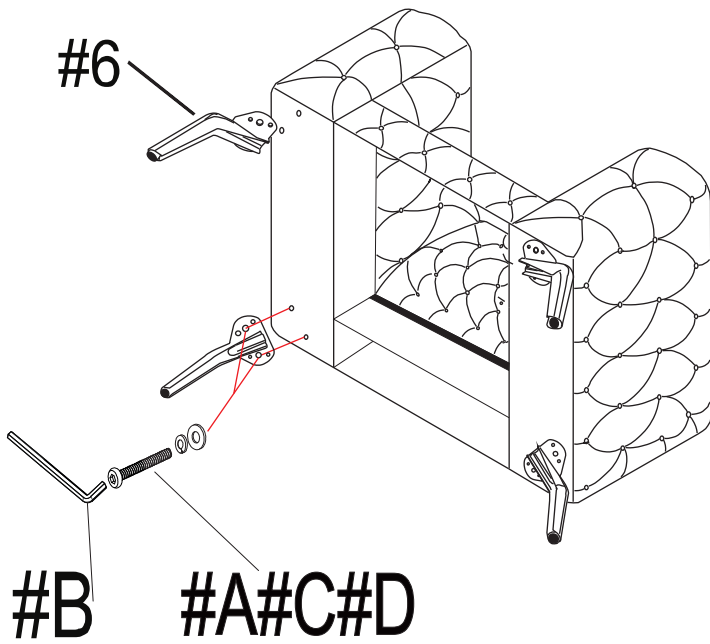


STEP3:

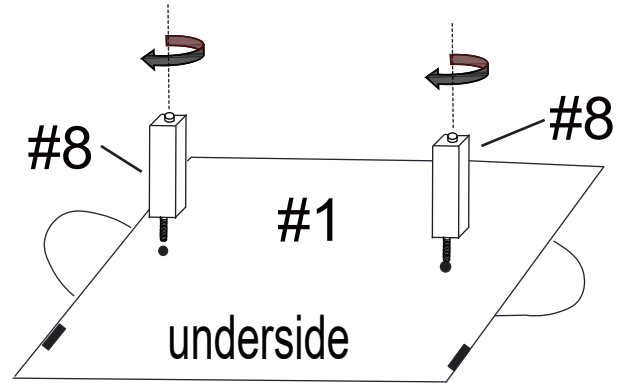


ASSEMBLY INSTRUCTIONS

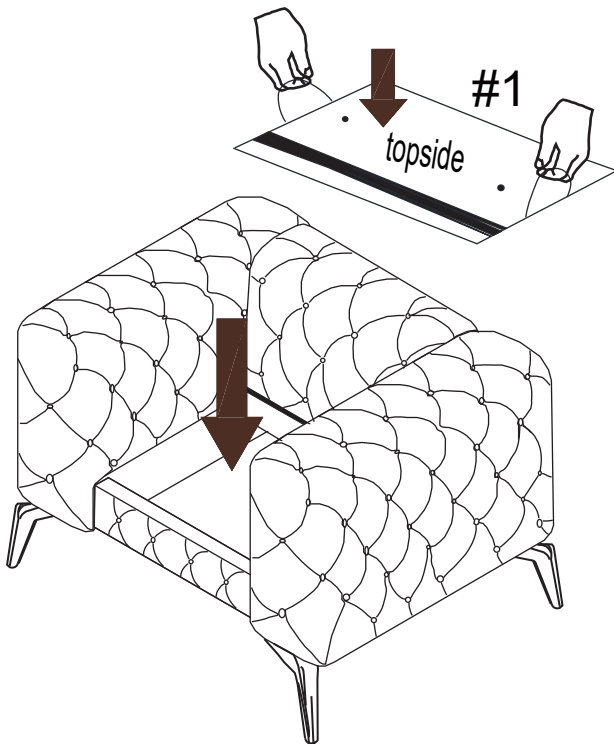
STEP4:



STEP5:



STEP6:



STEP7:

