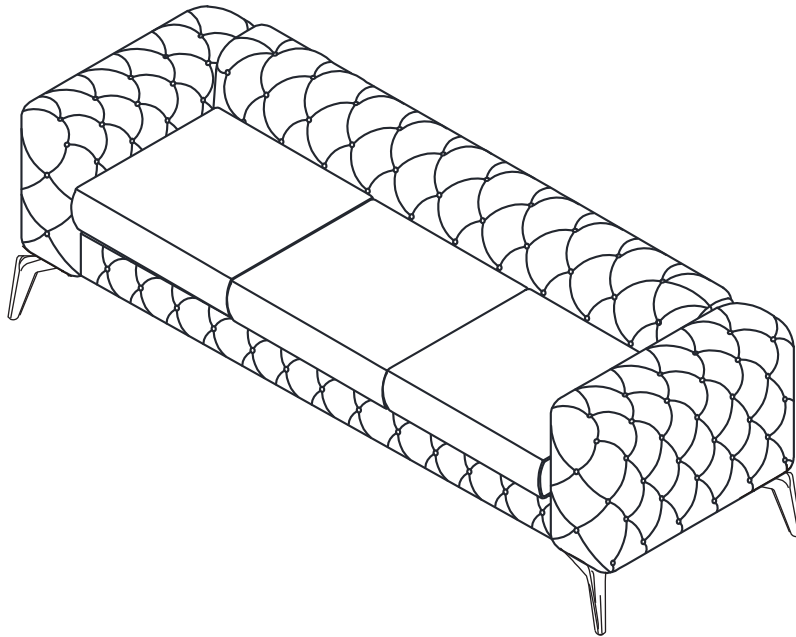
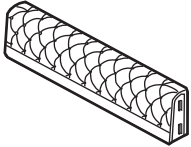

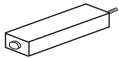
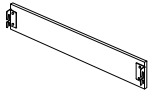

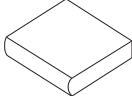
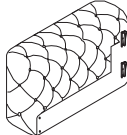
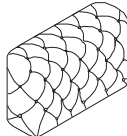


ASSEMBLY INSTRUCTIONS

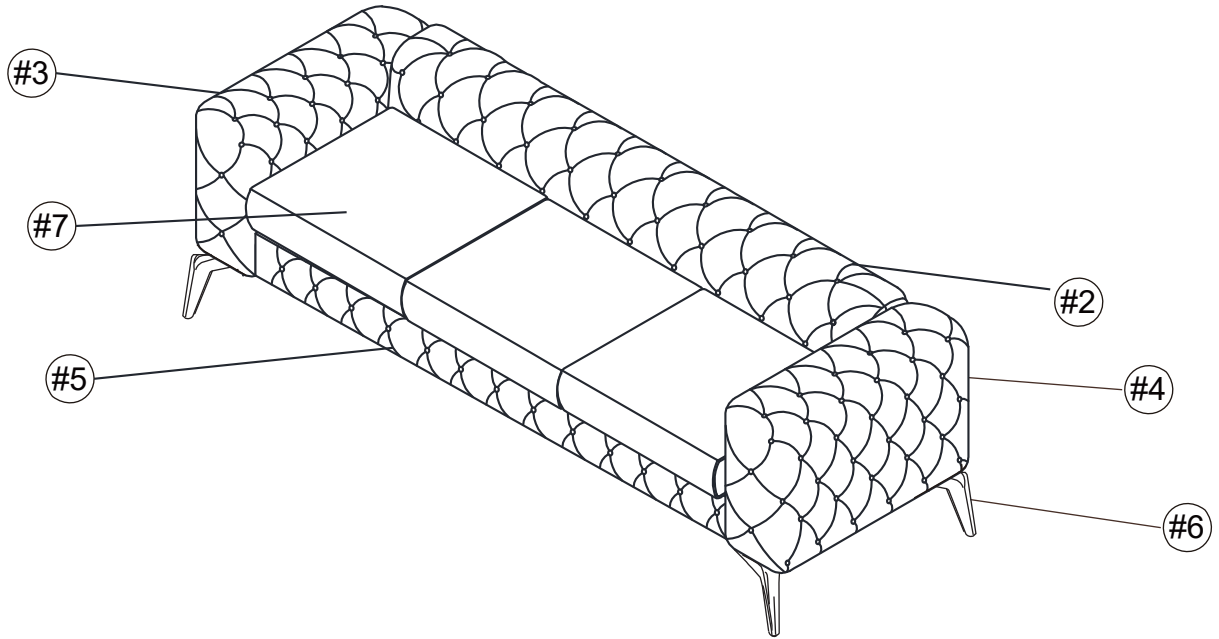
3 SEATER SOFA




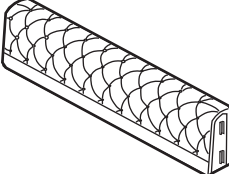

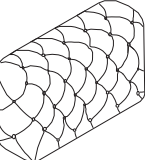
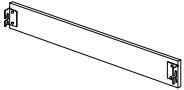
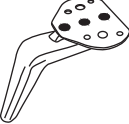
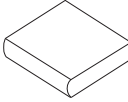
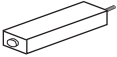
3 SEATER SOFA is packed in 3 cases

| Carton | Disignation | Part | Hardware |
|--------|--------------|--|----------------|
| 1/3 | Backrest | #2  | #A #B #C #D |
| | Leg | #6  | |
| | Support leg | #8  | |
| | Former board | #5  | |
| 2/3 | Riser plate | #1  | |
| | Cushion | #7  | |
| 3/3 | Left arm | #3  | |
| | Right arm | #4  | |





ASSEMBLY INSTRUCTIONS



PARTS

| | | | |
|---|--|---|--|
| <p>#1 1pc</p>  | <p>#2 1pc</p>  | <p>#3 1pc</p>  | <p>#4 1pc</p>  |
| <p>RISER PLATE</p> | <p>BACKREST</p> | <p>LEFT ARM</p> | <p>RIGHT ARM</p> |
| <p>#5 1pc</p>  | <p>#6 4pcs</p>  | <p>#7 3pcs</p>  | <p>#8 3pcs</p>  |
| <p>FORMER BOARD</p> | <p>LEG</p> | <p>CUSHION</p> | <p>SUPPORT LEG</p> |

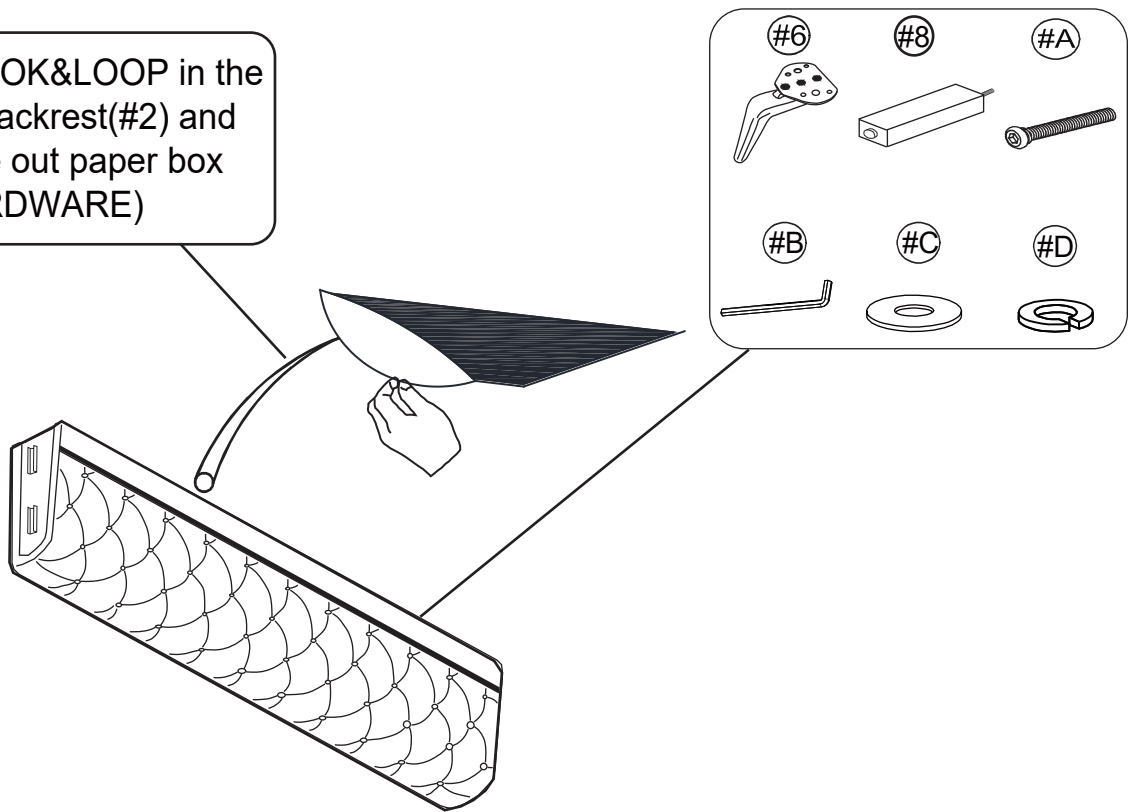
HARDWARE

| | | | |
|--|--|---|--|
| <p>#A 12 pcs</p>  | <p>#B 1 pc</p>  | <p>#C 12 pcs</p>  | <p>#D 12 pcs</p>  |
| <p>BOLT 1 -1/2" L</p> | <p>ALLEN KEY 4mm L</p> | <p>FLAT WASHER 16mm</p> | <p>SPRING WASHER</p> |

ASSEMBLY INSTRUCTIONS

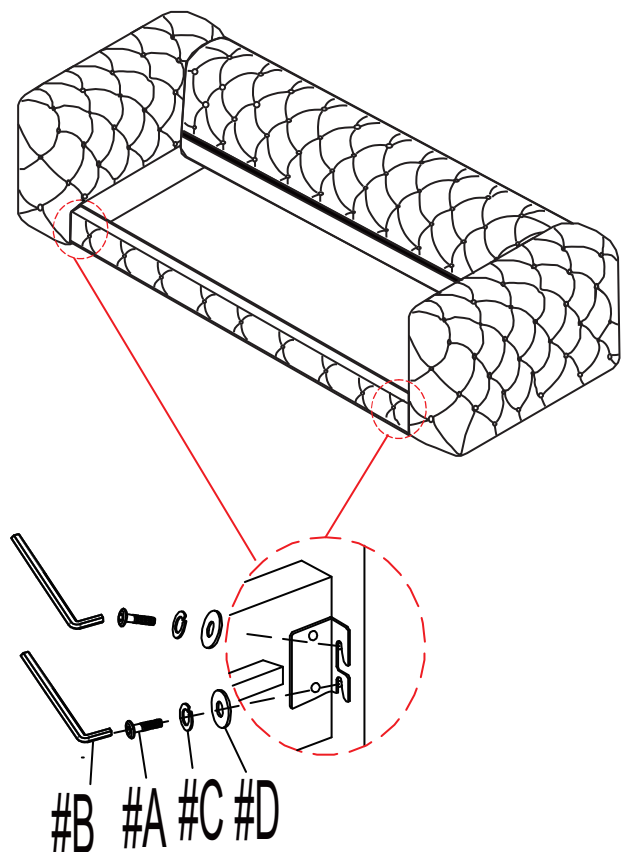
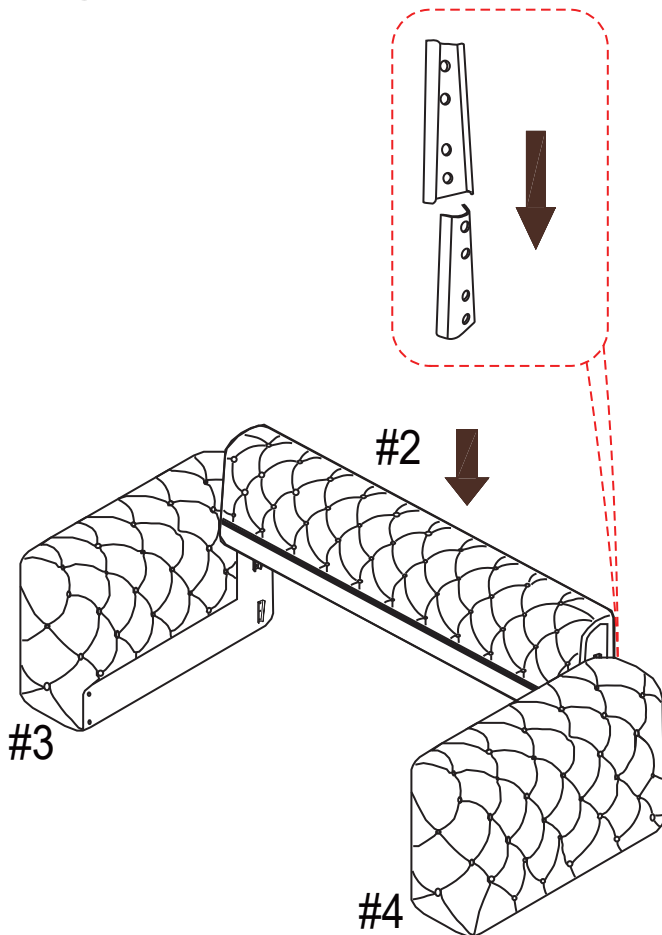
STEP1:

Pull the HOOK&LOOP in the bottom of backrest(#2) and open it,take out paper box (#6,#8,HARDWARE)



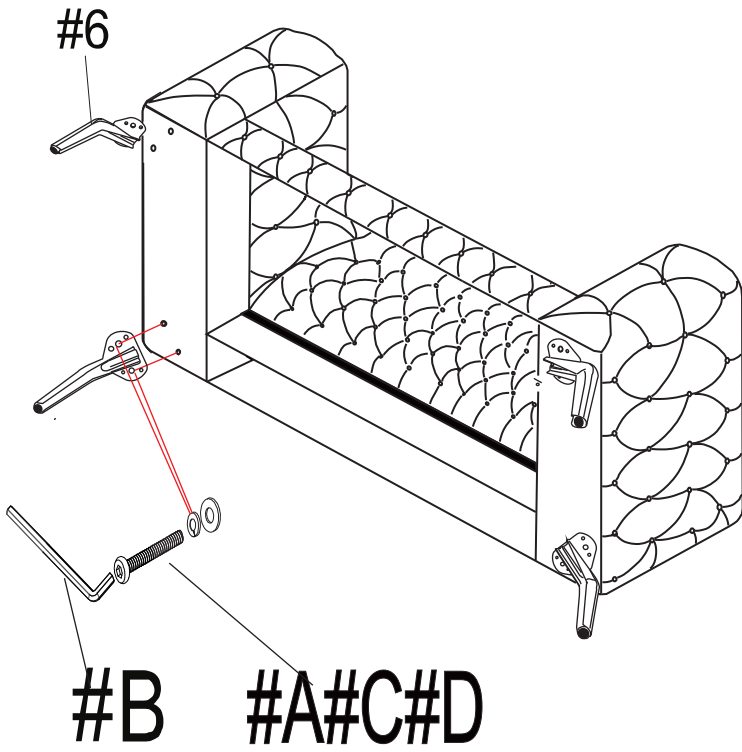
STEP2:

STEP3:

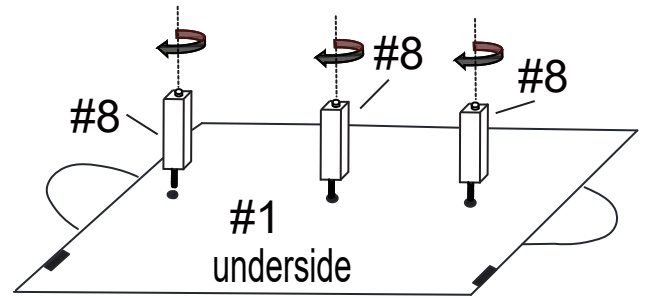


ASSEMBLY INSTRUCTIONS

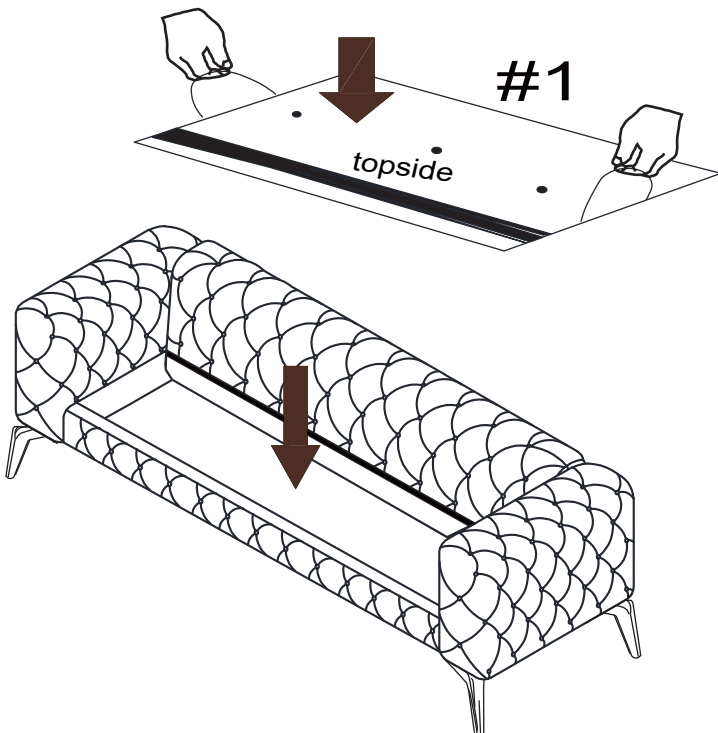
STEP4:



STEP5:



STEP6:



STEP7:

