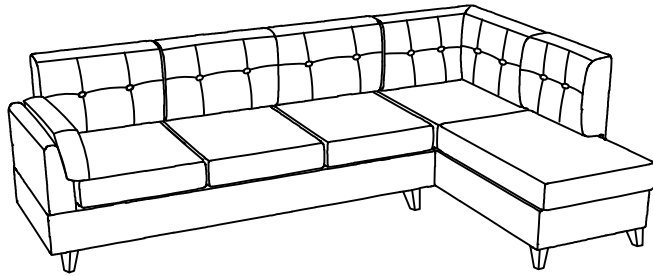


# ASSEMBLY INSTRUCTION

ITEM: WF297397 - SOFA  
WF297398 - CHAISE

Please allow at least 24 hours for the cushions to recover to its natural state after removing from the package.



## PARTS LIST OF WF297397 BOX

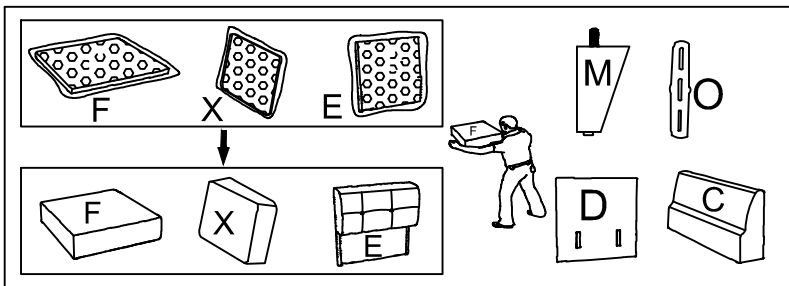
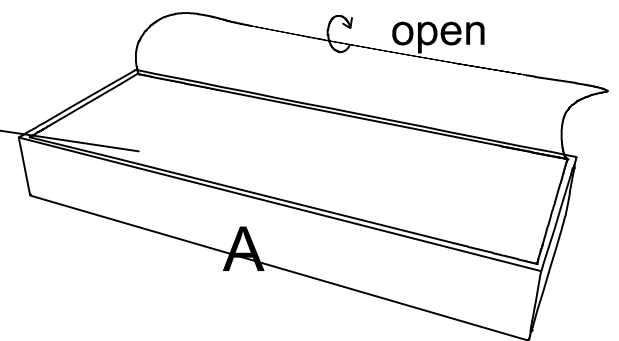
<b>A</b>	3-SEATER SEAT		x1
<b>C</b>	ARM		x1
<b>D</b>	BACK REST		x3
<b>E</b>	BACK CUSHION		x3
<b>F</b>	SEAT CUSHION		x3
<b>M</b>	WOOD LEGS		x8
<b>O</b>	METAL SUPPORT		x2
<b>X</b>	ARM CUSHION		x1

## PARTS LIST OF WF297398 BOX

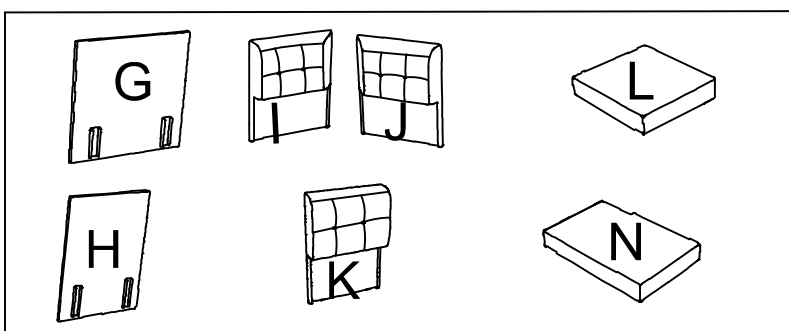
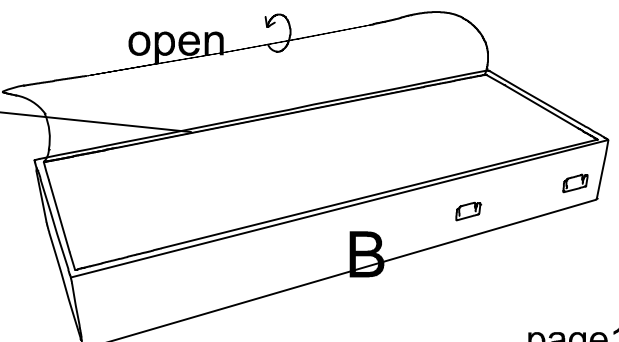
<b>B</b>	CHAISE SEAT		x1
<b>G</b>	CHAISE BACK REST		x2
<b>H</b>	CHAISE BACK REST		x1
<b>I</b>	CHAISE BACK CUSHION		x1
<b>J</b>	MIDDLE BACK CUSHION		x1
<b>K</b>	FRONT BACK CUSHION		x1
<b>L</b>	BACK SEAT CUSHION		x1
<b>N</b>	FRONT SEAT CUSHION		x1

Open up Velcro of Non-Woven Fabric cover on the bottom of the frame to remove HARDWARE and legs .  
Please allow at least 24 hours for the cushions to recover to its natural state after removing from the package.

WF297397 BOX

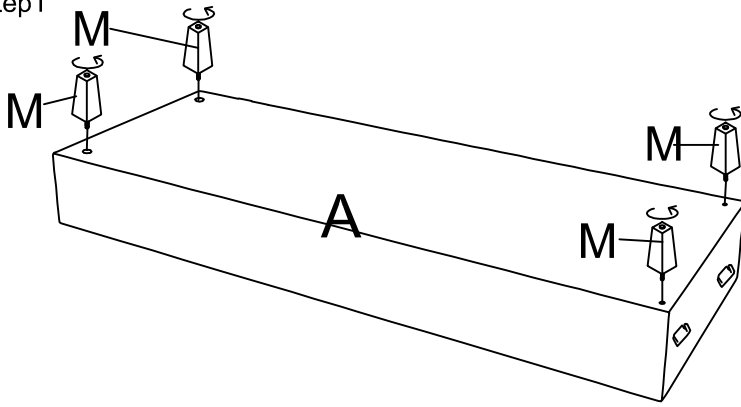


WF297398 BOX

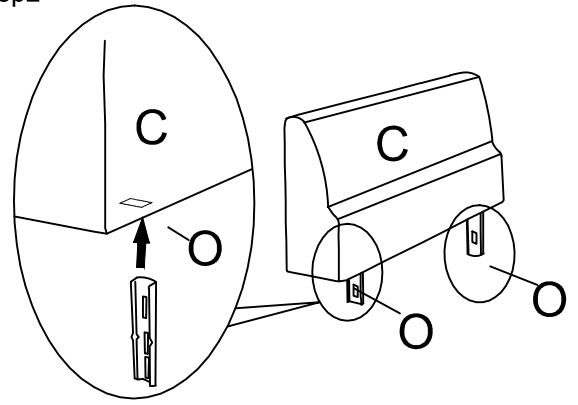


# ASSEMBLY INSTRUCTION

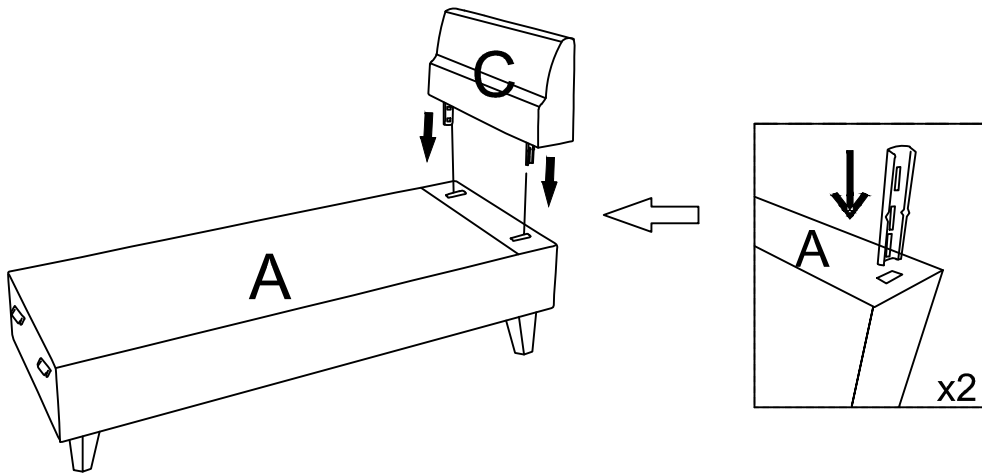
Step1



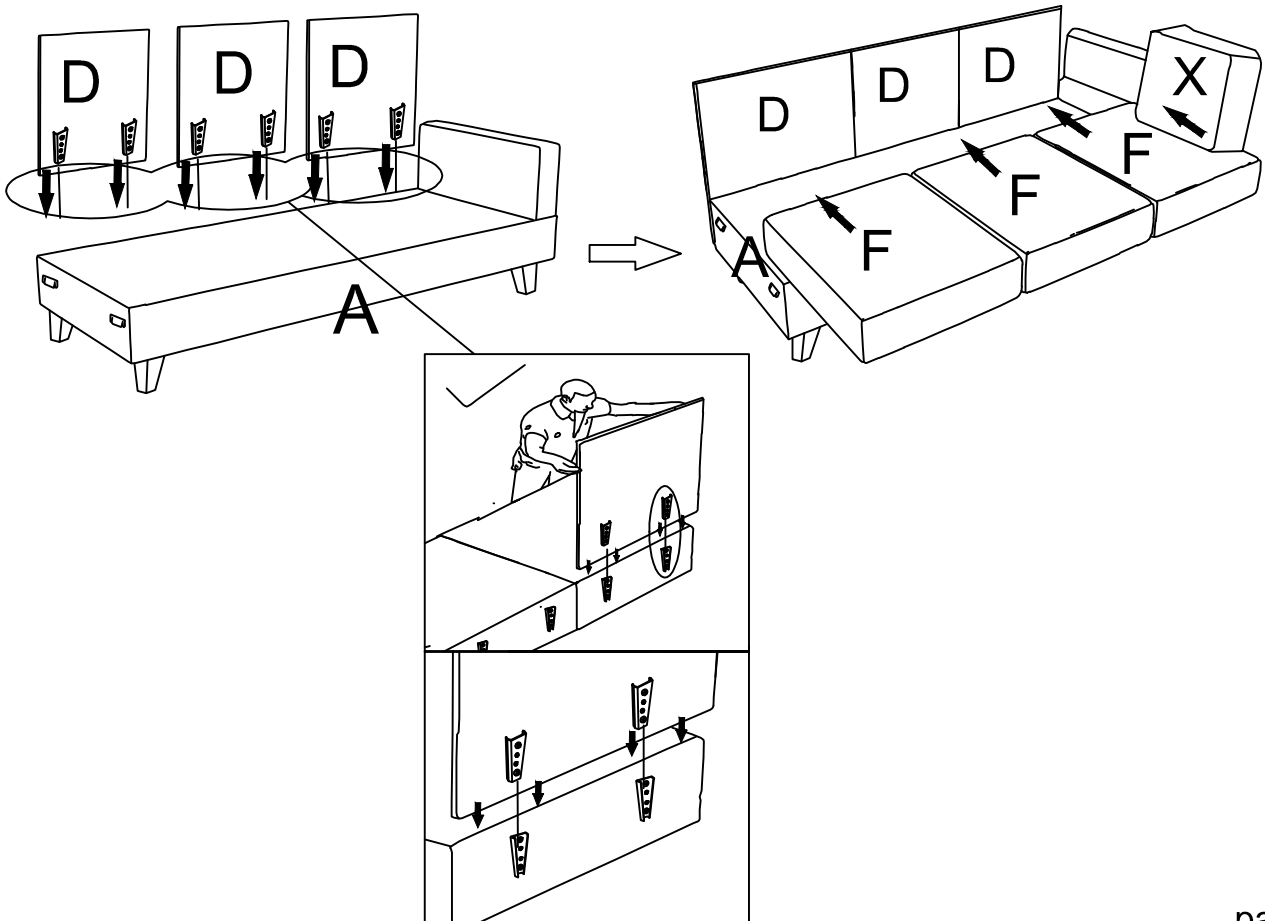
Step2



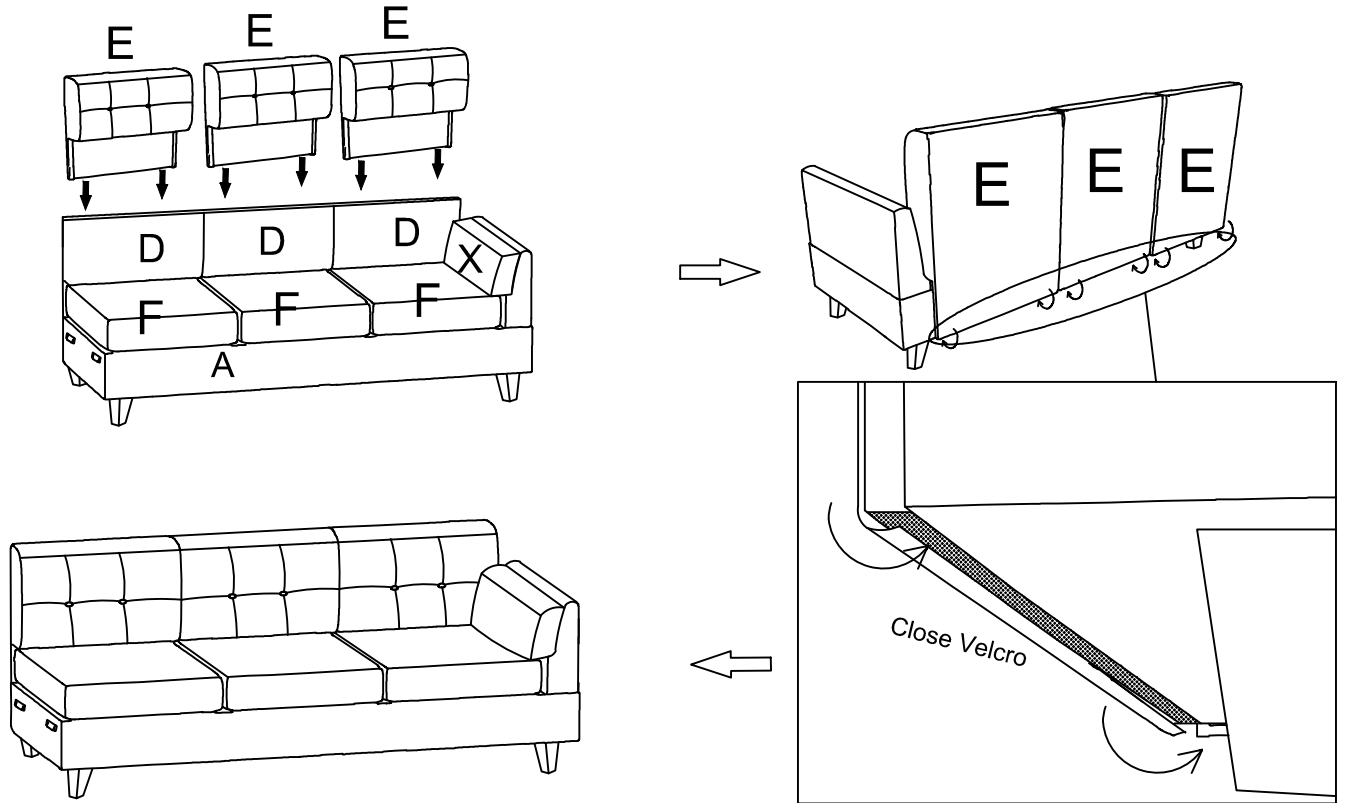
Step3



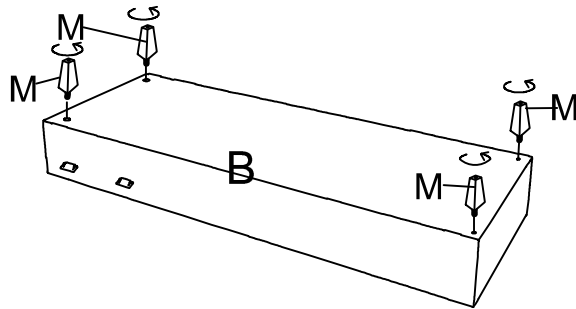
Step4



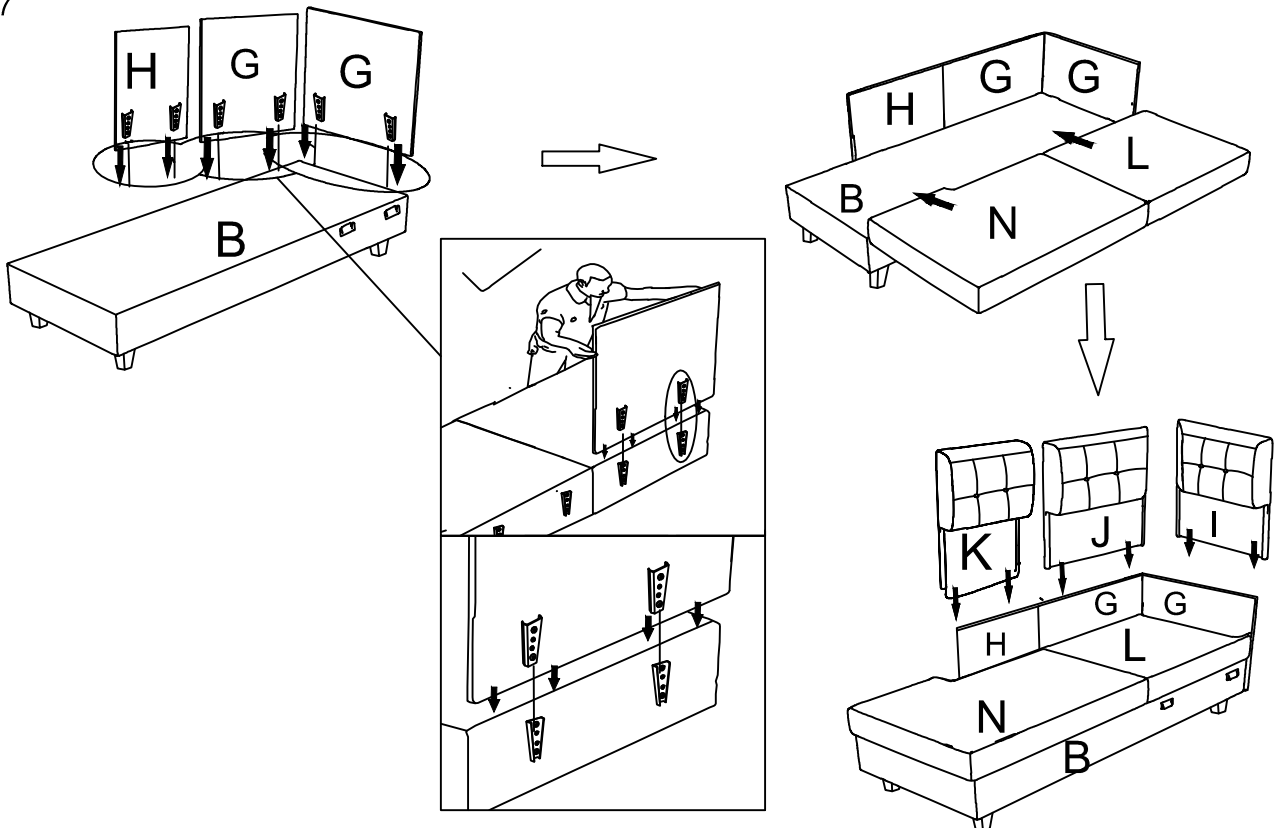
Step5



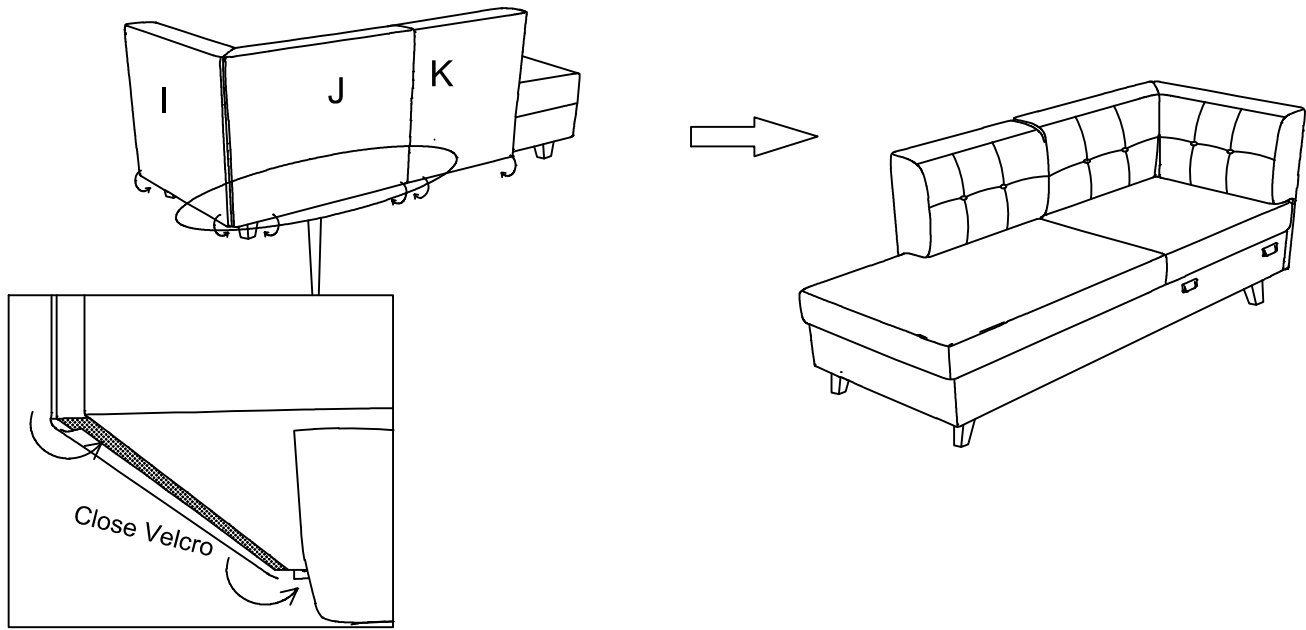
Step6



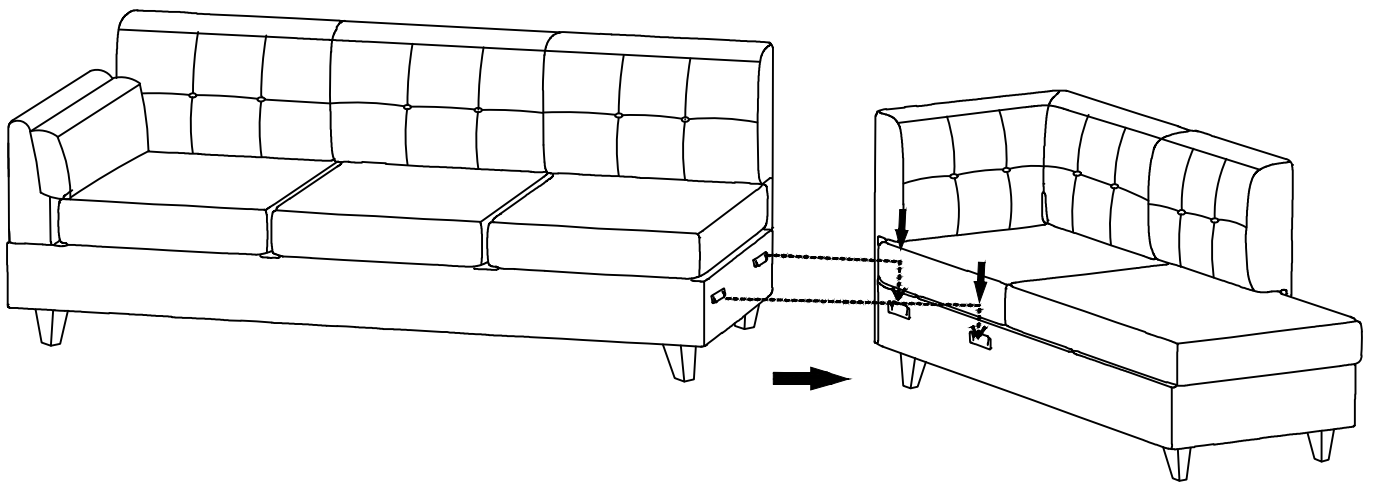
Step7



Step8



Step9



Step10

Assembly Completed!

