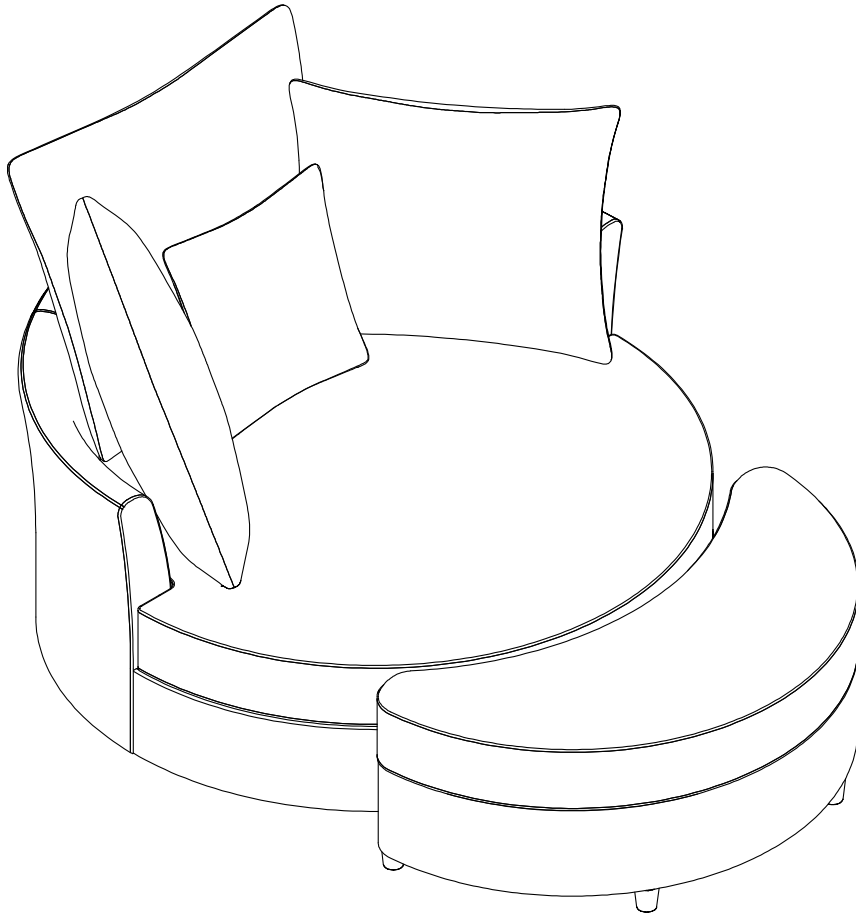
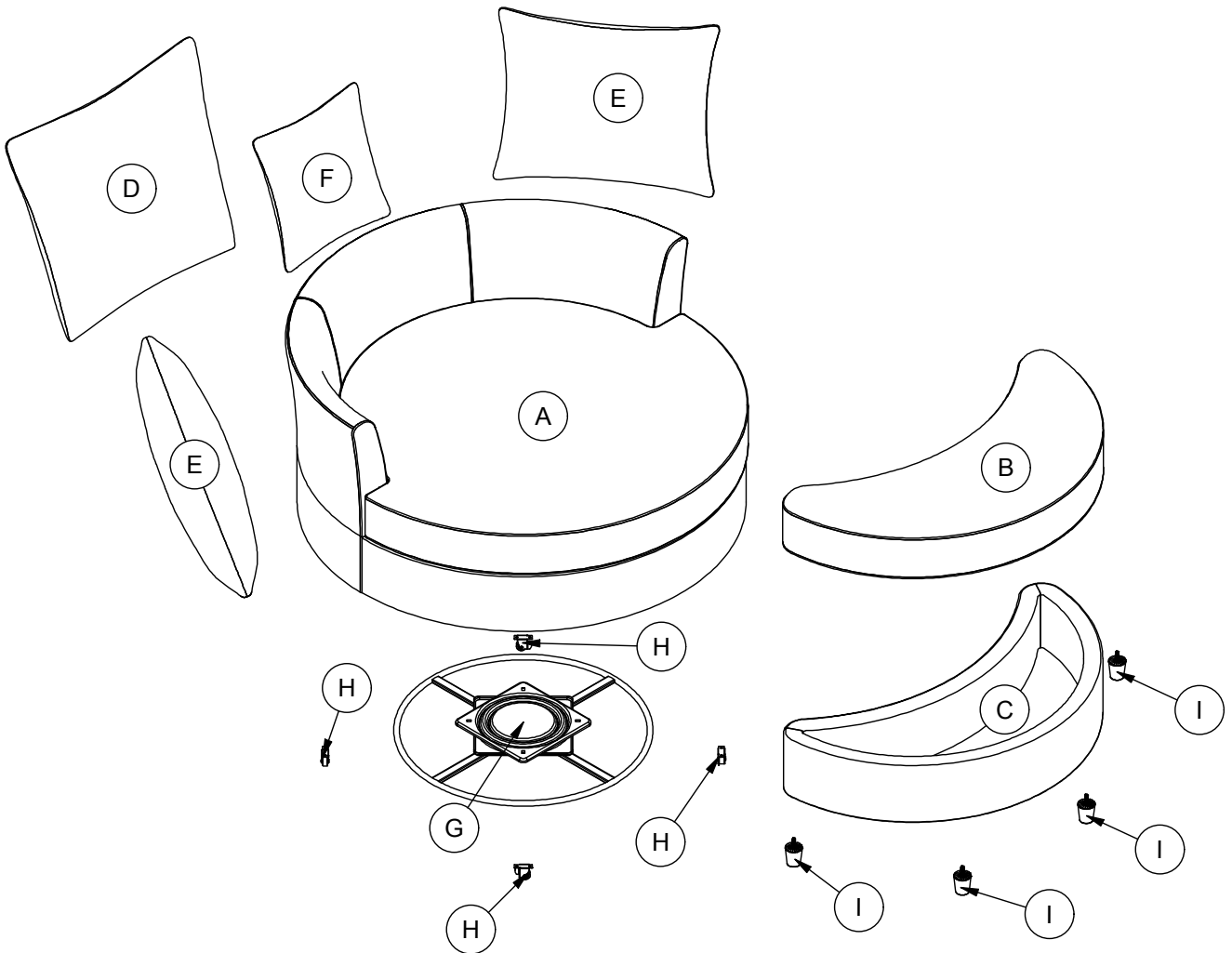


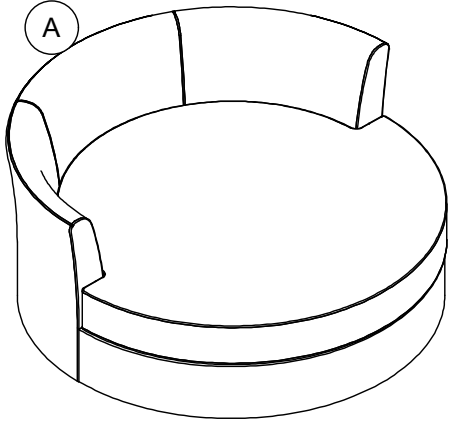
Assembly Instruction



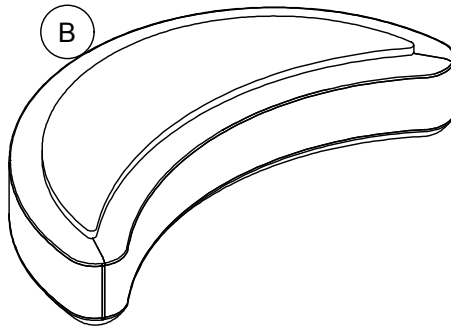
PARTS



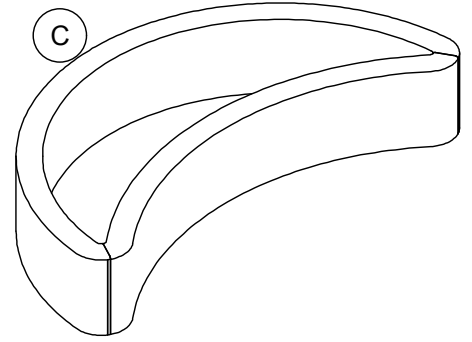
PARTS LIST



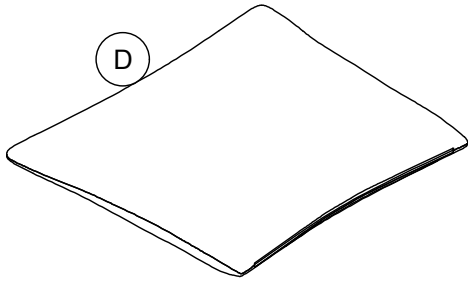
Sofa Seat
1 PC



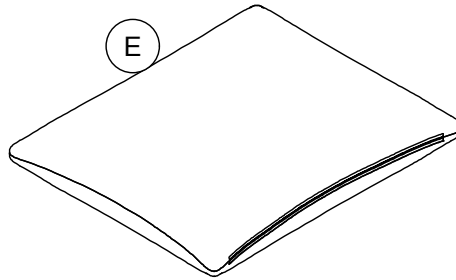
Ottoman Seat
1 PC



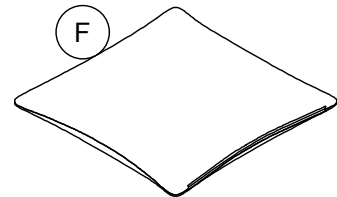
Ottoman Base
1 PC



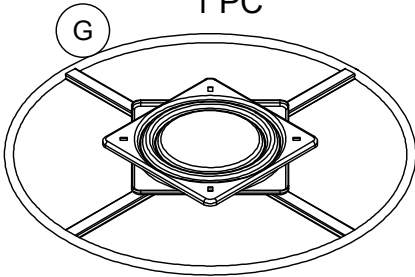
Back Cushion
1 PC



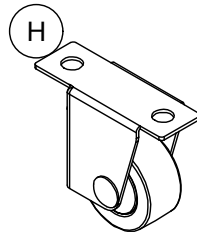
Side Cushion
2 PCS



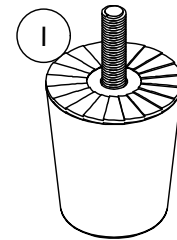
Pillow
1 PC



Swivel
1 PC

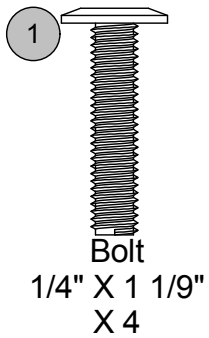


Wheel
4 PCS

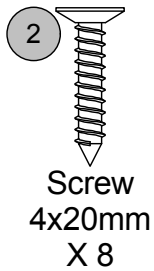


Ottoman Leg
4 PCS

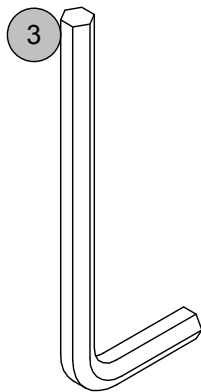
HARDWARE



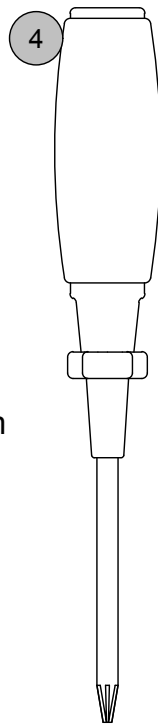
Bolt
1/4" X 1 1/9"
X 4



Screw
4x20mm
X 8




Allen Key 4mm
X 1

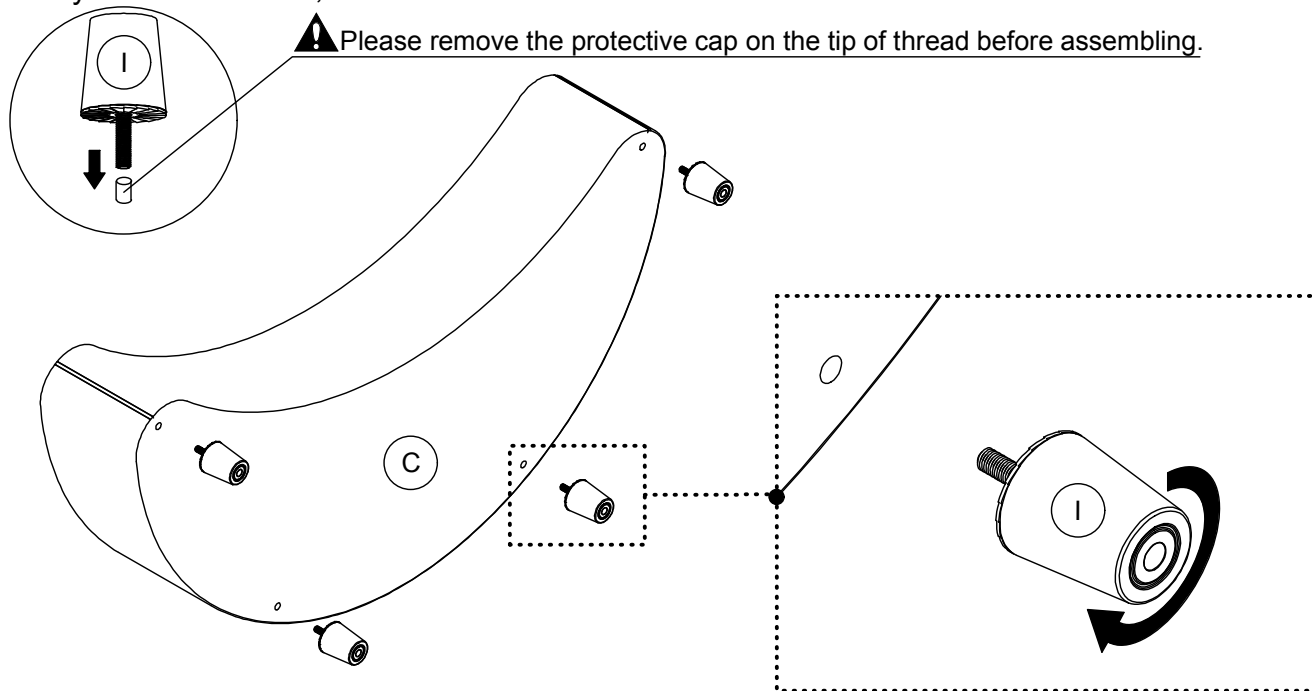


Screwdriver
X 1

Step 1:

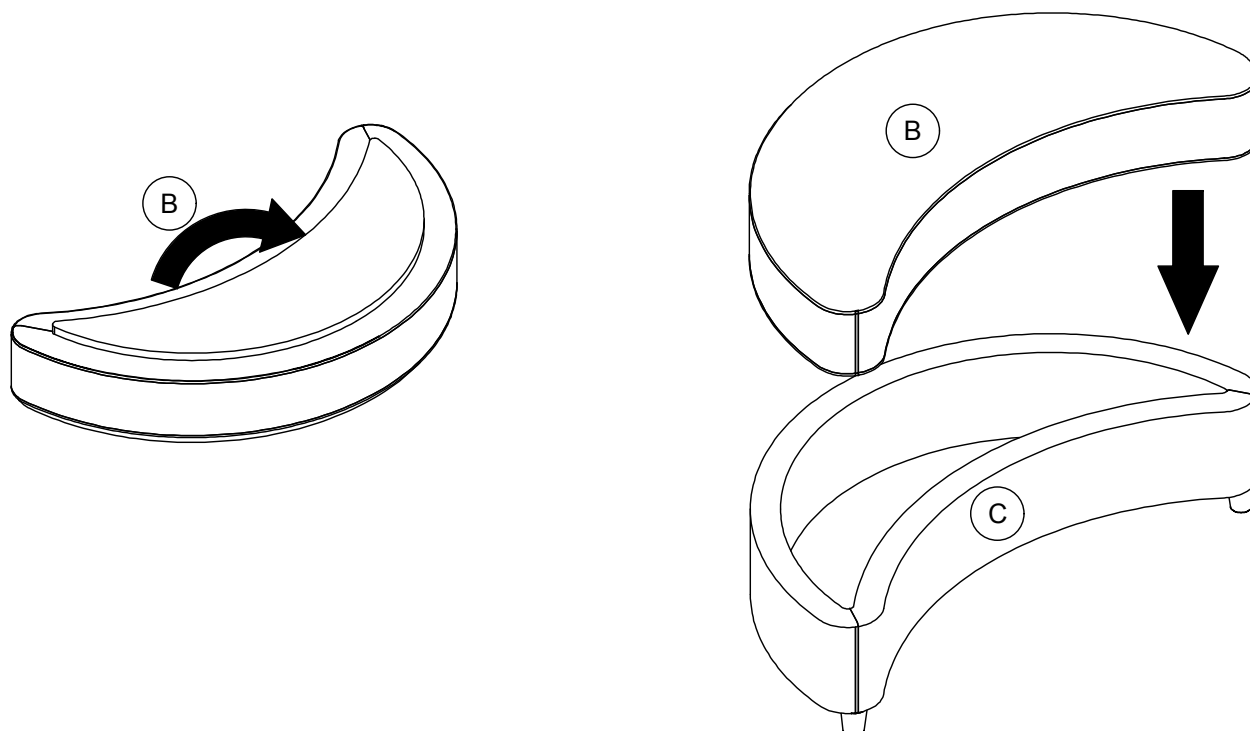
Manually screw I x 4 to C, as shown.

 Please remove the protective cap on the tip of thread before assembling.

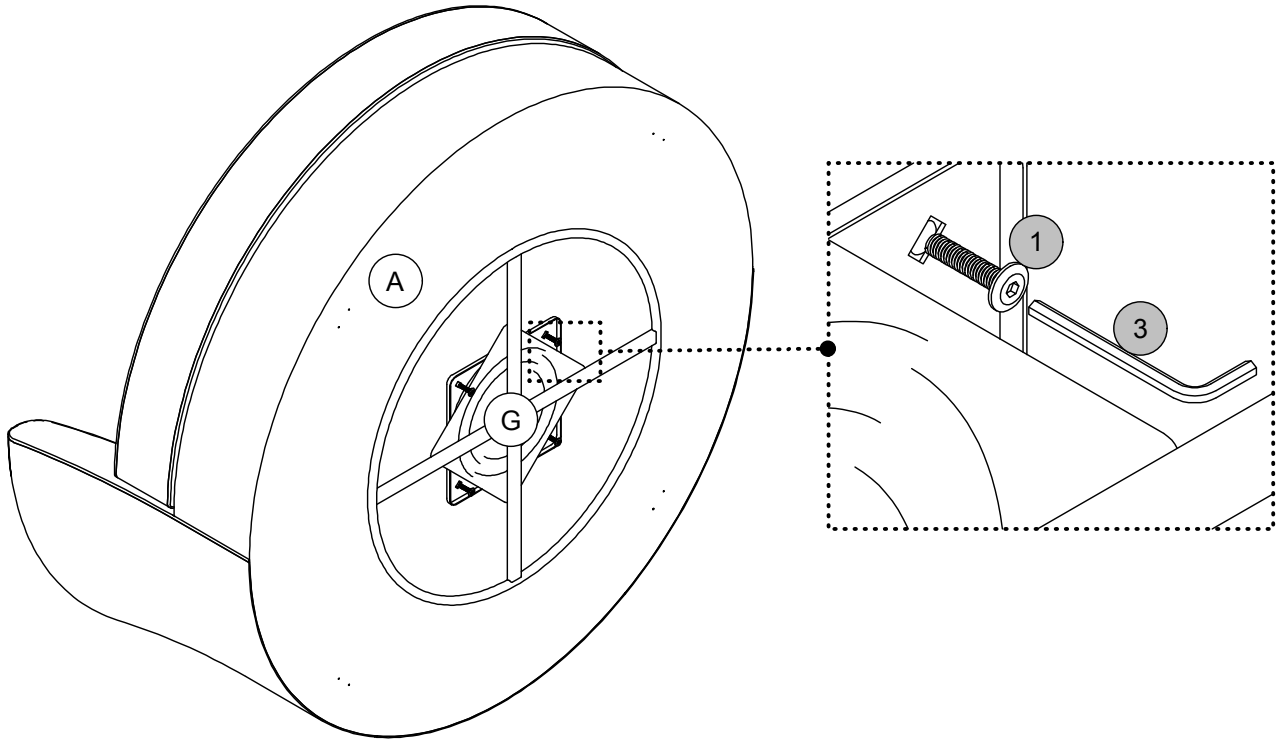


Step 2:

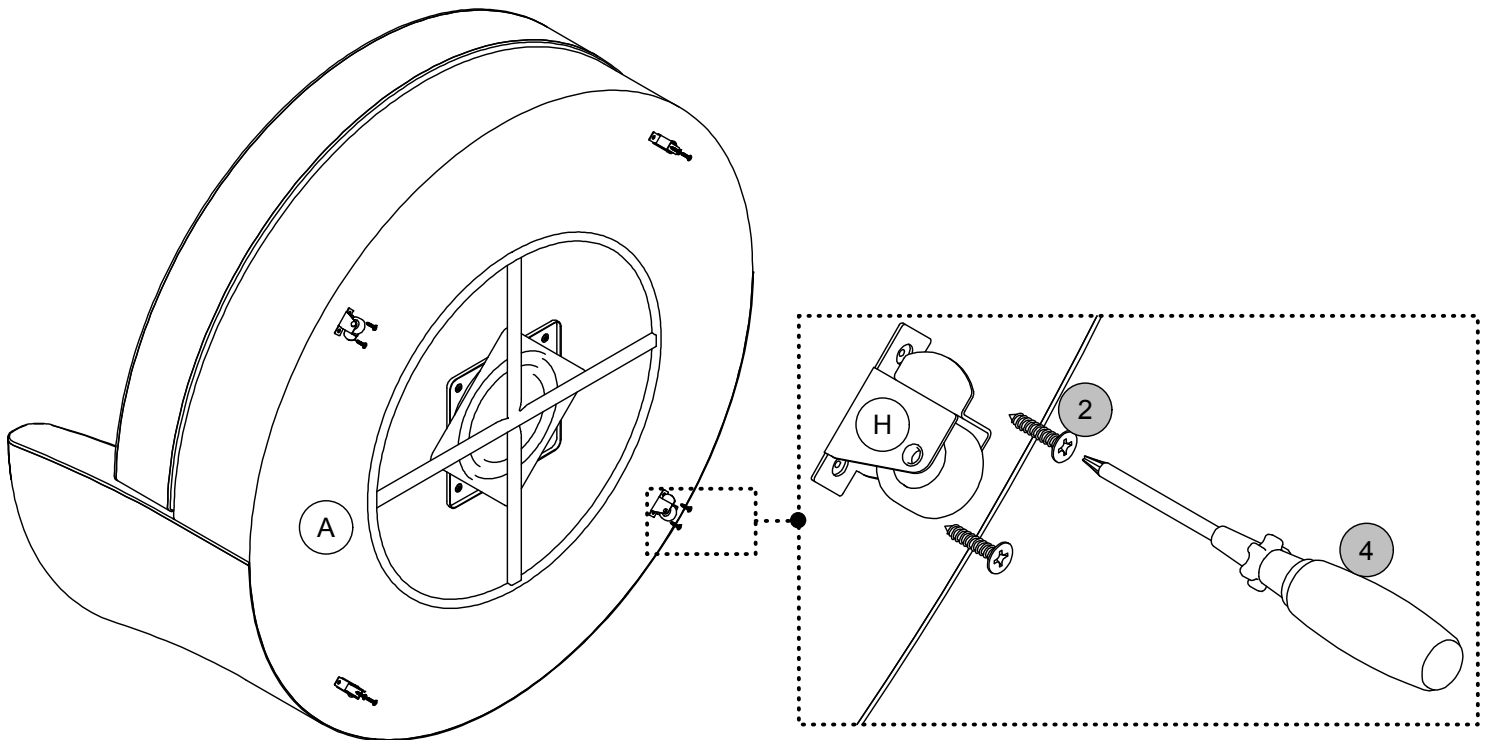
Put B onto C, as shown.



Step 3:
Attach **G** to **A** with **1**, as shown.

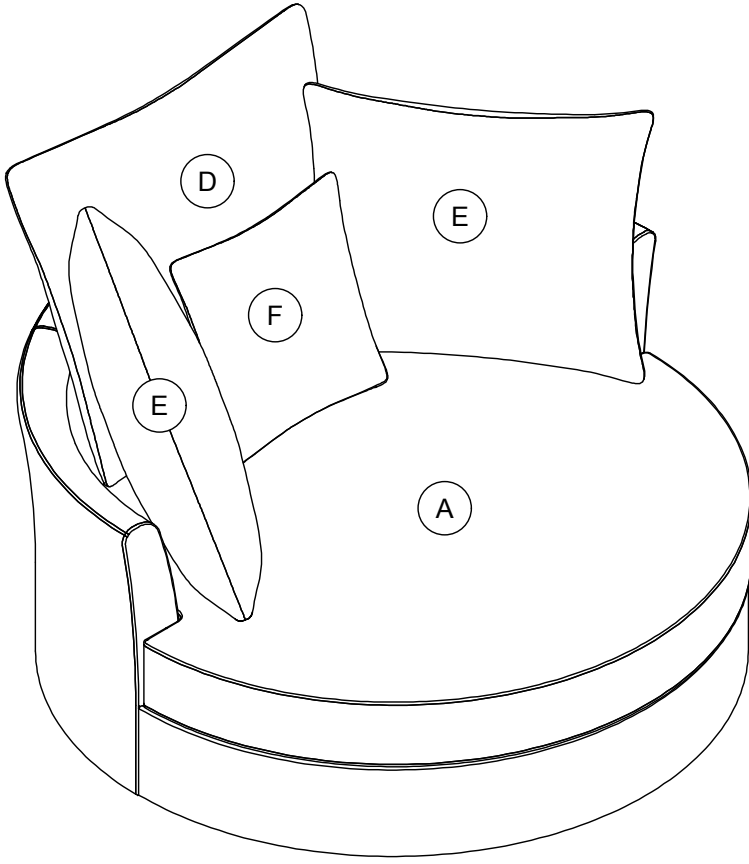


Step 4:
Attach **H** x 4 to **A** with **2**, as shown.



Step 5:

Put **D**, **E** x 2 & **F** onto **A**, as shown.



Helpful Hints

- Move your new furniture carefully, with two people lifting and carrying the unit to its new location.
- Your furniture can be disassembled and reassembled to move.
- Clean the product with a soft damp cloth. DO NOT use harsh chemicals or abrasive cleaners.

