

# **ASSEMBLY INSTRUCTION**

---

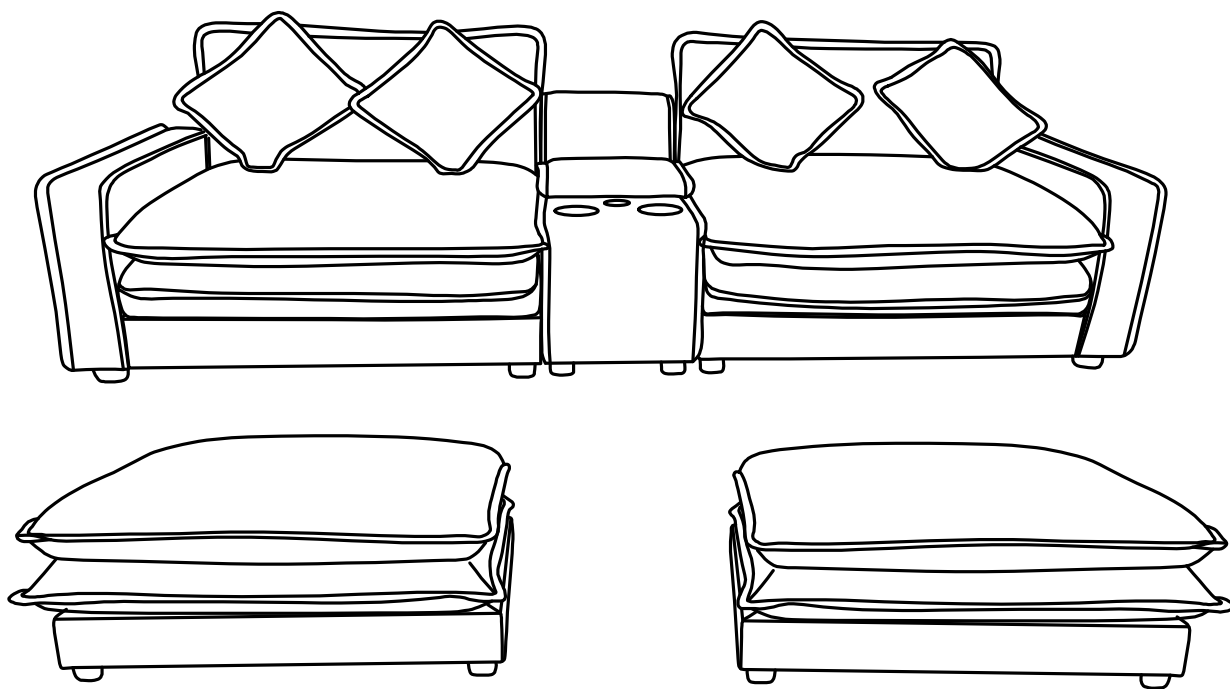
WF321051 (X2)

WF321052

WF310153

## Friendly Reminder:

- 1.This sofa is packed in 4 boxes. Please assemble it After all boxes are received.
- 2.As the cushions are all vacuum compressed,there will be some wrinkles. Please give your cushions up to 72 hours to reach its original size and the wrinkles will basically disappear.
- 3.Please do not open the compressed packages until your sofa frame is completely assembled.



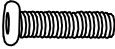



## Return & Warranty policy:


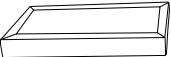


- We strive to offer the highest quality products,and we also try our best to satisfy each and every customer that orders from us with replacement parts or service as needed.
- If the item is damaged or defective, please take photos as evidence for replacements and refunds.
- Please do not return to store,contact the seller if you have any troubles with this product.

# ASSEMBLY INSTRUCTION

## HARDWARE

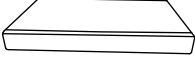
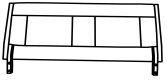

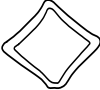

NO	DESCRIPTION	SKETCH	QTY
1	Washer		20
2	Gasket		20
3	Screws 8X60		20
4	Wrench		1

## PARTS LIST WF321051(X2)




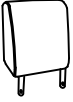


NO	DESCRIPTION	SKETCH	QTY
D	Seat cushion		1
H	Ottoman frame		1
I	Ottoman cushion		1
N	Leg		4

# ASSEMBLY INSTRUCTION

## PARTS LIST WF321052

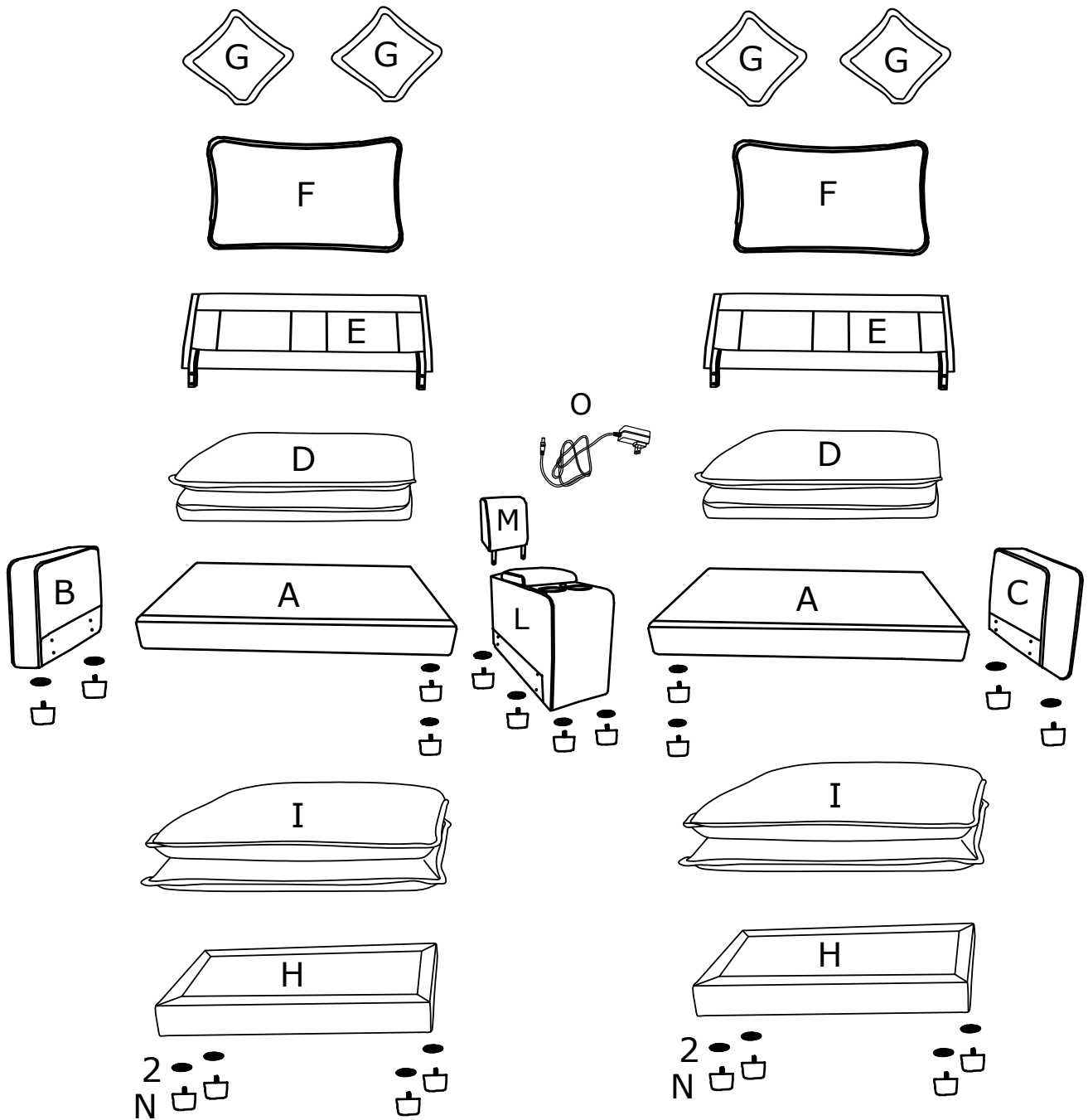
NO	DESCRIPTION	SKETCH	QTY
A	Seat frame		2
E	Back frame		2
F	Back cushion		2
G	Pillow		4
N	Leg		8

## PARTS LIST WF321053

NO	DESCRIPTION	SKETCH	QTY
B	Armrest (left)		1
C	Armrest (right)		1
L	Console		1
M	Back frame of console		1
N	Leg		4
O	Plug		1

# ASSEMBLY INSTRUCTION

All parts and hardwares.



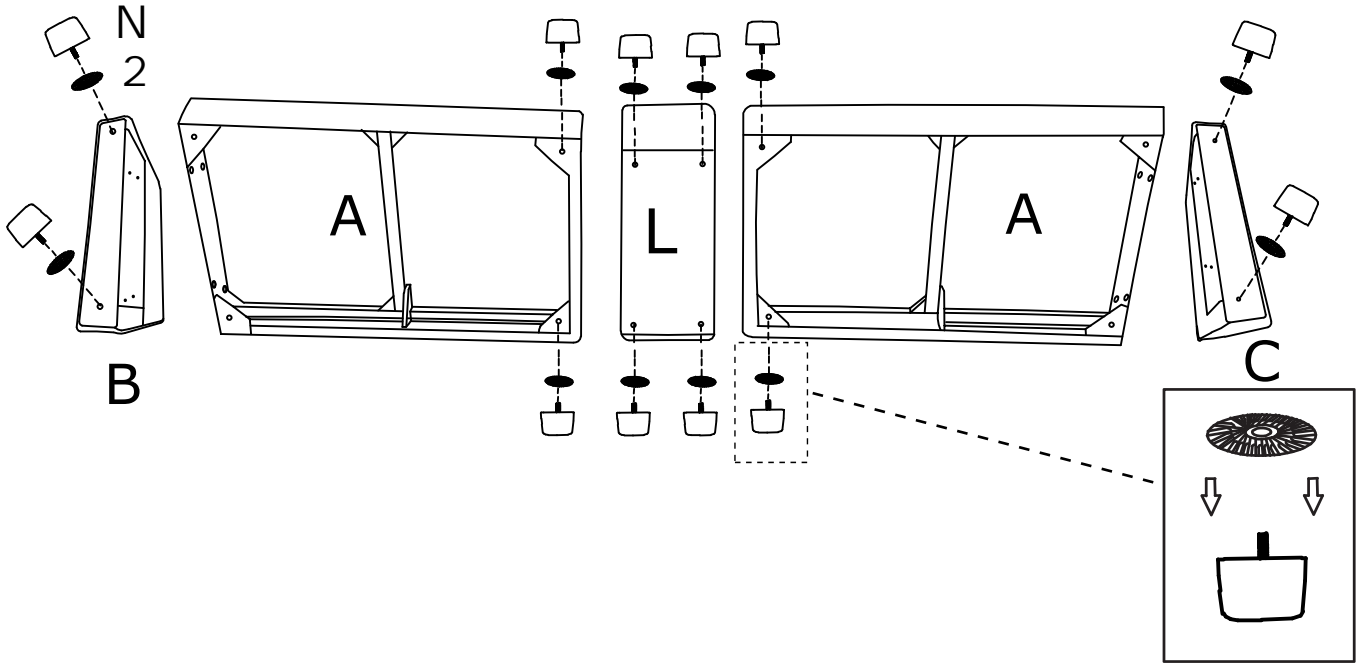
**DIAGRAM 1** (Assemble the Leg)

2



12PCS

Assemble the Legs (Part N) on the and Seat frame (Part A) Left Armrest (Part B) and Right Armrest (Part C) and Console (Part L) with Gaskets (Hardware 2) .



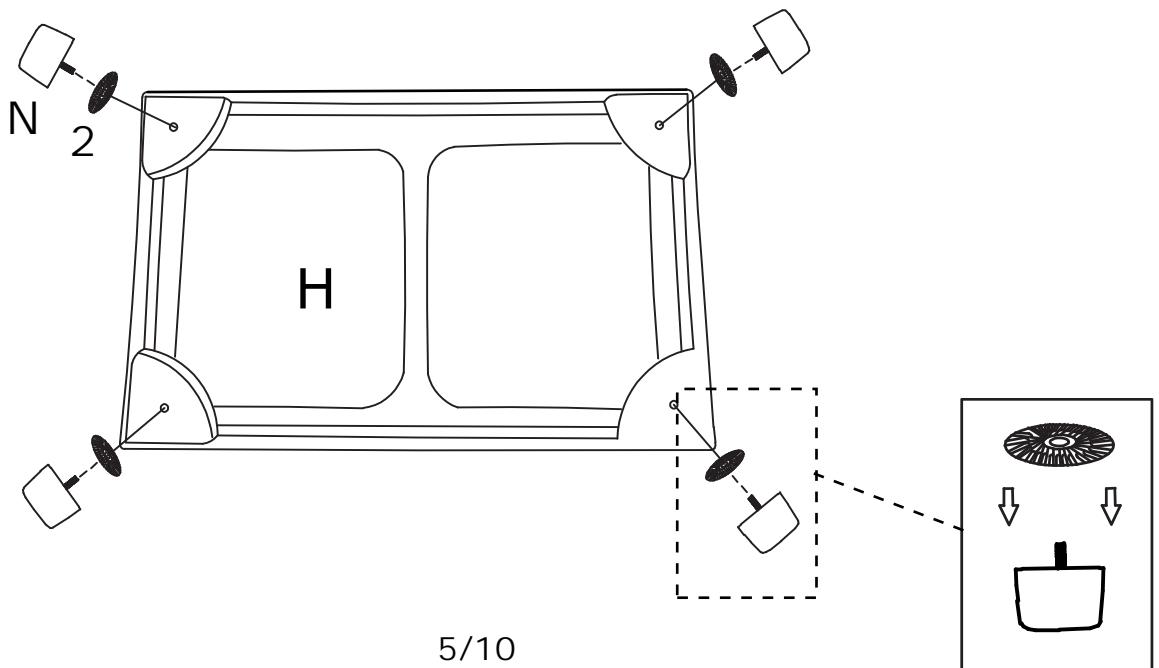
**DIAGRAM 2** (Assemble the Leg)

2


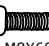


4PCS

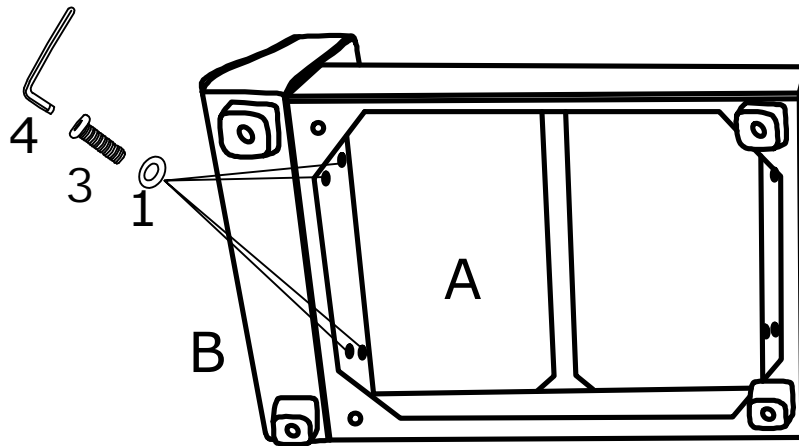
Assemble the Legs (Part N) on the Ottoman frame (Part H) with Gaskets (Hardware 2) .





**DIAGRAM 3** (Assemble the Armrest)

1		4PCS
3	 M8X60	4PCS

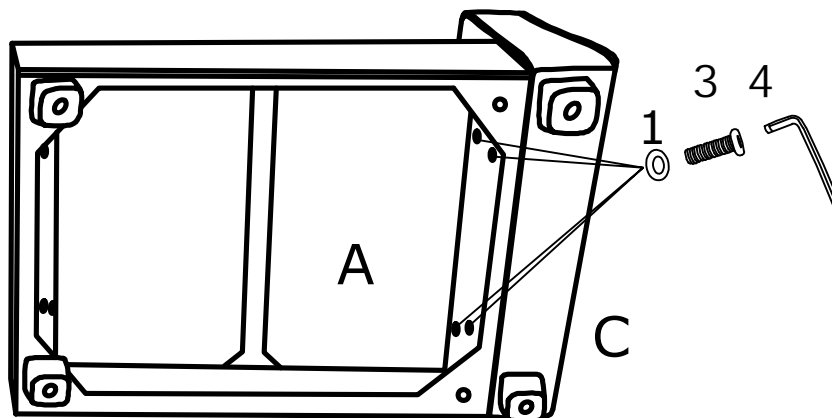
Assemble the Left armrest (Part B) on the Seat frame (Part A) with Washers (Hardware 1) and Screws (Hardware 3).





**DIAGRAM 4** (Assemble th Armrest (left))

1		4PCS
3	 M8X60	4PCS

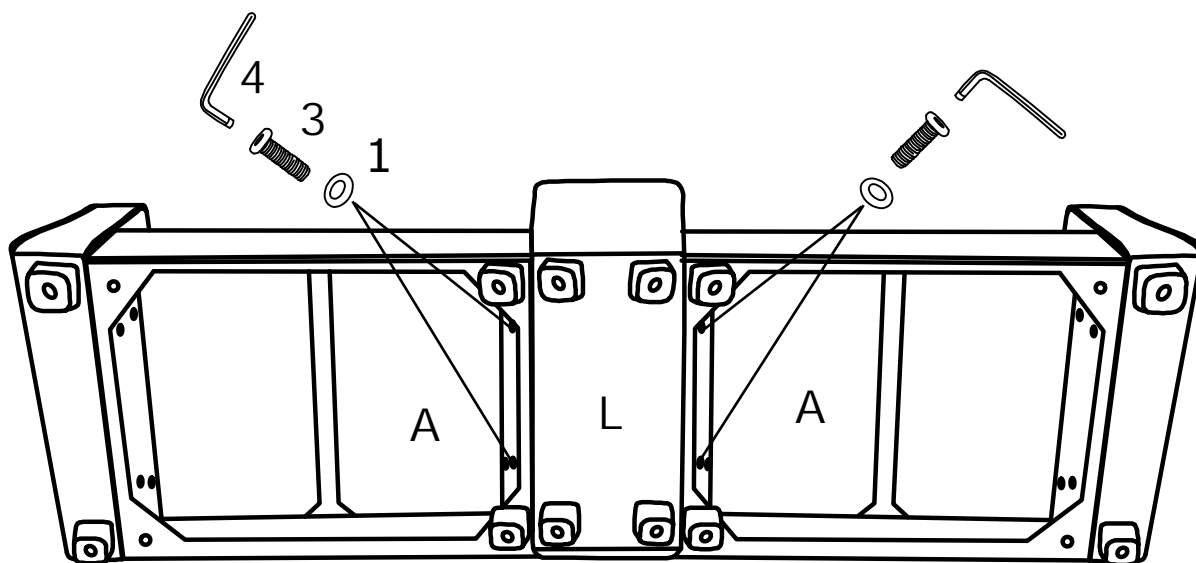
Assemble the Right Armrest (Part C) on the Seat frame (Part A) with Washers (Hardware 1) and Screws (Hardware 3).





**DIAGRAM 5** (Assemble the Console)

1		4PCS
3	 M8X60	4PCS

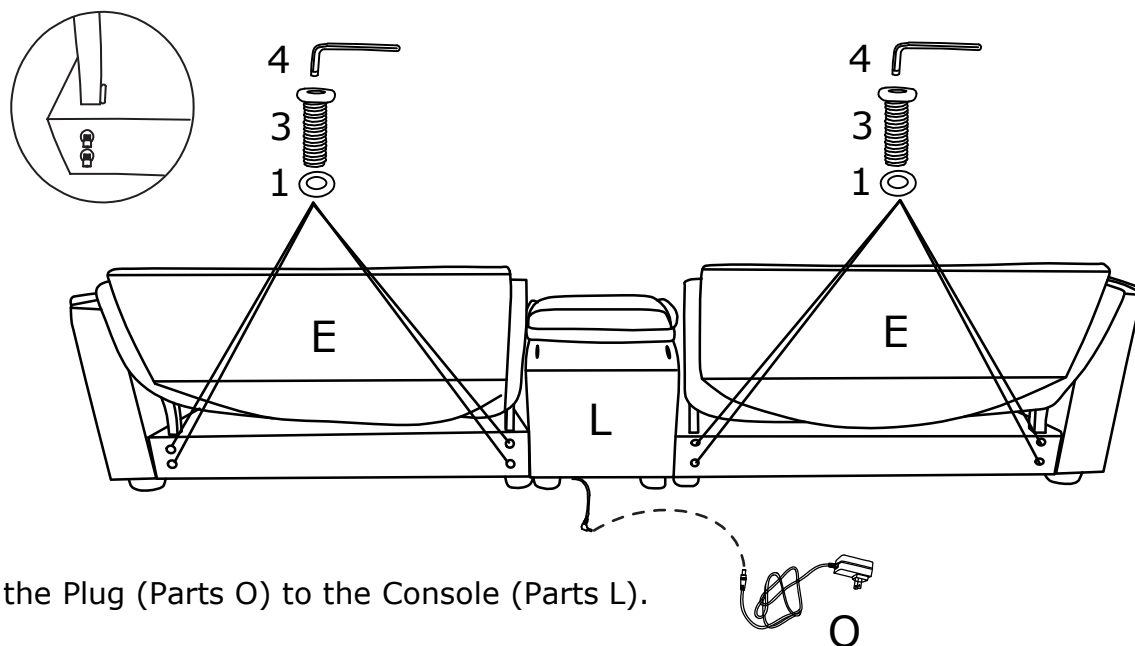
Attach the Console (part L) to the Seat frame (part A) with Washers (Hardware 1) and Screws (Hardware 3).



**DIAGRAM 6** (Assemble the Back frame)

1		8PCS
3	 M8X60	8PCS

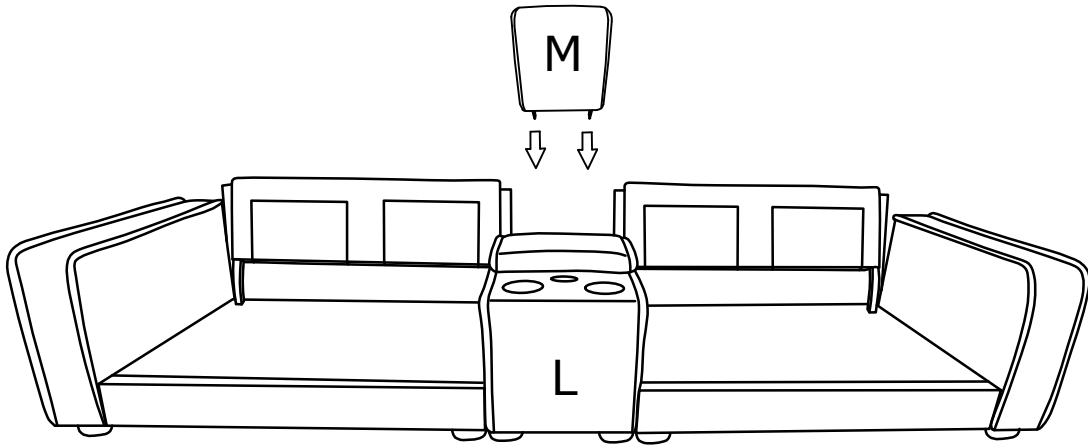
Assemble the Back frame (Part E) into the designated holes, using Washers (Hardware 1) and Screws (Hardware 3) to 70% tightness, and then tighten the all Bolts on the seat.



Connect the Plug (Parts O) to the Console (Parts L).

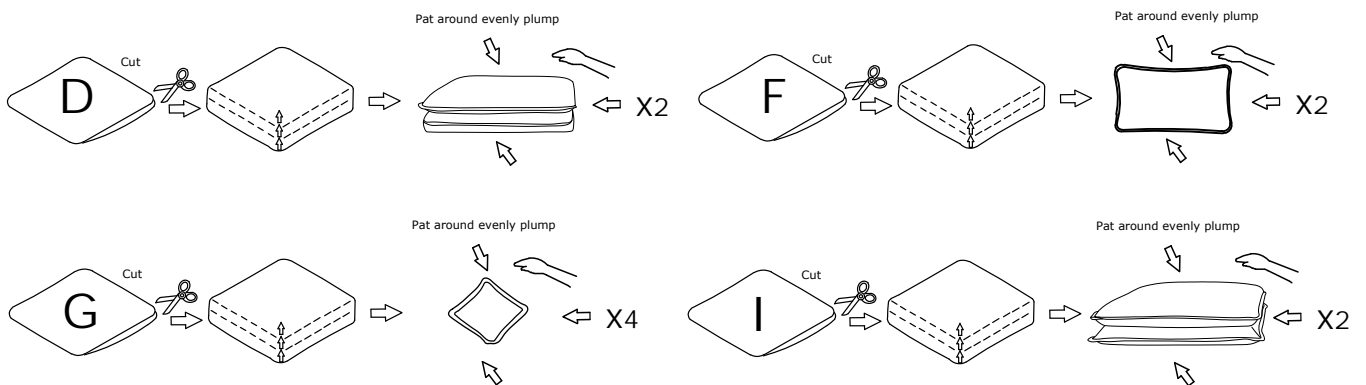
## DIAGRAM 7 ( Assemble the Back frame of console)

Insert the Back frame of console rear frame (part M) into the rear holes of the Console (part L).



## DIAGRAM 8 ( Removal of compression bags )

Remove the Seat cushion (Part D) the Back cushion (Part F) the the Pillow (Part G) Ottoman cushion (Part I) .



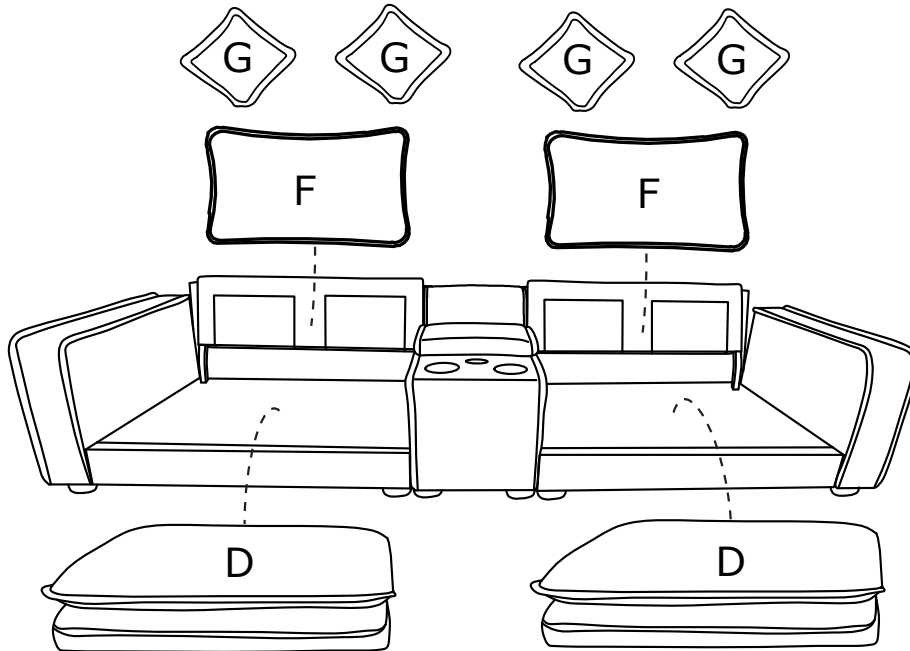
### TIPS

1. Please do not open the compressed packages until your sofa frame is completely assembled.
2. Compressed back cushions and pillows need to be fully fulfilled within 72 hours for your perfect use.
3. Please keep children away from plastic bags or any small pieces of stuff.



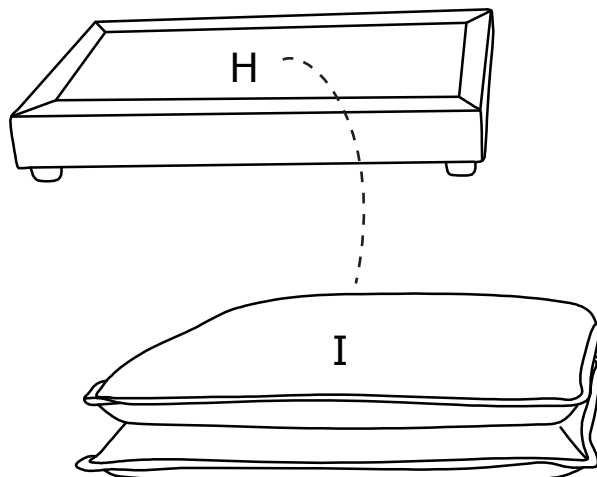
**DIAGRAM 9** ( Place the Cushion on the sofa)

Place the Seat cushion (Part D) and Back cushion (Part F) and Pillow (Part G) on the sofa.



**DIAGRAM 10** ( Put the Ottoman cushion)

Place the Ottoman cushion (Part I) on the Ottoman frame (Part H).



### TIPS

1. Please do not open the compressed packages until your sofa frame is completely assembled.
2. Compressed back cushions and pillows need to be fully fulfilled within 72 hours for your perfect use.
3. Please keep children away from plastic bags or any small pieces of stuff.

