
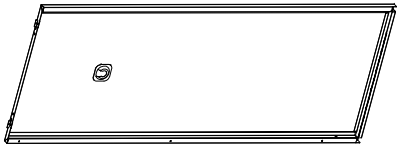
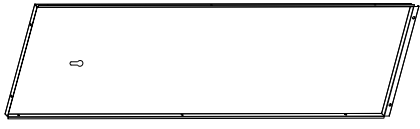
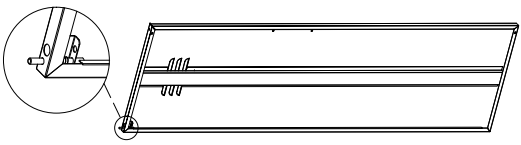
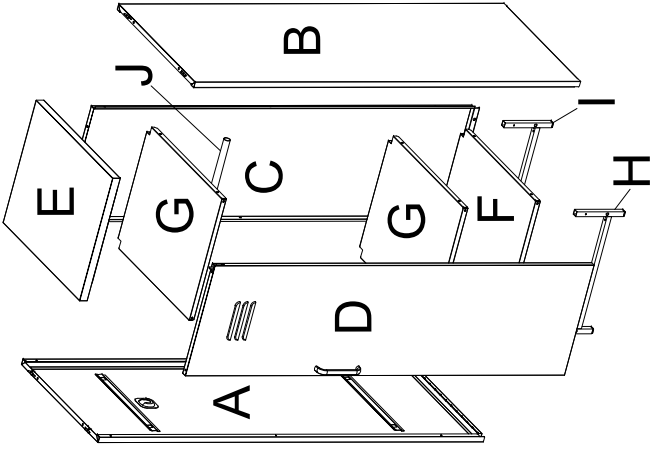
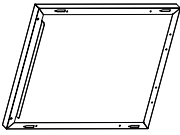
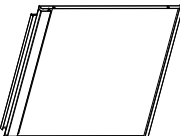
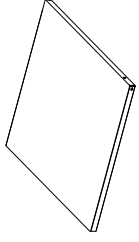
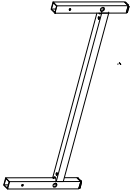
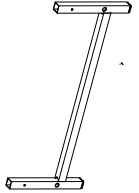


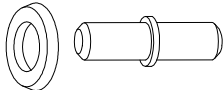
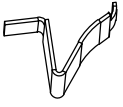
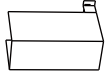
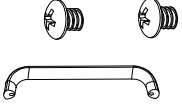

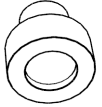
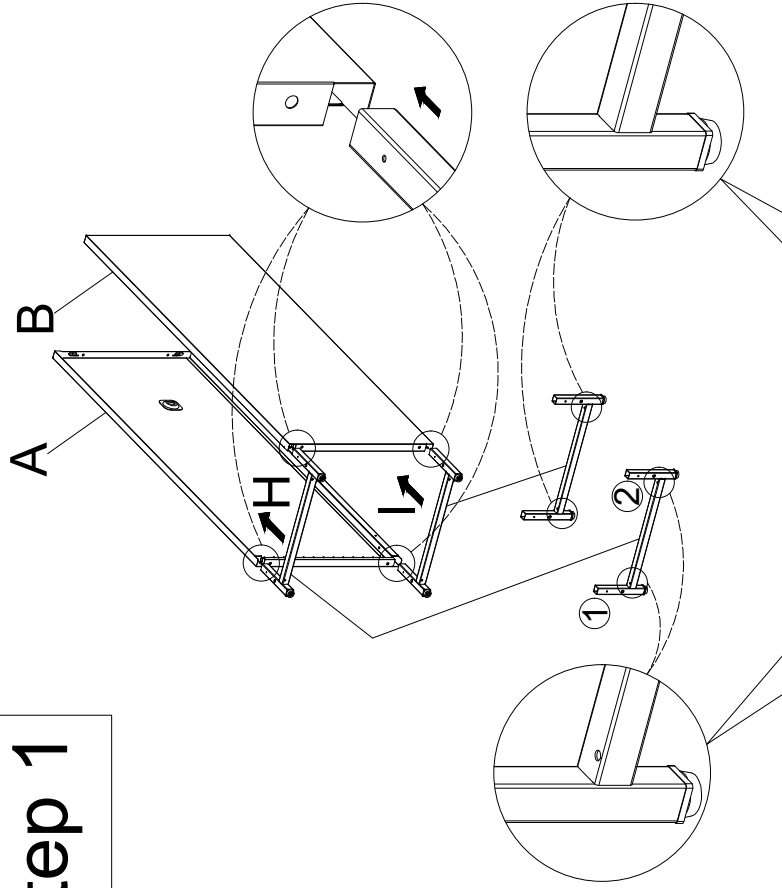
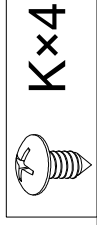
	<p>A</p>  <p>x1</p>	<p>B</p>  <p>x1</p>	<p>C</p>  <p>x1</p>	<p>D</p>  <p>x1</p>
	<p>E</p>  <p>x1</p>	<p>F</p>  <p>x1</p>	<p>G</p>  <p>x2</p>	<p>H</p>  <p>x1</p>
	<p>I</p>  <p>x1</p>	<p>J</p>  <p>x1</p>	<p>K</p>  <p>5x10 x16</p>	<p>L</p>  <p>x1</p>
	<p>M</p>  <p>x8</p>	<p>N</p>  <p>x8</p>	<p>O</p>  <p>x1</p>	<p>P</p>  <p>x1</p>
	<p>Q</p>  <p>x2</p>			

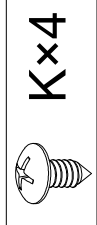
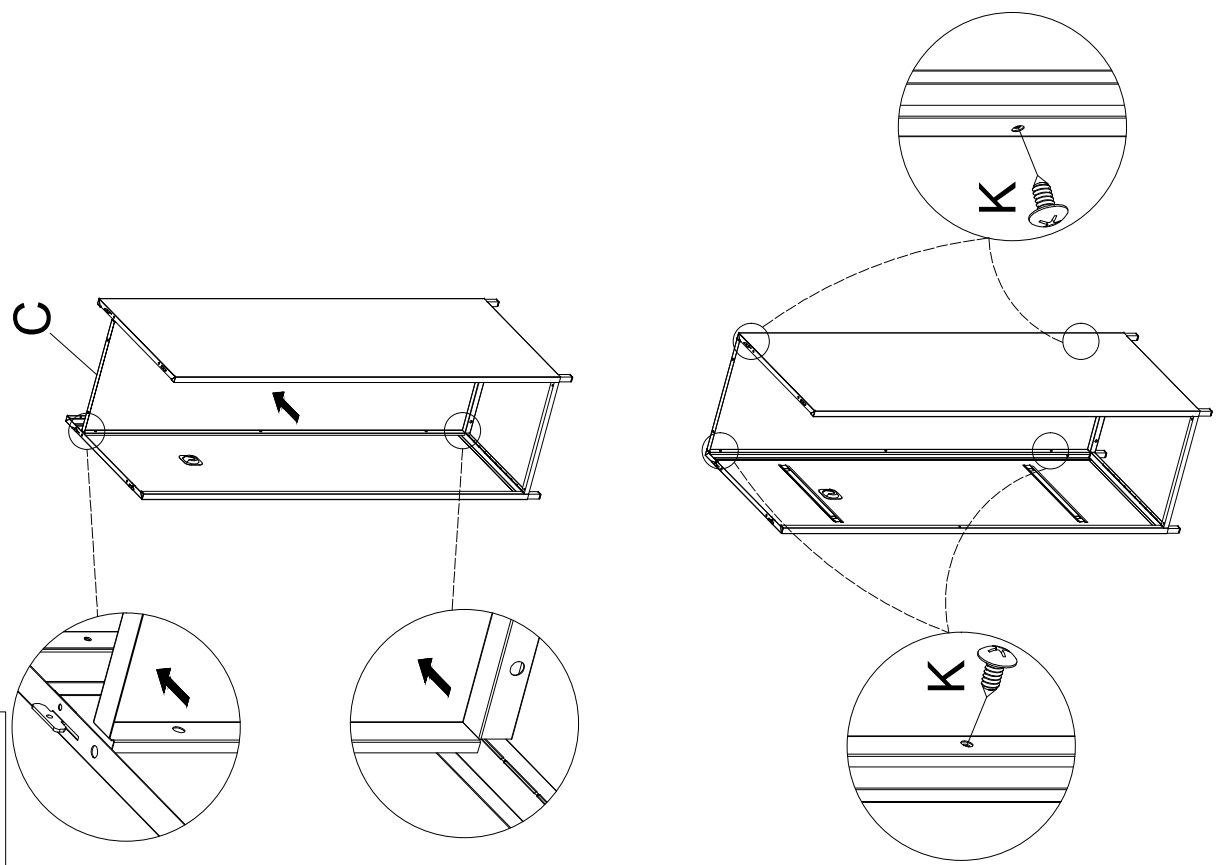
step 1



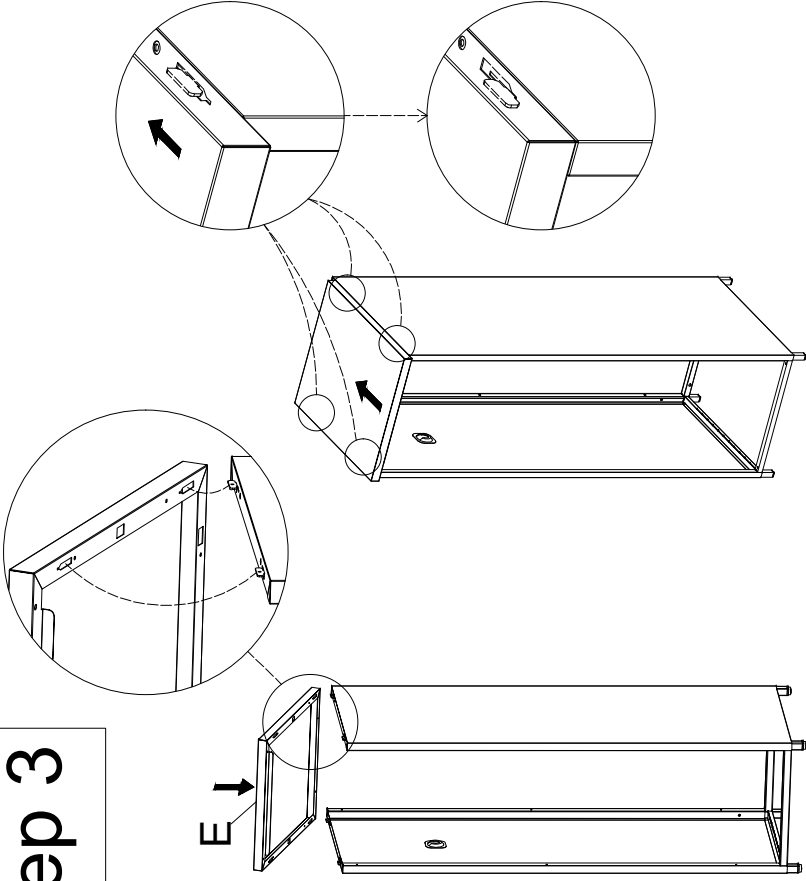
Before installation, carefully confirm the hole position of ①, ②, so that the smaller side in the distance is installed outside



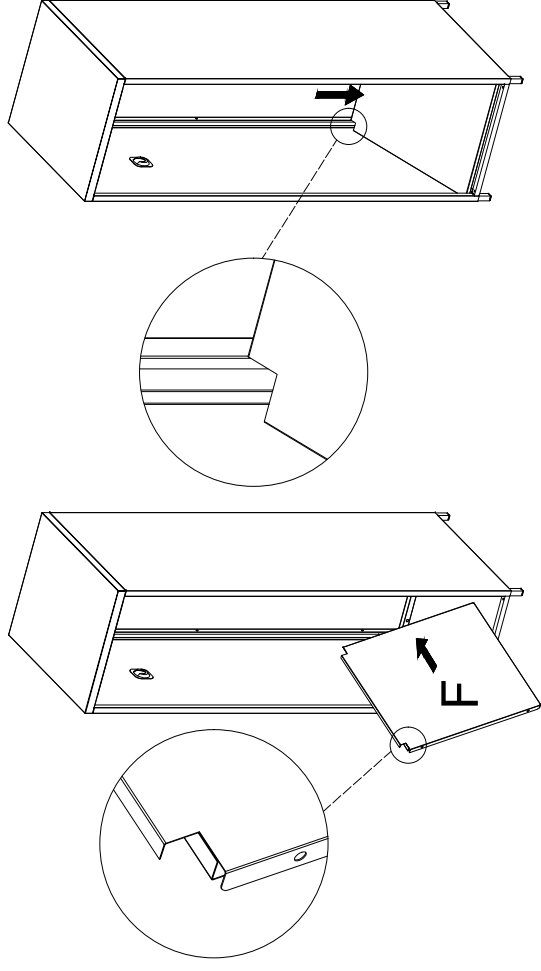
step 2



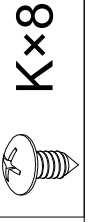
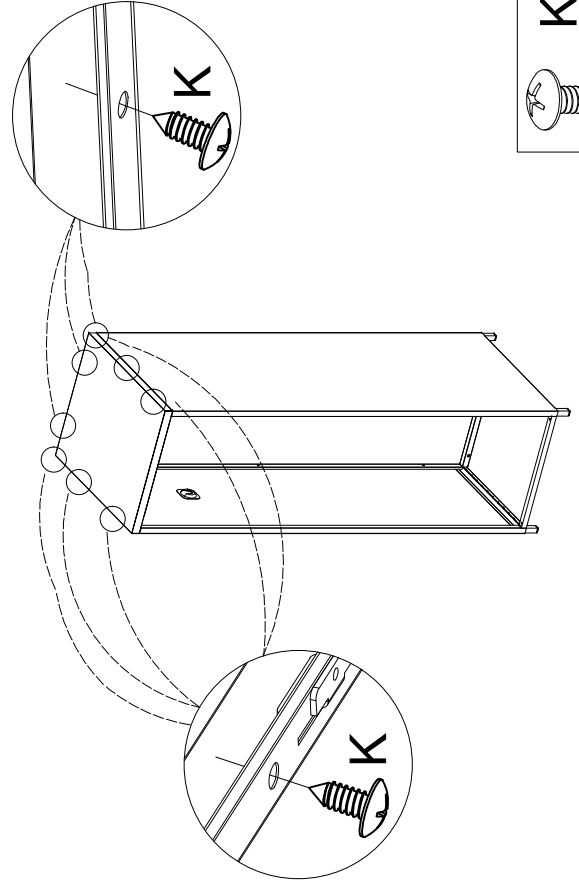
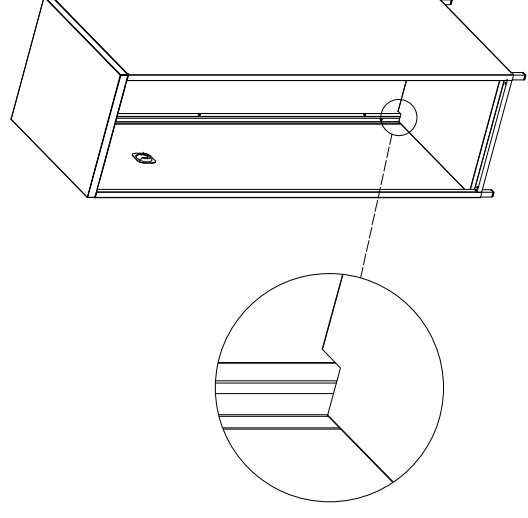
step 3



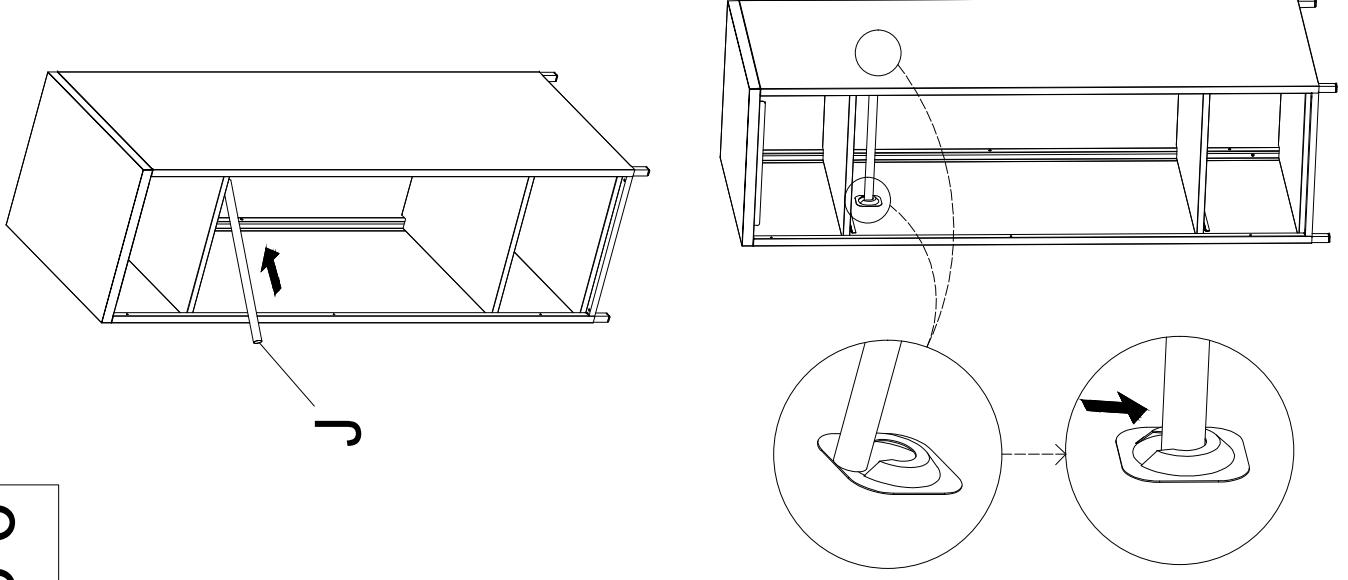
step 4



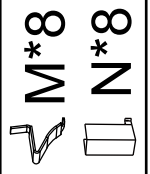
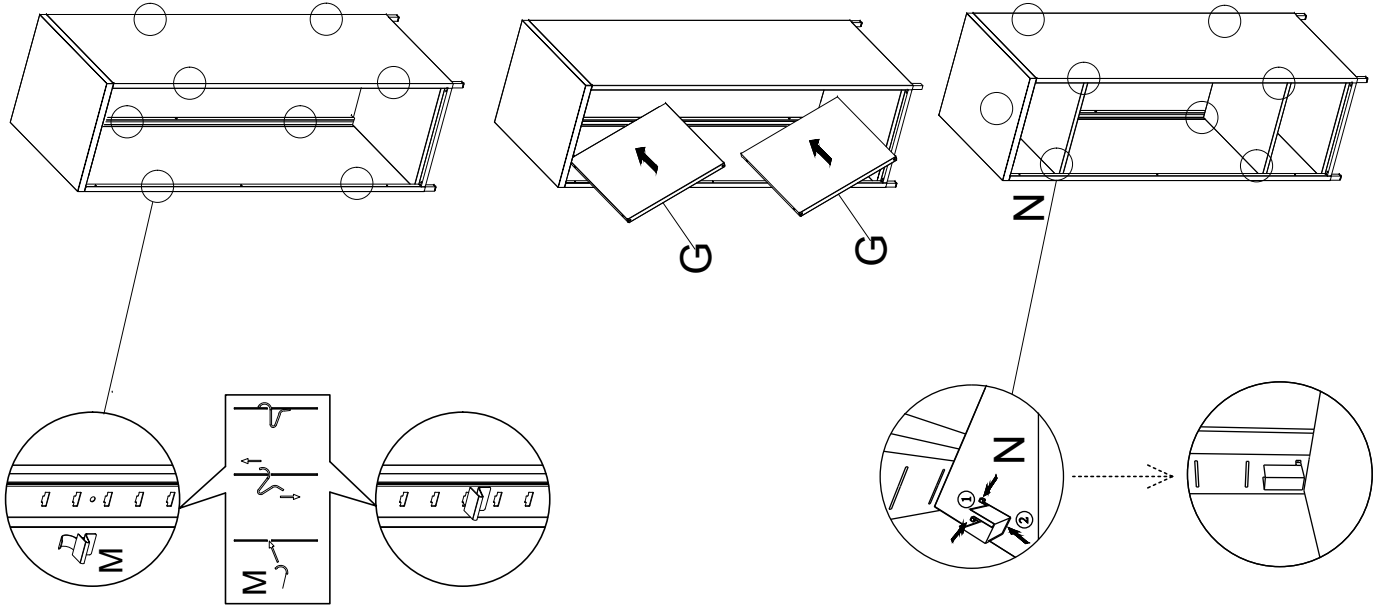
The grooved side is combined with the back panel.



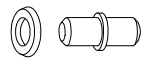
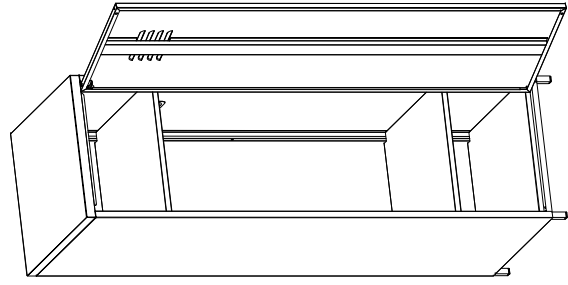
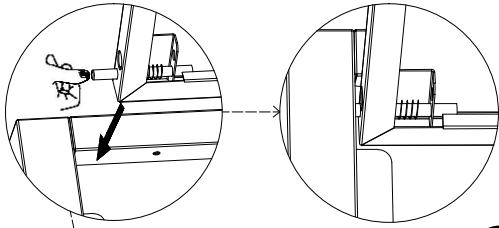
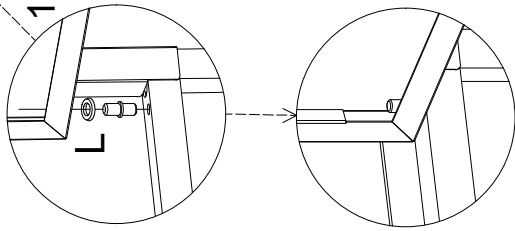
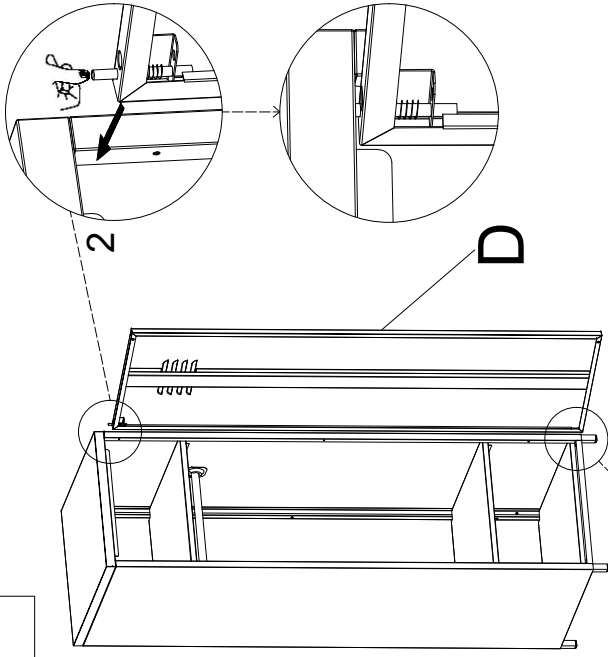
step 6



step 5

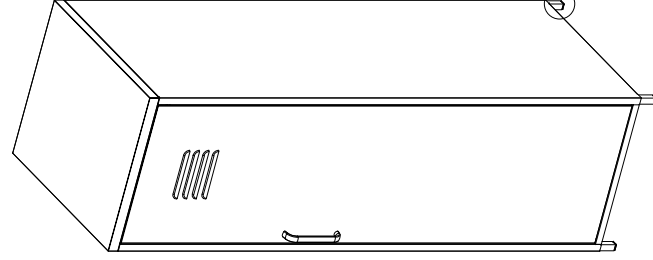
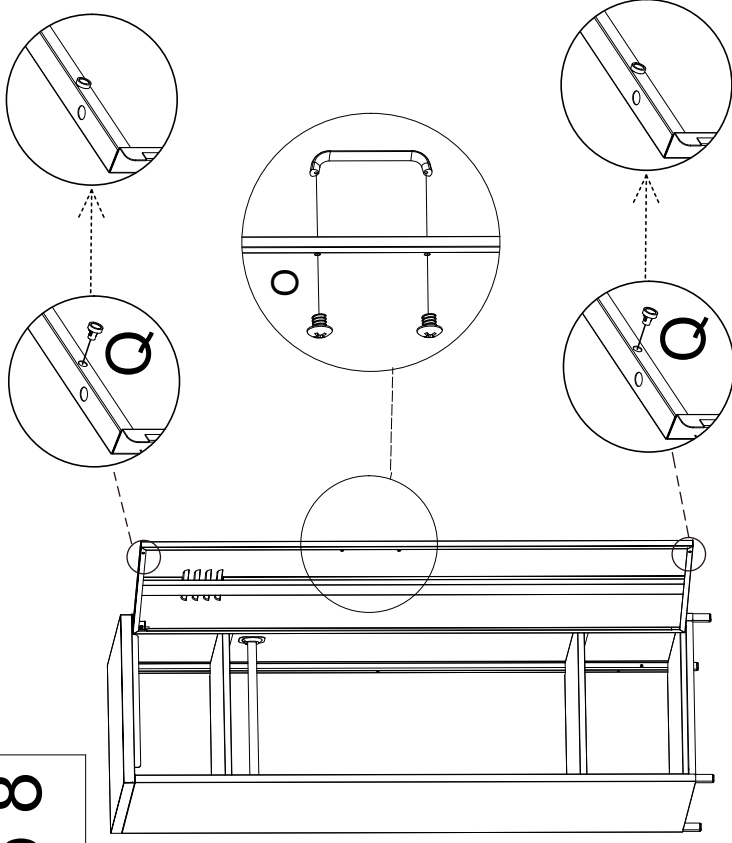


step 7

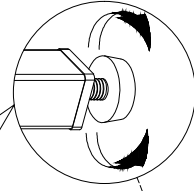


Lx1

step 8



The cabinet body is uneven,
Adjusting feet below the
cabinet body can be adjusted



Qx2

Ox1

