



KIDS ROCKER SEESAW

MODEL# 9306RS
PRODUCT MANUAL - VERSION 5.20.01

FOR AGES:

3-7

WEIGHT LIMIT:

150 Lbs
68 Kgs

TO BUILD:



TOOLS NEEDED:



HOW-TO
VIDEOS ONLINE



Manual en
español ubicado
en GQBrands.com

Spanish Manual located
at GQBrands.com

CUSTOMER SERVICE

GQBrands.com • CustomerService@GQBrands.com • 1-866-498-5269 • 4401 Samuell Blvd, Ste 150, Mesquite, TX 75149



CUSTOMER SERVICE INFORMATION

Thank you for purchasing: KIDS ROCKER SEESAW

MODEL# 9306RS

Please do not return your item. Please report items that are damaged or missing parts to the manufacturer GQ Brands within 3days of delivery. Contact customer service at customerservice@gqbrands.com to open a ticket.

At GQBrands®, we want all of our customers to be completely satisfied with their purchase. Take time to review the contents of the product you have just received to make sure that all of the parts are included. If you find that any parts are missing or damaged, we will provide replacement parts at no charge within 30 days of purchase.

Please keep in mind that for select damaged part replacement requests, we will require a photo for submission.

To register you product please visit:
www.globalqualitybrands.com/product-registration
or scan code:



To order these parts, or if you have any other questions or concerns about this GQBrands product, please contact us at

PureFun.Net
GQBrands@ 6352HZJ-9306RS
Phone: 1-866-498-5269
Email: CustomerService@GQBrands.com
4401 Samuell Blvd, Ste 150, Mesquite, TX 75149

Please be sure to include the following information when you contact Customer Service:

YOUR NAME: _____

RETAILER WHERE PURCHASED: _____

YOUR MAILING ADDRESS: _____

DATE OF PURCHASE: _____

YOUR EMAIL ADDRESS: _____

ORDER NUMBER: (If Available) _____

PRODUCT NAME: _____

QUANTITY NEEDED: _____

PRODUCT MODEL#: _____

SERIAL NUMBER: _____

PART NUMBER _____

LIMITED WARRANTY

Global Quality Brands® warrants this product to be free from defects in workmanship and materials under normal use and conditions for a period of **90 DAYS FROM THE DATE OF ORIGINAL PURCHASE**. This Limited Warranty is not transferable and is available only for the original purchaser of the Product. The Company's obligation under this warranty is limited to replacing or repairing the Product, at the discretion of the company.

All warranty coverage extends only to the original retail purchaser from the date of purchase, GQ Brands obligation under this warranty is limited to replacing or repairing, at Global Quality Brands® option. All products for which a warranty claim is made must be received by Global Quality Brands® and accompanied by sufficient proof of purchase (photocopy of the original store receipt, indicating the date of purchase). All freight and handling fees are the responsibility of the consumer to pay, both to and from Global Quality Brands®. All warranty claims must be preauthorized by Global Quality Brands® pre-authorization can be obtained by calling 866-498-5269.

This warranty does not cover ordinary wear and tear, weathering, failure to follow directions, improper installation, improper maintenance, or acts of nature, (such as damage caused by wind, lightning, snow, water, or ice) weather damage, damage caused by unauthorized repair work or damage caused by improper use of the products are not covered by the product warranty. No other warranty beyond that specifically set forth above is authorized by GQBrands®.

GLOBAL QUALITY BRANDS® IS NOT RESPONSIBLE OR LIABLE FOR INDIRECT, SPECIAL OR CONSEQUENTIAL DAMAGES ARISING OUT OF OR IN CONNECTION WITH THE USE OR PERFORMANCE OF THE PRODUCT OR OTHER DAMAGES WITH RESPECT TO ANY ECONOMIC LOSS, LOSS OF PROPERTY, LOSS OF REVENUE OR PROFITS, LOSS OF ENJOYMENT OR USE, COST OF REMOVAL, INSTALLATION OR OTHER CONSEQUENTIAL DAMAGES. SOME STATES DO NOT ALLOW THE EXCLUSION OR LIMITATION OF INCIDENTAL OR CONSEQUENTIAL DAMAGES. ACCORDINGLY,

THE ABOVE LIMITATION MAY NOT APPLY TO YOU. THE WARRANTY EXTENDED HEREUNDER IS IN LIEU OF ALL OTHER WARRANTIES AND GLOBAL QUALITY BRANDS®, SPECIFICALLY DISCLAIMS ANY IMPLIED WARRANTY OF MERCHANTABILITY OR FITNESS FOR A PARTICULAR PURPOSE IS LIMITED IN ITS SCOPE AND DURATION TO THE TERMS SET FORTH HEREIN. SOME STATES DO NOT ALLOW LIMITATION ON HOW LONG AN IMPLIED WARRANTY LASTS. ACCORDINGLY, THE ABOVE LIMITATION MAY NO APPLY TO YOU. THIS WARRANTY GIVES YOU SPECIFIC LEGAL RIGHTS. YOU MAY ALSO HAVE OTHER RIGHTS, WHICH VARY FROM STATE TO STATE.

WHILE EVERY ATTEMPT IS MADE TO ENSURE THE HIGHEST DEGREE OF PROTECTION IN ALL EQUIPMENT, WE CANNOT GUARANTEE FREEDOM OF INJURY. THE USER ASSUMES ALL RISK OF INJURY DUE TO USE. ALL MERCHANDISE IS SOLD ON THIS CONDITION, WHICH NO REPRESENTATIVE OF GQBRANDS® CAN WAIVE OR CHANGE.



WARNINGS



ADULT ASSEMBLY REQUIRED **CHOKING HAZARD - Small Parts** **NOT for children under 3 years of age.**

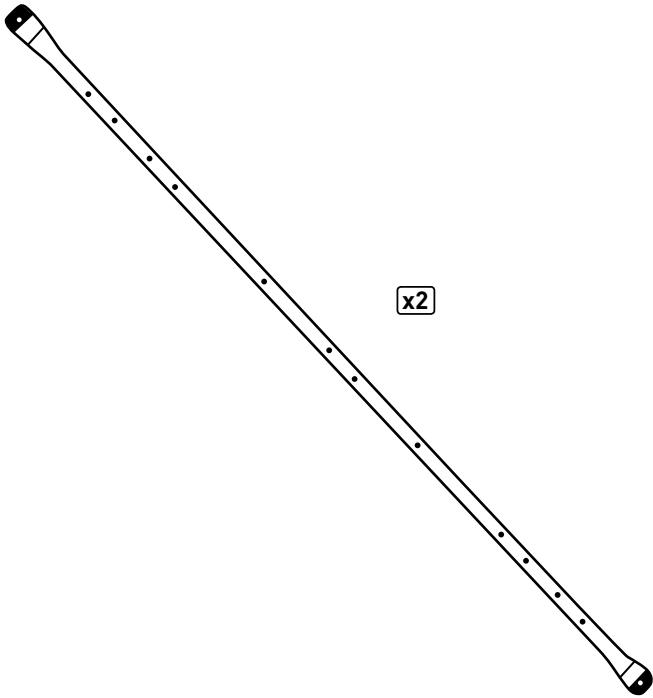
Please read these warnings and the information in this manual in its entirety.

Failure to comply with the following instructions may increase the risk of serious injury and/or death:

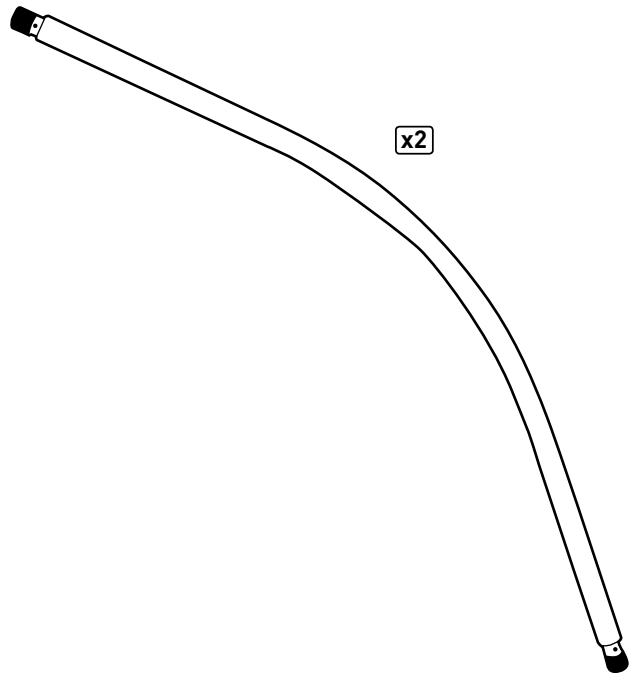
- Please read these warnings and the information in this manual in its entirety. Failure to comply with the following instructions may increase the risk of serious injury and/or death:
- This unit must be assembled and disassembled by **ADULTS ONLY**.
- This Rocker Seesaw is suitable for use by most children 3 to 7 YEARS OF AGE.
- DO NOT exceed the MAXIMUM WEIGHT limit per seat of 75lbs (34kgs), regardless of age.
- DO NOT install this equipment over concrete, asphalt, or any other hard or rough surface. The Rocker Seesaw should always be installed over an appropriate, stable surface (rubber mat, grass, etc).
- ALWAYS locate this equipment on a stable, level surface AT LEAST 7 feet away from any structure, obstruction, or possible hazard(s) such as walls, pools, power lines, overhangs, other playground equipment, driveways, hard surfaces and/or roadways.
- Children must be supervised at all times when using this equipment. DO NOT leave children unattended at any time.
- DO NOT attach items to the Rocker Seesaw not specifically designed for this purpose. Especially in the case of jump ropes, chains, clotheslines, pet leashes and cables.
- These may cause a strangulation or physical hazard.
- This Rocker Seesaw is NOT for adult use.
- This Rocker Seesaw is only designed for family residential use. It is NOT intended for commercial applications and/or use in public areas such as schools, parks, nurseries, day schools, day cares, etc.
- DO NOT allow more than one child per seat on the Rocker Seesaw and/or Rocker at a time.
- Instruct children to always be sure that the ground underneath the seesaw is clear of any persons, pets or obstructions before using.
- DO NOT allow children to wear glasses or helmets when using the Rocker Seesaw.
- Small children must be assisted by an adult in mounting and dismounting the seesaw seats.
- DO NOT allow children to wear loose fitting clothing, clothing with straps/ loops, backpacks or wear and/or hold accessories with straps or loops, or any article of clothing or accessory with sharp edges which may present a hazard or become snagged or caught on the Rocker Seesaw during use. Serious injury and/or accidental strangulation may occur.
- DO NOT allow people and pets to stand or sit in or near the Rocker Seesaw play area when the item is in motion.
- DO NOT allow children to climb or hang from the steel tubing – this can cause serious injury.
- This product is not to be used in conjunction with pools, spas, or other bodies of water.
- Children must ALWAYS remain securely seated, firmly grasping the handrails, and in the forward facing position when rocking. Do not lay down, rock while standing, or sit backwards on the seats.
- DO NOT use in adverse weather conditions, while the seats are wet, or in poorly lit conditions.
- ALWAYS secure the Rocker Seesaw against unauthorized and unsupervised use.
- ALWAYS wear the appropriate footwear (i.e. closed toe shoes) when using the Rocker Seesaw.
- Before each use of this product, inspect and replace any worn, defective or missing parts. Although the Rocker Seesaw is made to take a lot of wear, over time parts may need to be replaced. It is important to check the Rocker Seesaw to ensure the Frame, Seats and Handrails are steady and all parts are in good condition. If any loose, cracked, missing, or otherwise damaged components are found, cease use of this item immediately and secure it from unauthorized use until the issue has been corrected and/or replacement parts obtained.
- Please read and refer to other warnings and use information in the Rocker Seesaw instructions before use.
- Dispose of all packaging materials safely and per local ordinance.

PARTS LIST

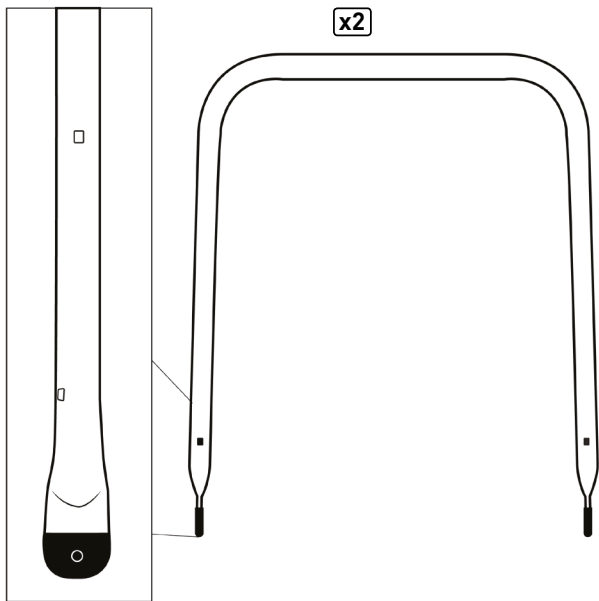
1 - Base Rails



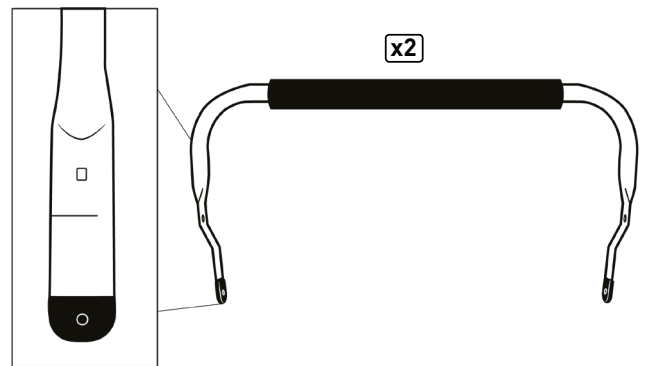
2 - Foam Rocker Bar



3 - Handle Tube

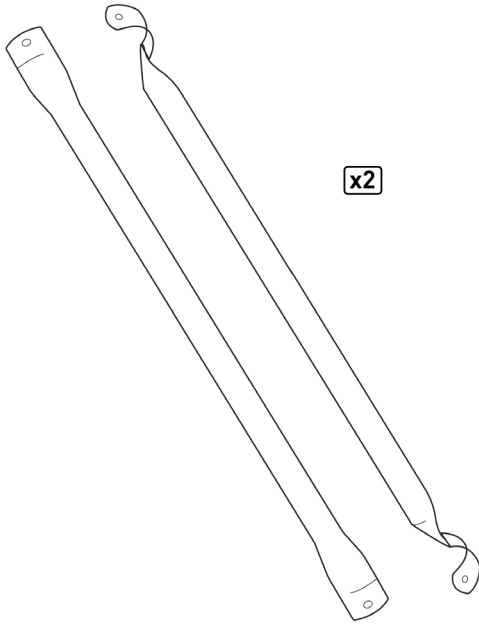


4 - Backrest

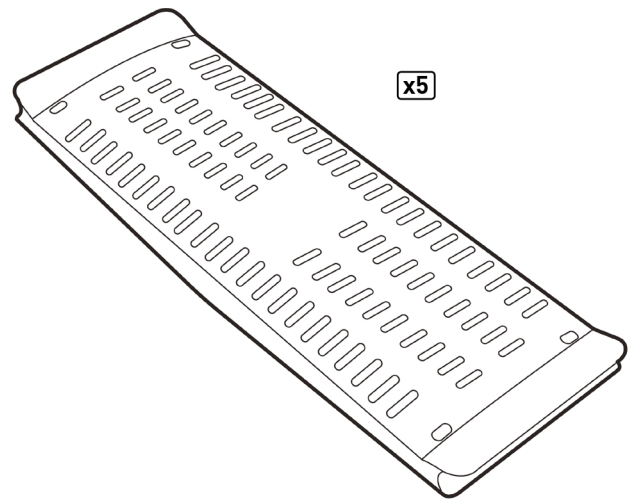


PARTS LIST

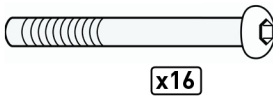
5 - Footrest Tube



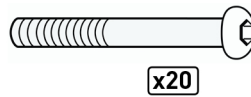
6 - Seats



7 - M6 40mm Bolt



8 - M6 35mm Bolt



9 - M6 50mm Bolt



10 - M6 Square Nuts



11 - M6 Hex Nut



12 - M6 Washer



13 - M6 Nut



14 - Flat Cap [Large]



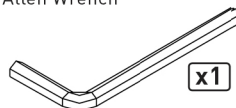
15 - Flat Cap [Small]



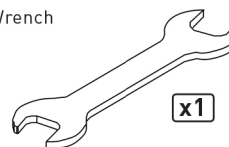
16 - Round Cap



17 - Allen Wrench

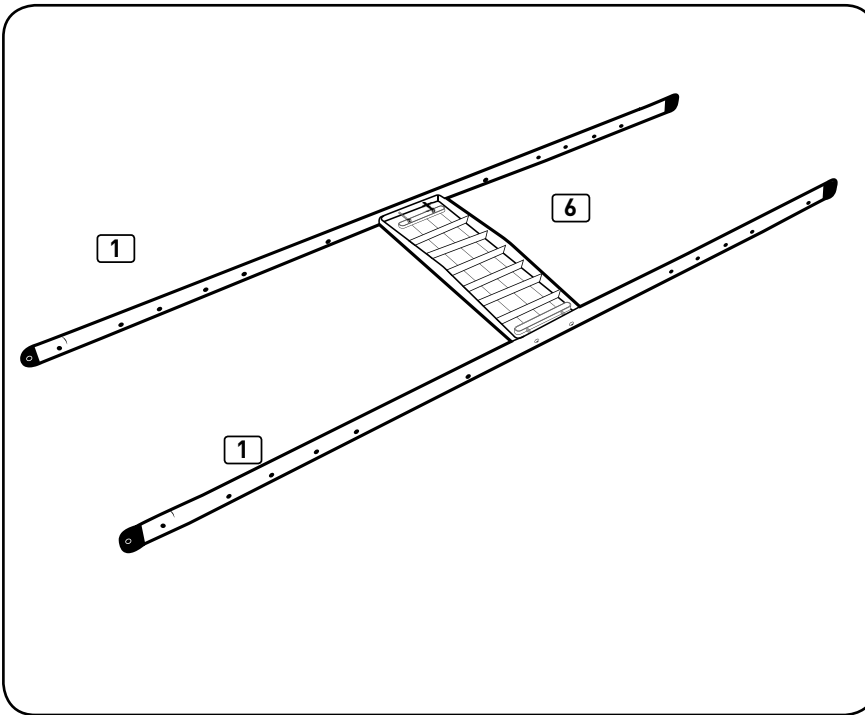


18 - Wrench



ASSEMBLY INSTRUCTIONS

STEP 1

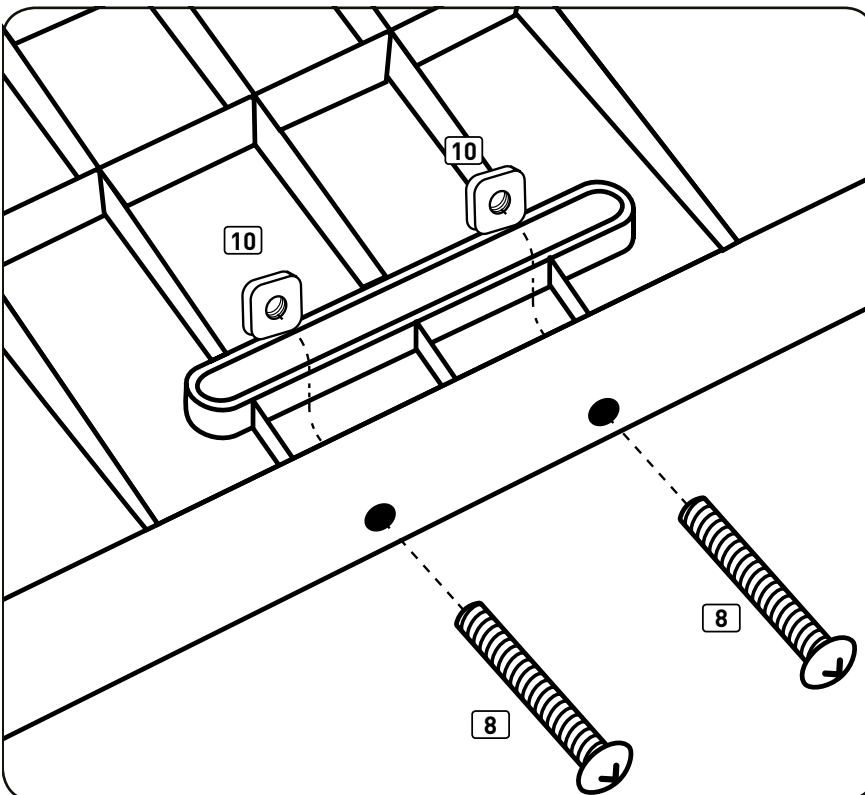


Parts:

- Part 1 (x2) - Base Rails
- Part 6 (x1) - Seat

Place both Base Rails (Part 1) in a flat surface free of obstructions. Place Seat (Part 6) with the flat surface facing the floor and align the side openings to the middle openings of the Base Rails (1).

STEP 2



Parts:

- Part 10 (x4) - Square Nuts
- Part 8 (x4) - M6 35mm Bolt

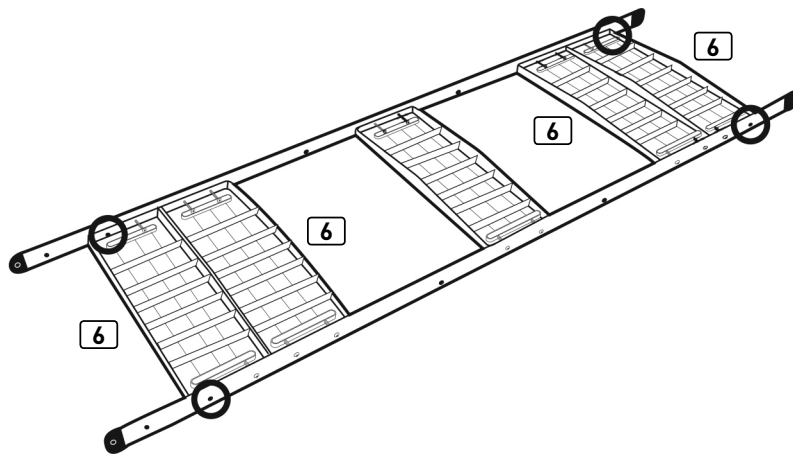
Place the Square Nuts (Part 10) at the end gaps of the Seat openings, and secure with a M6 35mm Bolt (Part 8) aligned by the Base Rail and Seat openings.

NOTE:

Push the Bolt all the way until it aligns with the opening of the Square Nut. Tightening clockwise will help the Square Nut reach the end of the Seat gap.

ASSEMBLY INSTRUCTIONS

STEP 3



Parts:

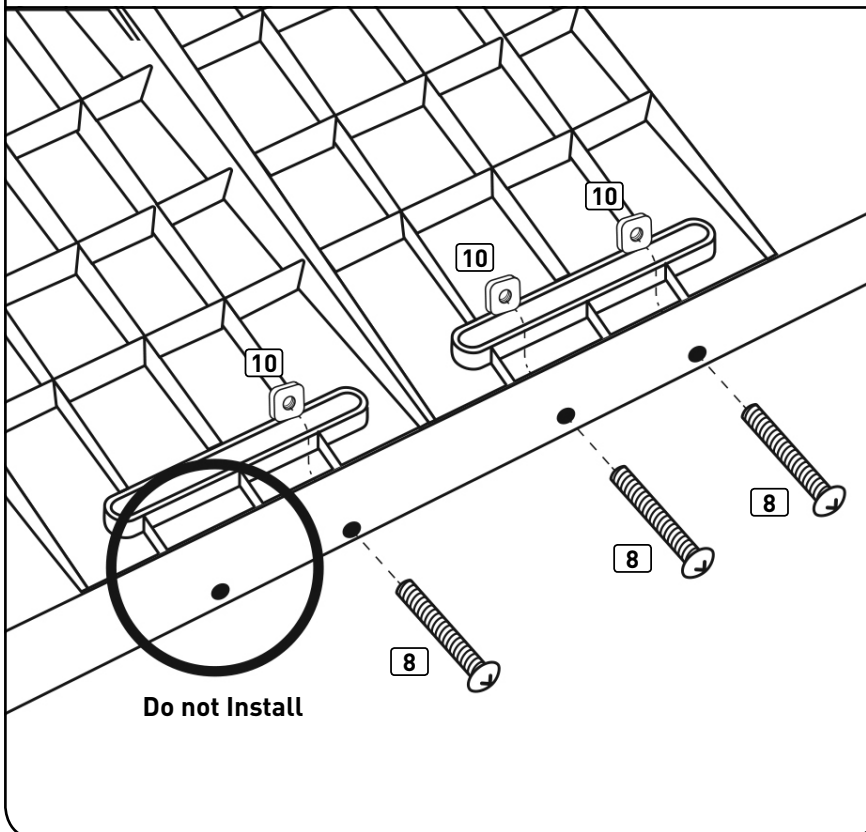
- Part 6 (x4) - Seats
- Part 10 (x12) - Square Nuts
- Part 8 (x12) - M6 35mm Bolt

Place the remainder of the Seats at the end of the Base Rails with the flat surface of the Seats facing the floor. Place 2x on each side as shown. Align the side openings to the corresponding Base Rails opening.

Place the Square Nuts (Part 10) at the end gaps of the Seat openings, and secure with a M6 35mm Bolt (Part 8) aligned by the Base Rail and Seat openings.

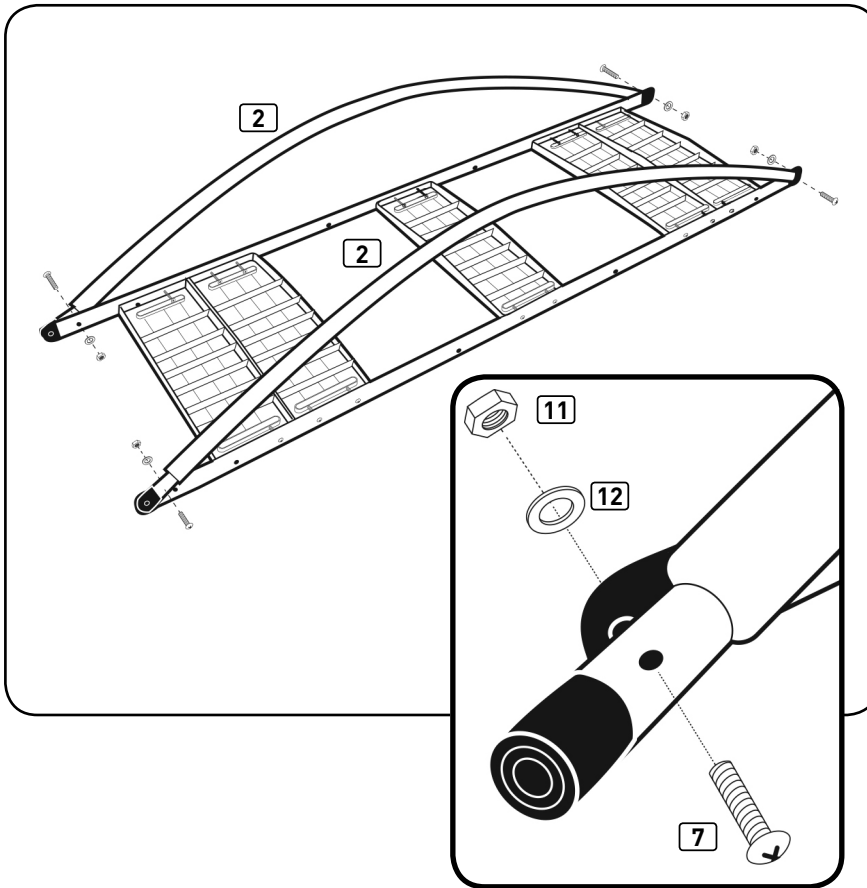
NOTE:

When Installing the Seats to the Base Rails, do not install to the 4 locations circled as shown. These are reserved to install the Handle Bars in **Step 12**.



ASSEMBLY INSTRUCTIONS

STEP 4



Parts:

- Part 2 (x2) - Foam Rocker Bar
- Part 7 (x4) - M6 40mm Bolt
- Part 11 (x4) - Hex nut
- Part 12 (x4) - Washer

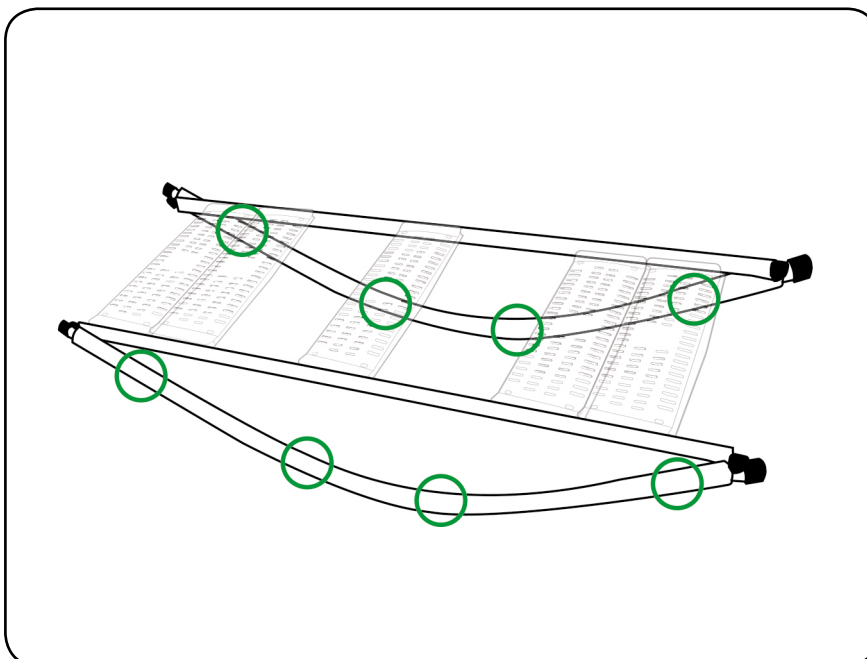
NOTE: Round Cap (Part 16) is already installed on the Foam Rocker Bar (Part 2). If not, slide to both ends and make sure the tub ends are covered

Place the Foam Rocker Bars (Part 2) on the outside of the Base Rails facing away from the Seats.

Align the opening of the tip of the Base Rails to the opening under the Round Cap of the Foam Rocker Bars.

Tighten with a M6 40mm Bolt (Part 7), Hex Nut (Part 11), and Washer (Part 12).

STEP 5



Inside the Foam Rocker Bars, there are 8 indent locations as shown. You can find them when pressed.

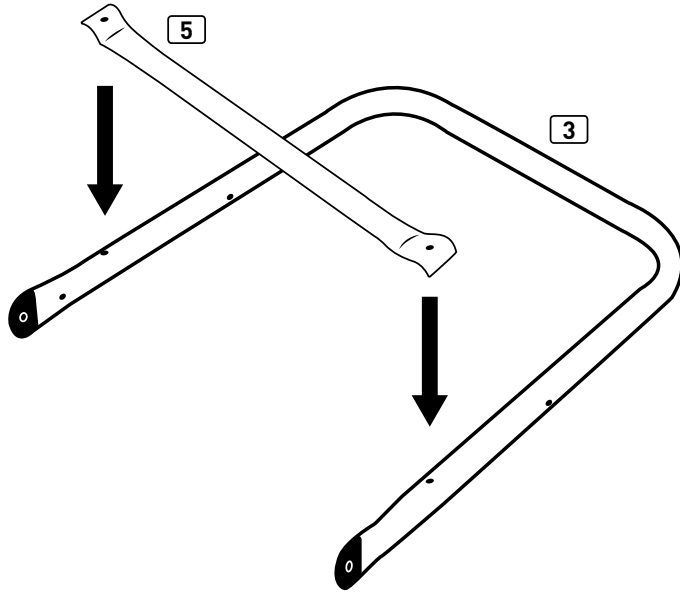
Once you have found the indent, using a sharp Knife, cut a slit in that location to reveal the opening on the Bar itself.

⚠ WARNING!

Cutting the slits on the Foam Rocker Bar must be done by an adult **(+18 Years)**. For more information, review The Warning and Safety instructions on **Page 5**.

ASSEMBLY INSTRUCTIONS

STEP 6



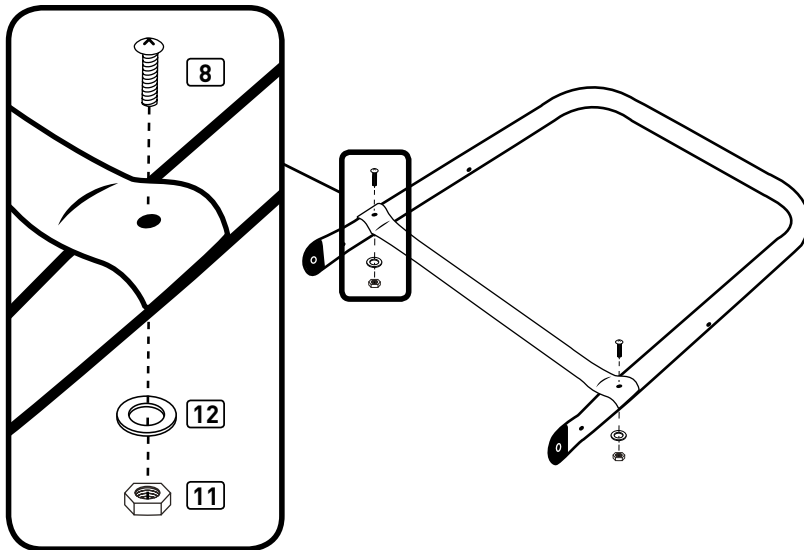
Parts:

- Part 3 (x2) - Handle Tube
- Part 5 (x2) - Footrest Tube
- Part 8 (x4) - M6 35mm Bolt
- Part 11 (x4) - Hex Nut
- Part 12 (x4) - Washer

Locate the middle openings in the Handle Tube (Part 3), and align to the openings at the tips of the Footrest Tube (Part 5).

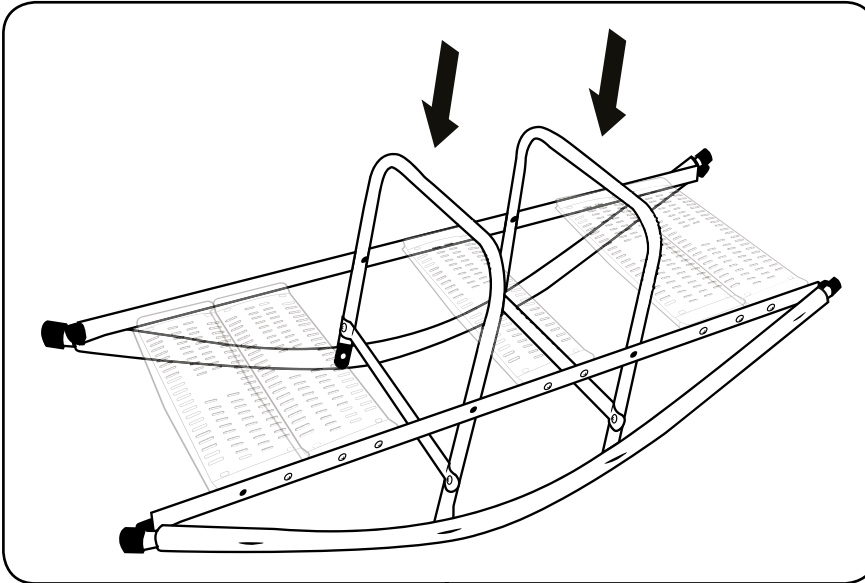
Tighten with a M6 35mm Bolt (Part 8), Hex Nut (Part 11), and Washer (Part 12).

Repeat until you have 2x completed Handle Tubes with the Footrest Tubes installed.



ASSEMBLY INSTRUCTIONS

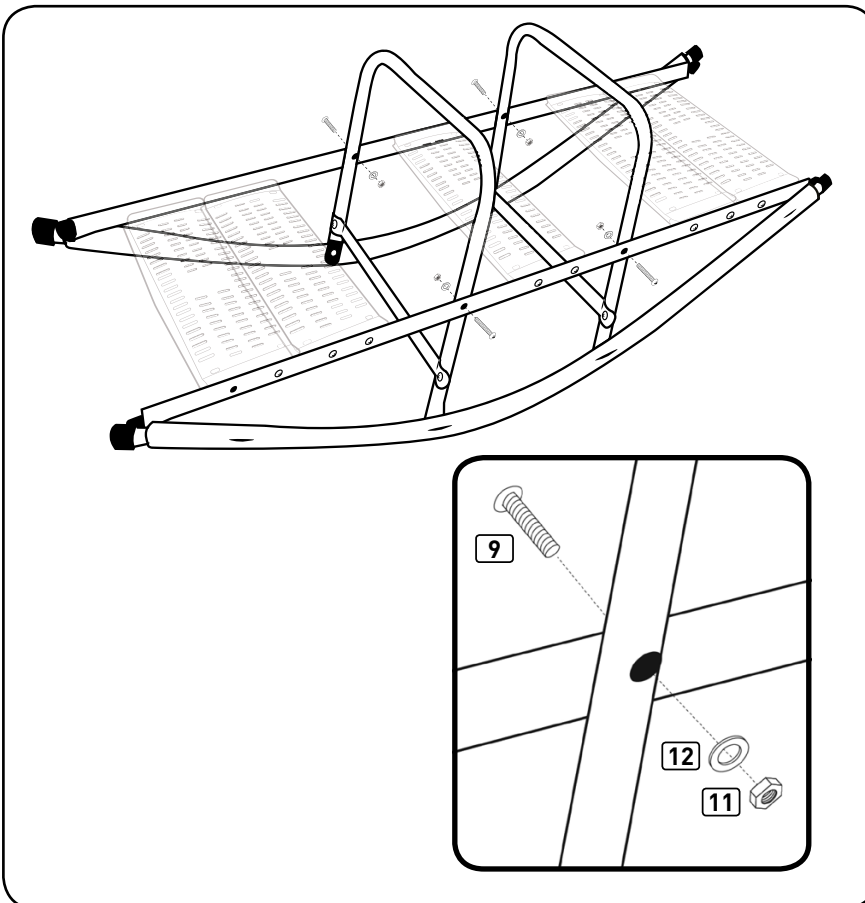
STEP 7



Insert the Assembled Handles on the inside of the Seesaw.

Align the upper openings of the Handle Tubes to the Base Rails, and bottom openings to the Foam Rocker Bars

STEP 8



Parts:

- Part 9 (x4) - M6 50mm Bolt
- Part 11 (x4) - Hex nut
- Part 12 (x4) - Washer

Locate the aligned middle openings in the Handle Bar.

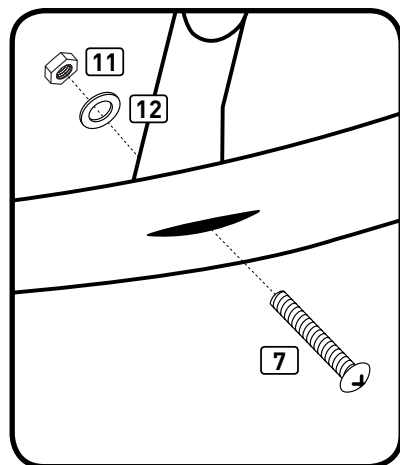
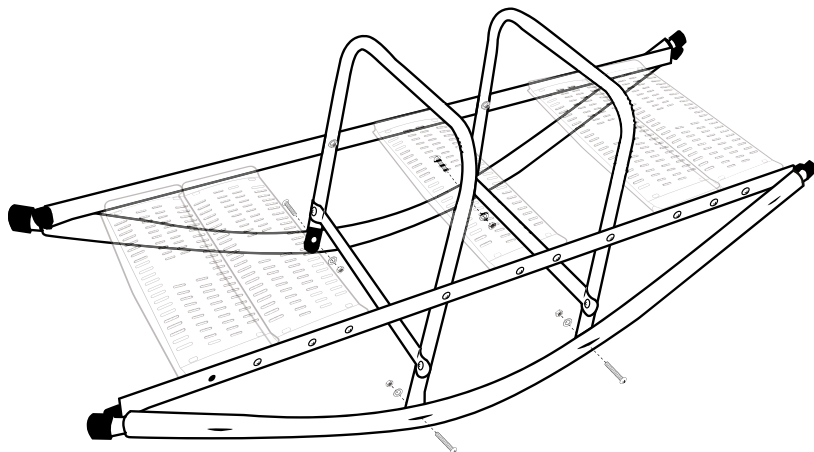
Tighten with a M6 50mm Bolt (Part 9), Hex Nut (Part 11), and Washer (Part 12).

NOTE:

Make sure the head of the Bolts are facing the outside of the Seesaw to avoid scratches or scrapes when in use.

ASSEMBLY INSTRUCTIONS

STEP 9



Parts:

- Part 7 (x4) - M6 40mm Bolt
- Part 11 (x4) - Hex nut
- Part 12 (x4) - Washer

Locate the aligned bottom openings in the Handle Bar.

Tighten with a M6 40mm Bolt (Part 7), Hex Nut (Part 11), and Washer (Part 12).

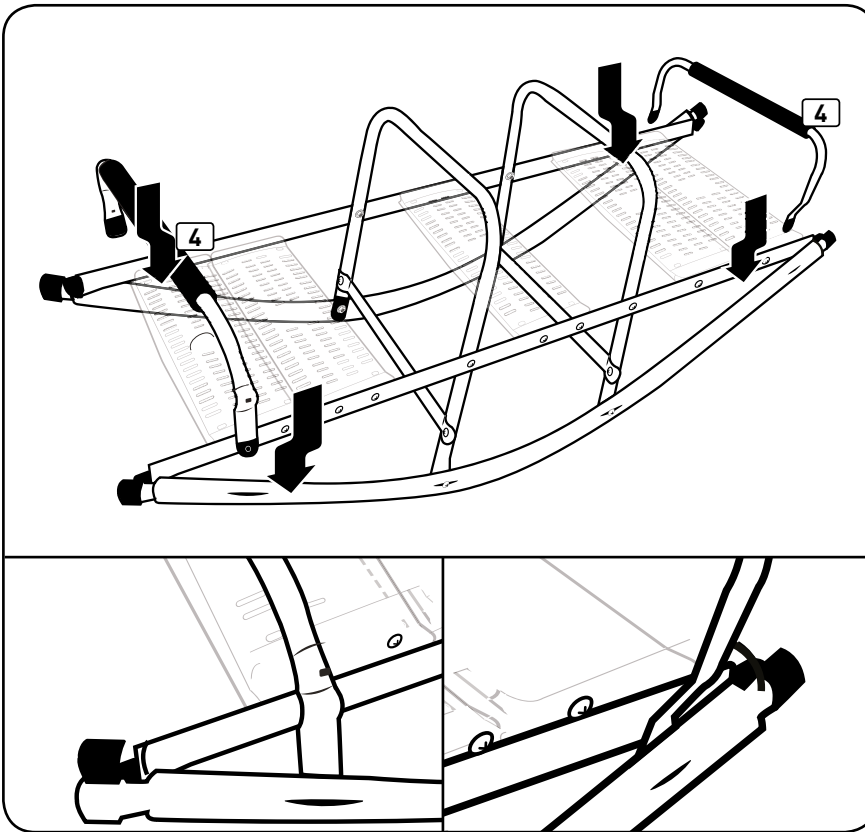
Hide the head of the Bolt under the foam of the Foam Rock Bars.

NOTE:

Make sure the head of the Bolts are facing the outside of the Seesaw to avoid scratches or scrapes when in use.

ASSEMBLY INSTRUCTIONS

STEP 10



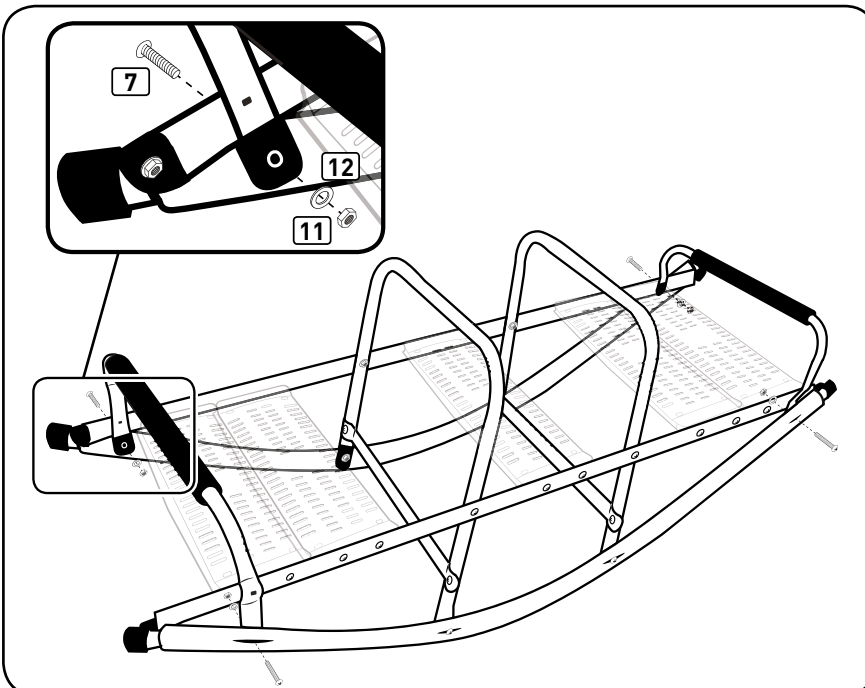
Parts:

Part 4 (x2) - Backrest

Insert the Backrest (Part 4) from the outside of the Base Rails and slide the tips on the inside of the Rocker Seesaw.

Align the openings of the tips to the Foam Rocker Bars to the Backrest to install the hardware in Step 11.

STEP 11



Parts:

Part 7 (x4) - M6 40mm Bolt

Part 11 (x4) - Hex nut

Part 12 (x4) - Washer

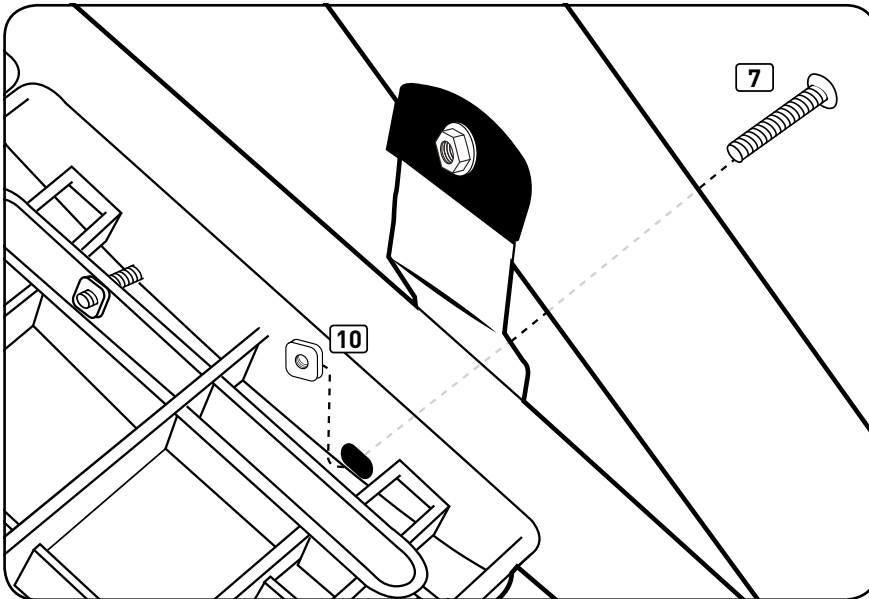
Tighten the tips to the foam rocker. Hide the head of the Bolt under the foam of the Foam Rock Bars once installed.

NOTE:

Make sure the head of the Bolts are facing the outside of the Seesaw to avoid scratches or scrapes when in use.

ASSEMBLY INSTRUCTIONS

STEP 12



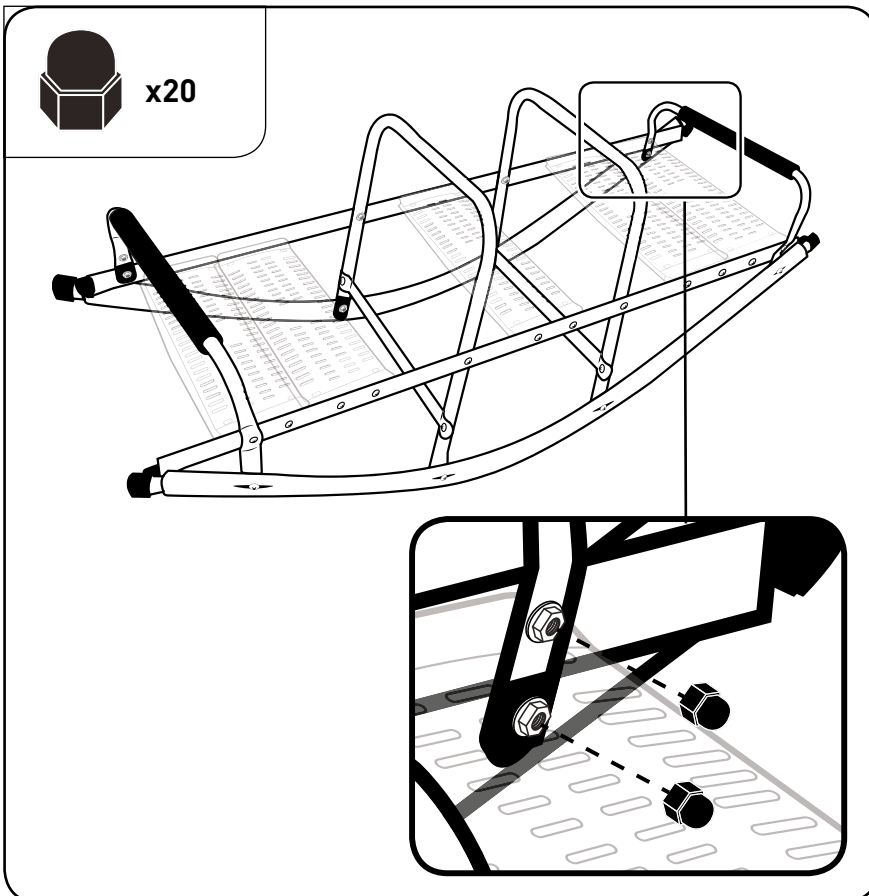
Parts:

- Part 7 (x4) - M6 40mm Bolt
- Part 10 (x4) - Square Nuts

Flip the Rocker Seesaw over to install the Seats into the Base Rail and Backrests.

Place the Square Nuts (Part 10) at the end gaps of the Seat openings, and secure with a M6 40mm Bolt (Part 8) aligned by the Base Rail, Backrest, and Seat openings.

STEP 13



Parts:

- Part 13 (x20) - Safety Caps

Use the Safety Caps (Part 13) to hide any excess from the Bolts.

NOTE:

Failure to use the Safety may cause scratches, scrapes, or injury while when product is in use.

FREQUENTLY ASKED QUESTIONS

Question: "How should I clean my seesaw?"

Answer: you should clean the Seesaw with a solution of warm water and Non-Corrosive/Abrasive soap. Dampen a rag with this solution and wipe completely dry before using.

Question: "A seat seems loose, what should I do?"

Answer: Make sure the Bolts/Nuts under the plastic seat are secure.

Question: "Something was missing from the packaging," "I need to purchase a replacement part" or "I discovered a damaged piece. What should I do?"

Answer: Contact customer service. You must have proof of purchase and/or order confirmation available to be considered for warranty replacement. You must report missing pieces within 30 days of purchase.

CARE & MAINTENANCE

- Your Rocker Seesaw is designed to be very low maintenance.
- If any part of the seesaw requires cleaning, simply wipe with a damp cloth.
- Regularly check to see if the steel tubes, seats, backrests and other parts are tightened and completely secure. Replace worn & damaged parts if found and if necessary, secure from use until replacement parts can be obtained.
- If the paint is chipped, we recommend you lightly rub the damaged area and cover using a non-toxic enamel paint.
- **IMPORTANT:** While no regular maintenance is required, you must inspect the seesaw before each use and replace any worn, defective, or missing parts. The following conditions could represent potential hazards: Missing, improperly positioned, or insecurely attached frame parts, Missing, improperly secured or damaged seats, and/or a bent or broken rocker, Cease using seesaw immediately and secure it against unauthorized use if any of these conditions are present.

Thank You Coupon!

As a way of saying thank you for purchasing one of our products, here is a 10% OFF coupon for your next purchase at

www.PureFun.net

Use Code: GQBRANDS10 at Checkout