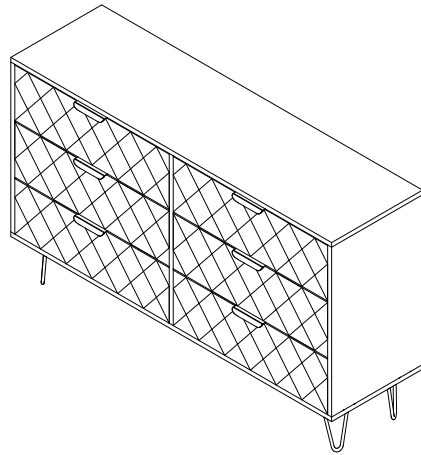
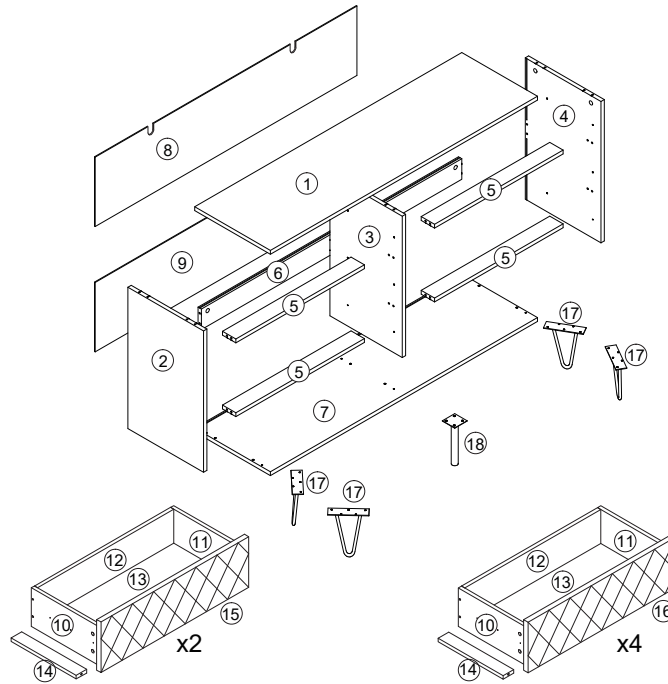


# ASSEMBLY INSTRUCTION

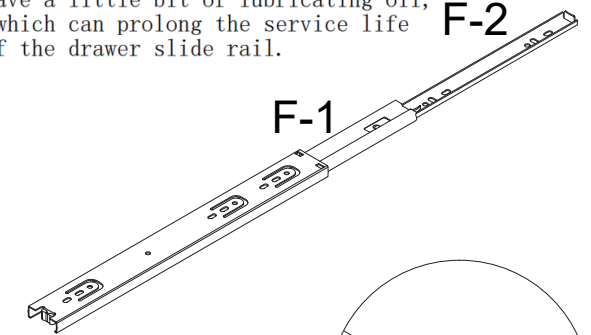


Ax46	Bx46	Cx22	4x35mm Dx40	3x12mm Ex84	Fx12	4x12mm Gx26	Hx2
Jx2	Kx6	3x14mm Lx8	Mx8				

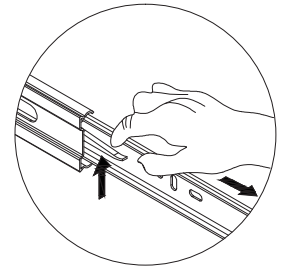


## STEP1

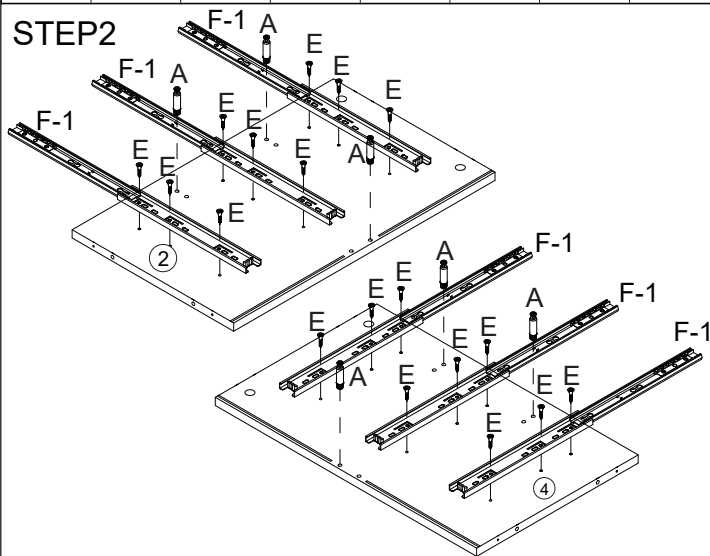
Note:  
The slider balls of the slide rail have a little bit of lubricating oil, which can prolong the service life of the drawer slide rail.



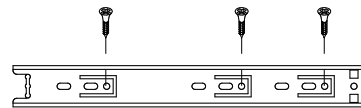
The F drawer rail needs to be manually split into F1 drawer rail and F2 drawer rail by snapping.



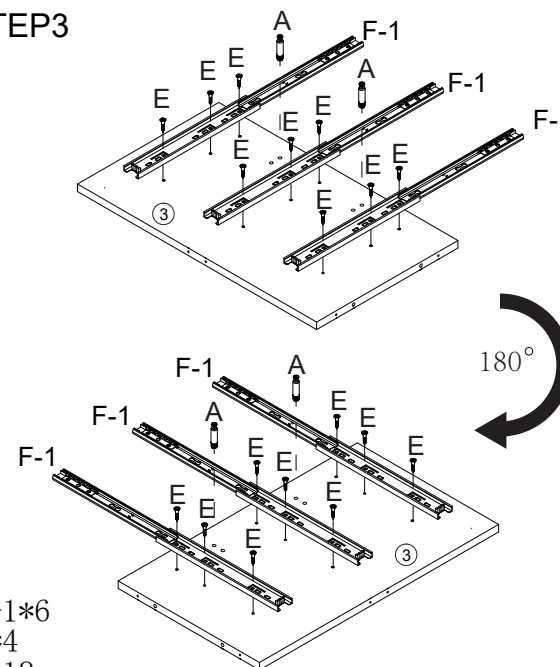
## STEP2



F-1\*6  
A\*6  
E\*18

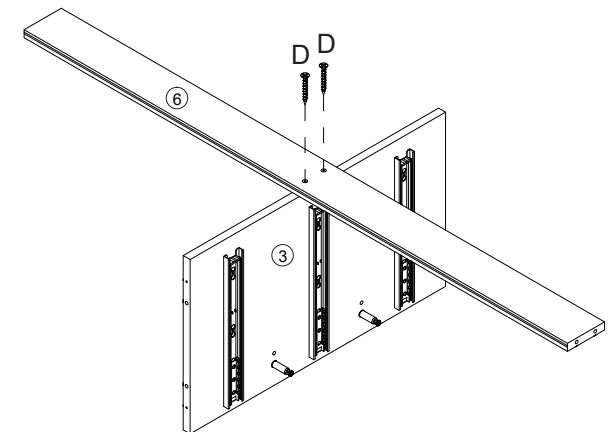


## STEP3



F-1\*6  
A\*4  
E\*18

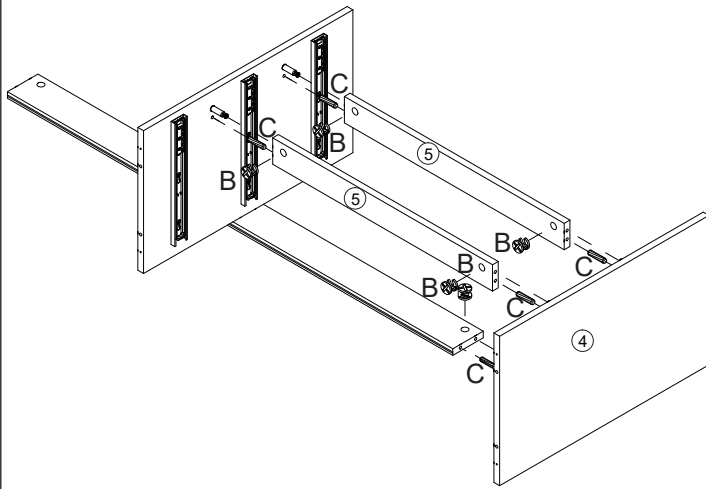
## STEP4



D\*2

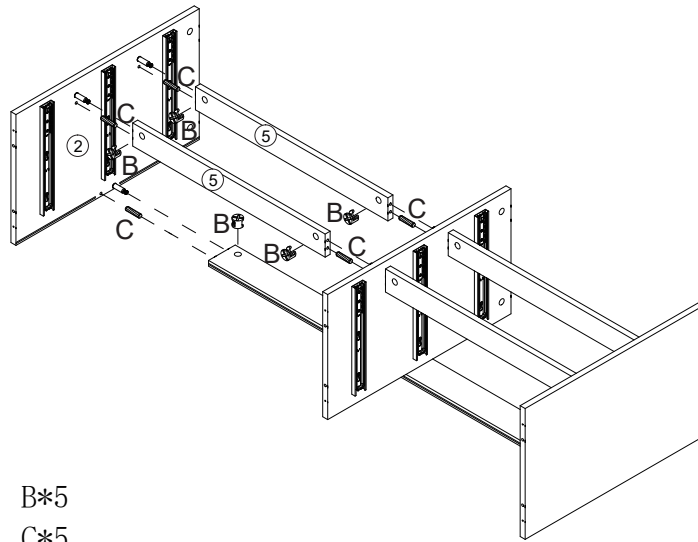
# ASSEMBLY INSTRUCTION

STEP5



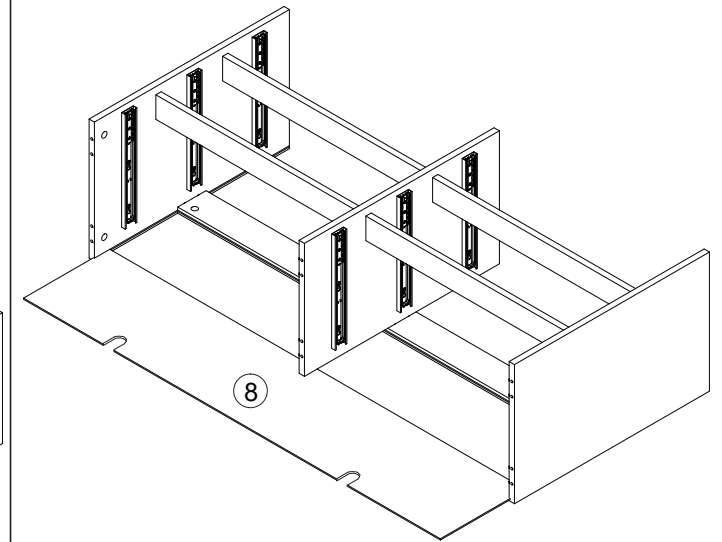
B\*5  
C\*5

STEP6

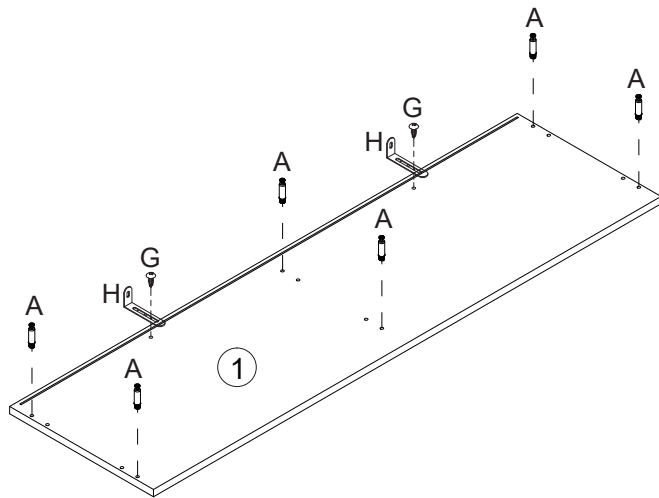


B\*5  
C\*5

STEP7

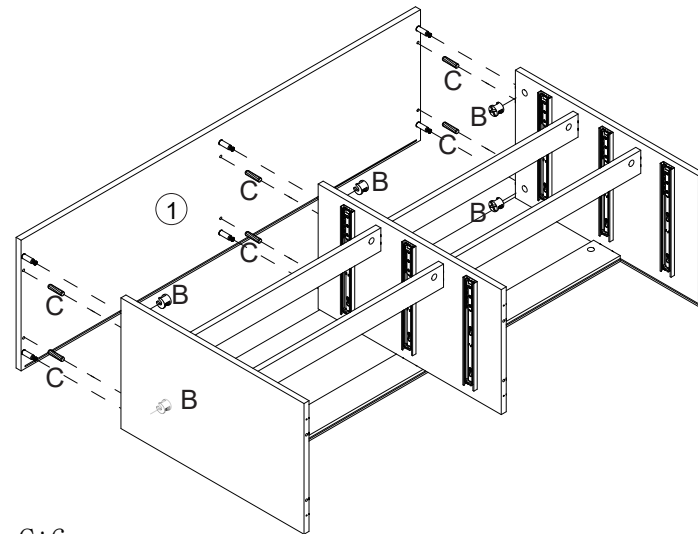


STEP8



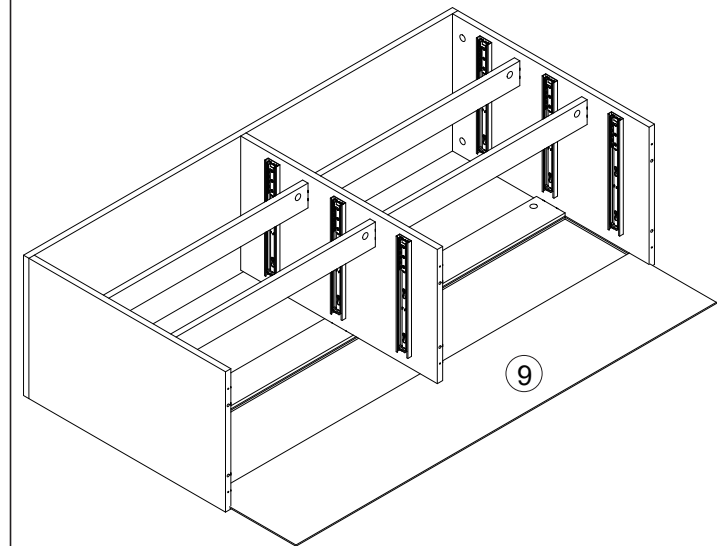
A\*6  
G\*2  
H\*2

STEP9



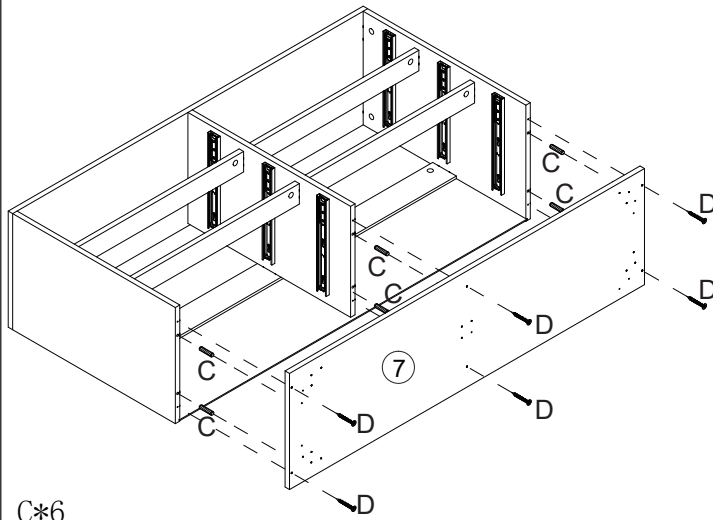
C\*6  
B\*6

STEP10



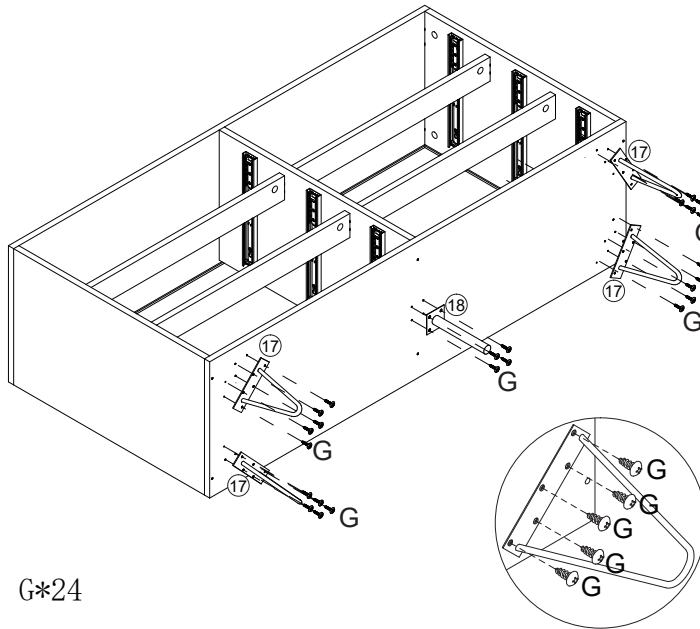
# ASSEMBLY INSTRUCTION

STEP11



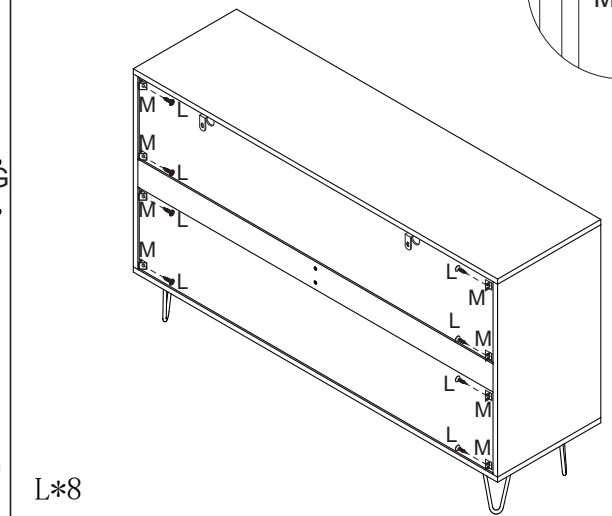
C\*6  
D\*6

STEP12



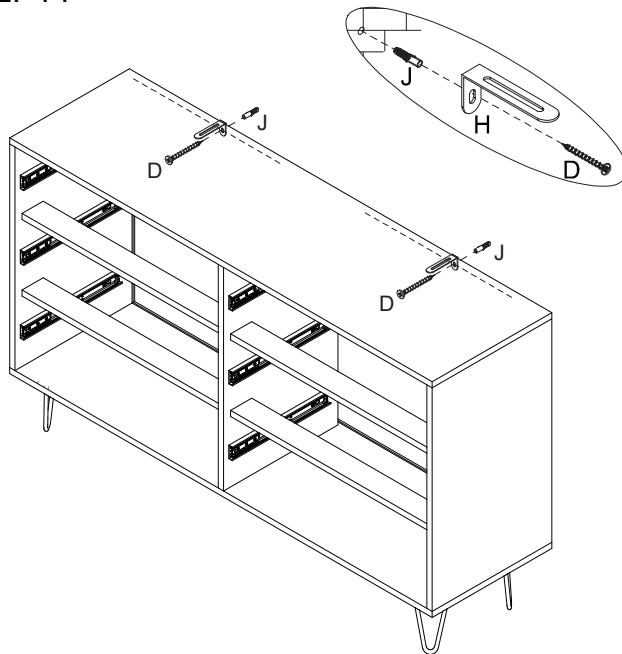
G\*24

STEP13



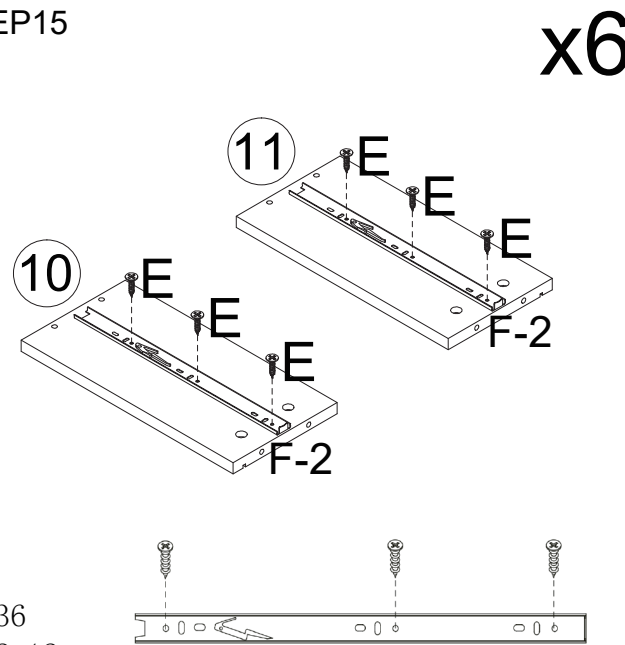
L\*8  
M\*8

STEP14



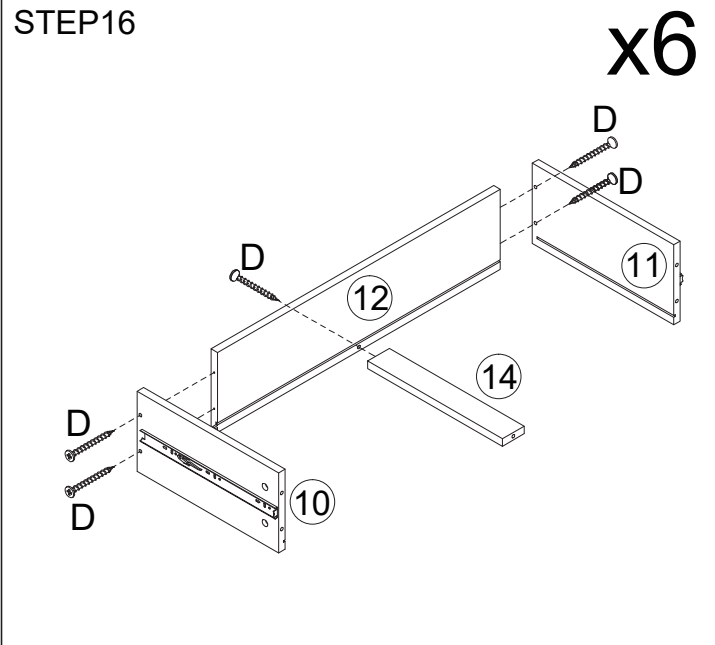
J\*2  
D\*2

STEP15



E\*36  
F-2\*12

STEP16

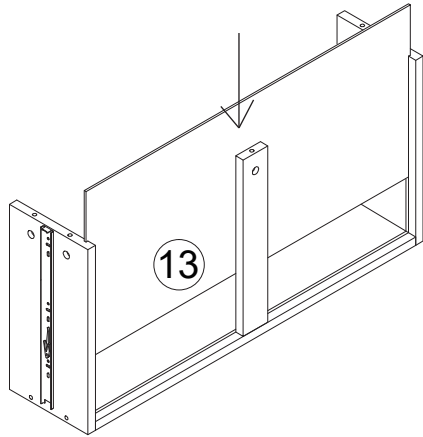


D\*30

# ASSEMBLY INSTRUCTION

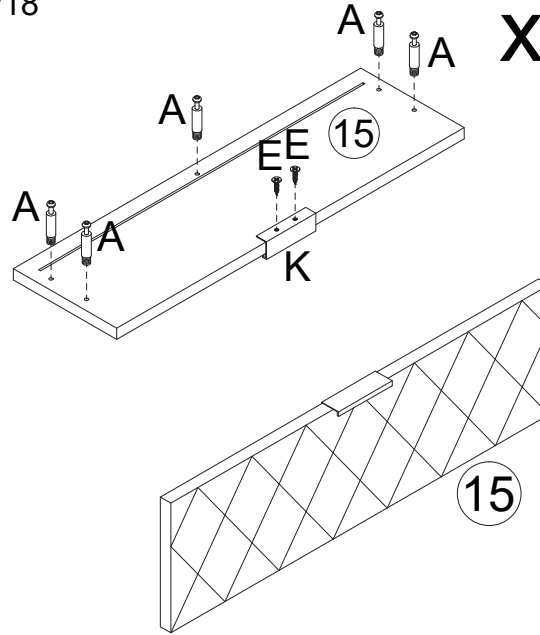
STEP17

x6



STEP18

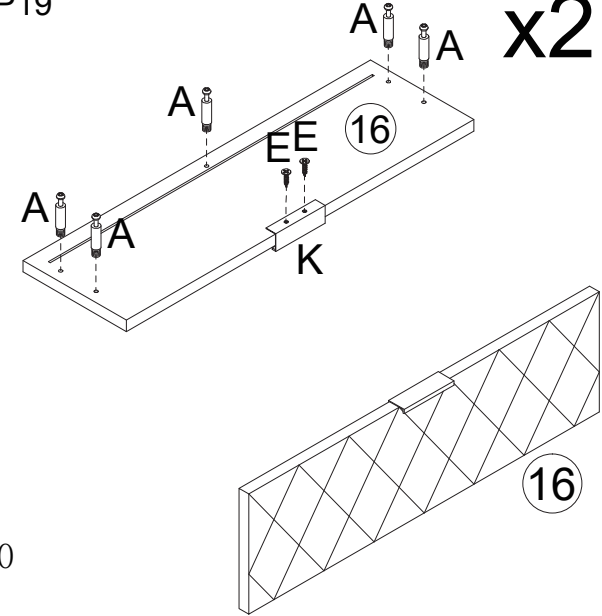
x4



A\*20  
E\*8  
K\*4

STEP19

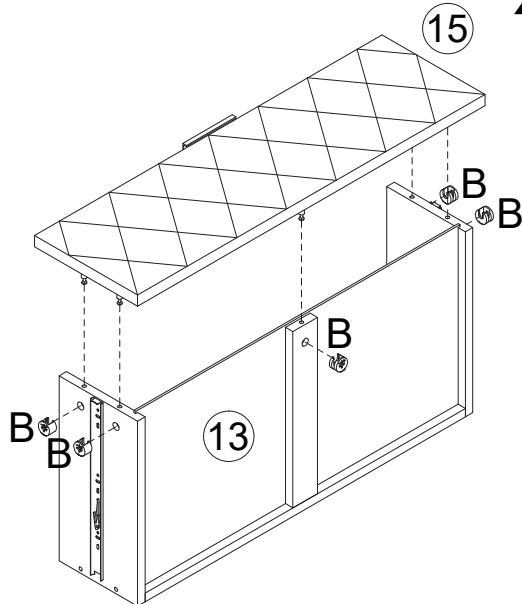
x2



A\*10  
E\*4  
K\*2

STEP20

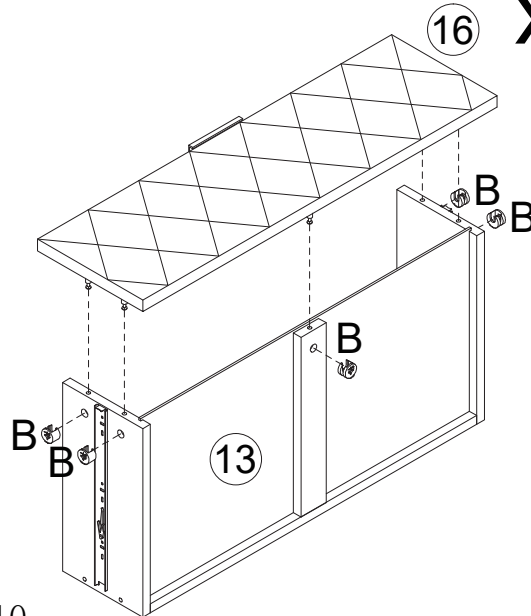
x4



B\*20

STEP21

x2



B\*10

STEP22

