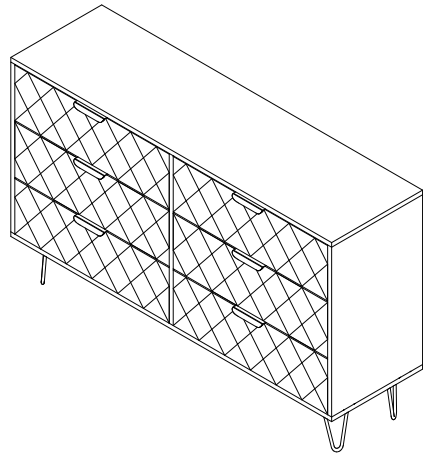
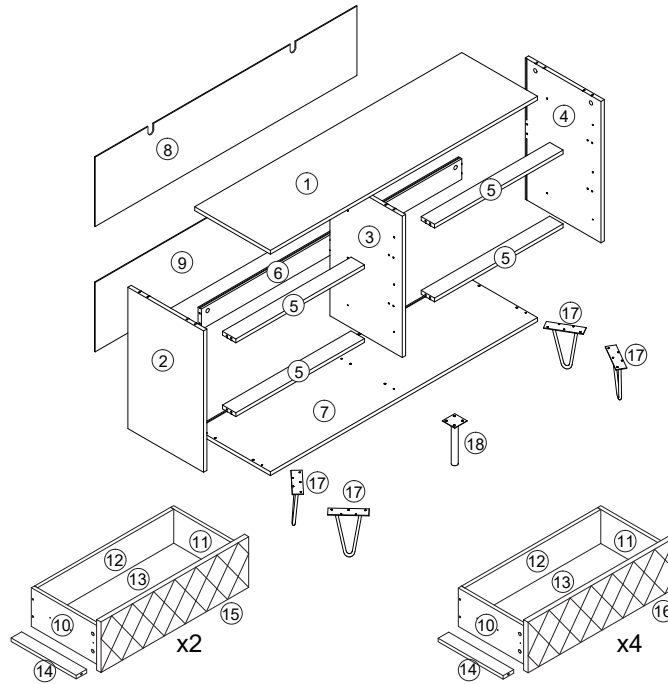


ASSEMBLY INSTRUCTION

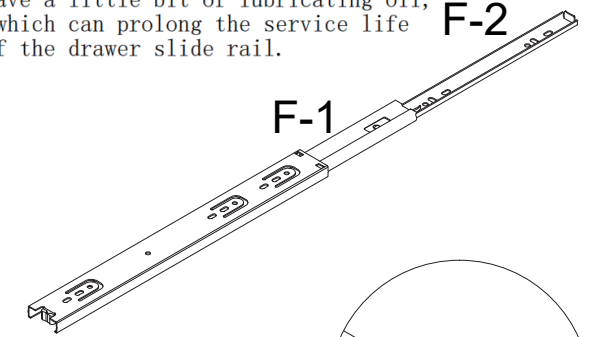


Ax46	Bx46	Cx22	4x35mm Dx40	3x12mm Ex84	Fx12	4x12mm Gx26	Hx2
Jx2	Kx6	3x14mm Lx8	Mx8				

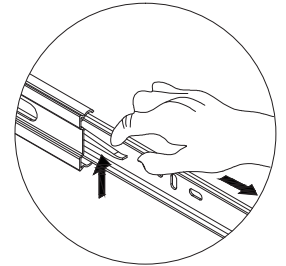


STEP1

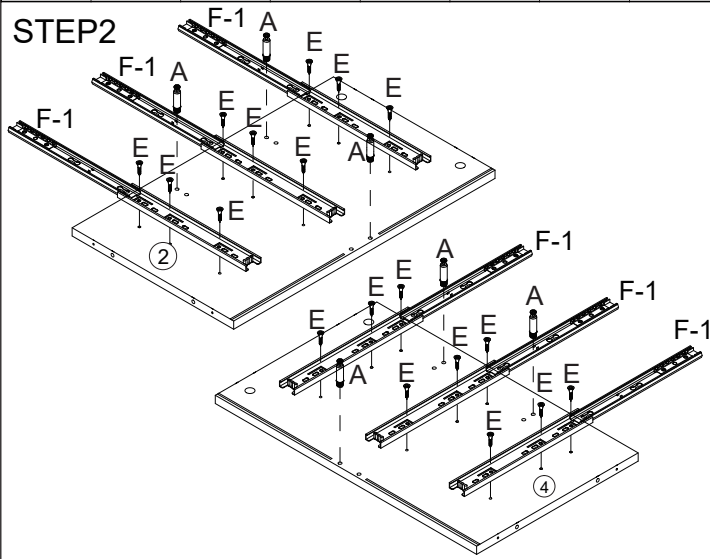
Note:
The slider balls of the slide rail have a little bit of lubricating oil, which can prolong the service life of the drawer slide rail.



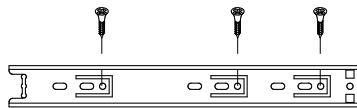
The F drawer rail needs to be manually split into F1 drawer rail and F2 drawer rail by snapping.



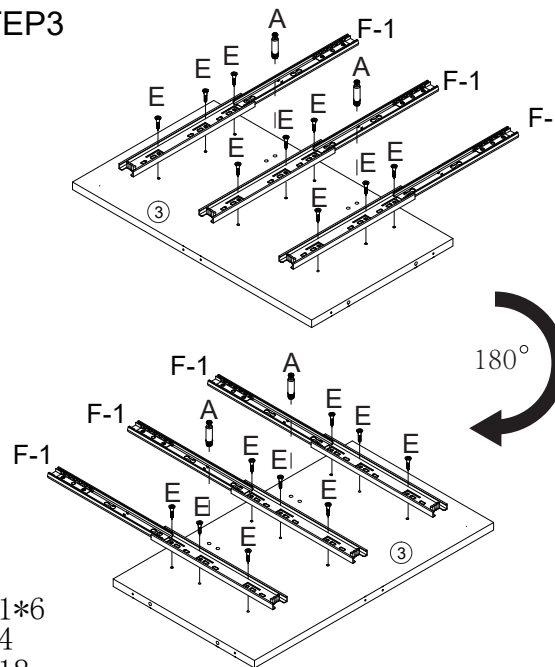
STEP2



F-1*6
A*6
E*18

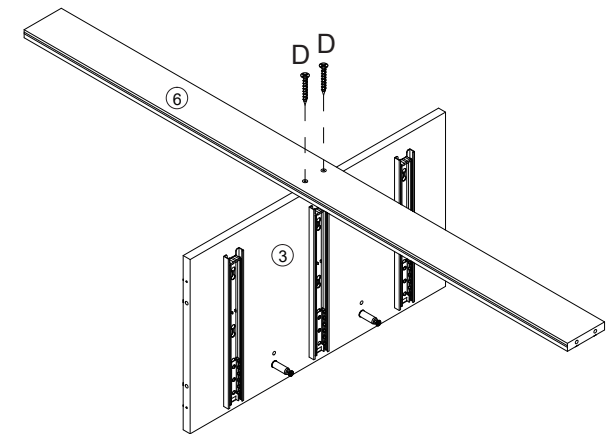


STEP3



F-1*6
A*4
E*18

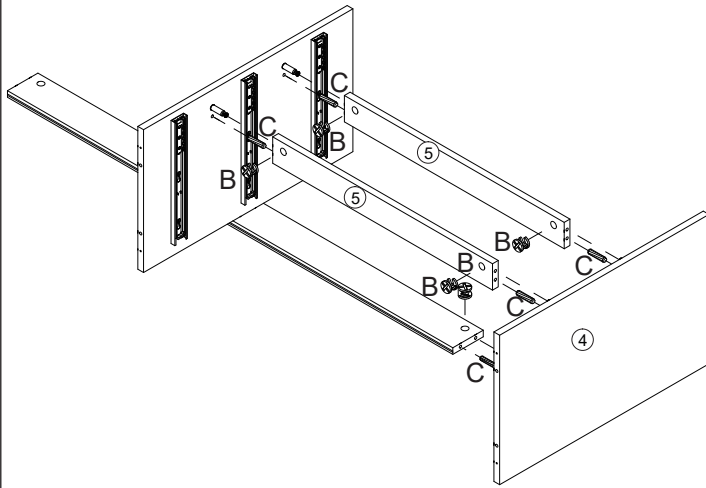
STEP4



D*2

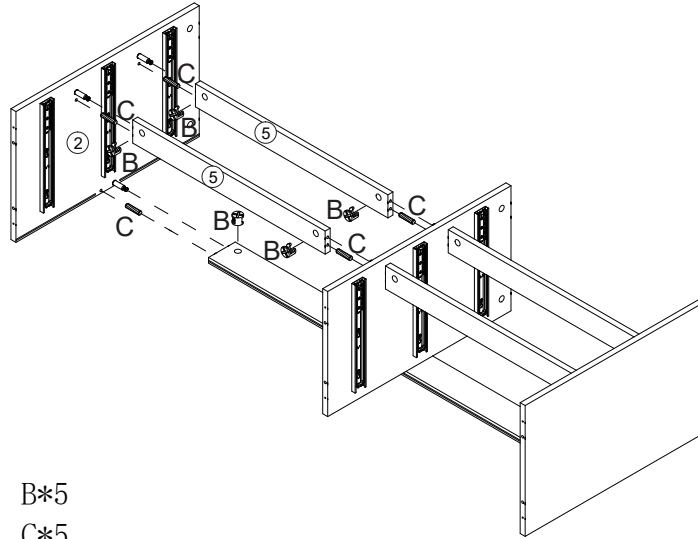
ASSEMBLY INSTRUCTION

STEP5



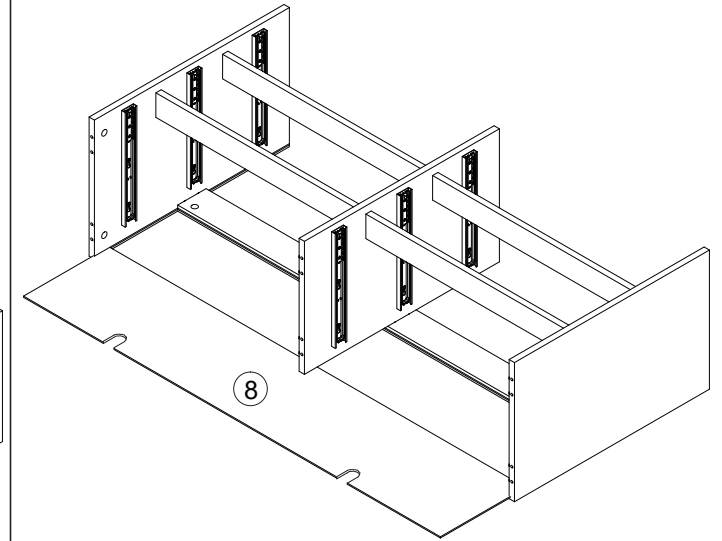
B*5
C*5

STEP6

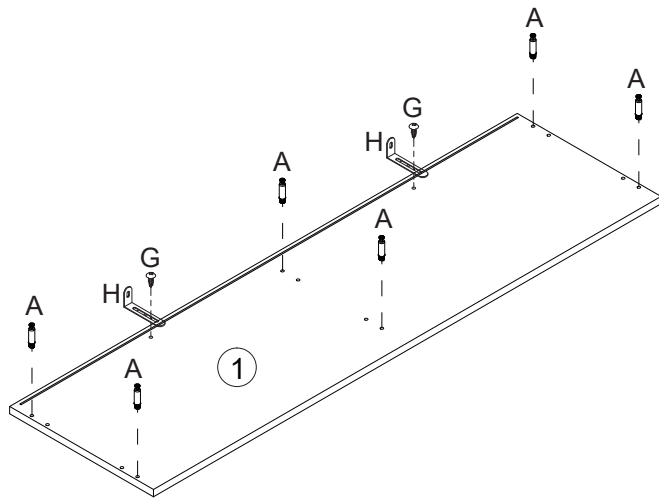


B*5
C*5

STEP7

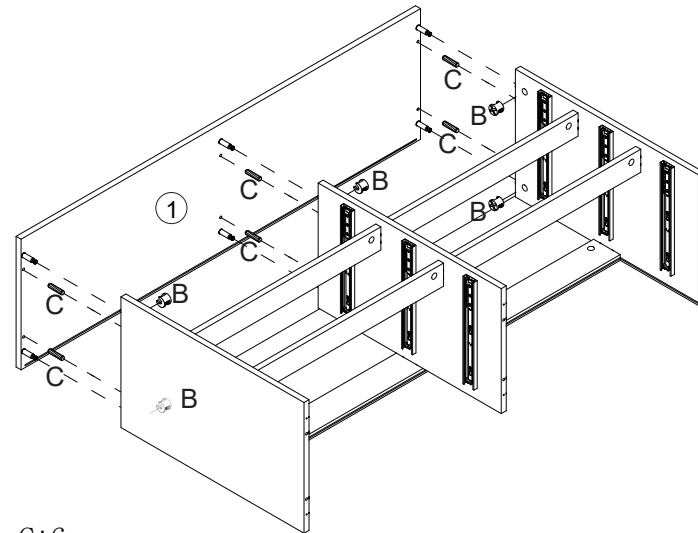


STEP8



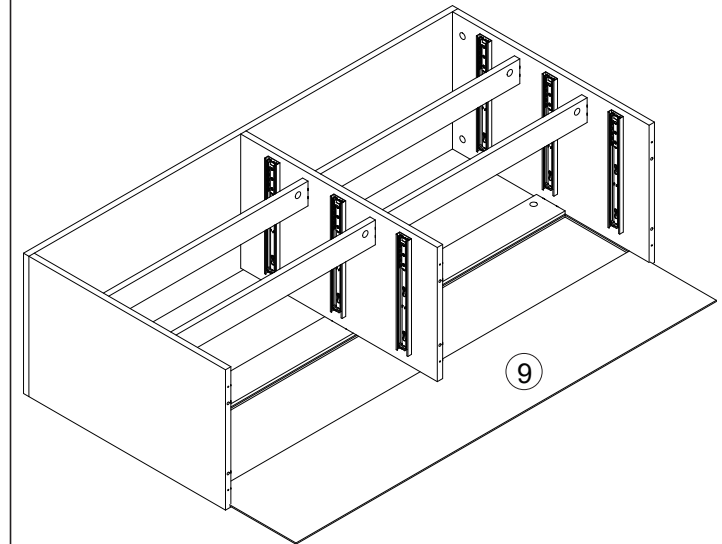
A*6
G*2
H*2

STEP9



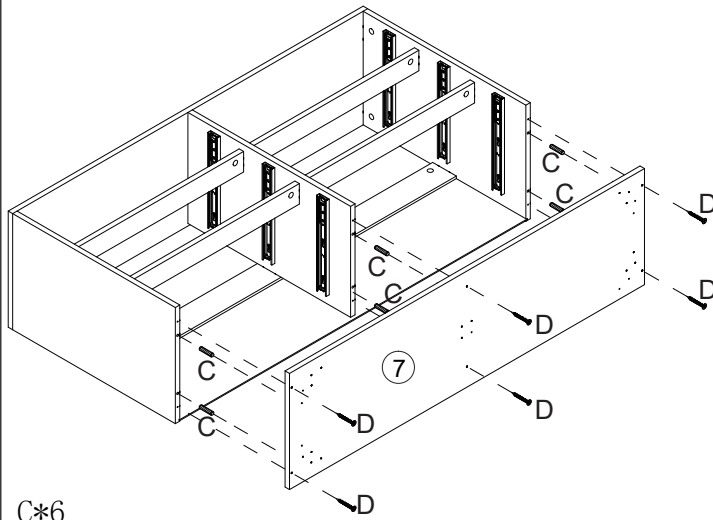
C*6
B*6

STEP10



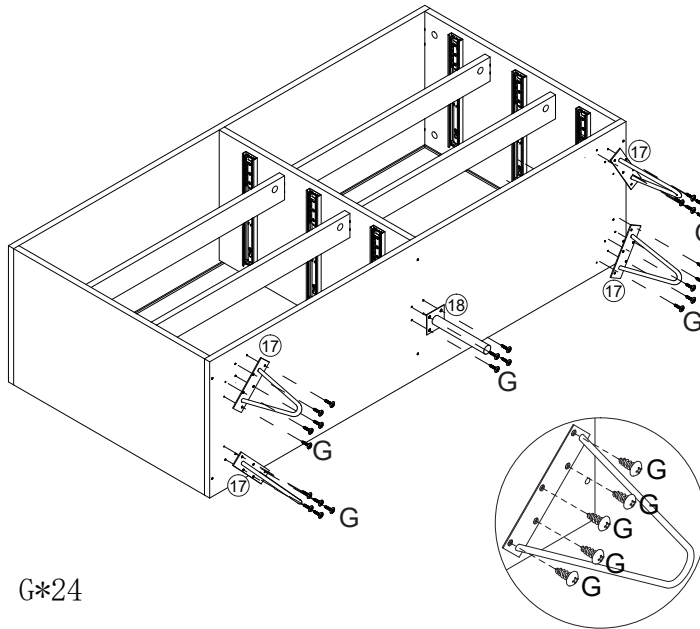
ASSEMBLY INSTRUCTION

STEP11



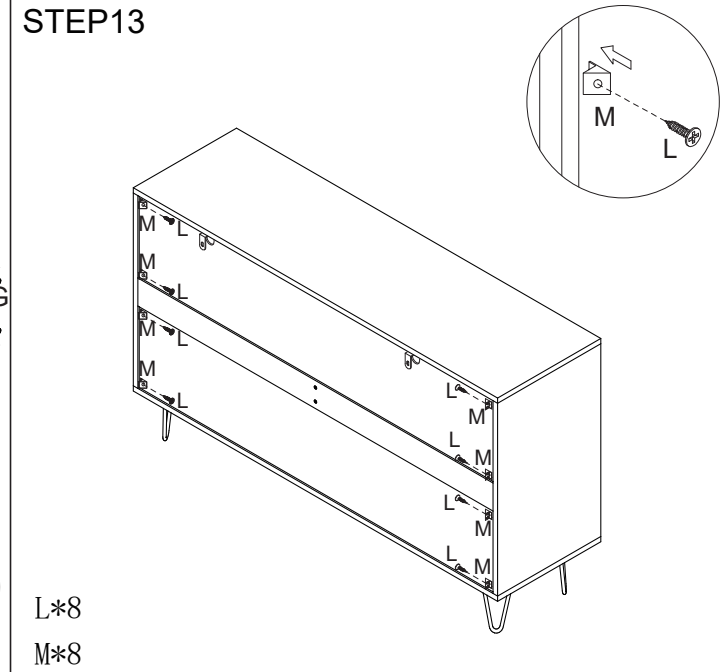
C*6
D*6

STEP12



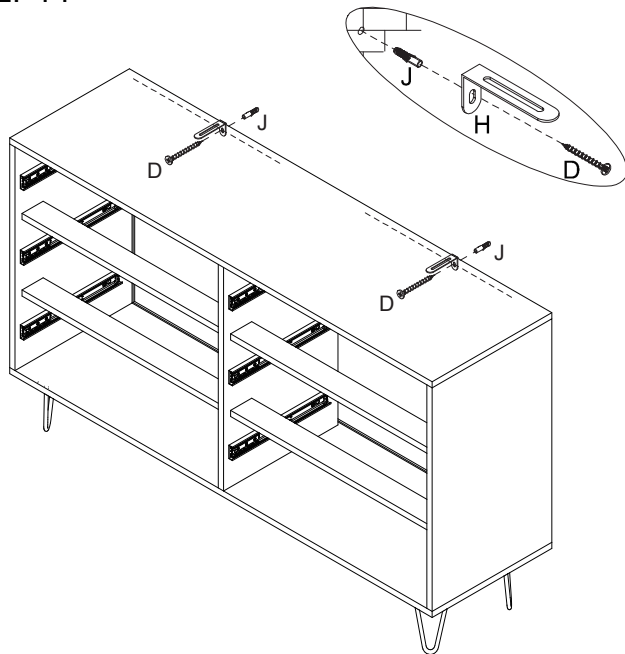
G*24

STEP13



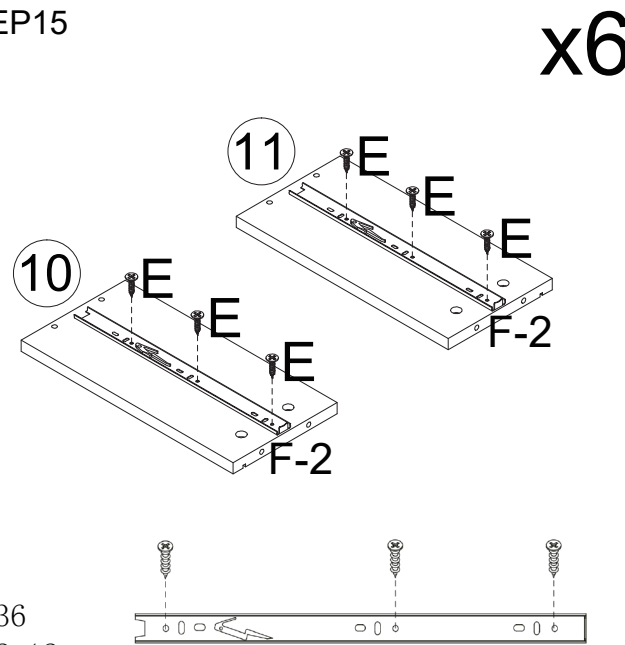
L*8
M*8

STEP14



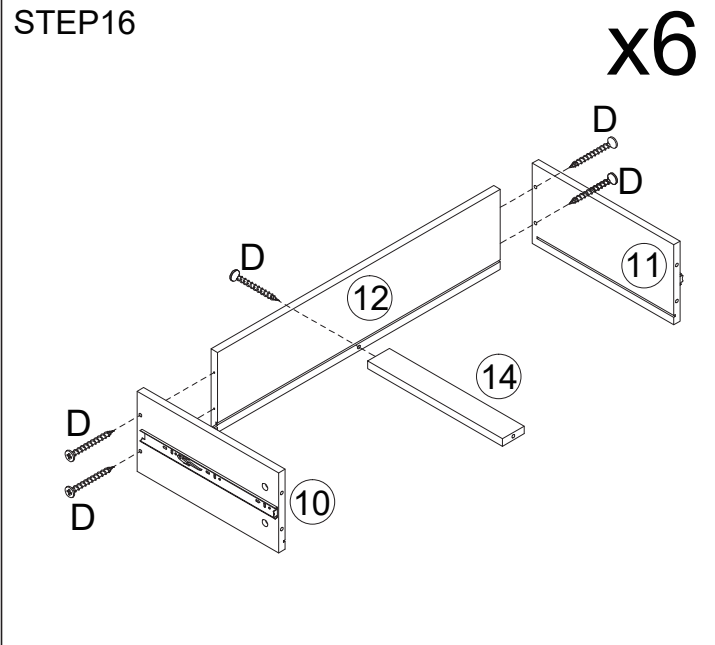
J*2
D*2

STEP15



E*36
F-2*12

STEP16

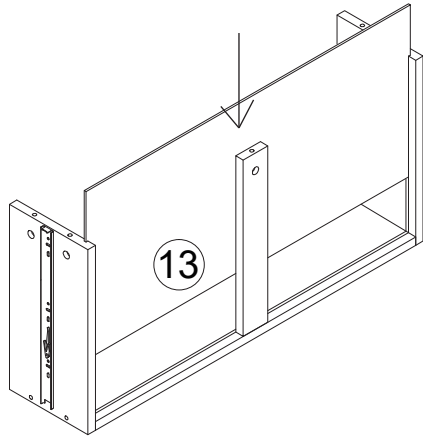


D*30

ASSEMBLY INSTRUCTION

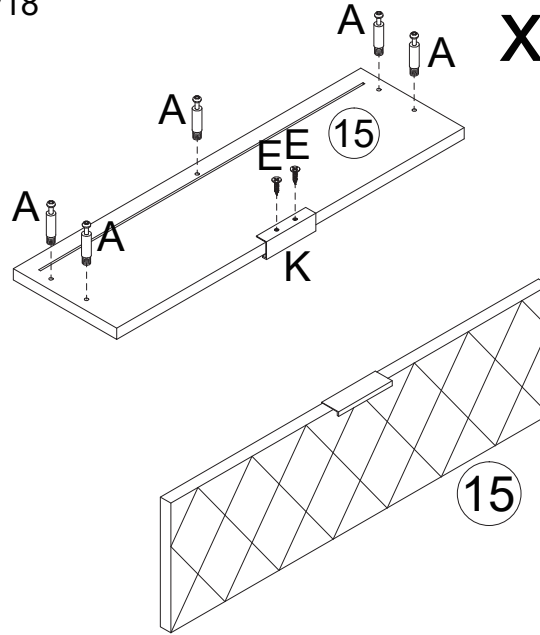
STEP17

x6



STEP18

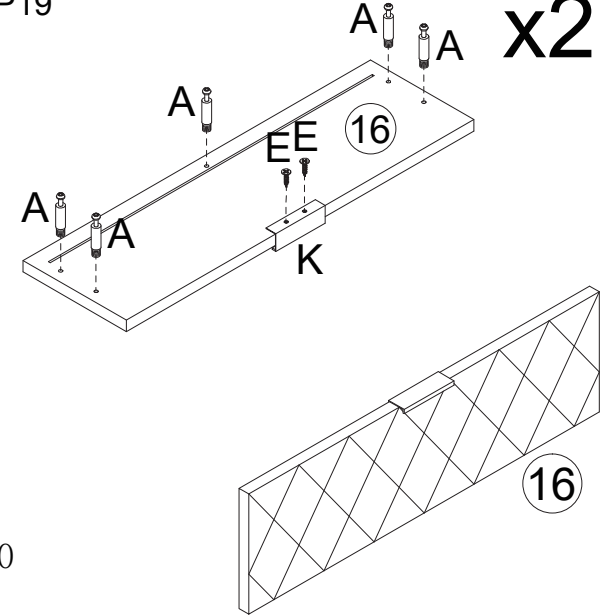
x4



A*20
E*8
K*4

STEP19

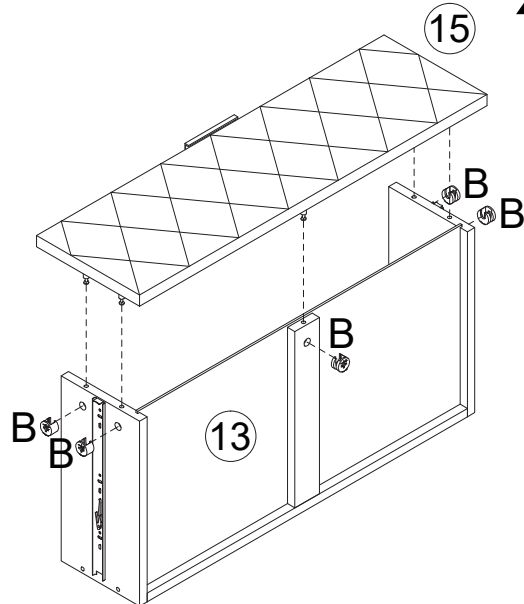
x2



A*10
E*4
K*2

STEP20

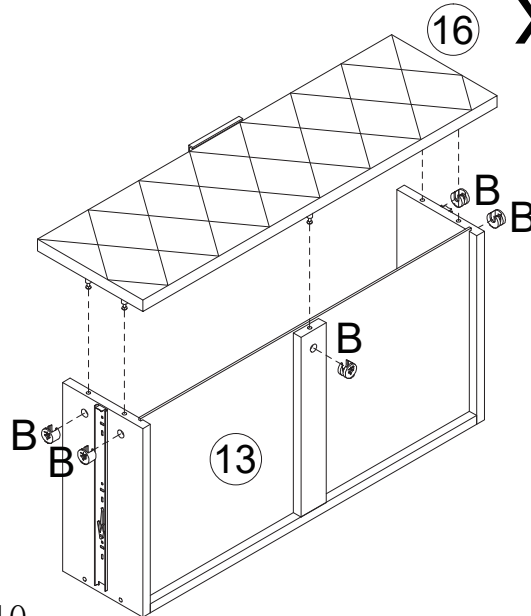
x4



B*20

STEP21

x2



B*10

STEP22

