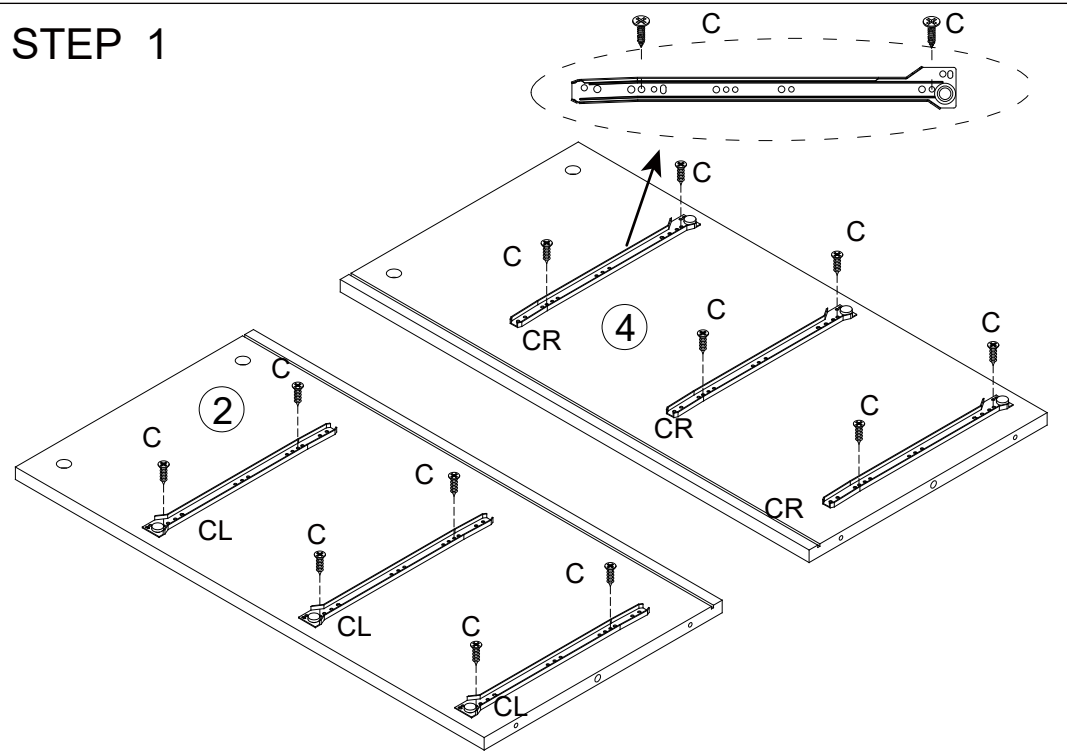


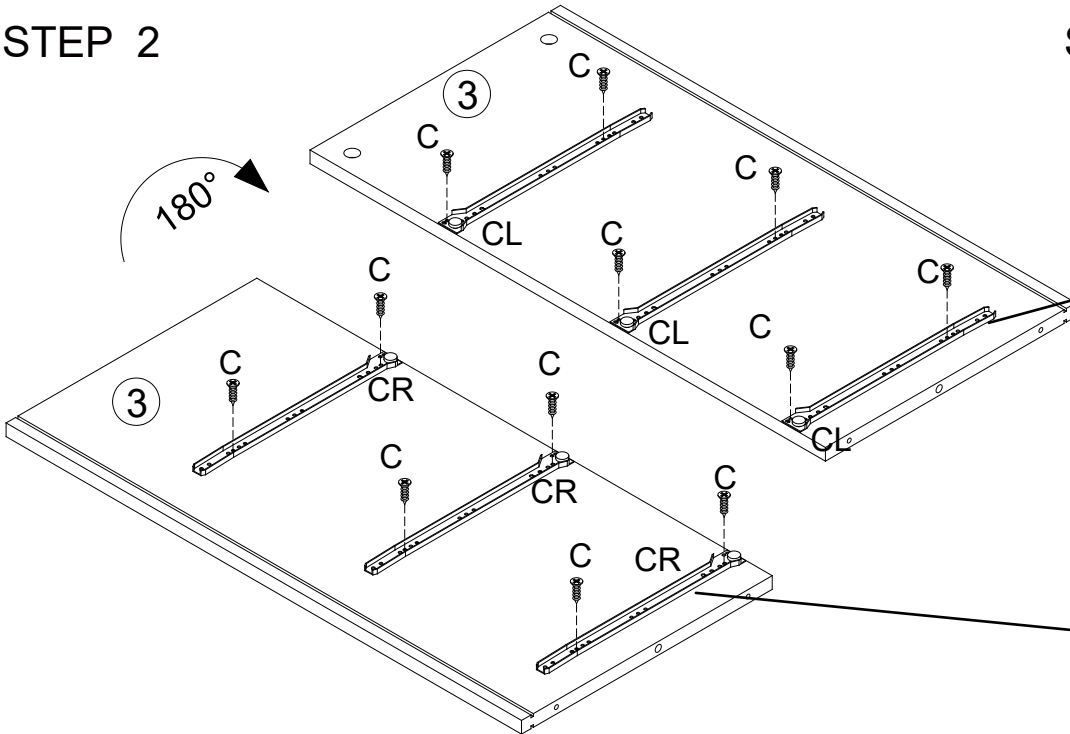
	A	36pcs
	B	36pcs
	C	48pcs
	D	18pcs
	E	38pcs
	F	22pcs
	G	6pcs
	H	4pcs
	I	1pc
	J	8pcs
	K	1pc
	L	8pcs
	M	1pc
	N	2pcs
	O	2pcs
	P	2pcs
	Q	4pcs
	R	1pc

	CL	6pcs
	CR	6pcs
	DL	6pcs
	DR	6pcs

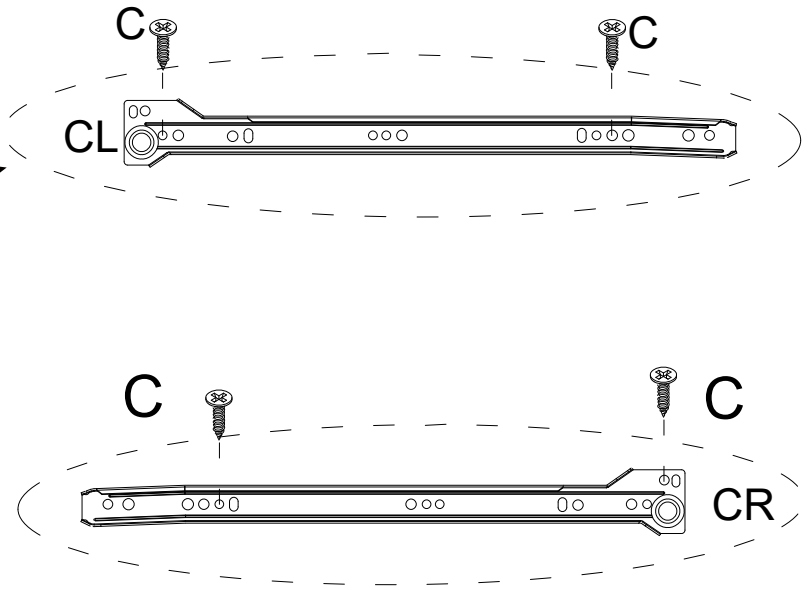
### STEP 1



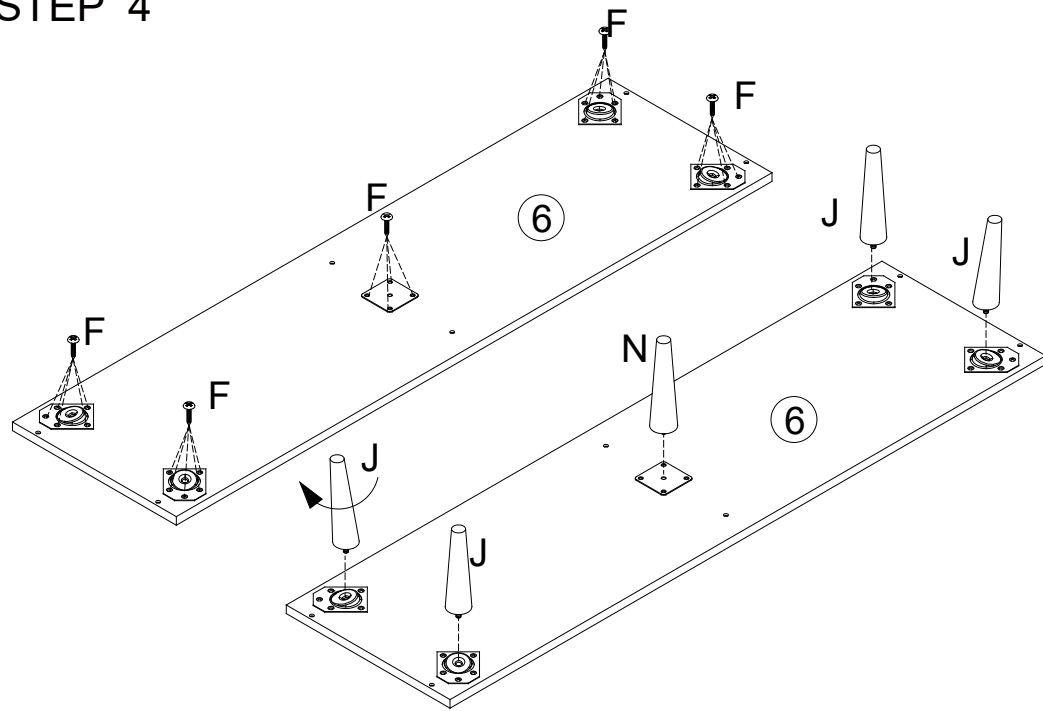
### STEP 2



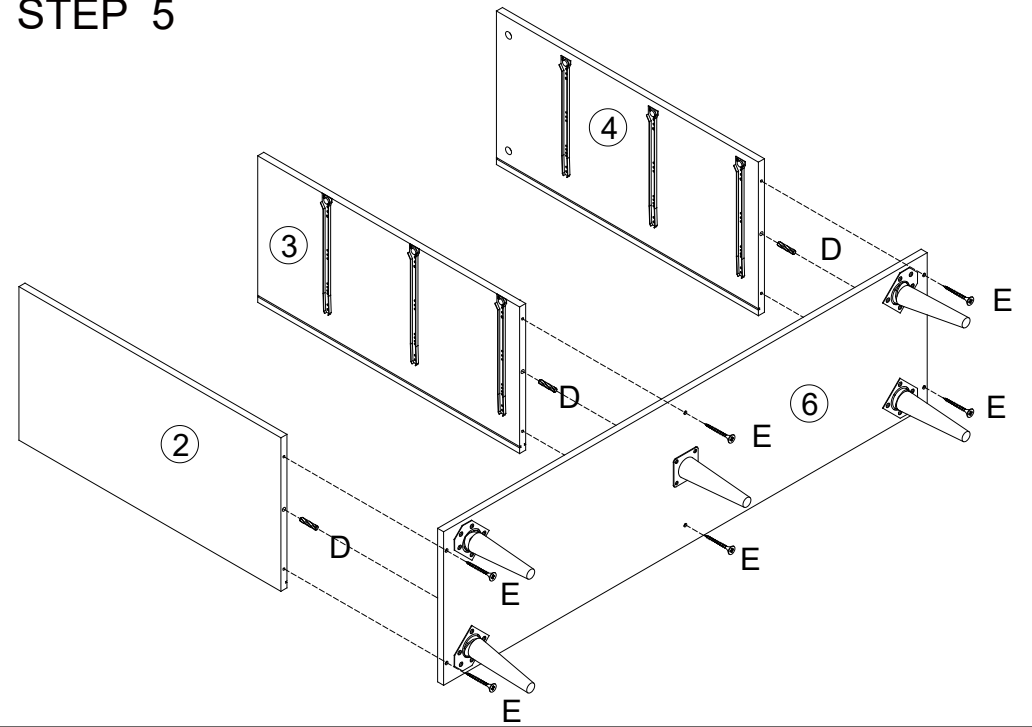
### STEP 3



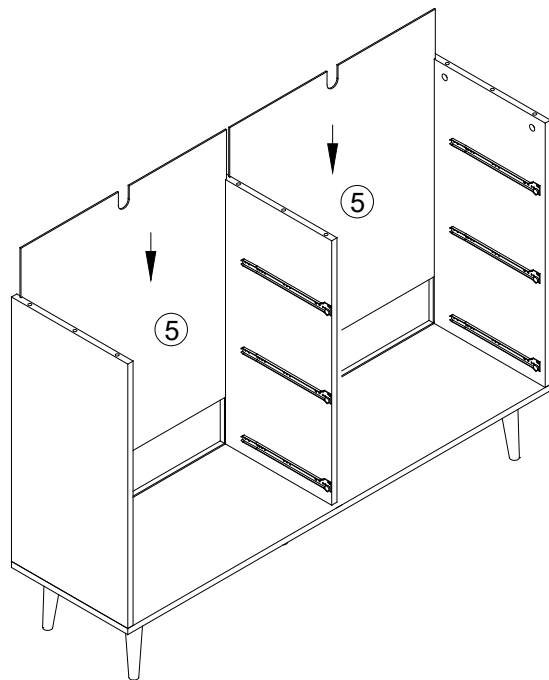
### STEP 4



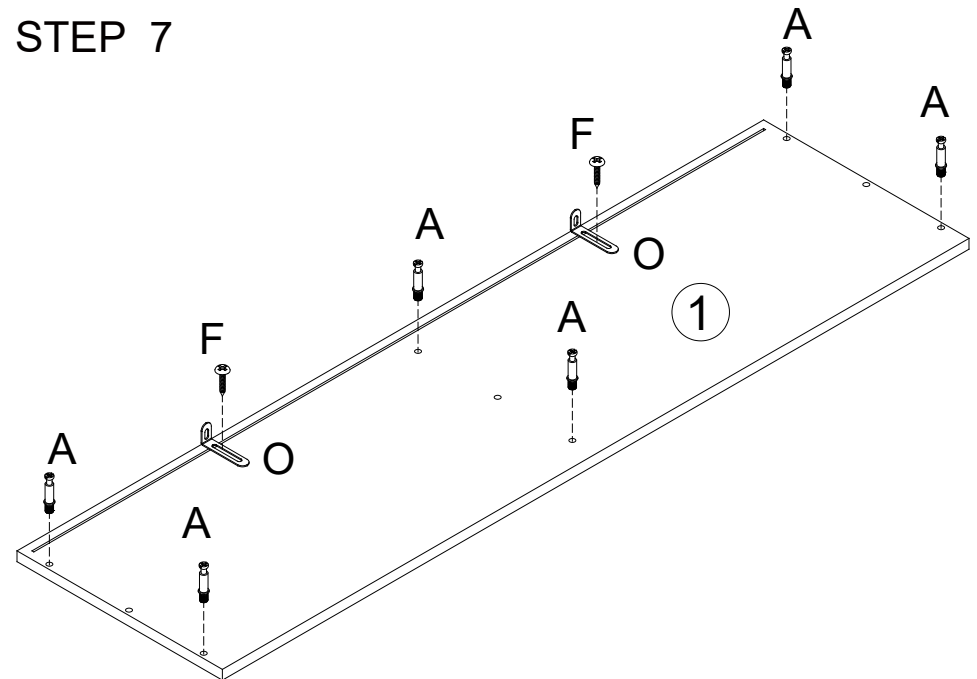
### STEP 5



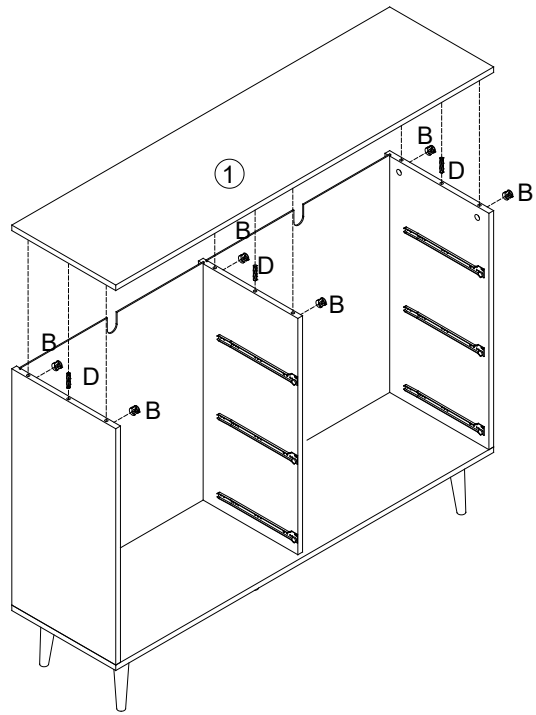
### STEP 6



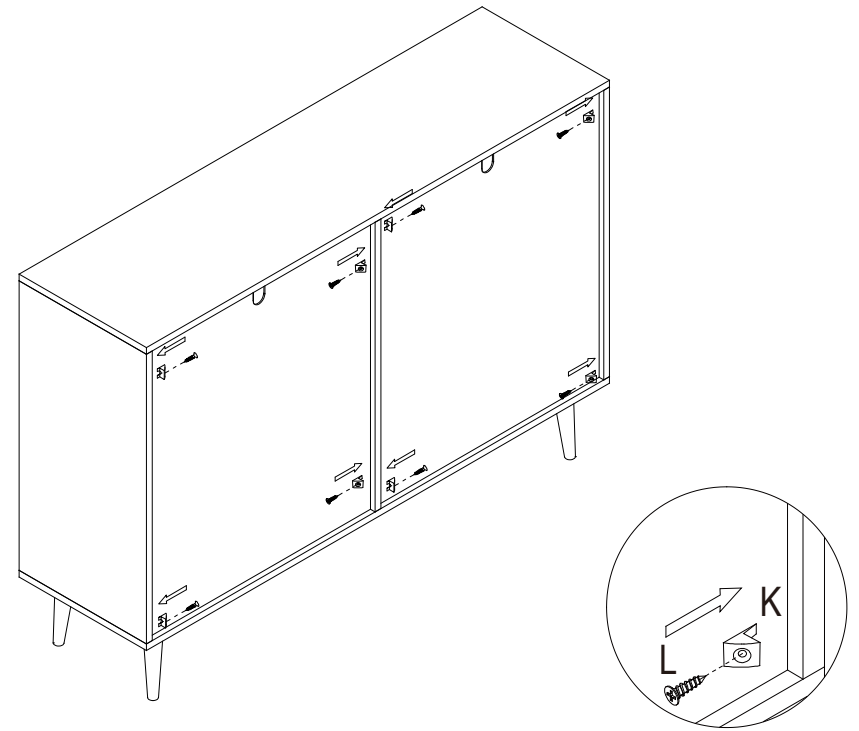
### STEP 7



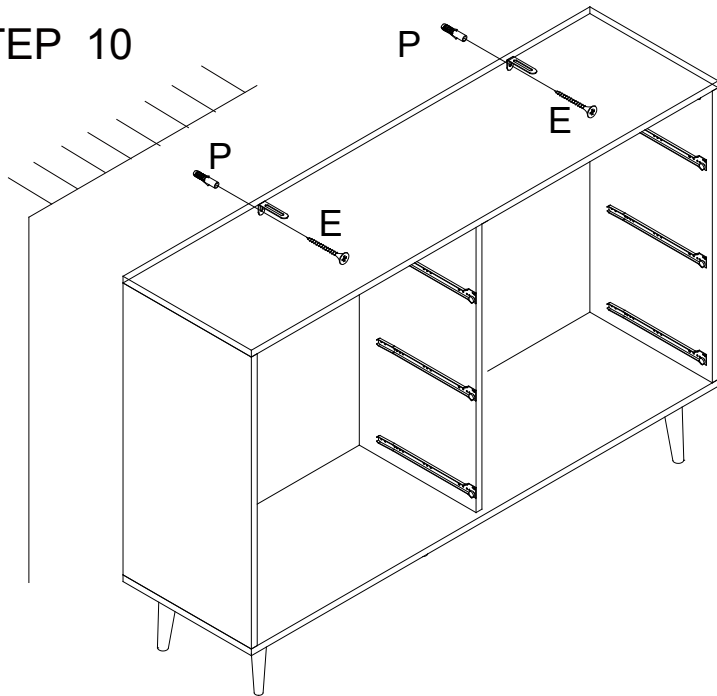
# STEP 8



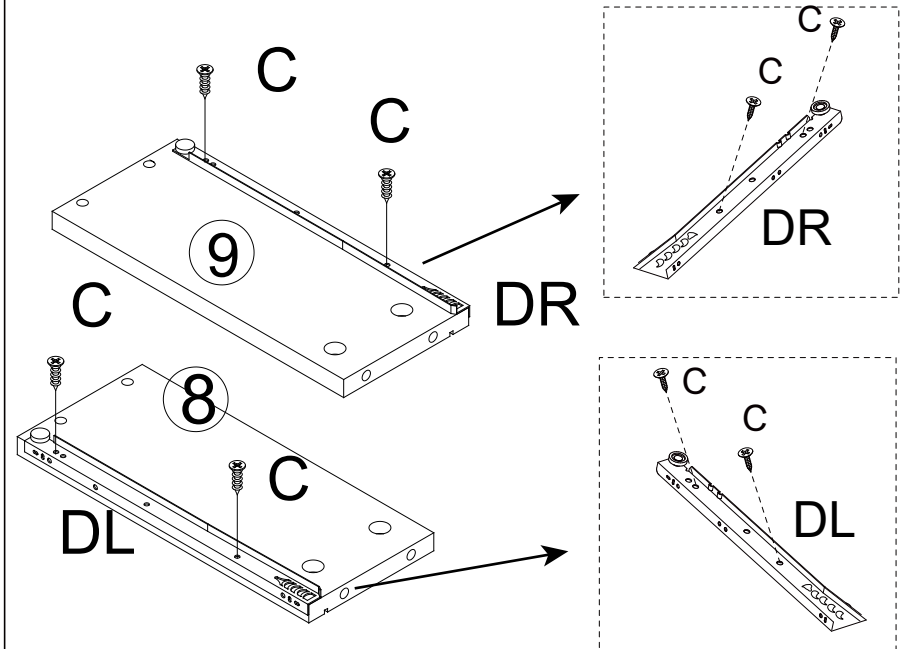
# STEP 9



# STEP 10

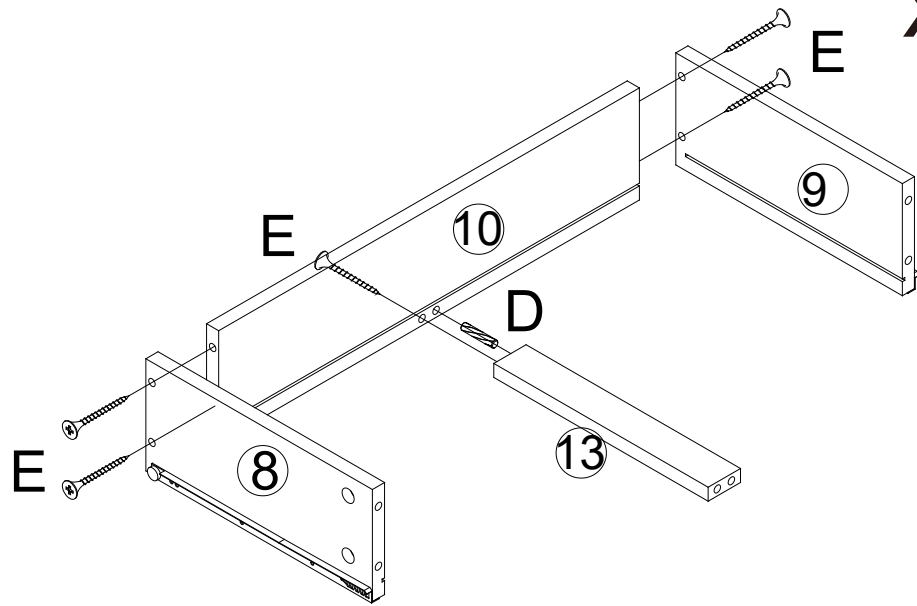


# STEP 11



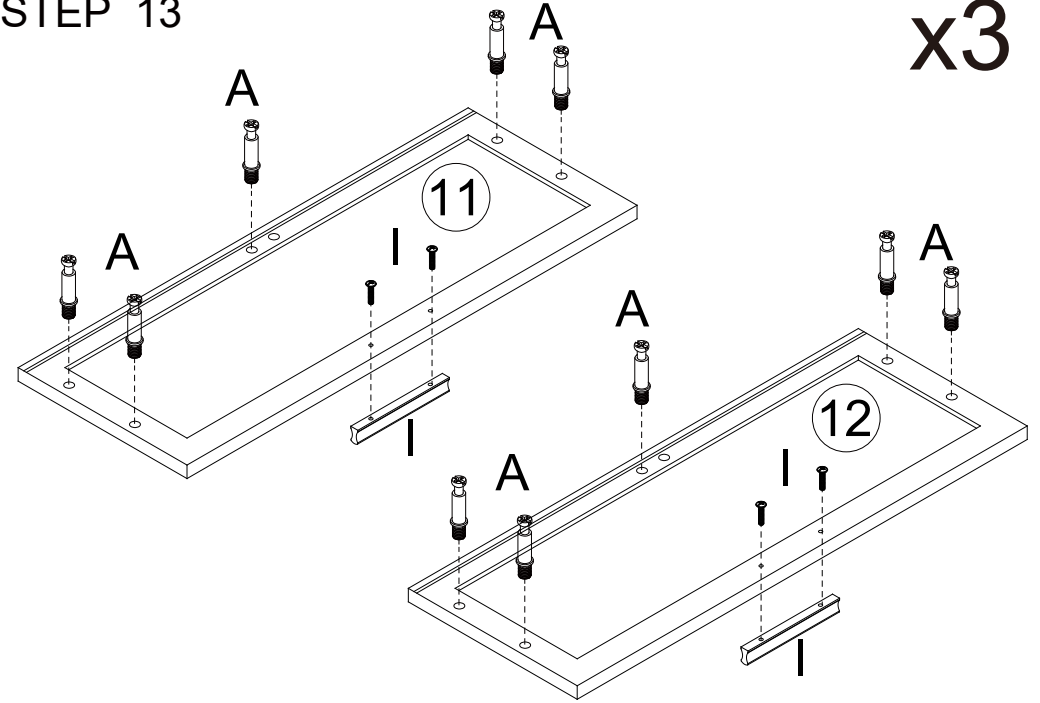
STEP 12

x6



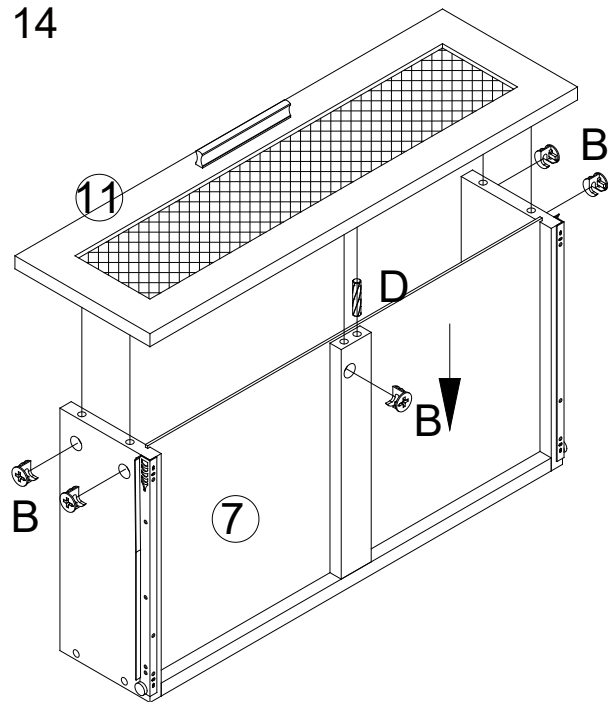
STEP 13

x3



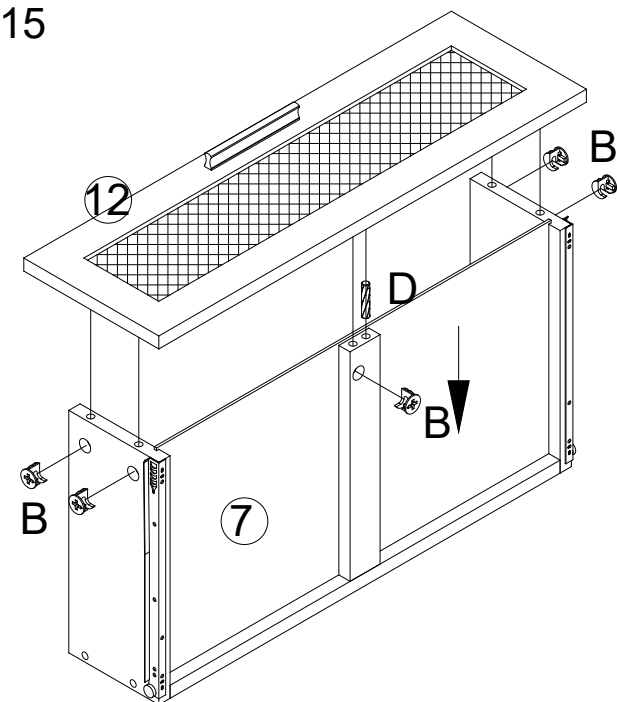
STEP 14

x3

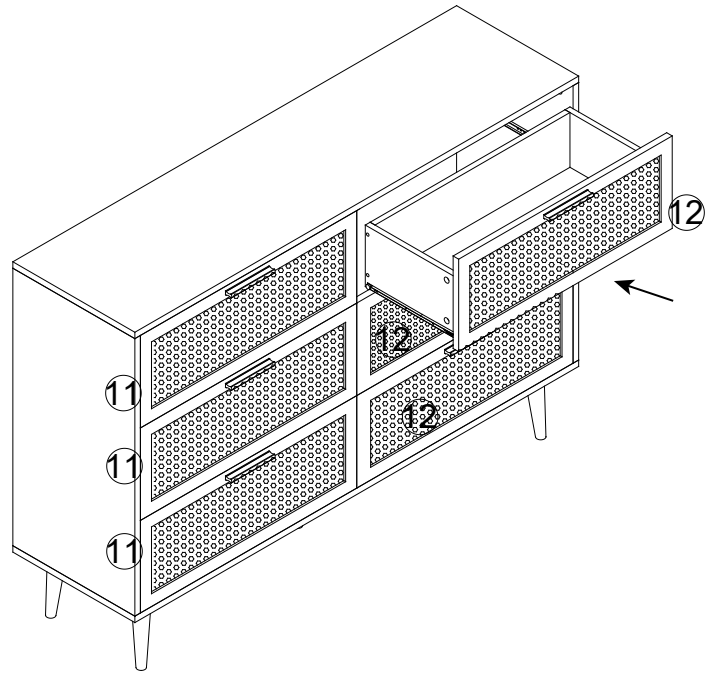


STEP 15

x3



STEP 16



STEP 17

