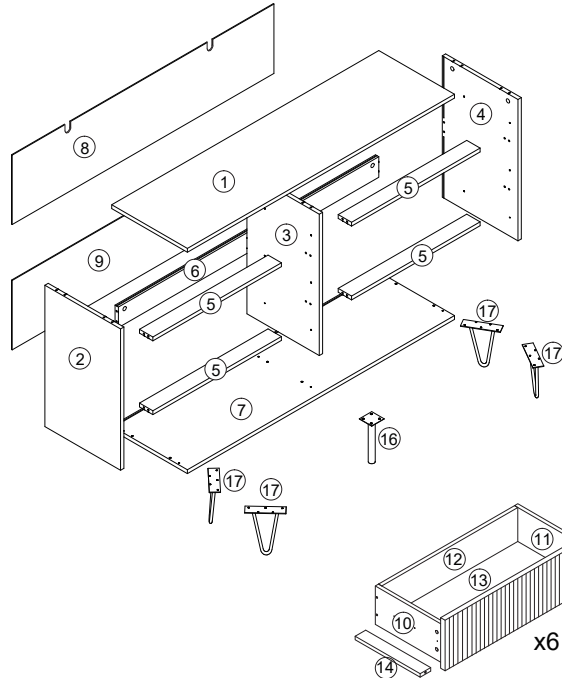
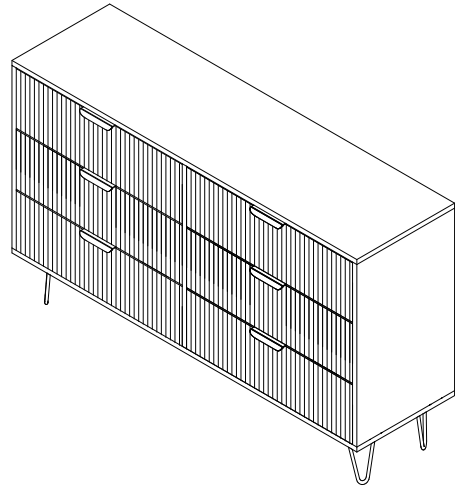
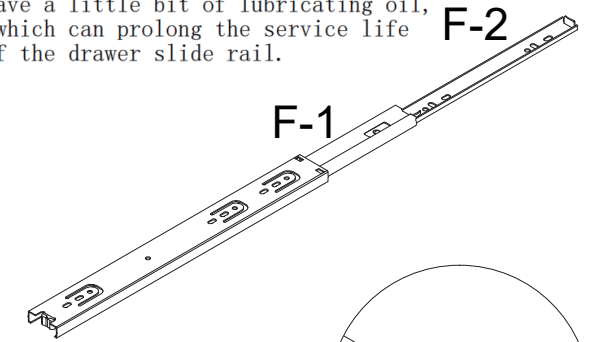


ASSEMBLY INSTRUCTION

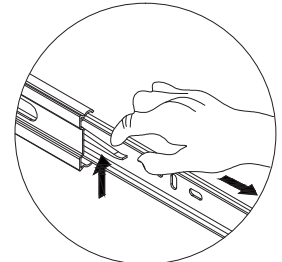


STEP1

Note:
The slider balls of the slide rail have a little bit of lubricating oil, which can prolong the service life of the drawer slide rail.



The F drawer rail needs to be manually split into F1 drawer rail and F2 drawer rail by snapping.



Ax46	Bx46	Cx22	4x35mm Dx40	3x12mm Ex84	Fx12	4x12mm Gx26	Hx2
Jx2	Kx6	3x14mm Lx8	Mx8				

STEP2

F-1*6
A*6
E*18

STEP3

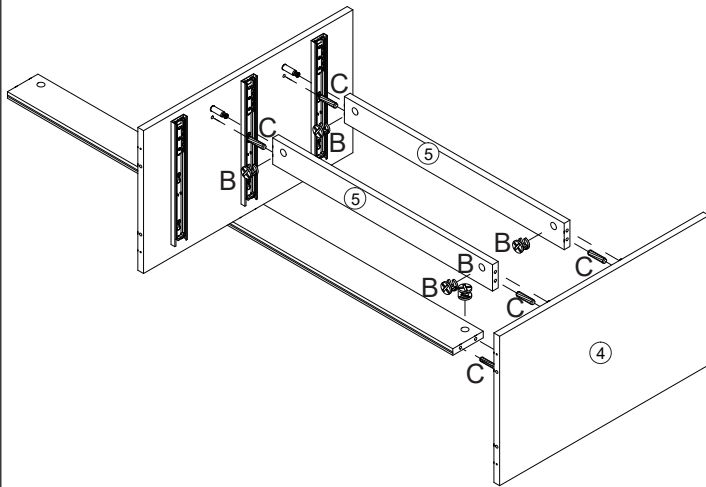
F-1*6
A*4
E*18

STEP4

D*2

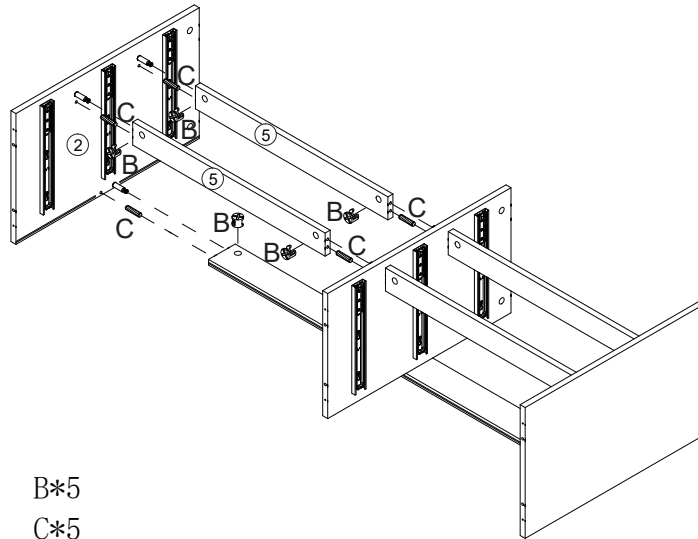
ASSEMBLY INSTRUCTION

STEP5



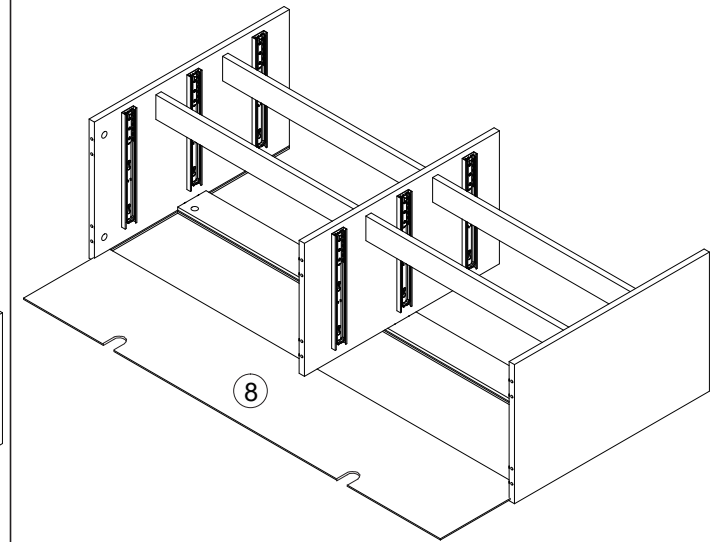
B*5
C*5

STEP6

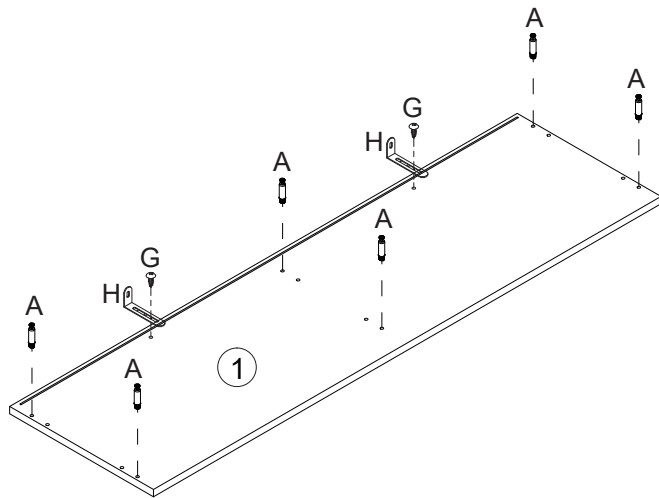


B*5
C*5

STEP7

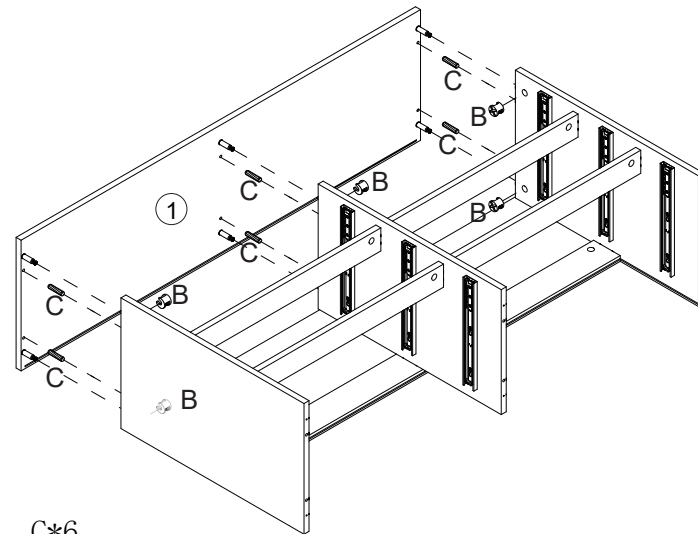


STEP8



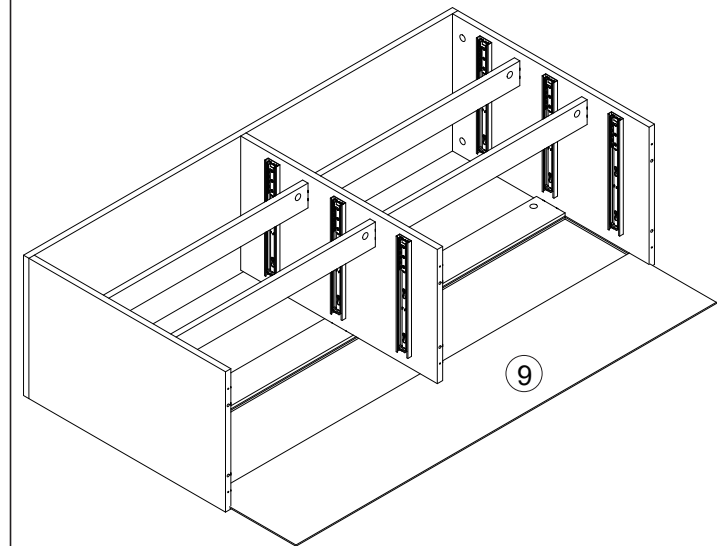
A*6
G*2
H*2

STEP9



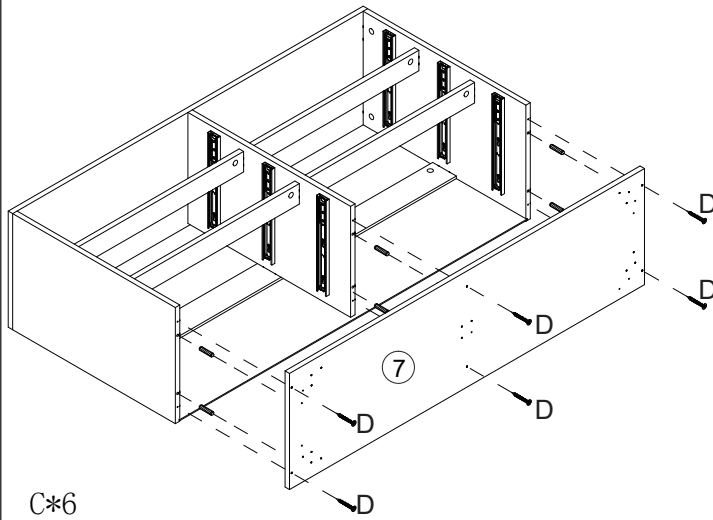
C*6
B*6

STEP10



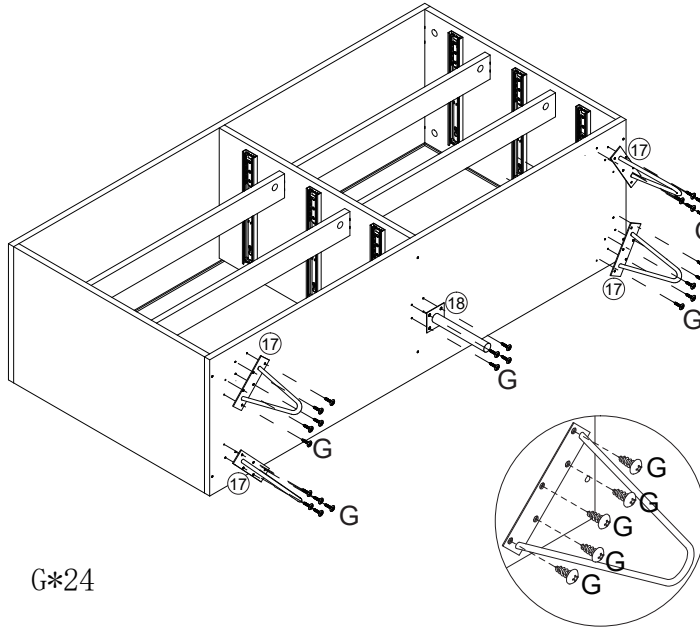
ASSEMBLY INSTRUCTION

STEP11



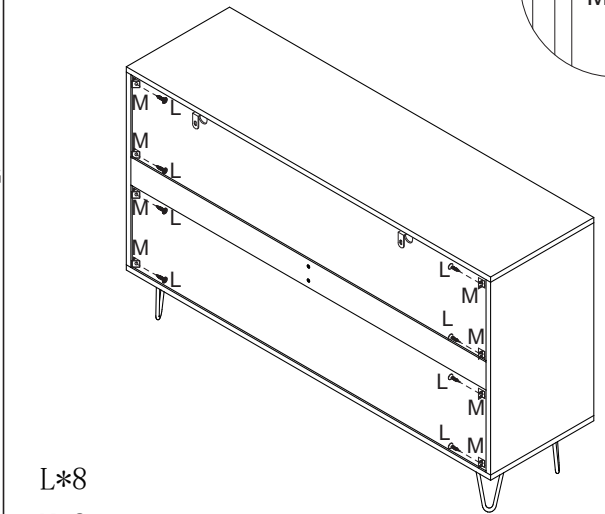
C*6
D*6

STEP12



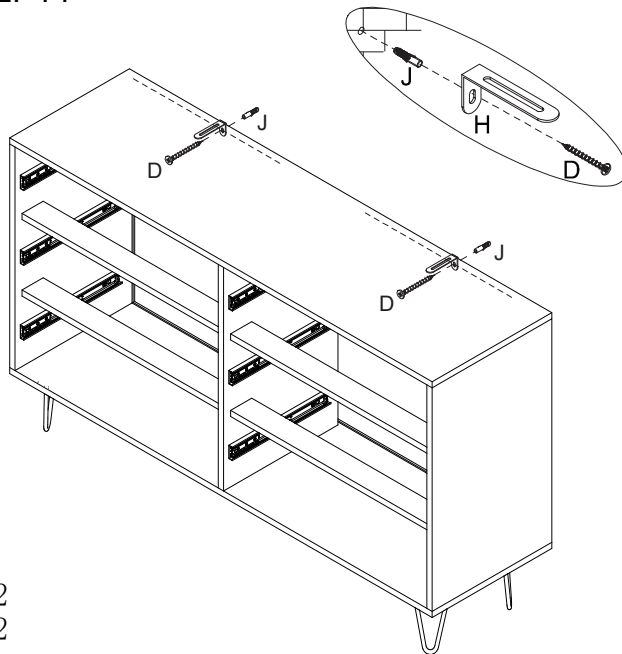
G*24

STEP13



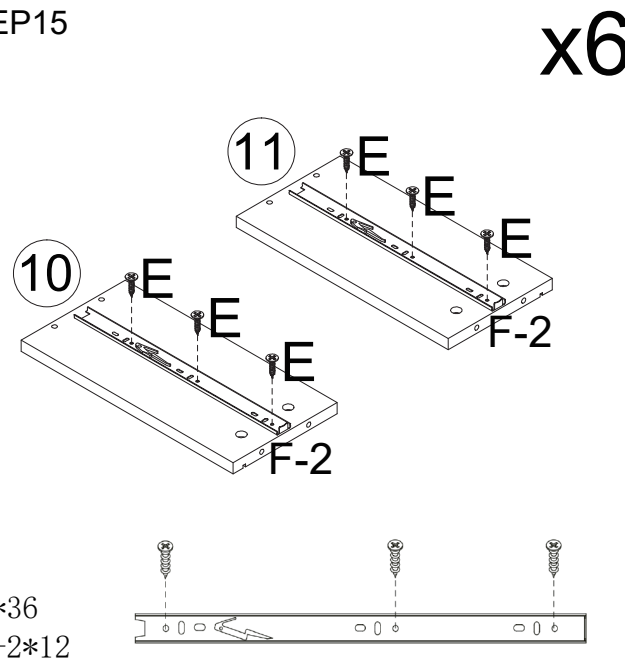
L*8
M*8

STEP14



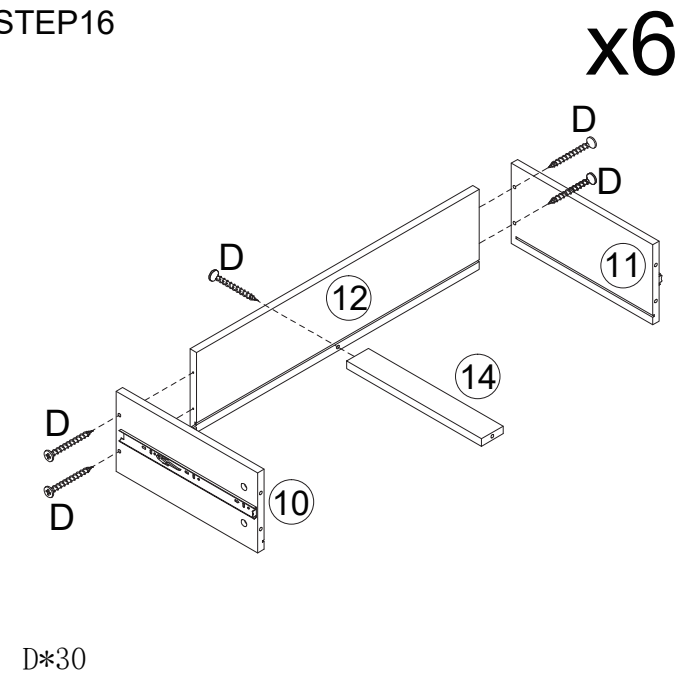
J*2
D*2

STEP15



E*36
F-2*12

STEP16

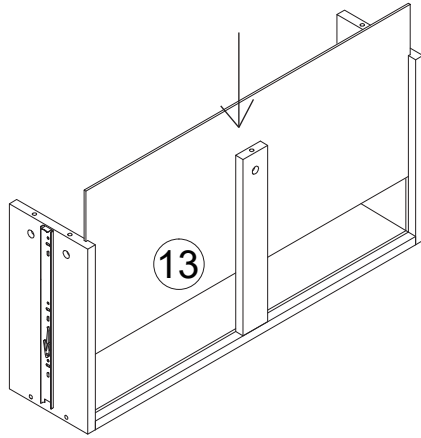


D*30

ASSEMBLY INSTRUCTION

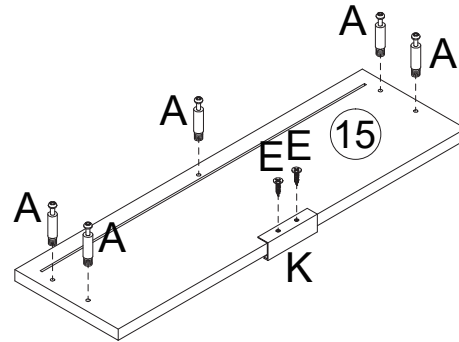
STEP17

x6



STEP18

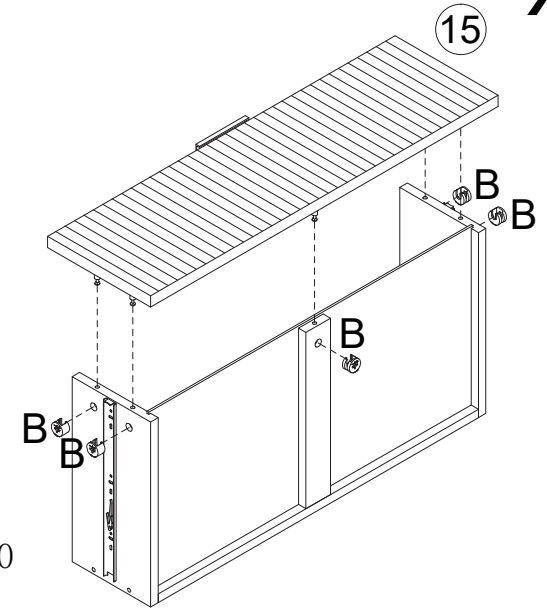
x6



A*30
E*12
K*6

STEP19

x6



B*30

STEP20

