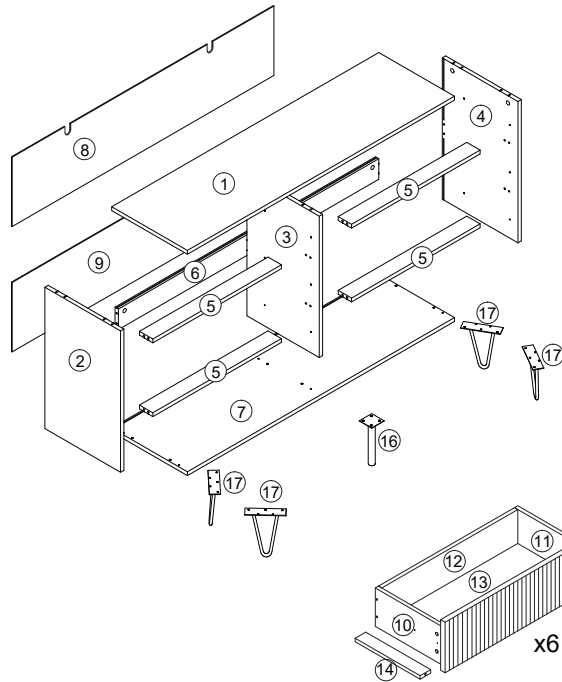
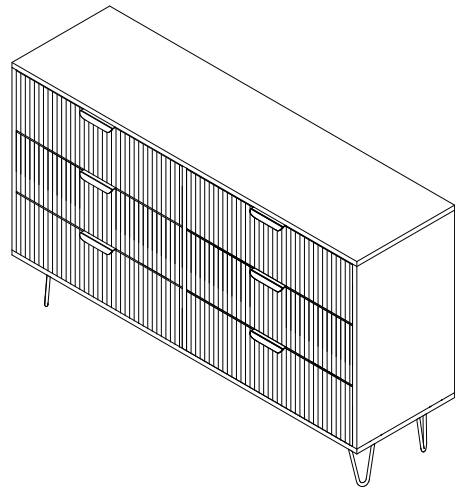
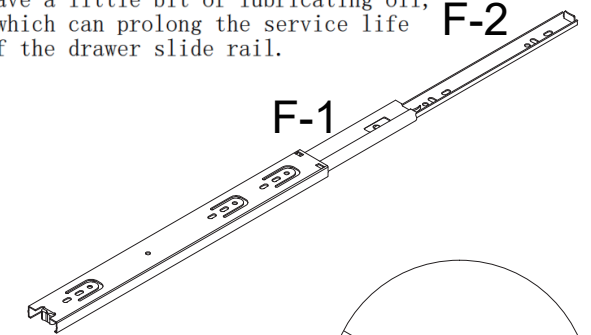


ASSEMBLY INSTRUCTION

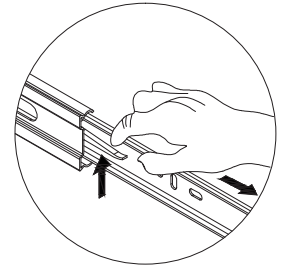


STEP1

Note:
The slider balls of the slide rail have a little bit of lubricating oil, which can prolong the service life of the drawer slide rail.

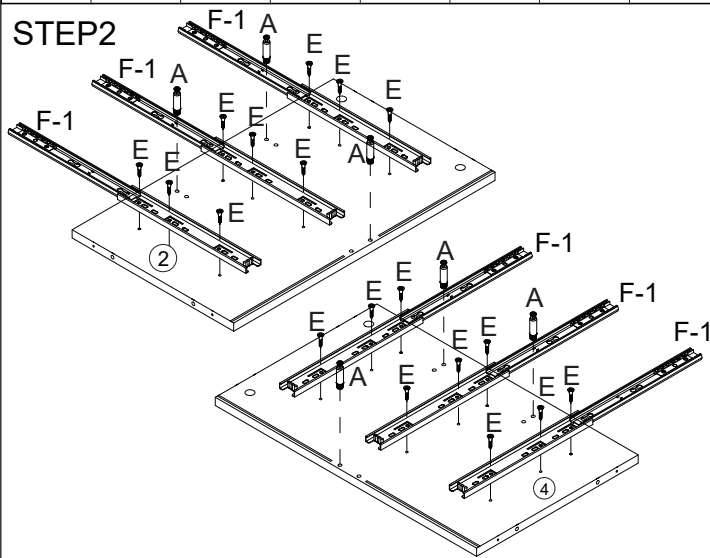


The F drawer rail needs to be manually split into F1 drawer rail and F2 drawer rail by snapping.

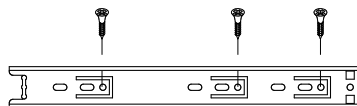


| | | | | | | | |
|------|------|--------|--------|--------|------|--------|-----|
| Ax46 | Bx46 | Cx22 | 4x35mm | 3x12mm | Fx12 | 4x12mm | Hx2 |
| Jx2 | Kx6 | 3x14mm | Lx8 | Mx8 | | | |

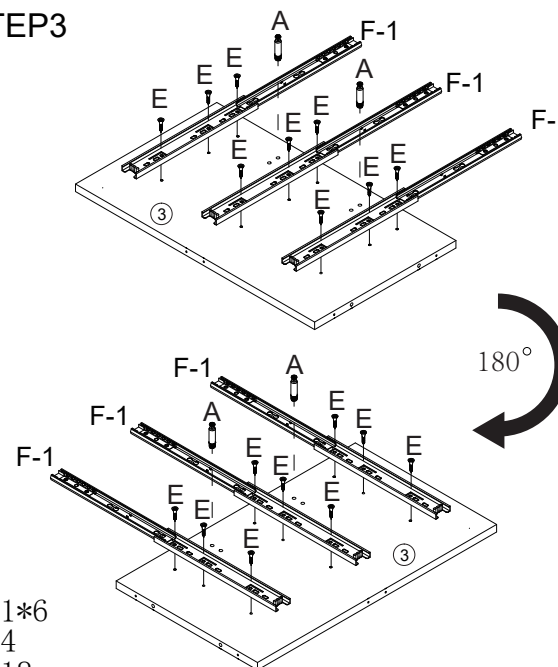
STEP2



F-1*6
A*6
E*18

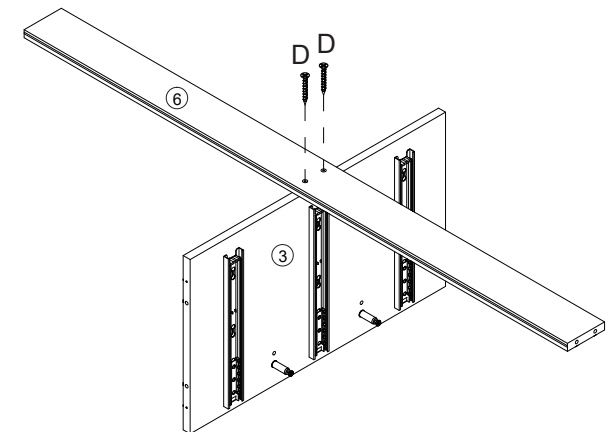


STEP3



F-1*6
A*4
E*18

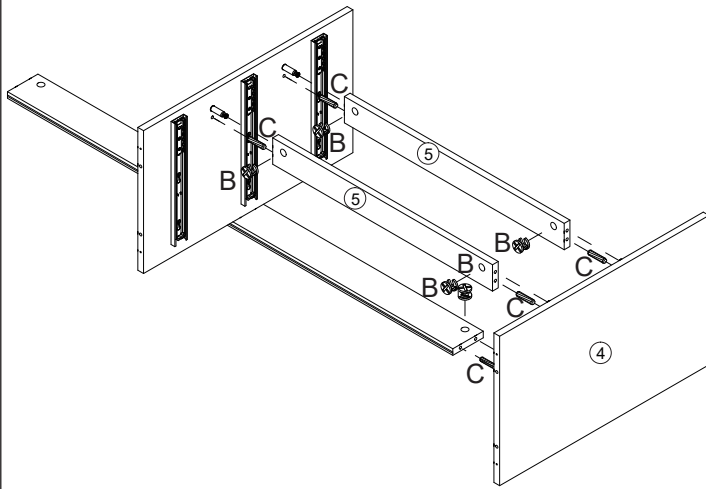
STEP4



D*2

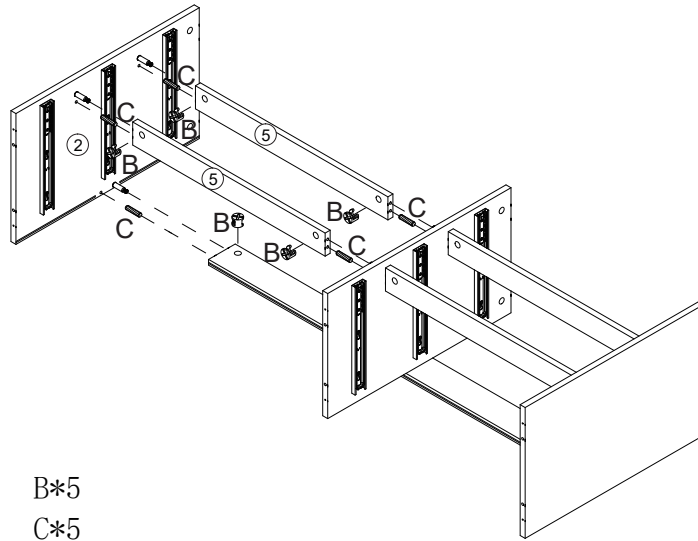
ASSEMBLY INSTRUCTION

STEP5



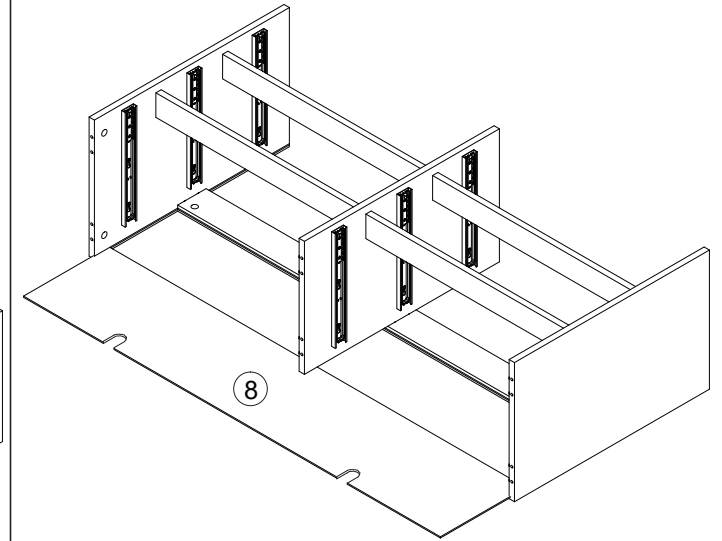
B*5
C*5

STEP6

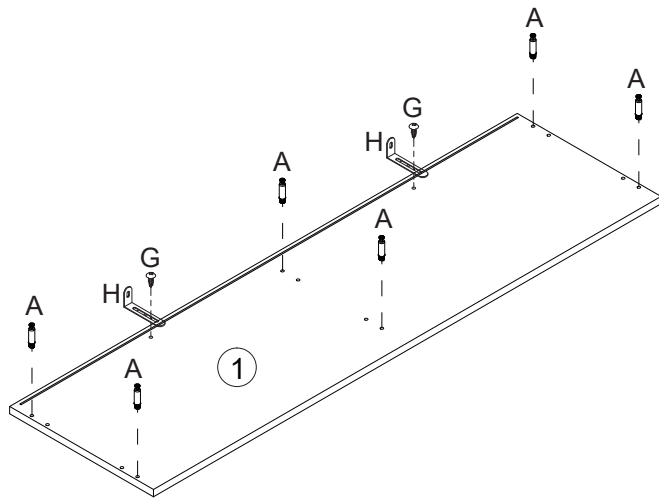


B*5
C*5

STEP7

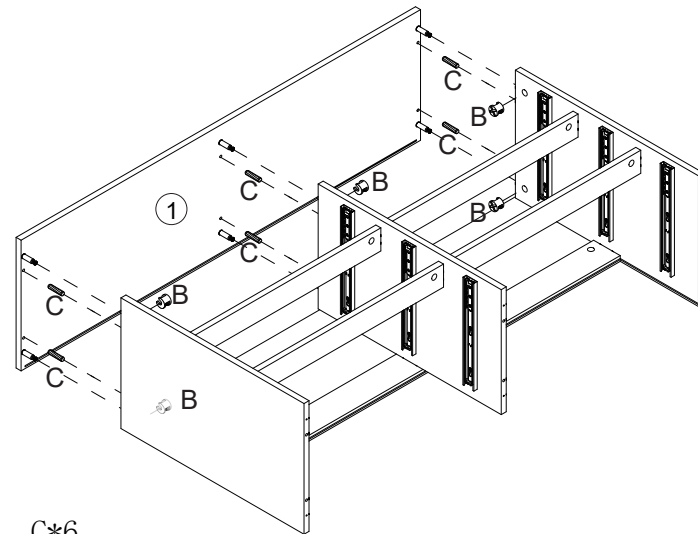


STEP8



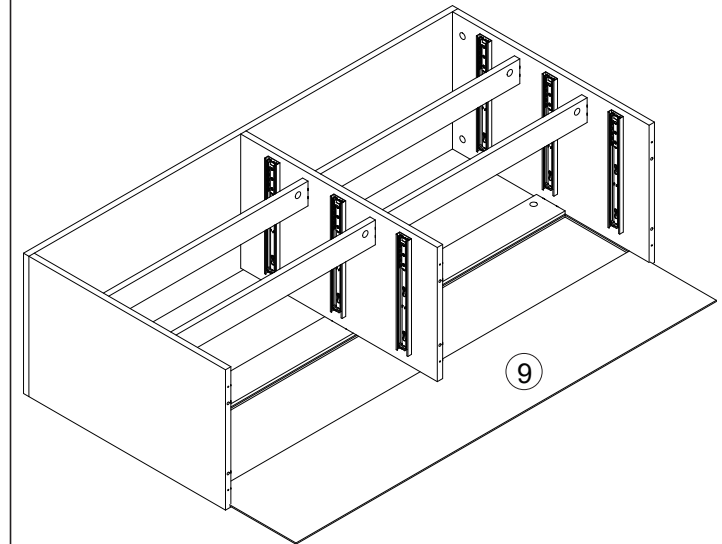
A*6
G*2
H*2

STEP9



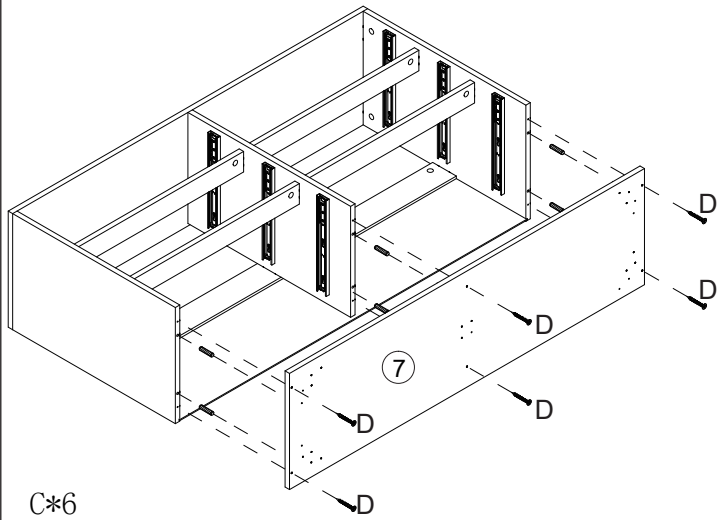
C*6
B*6

STEP10



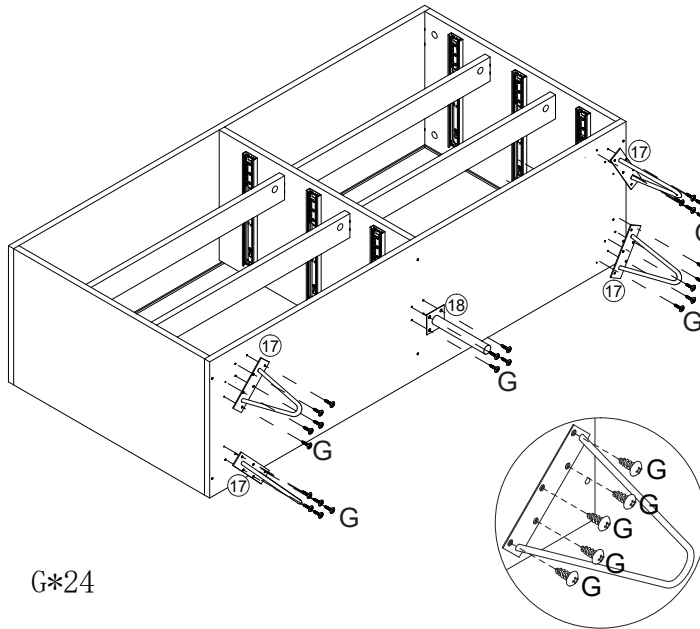
ASSEMBLY INSTRUCTION

STEP11



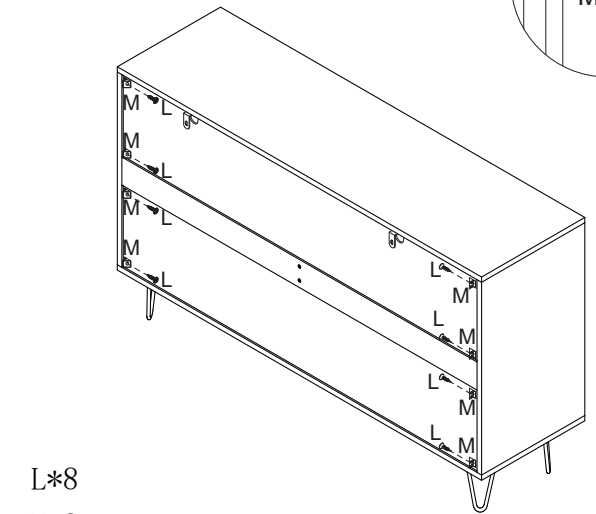
C*6
D*6

STEP12



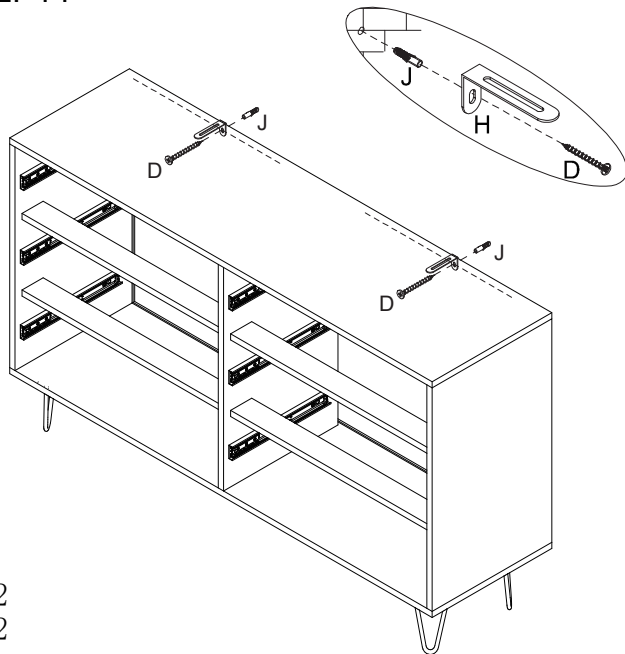
G*24

STEP13



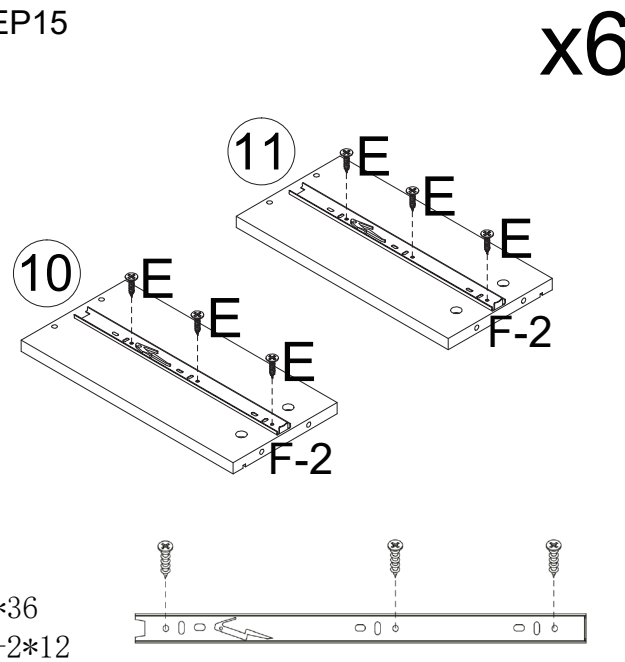
L*8
M*8

STEP14



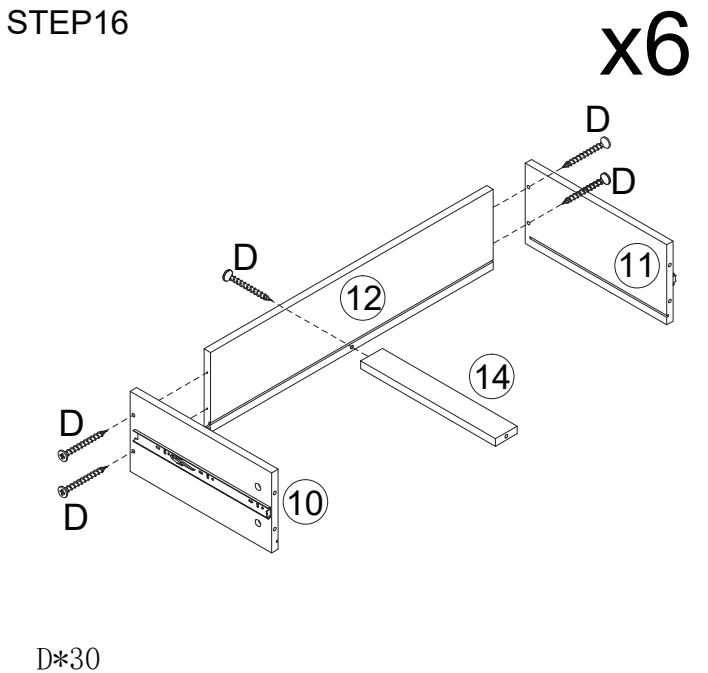
J*2
D*2

STEP15



E*36
F-2*12

STEP16

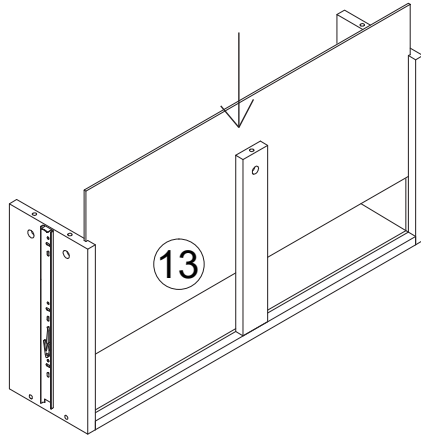


D*30

ASSEMBLY INSTRUCTION

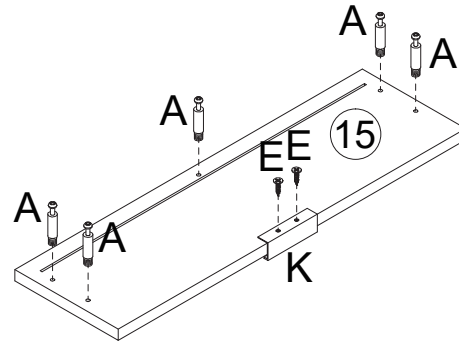
STEP17

x6



STEP18

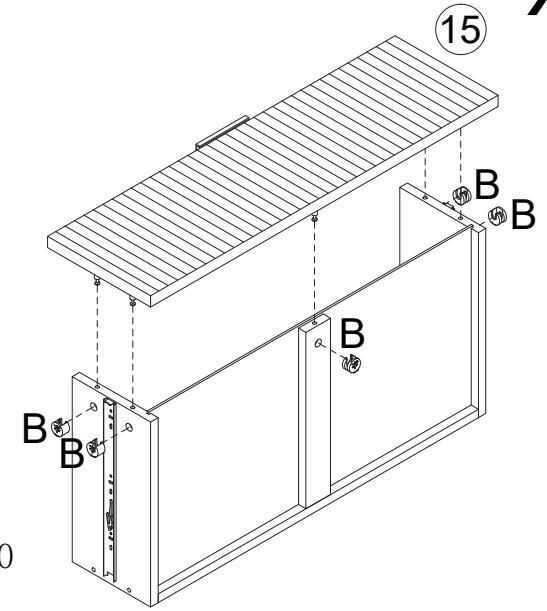
x6



A*30
E*12
K*6

STEP19

x6



B*30

STEP20

