

USER MANUAL

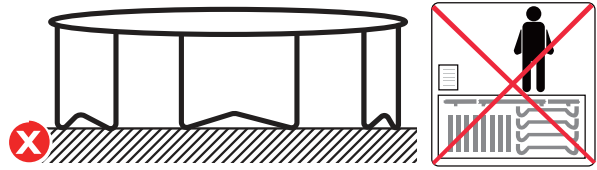
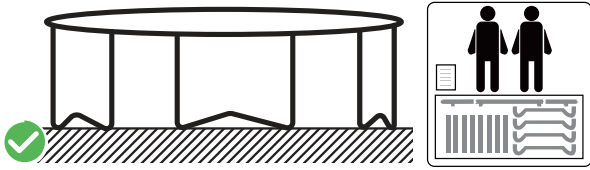
TRAMPOLINE

WITH ENCLOSURE NET

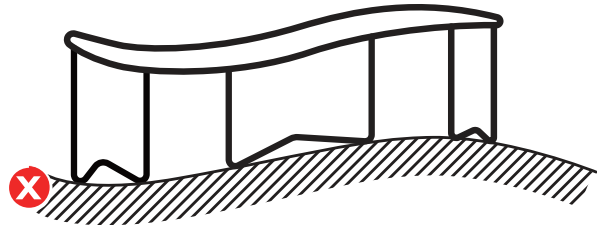
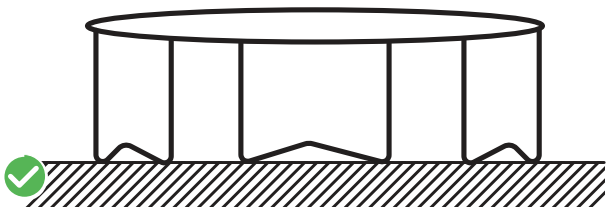
MSG-TN-1204



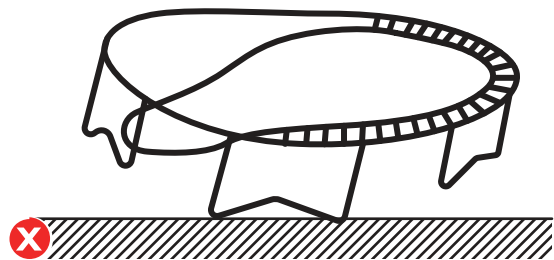
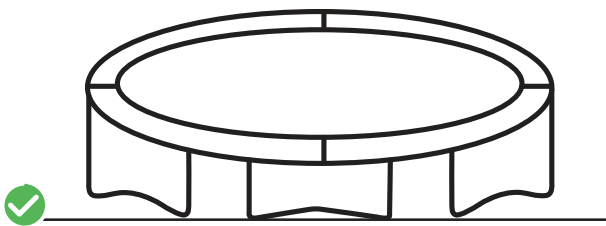
INSTALLATION WARNING



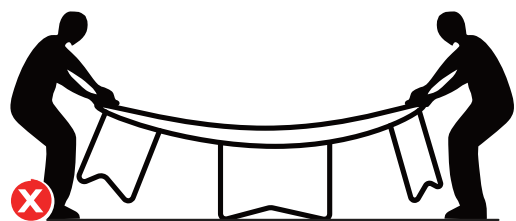
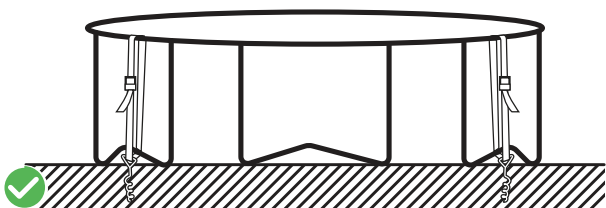
1. Please make sure at least 2 people install the trampoline.



2. Please install the trampoline on the flat and non-slippery ground.



3. Please install the springs in the X-shape order one by one as requested in the instructions.



4. Please do not move or lift the trampoline during or after installation but use the tie down stakes kit to secure it.

USE WARNING



Do not somersault or flip.



Do not dunk and hold onto the ring.



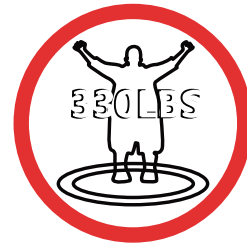
Do not jump onto the trampoline from a height.



Do not intentionally hit the safety enclosure net.



Do not use the trampoline in stormy weather but disassemble and store it.



Do not exceed 330lbs for a single user and do not exceed the total weight for multiple users.




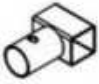



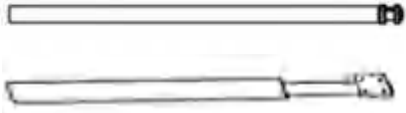
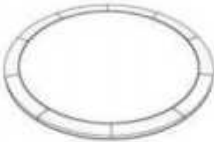





Do not place any sharp objects on the trampoline.


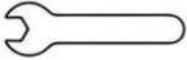


Do not use during pregnancy, high blood pressure or other injuries.

ADDITIONAL SAFETY WARNING

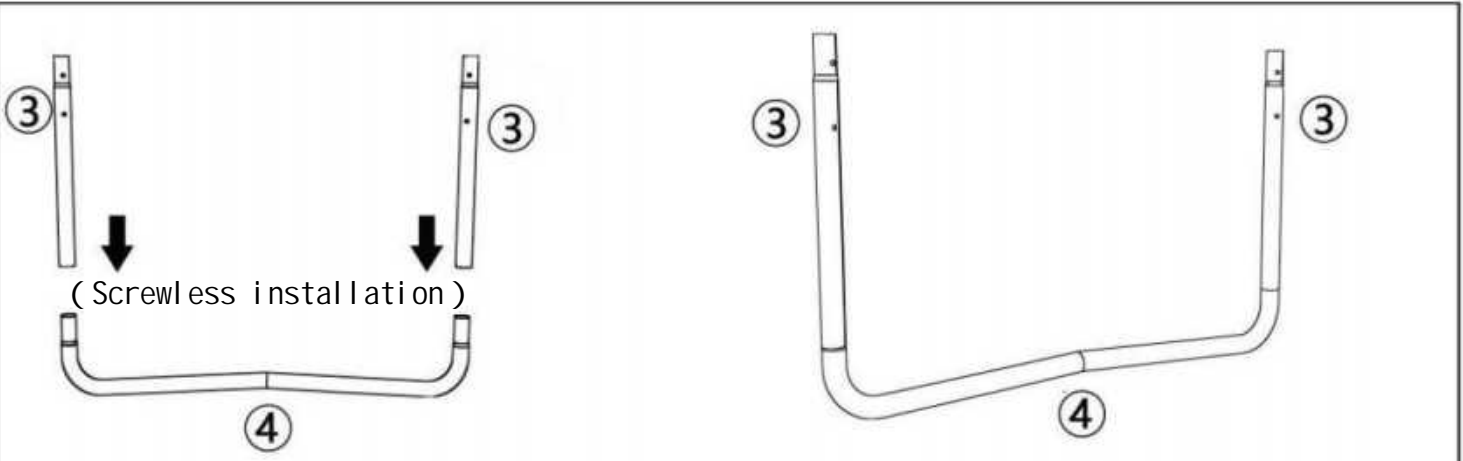
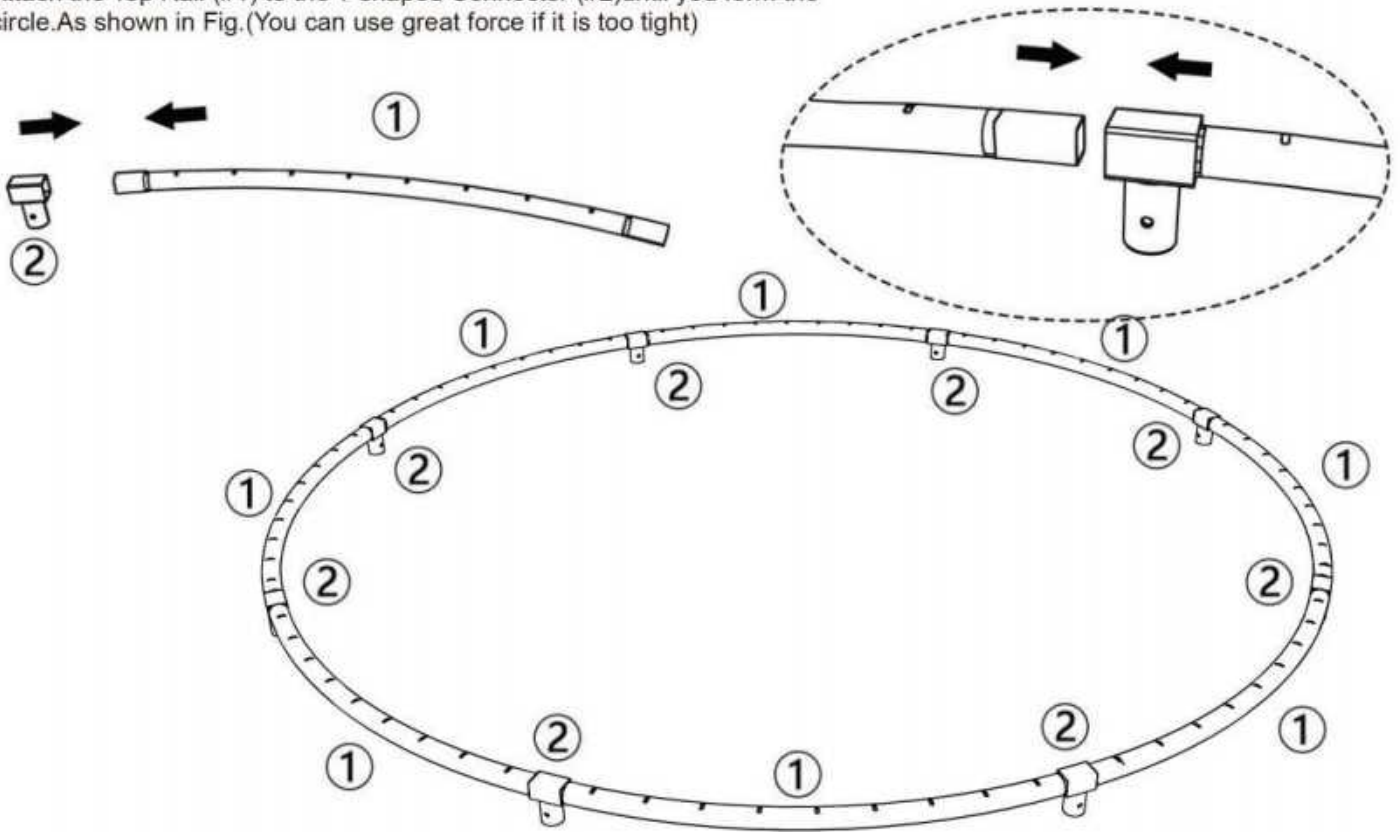
- Read all instructions before using the trampoline.
- Use trampoline only under adult supervision.
- Not recommended for children under six years old.
- Secure the trampoline against unauthorized use.
- Use only when the jumping mat is clean and dry.
- Do not use the trampoline without the spring cover pad.
- Do not use the trampoline while under the influence of alcohol or drugs.
- Do not smoke while using the trampoline.
- Do not use the trampoline as a spring board to jump onto other objects. Do not jump from other buildings or object surfaces, onto the trampoline or into or over the trampoline enclosure.
- Never set up or continue to use the trampoline in heavy rain, wind, or storm weather, especially lightning storms. It's recommended that disassemble and store the trampoline in bad weather.
- Inspect carefully before using and replace any worn, defective or missing parts.
- Avoid bouncing too high. Maintain control. Do not try to jump over the enclosure.
- Do not jump and try to hang onto the top of the netting or the enclosure pole.
- Don't intentionally kick, bounce against, climb on, hang from, jump over or crawl under the enclosure.
- Wear clothing free of drawstrings, hooks, loops, or anything that could get caught in the enclosure.
- Enter and exit the enclosure only through the zipper door. Do not crawl under the trampoline. Do not go through the gap between the enclosure and the mat.
- Misuse of the enclosure may result in serious injury or death.
- Users may become entangled in or strangled by loose cords or in gaps between trampoline and enclosure.
- Keep the enclosure tightly fastened to the trampoline in accordance with the manufacturer's instructions.
- Failure to properly assemble and maintain a tight, secure trampoline/enclosure boundary may result in serious injury, strangulation or death.

NO	PART	NAME	QTy
1		Top Rail	8
2		T-shaped Connector	8
3		Leg Extension (two holes)	8
4		Base Leg	4
5		Upper pole B	8
6		Upper pole A & Backboard Pole	7 1
7		Frame Pad	1
8		Safety Net	1
9		Net Rope	7
10		Bolt Pack (M6*75)	16
11		Spring	72
12		Jumping Mat	1

13	 A simple spring tool consisting of a vertical stem and a horizontal arm with a curved end.	Spring Tool	1
14	 M6	Wrench	1

Step 1

Attach the Top Rail (#1) to the T-shaped Connector (#2) until you form the circle. As shown in Fig. (You can use great force if it is too tight)

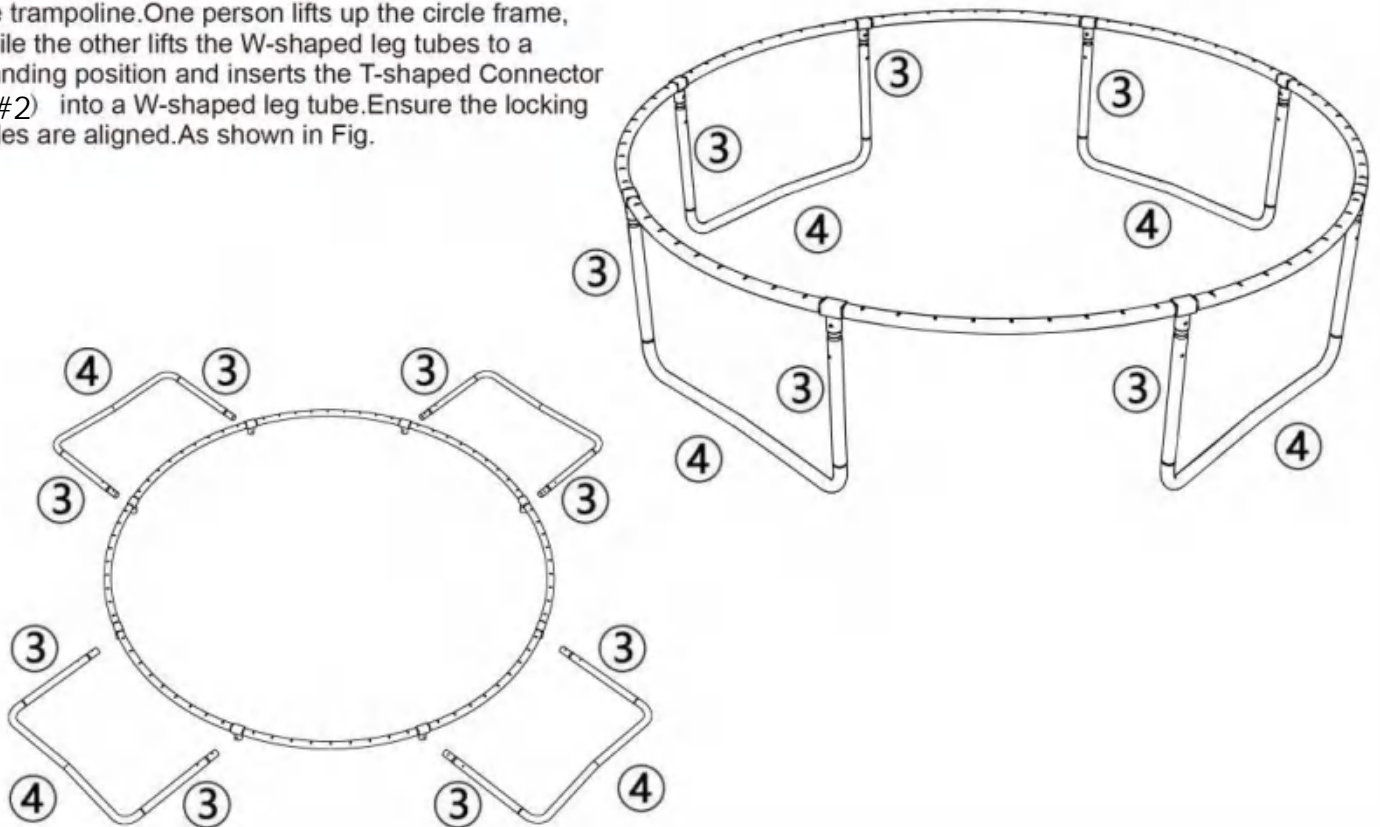


Step 2

Insert the Leg Extension (#3) into the Base Leg (#4) and stick out completely, totally 4 legs. As shown in Fig

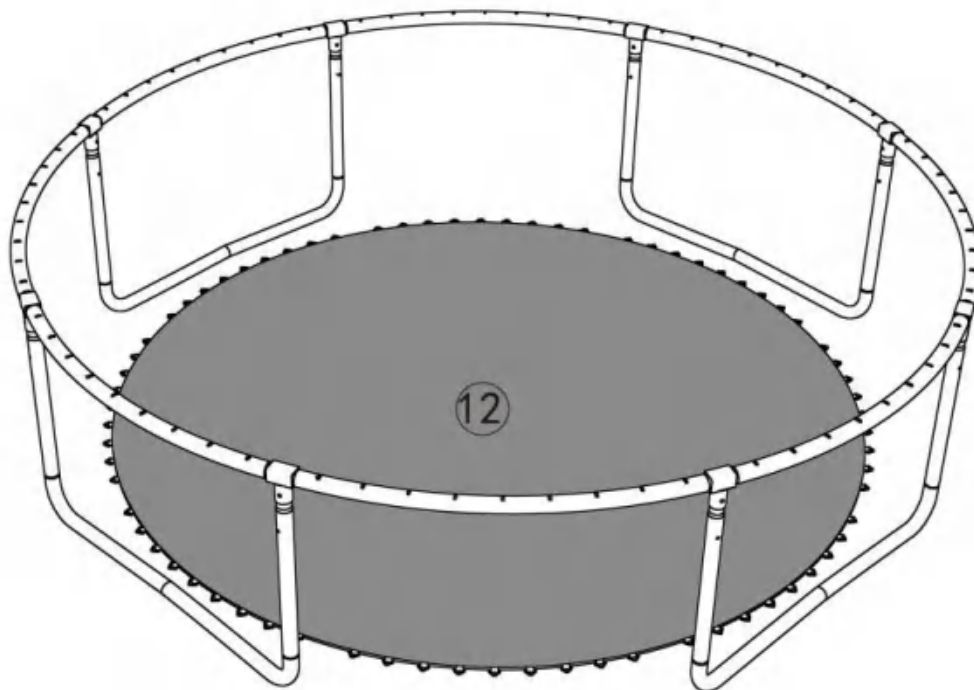
Step 3

Two people will be necessary at this point to install the trampoline. One person lifts up the circle frame, while the other lifts the W-shaped leg tubes to a standing position and inserts the T-shaped Connector (#2) into a W-shaped leg tube. Ensure the locking holes are aligned. As shown in Fig.



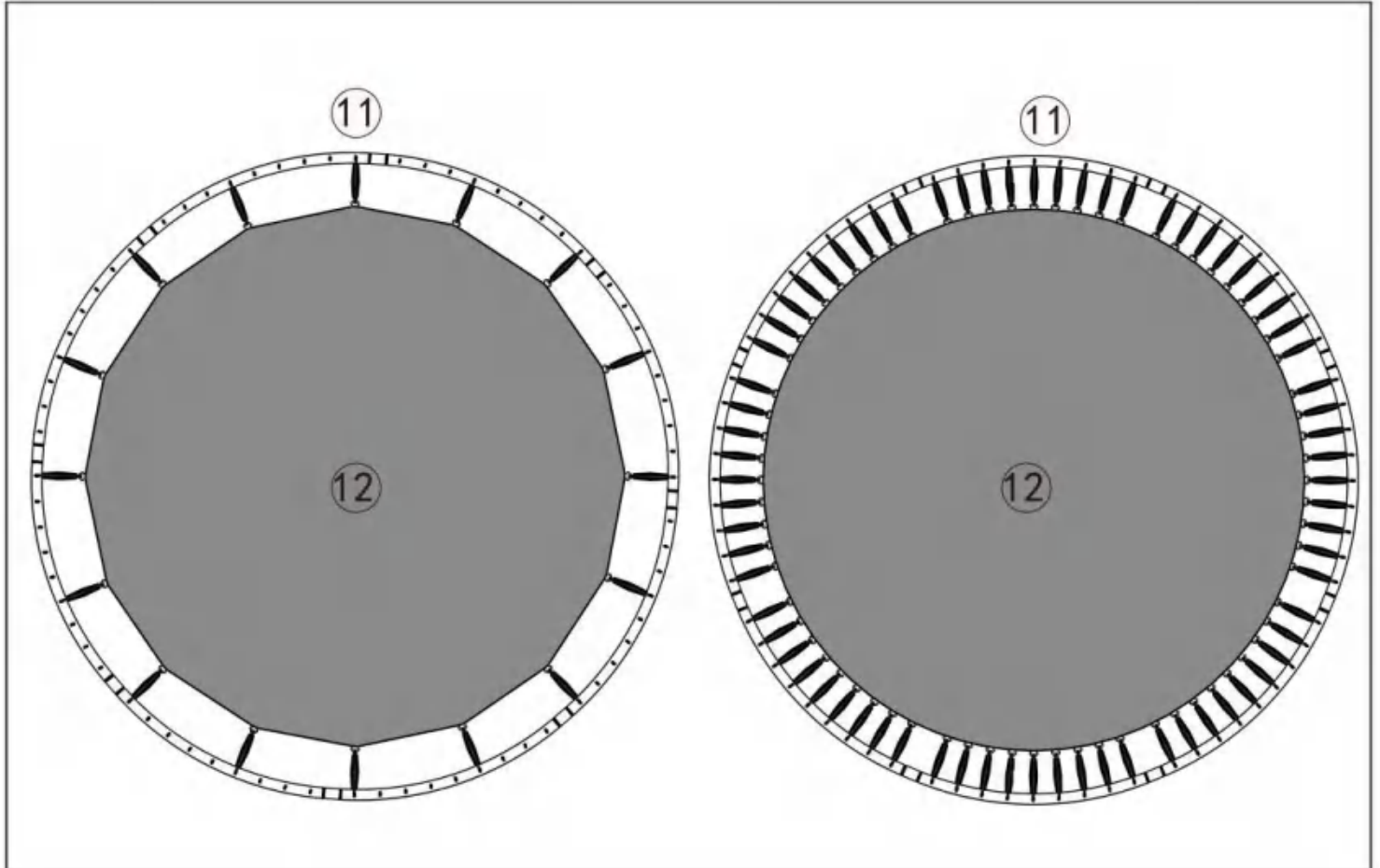
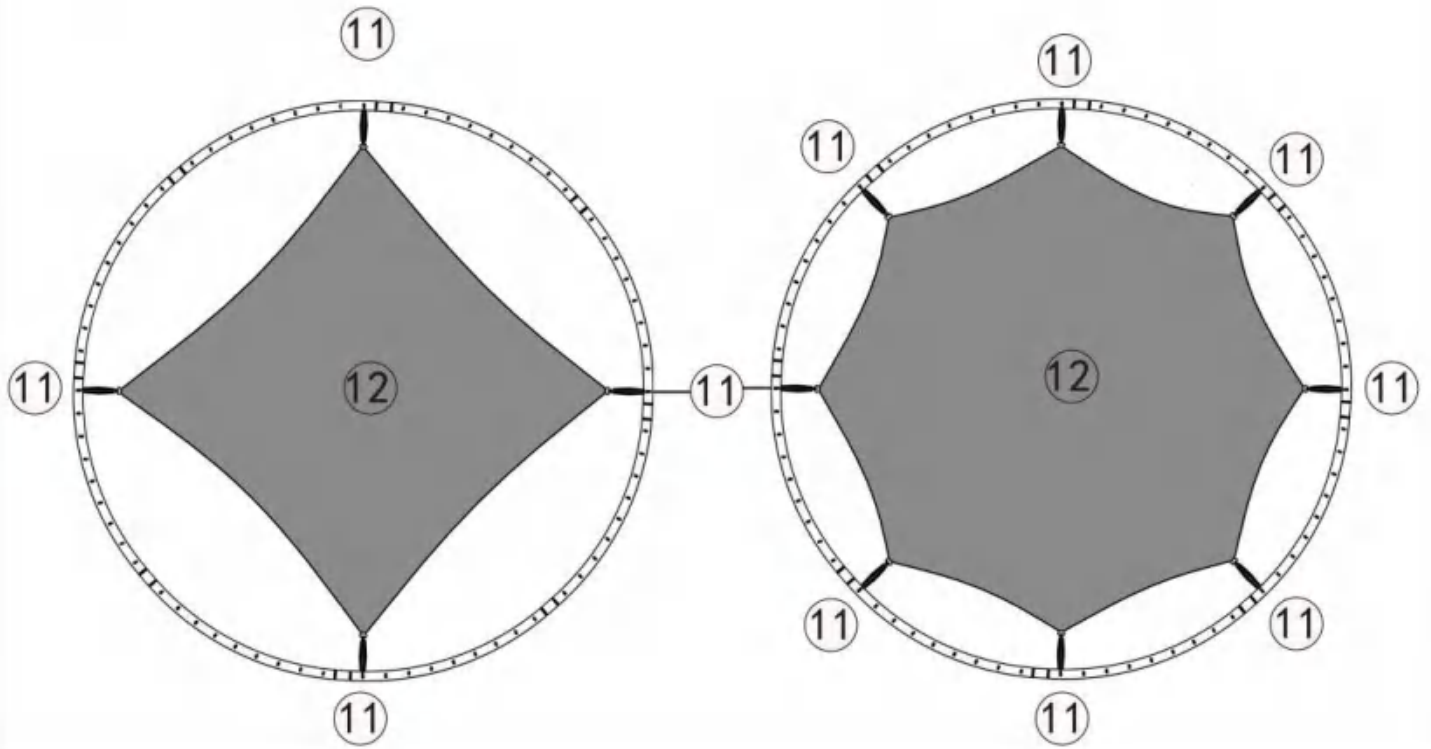
Step 4

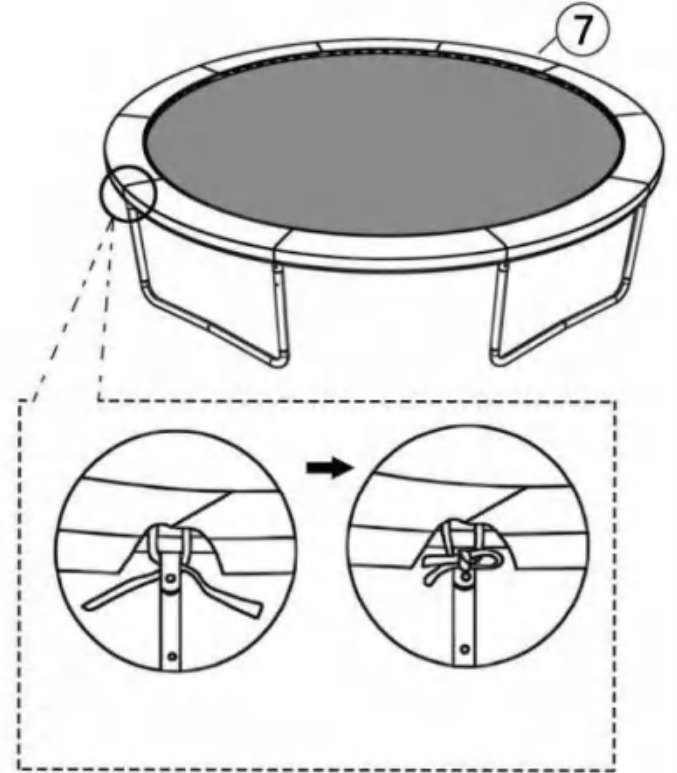
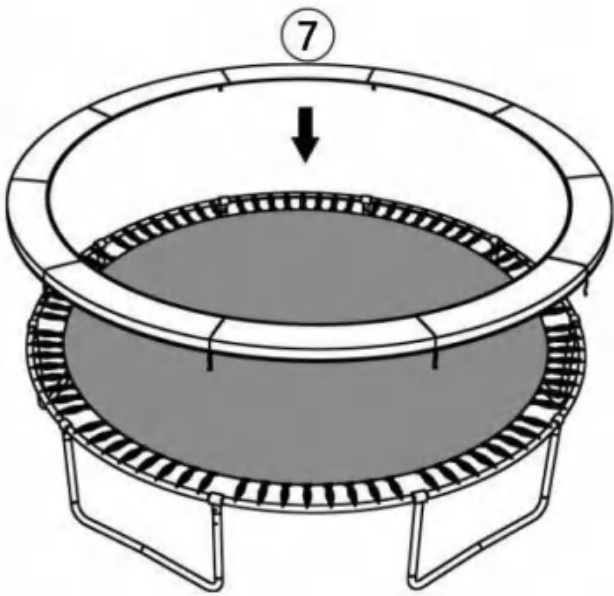
Layout the Jumping Mat (#12) inside the circle frame.



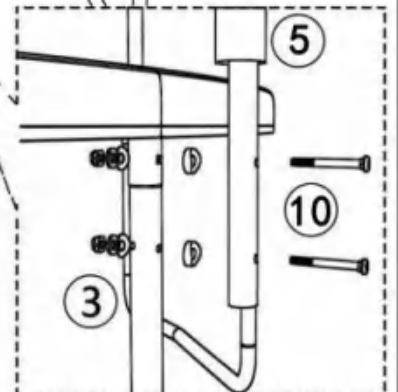
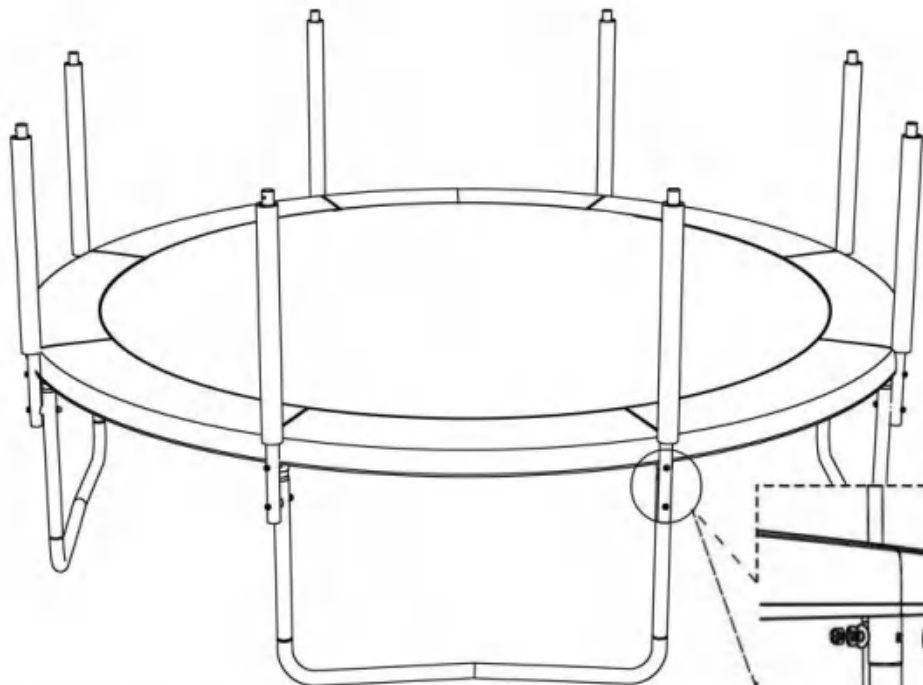
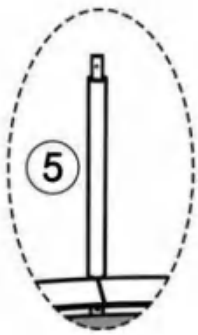
Step 5

Install the Springs(#11) in the X-shape order one by one to make sure the tension is distributed evenly for the Jumping Mat(#12) and pull it with Spring tool(#13).As shown in Fig.(Tip: Please take care not to pinch your hands and other body parts during spring assembly.)





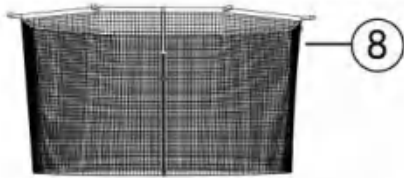
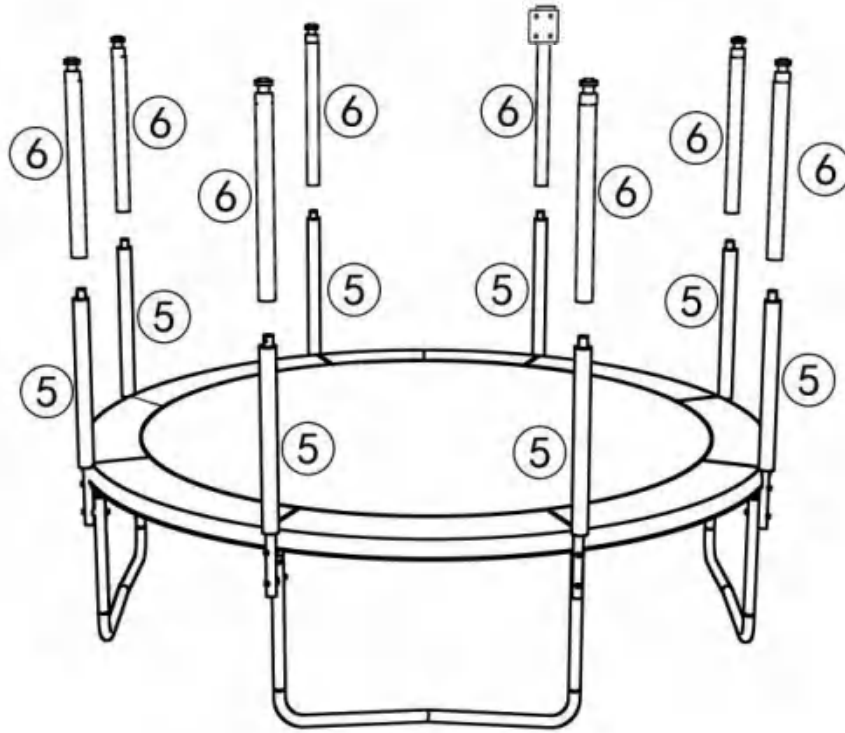
Step 6
 Please lay the frame cover pad (#7) over the springs;
 Tie the strap located at the under side of the frame pad to
 the frame. As shown in fig.



Step 7
 The Upper Pole B (#5) is locked and fixed in the two holes at
 the upper end of Leg Extension (#3) with screw (#10). As shown in fig.

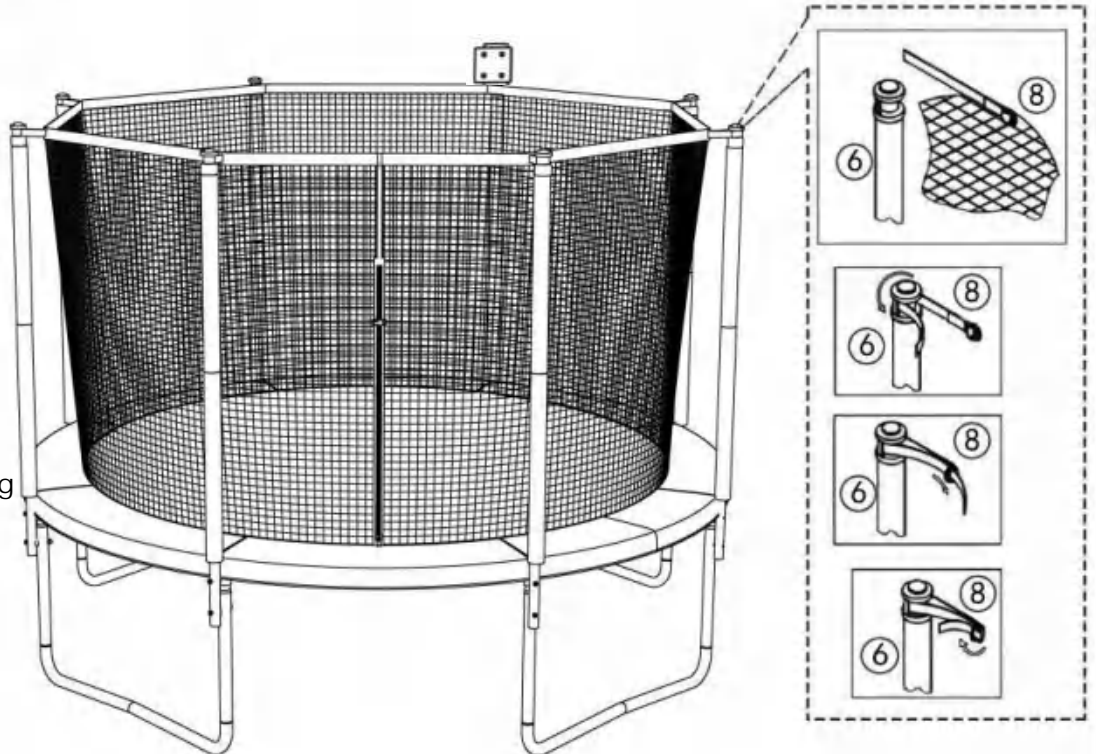
Step 8

Please insert the Upper Pole A (#6) into the Upper Pole B (#5). As shown in fig.



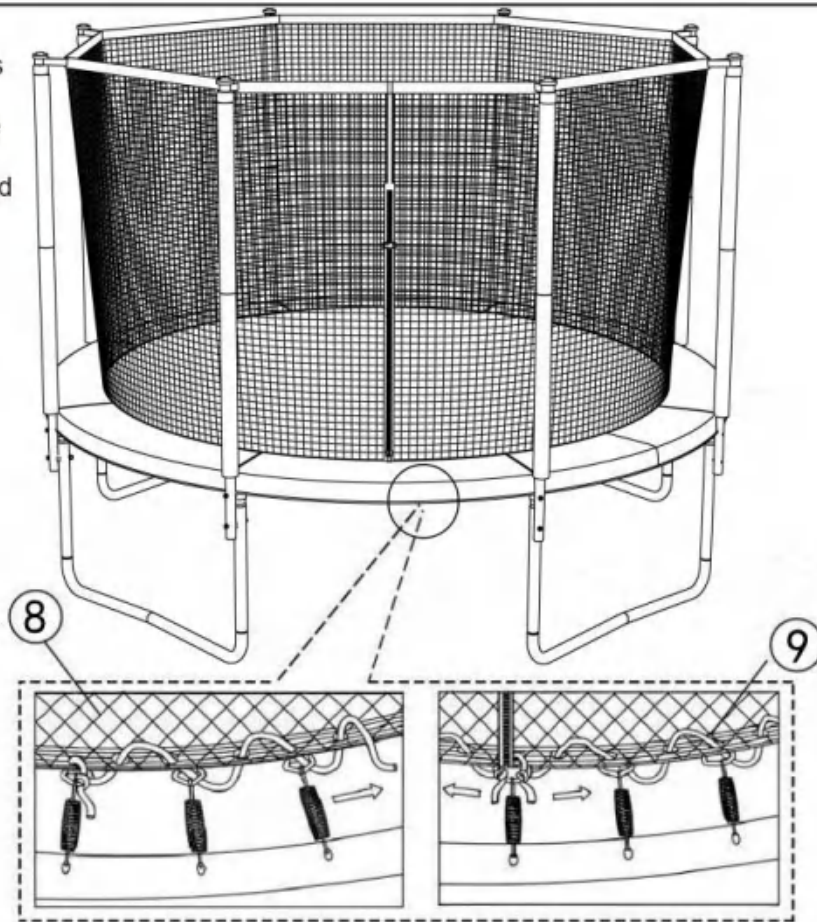
Step 9

Install the net as shown in fig



Step 10

Components Net Ropes (#9), Safety Net(#8) through the bottom hole components, and parts cross around spring, and fixed. As shown in fig.



USER MANUAL FOR LADDER (2 STEP/ 3 STEP)

WARNING & INSTRUCTION

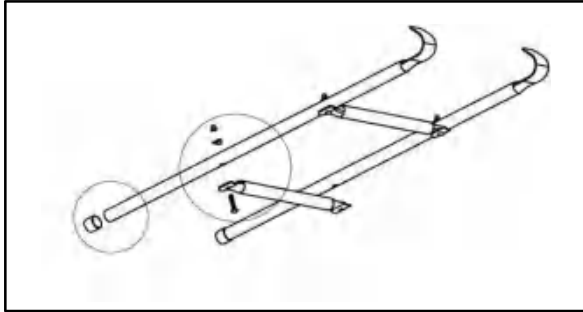
- Please read the assembly instructions before beginning to assemble the product.
- Please refer to the table for part descriptions and numbers. The assembly instruction use these descriptions and numbers as reference.
- Make sure you have all parts listed. If you are missing any parts, please contact place of purchase.
- Only assemble by adult.

LADDER PART LIST

Ref.number	Part. number	Description	Unit (pcs)
1	LD001	Frame poles	2
2	LD002	Step poles	2 or 3
3	LD003	Screws	4 or 6
4	LD004	Manual	1

LADDER ASSEMBLY

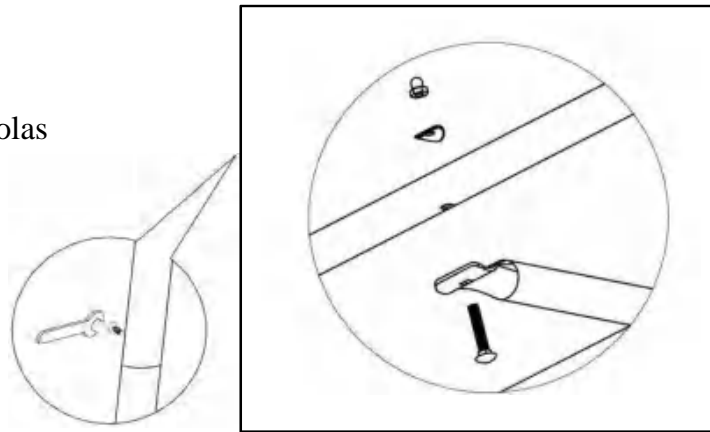
Step 1. Frame install



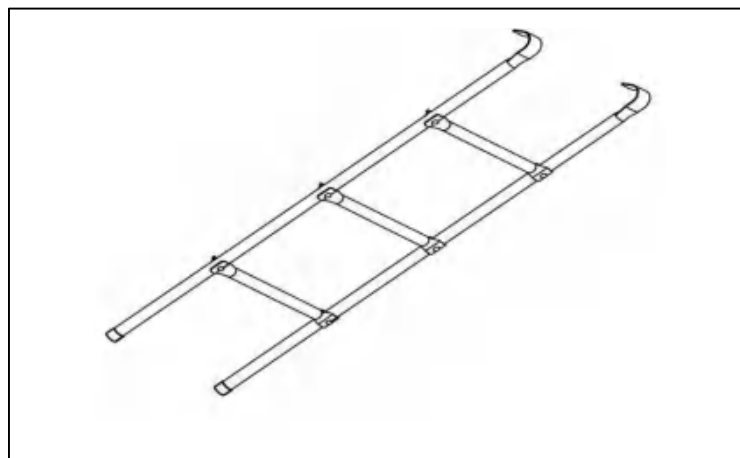
Layout all of the parts as pictures. select two frame pole which have two or three **holes**.

Step 2 Install screws

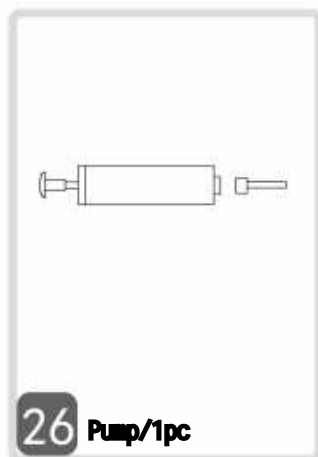
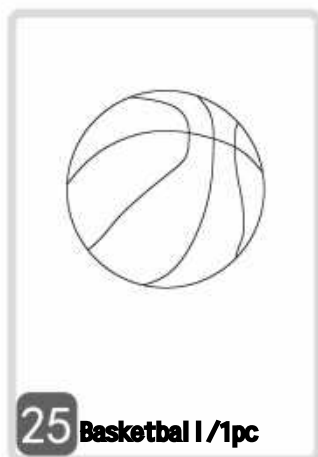
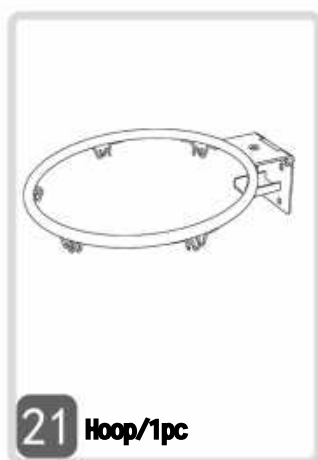
Pls install all of the screws use toolas show.



Step 3. Install Finished

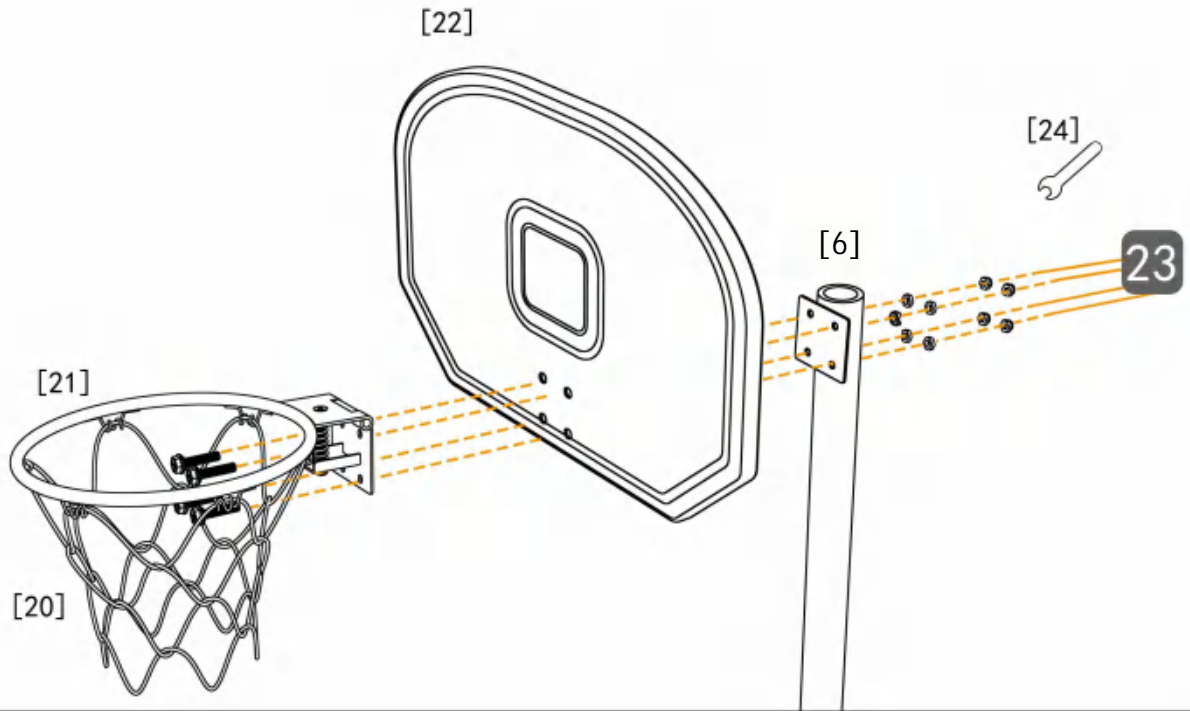


BASKETBALL HOOP UNSTALLATION MANUAL



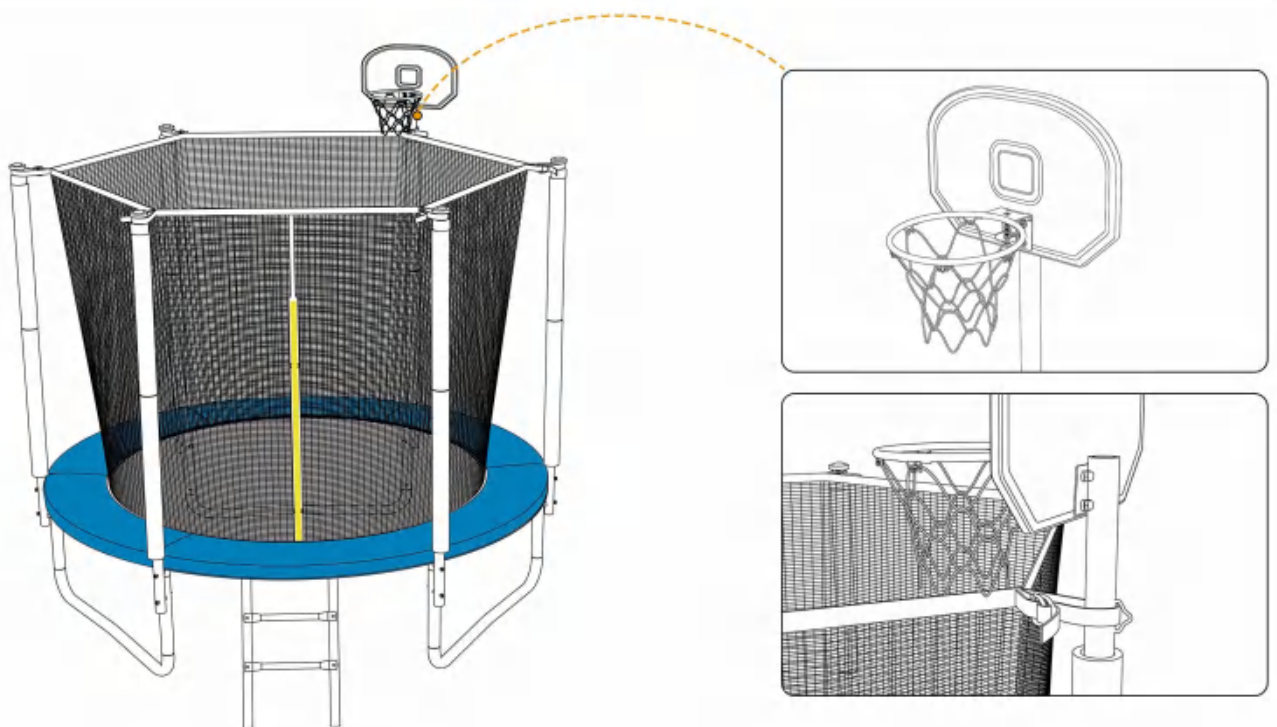
WARNING

- * Read and follow this installation manual
- * Adult assembly required



STEP 10:

Install the Backboard(#22) and Basketball Net(#20) onto the Backboard Specific Pole(#6), secure them with screw(#23)



WARNING – GENERAL SAFETY ADVICE

- Please read the instructions before use, and retain for future reference.
- Ensure the trampoline Safety Net has been assembled correctly, as per the instructions in the manual.
- Children **MUST NEVER** use the trampoline unless supervised by a responsible adult with knowledge of trampoline use.
- Children **MUST NEVER** be left unattended inside the Safety Net at any time.
- **ALWAYS** follow the safety warnings stated with your trampoline instructions in conjunction with using Safety Net.
- **DO NOT** climb, swing or intentionally jump onto the panels or poles of the Safety Net.
- If the Safety Net material becomes damaged refrain from use.
- The Safety Net is **ONLY** intended to be used to reduce the risk of injury from falling off the trampoline.
- **DO NOT** let children take items or toys into the Safety Net.
- Please read and refer to other warnings and use information in the trampoline and Safety Net instructions before use.

Please retain this information for future reference.

Care & Use

● Assembly Information - This Safety Net must be assembled by an adult. They must be assembled exactly in accordance with the assembly instructions. Enlisting the aid of a helper will make assembly easier. This Safety Net contains small parts and is not suitable for children under 3 years old. Please take an inventory of all parts before assembly. Should there be any missing parts; the equipment must not be used until replacement parts have been fitted.

● Location – Your trampoline must be placed on a flat and level surface which is well-lighted. Under no circumstances should it be positioned on a hard surface such as concrete or asphalt, unless the ground under the trampoline has free-space of 2 metres surrounding the trampoline and is covered with a safety surface as well as a 7 metres clearance space in height. Examples of suitable surfaces are grass, sand or a play surface intended for this trampoline. It is important not to place or store anything under your trampoline. Please also read the instructions accompanied with your trampoline.

Safety Information

● This Safety Net is designed and made for family domestic use only by people 6 years and older. It is not a rebounding device. It is designed as a Safety Net to control entry and exit to and from the trampoline and allow jumpers to gain confidence, balance, coordination and agility without the fear of rebounding off the trampoline, where injury could occur.

● Adult supervision of children – Children should always be supervised while they are playing on the trampoline fitted with a Safety Net and should be instructed not to use it in an inappropriate or hazardous manner. In particular be aware of:

- The objects children bring into the Safety Net
- Children's activities inside the Safety Net
- Conditions inside the Safety Net when children are using it
- The way children get into and out of the Safety Net

- Children should not wear cycle helmets while playing on the trampoline.
- The frame of your trampoline is made of steel and it will conduct electricity. No electrical equipment (lights, heaters, extension cords, household appliances, etc.) should be permitted in or on the Safety Net under any circumstances to avoid the risk of electrocution.
- Never allow more than one person to use the trampoline at a time. Multiple users may collide with each other and this can result in serious injury.
- As your trampoline mat is raised off the ground, there is the risk of a fall when exiting the trampoline through the door of the Safety Net. Children should be assisted when entering and exiting the Safety Net so to reduce their risk of falling.
- Only the door of the trampoline Safety Net should be used to enter or exit the Safety Net.
- Weather conditions – Special care should be taken as weather conditions change. In particular, surfaces can become slippery in wet weather and tongues and lips can stick to the metalwork at subzero temperatures. In warmer and sunnier weather, parts can become hot, and temperatures should be regularly checked during use, especially metal parts.

Care & Maintenance of Your Trampoline

- With all products it is vital that the equipment is checked regularly and often by an adult. The complete products should be checked at least once a month, and particular attention should be paid to connections and fastenings. If any parts exhibit signs of wear and tear, they may need to be replaced. Failure to do this may result in the product malfunctioning and causing injury.
- The product must not be used until properly and fully installed and checked. Galvanized tubular products may require occasional maintenance. If surface rust appears it should be removed with either a wire brush or coarse sandpaper, and the area treated with non-toxic paint.
- To avoid damage to the Safety Net, do not allow pets or other animals inside. Their claws and teeth can damage the netting and the trampoline mat.
- Make sure that no bonfires are lit close enough to threaten your trampoline and

Safety Net. In windy conditions, sparks and embers can travel significant distances and burn holes in both the Safety Net netting and trampoline mat.

- Any large trampoline, with or without an Safety Net, can be blown around in high winds and cause injury or damage. We recommend that the Safety Net should be removed under these conditions and stored in a dry place.

LIMITED WARRANTY

Ours trampoline products to be free from defects in material and workmanship under normal use and service conditions. The steel frame is warranted for one (1) year after the date of purchase. All other parts are warranted for six (6) months after the date of purchase. Wind or weather damage is not warranted.

All warranty coverage extends only to the original retail purchaser from the date of purchase. . This Warranty does not extend to any product or damage to a product caused by or attributable to freight damage, abuse, misuse, improper or abnormal usage, or to products used for commercial or rental purpose.

In addition, in order to meet the possible demand, our accessories can also be obtained for a fee. The fee will include the value of accessories and the delivery fee.
You can contact us through the following email address : service@cnmersco.com

OUR COMPANY IS NOT RESPONSIBLE OR LIABLE FOR INDIRECT, SPECIAL OR CONSEQUENTIAL DAMAGES ARISING OUT OF OR IN CONNECTION WITH THE USE OR PERFORMANCE OF THE PRODUCT OR OTHER DAMAGES WITH RESPECT TO ANY ECONOMIC LOSS, LOSS OF PROPERTY, LOSS OF REVENUE OR PROFITS, LOSS OF ENJOYMENT OR USE, COST OF REMOVAL, INSTALLATION OR OTHER CONSEQUENTIAL DAMAGES. SOME STATES DO NOT ALLOW THE EXCLUSION OR LIMITATION OF INCIDENTAL OR CONSEQUENTIAL DAMAGES. ACCORDINGLY, THE ABOVE LIMITATION MAY NOT APPLY TO YOU.

THE WARRANTY EXTENDED HEREUNDER IS IN LIEU OF ALL

OTHER WARRANTIES AND ANY IMPLIED WARRANTY OF MERCHANTABILITY OR FITNESS FOR A PARTICULAR PURPOSE IS LIMITED IN ITS SCOPE AND DURATION TO THE TERMS SET FORTH HEREIN. SOME STATES DO NOT ALLOW LIMITATIONS ON HOW LONG AN IMPLIED WARRANTY LASTS. ACCORDINGLY, THE ABOVE LIMITATION MAY NOT APPLY TO YOU. This Warranty gives you specific LEGAL RIGHTS. You may also have other rights which vary state to state.

THIS WARRANTY IS VALID ONLY IN THE UNITED STATES.