

TRAMPOLINE WITH ENCLOSURE NET

U S E R M A N U A L



READ THIS FIRST!!!

Thank you for purchasing our product

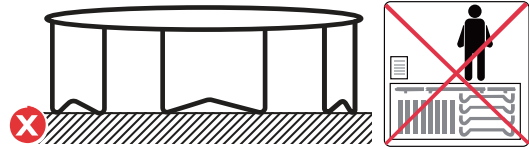
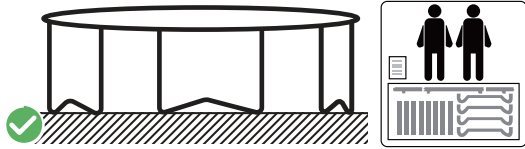
**IN CASE OF MISSING OR BROKEN
PARTS, PLEASE CONTACT PLACE OF
PURCHASE FOR ASSISTANCE.**

Warning: We are not liable for any injuries that may occur when using the trampoline.

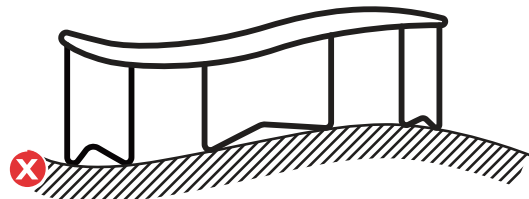
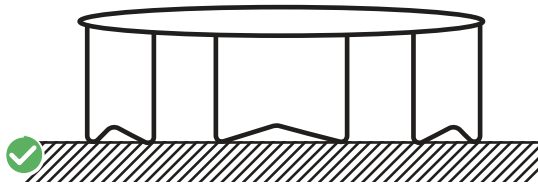


If you can't contact the seller in case of any problems, please contact the trampoline factory through this email address and we will provide you with assistance: **service@cnmersco.com**

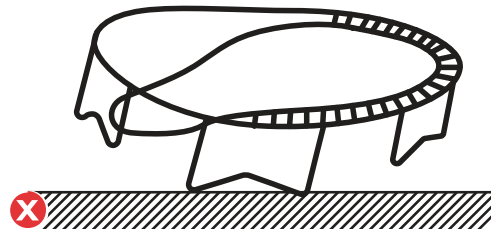
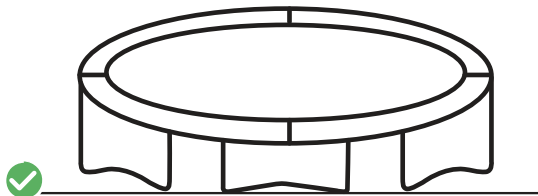
INSTALLATION WARNING



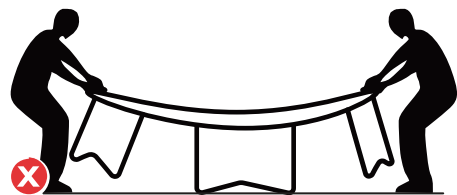
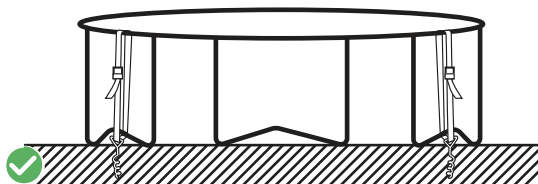
1. Please make sure at least 2 people install the trampoline.



2. Please install the trampoline on the flat and non-slippery ground.



3. Please install the springs in the X-shape order one by one as requested in the instructions.



4. Please do not move or lift the trampoline during or after installation but use the tie down stakes kit to secure it.

USE WARNING



Do not somersault or flip.



Do not dunk and hold onto the ring.



Do not jump onto the trampoline from a height.



Do not intentionally hit the safety enclosure net.



Do not use the trampoline in stormy weather but disassemble and store it.











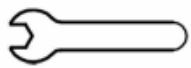
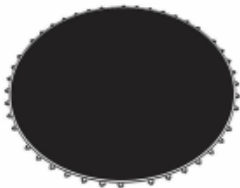
Do not exceed 330lbs for a single user and do not exceed the total weight for multiple users.



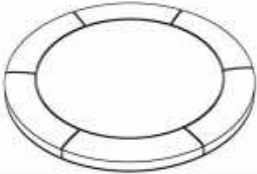


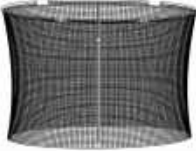





Do not place any sharp objects on the trampoline.



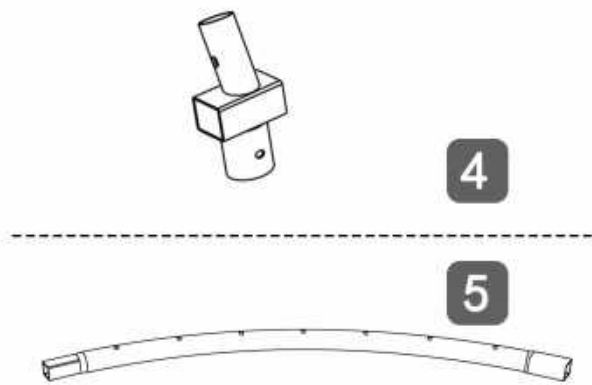
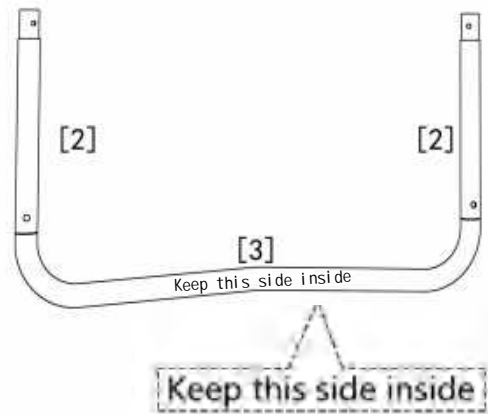
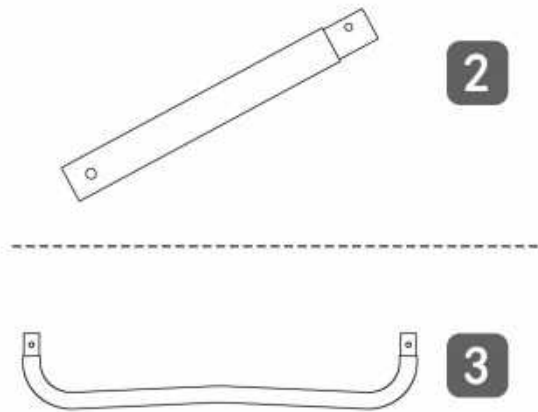
Do not use during pregnancy, high blood pressure or other injuries.

NO	Part	Name	15FT	16FT
1		Instruction	1	1
2		Leg Extension	12	12
3		Base Leg	6	6
4		Connector	12	12
5		Top Rail	12	12
6		Screw-M6*47MM	12	12
7		Balance Bar	6	6
8		Screw-M6*50MM	12	12
9		Wrench	1	1
10		Jumping Mat	1	1

NO	Part	Name	15FT	16FT
11		Spring	96	108
12		Spring Tool	1	1
13		Frame Pad	1	1
14		Bottom Safety Pole	12	12
15		Up Safety Pole	12	12
16		Safety Net	1	1
17		Fiber Rod	12	12
18		T-Plastic Joint	12	12
19		Net Rope	9	10

INSTRUCTION

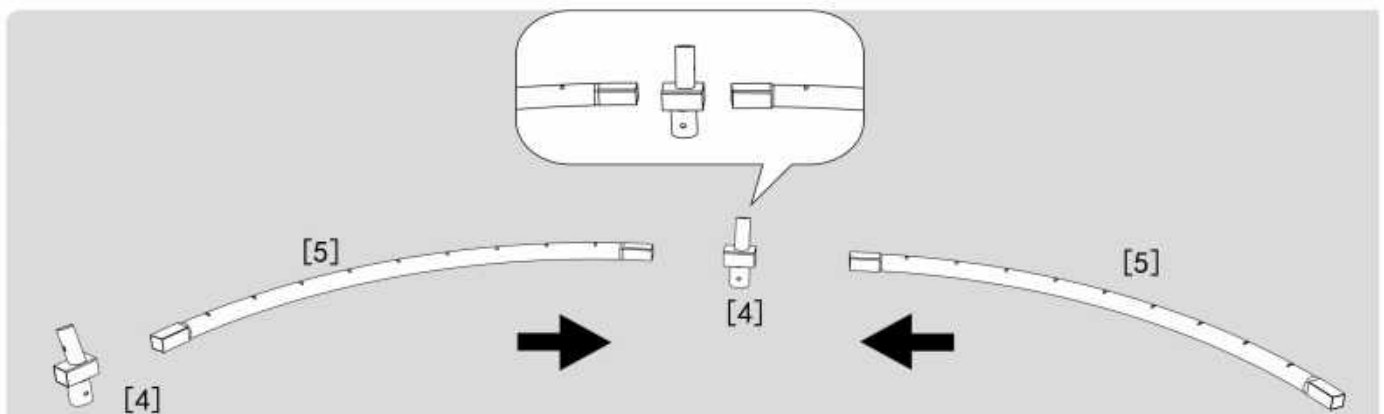
Step 1:
insert the Leg Extension(#2)into the Base Leg(#3)and stick out completely,totally 6 legs.As shown in Fig.(Screwless installation)



STEP 2:

2 People would be necessary at this part.

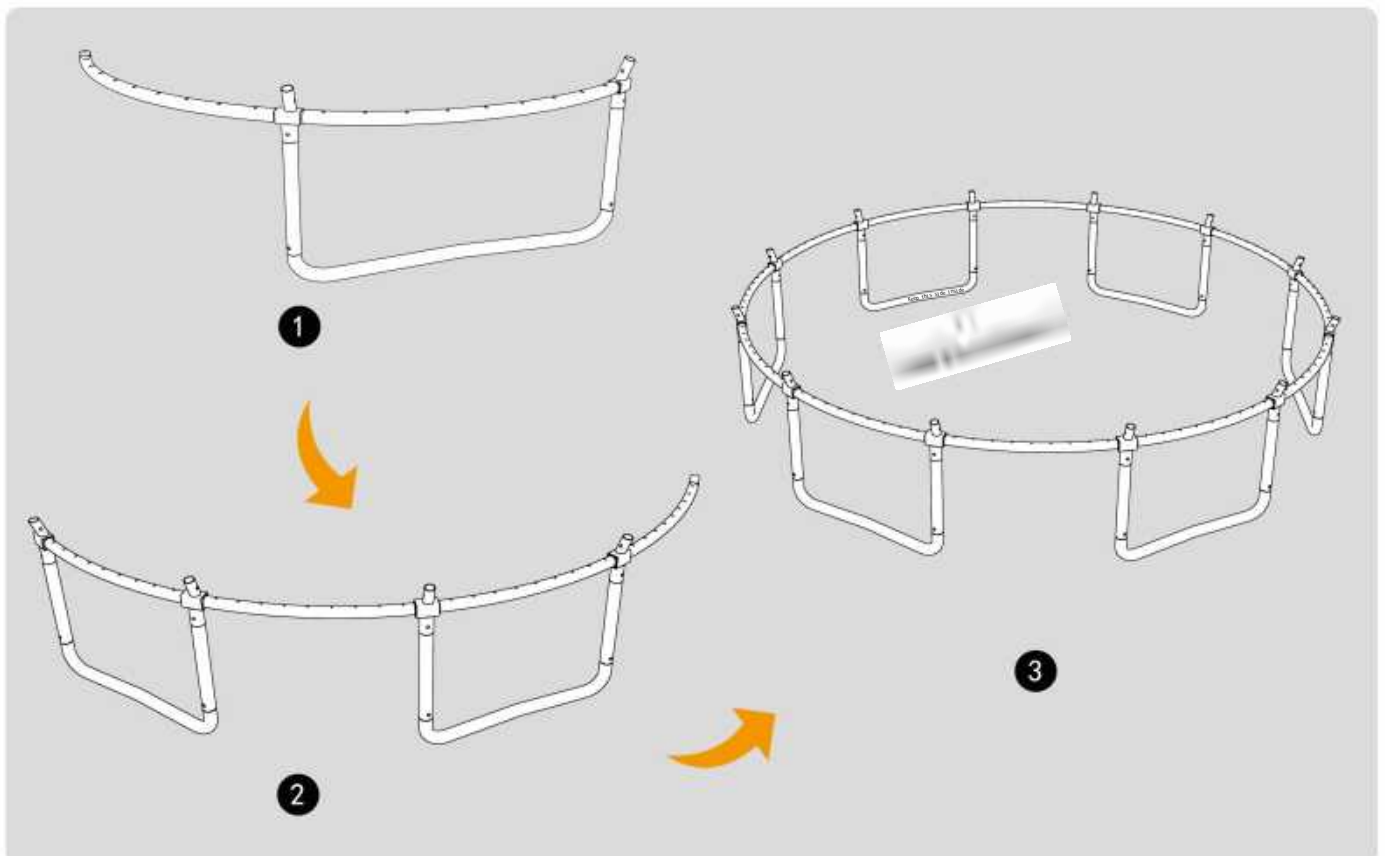
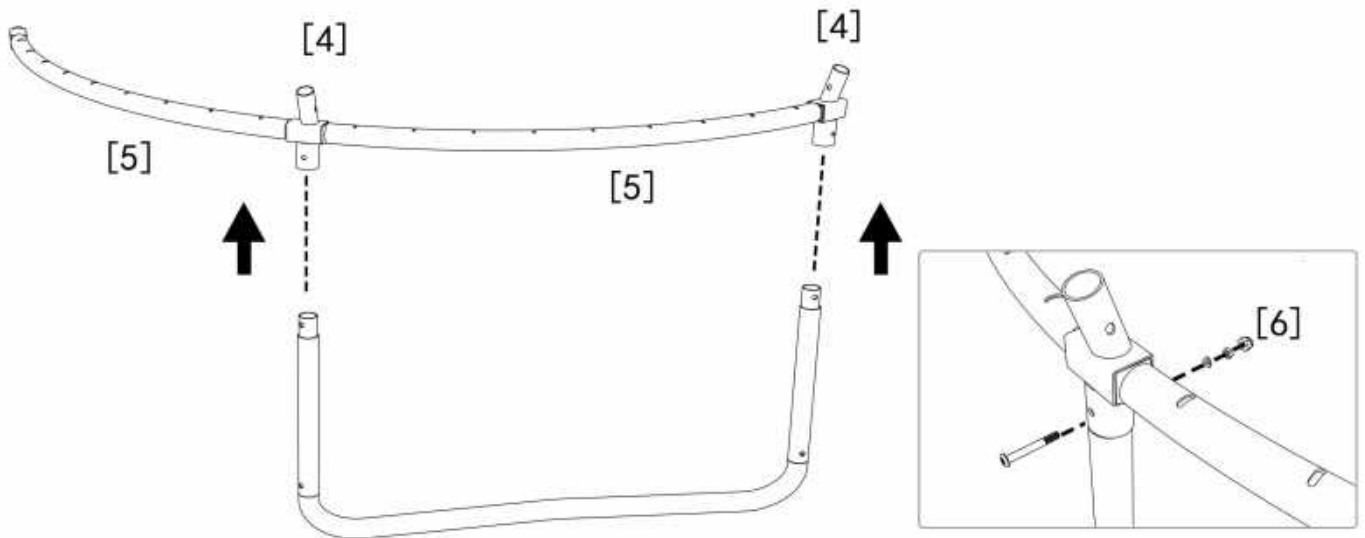
Find out all the Top Rail(#5),and simply slide the thicker end to the Connector(#4), then connect the other side of Connector(#4) to adjacent section with the thinner side.



Step 3:

Make sure you find the most flat place and it's plenty enough to put a trampoline, 2 people would be necessary at this part, one person lifts up the top rail and connector assembly in step 2, and another person uses the leg assembled in step 1 to connect, then fix connector (#4) with screw (#6). Keep repeating step 3 until the 6 bases are connected, as shown in the picture.

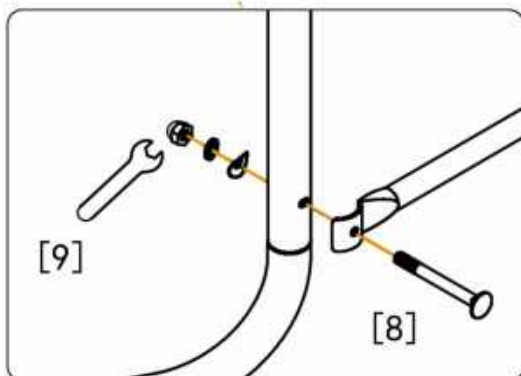
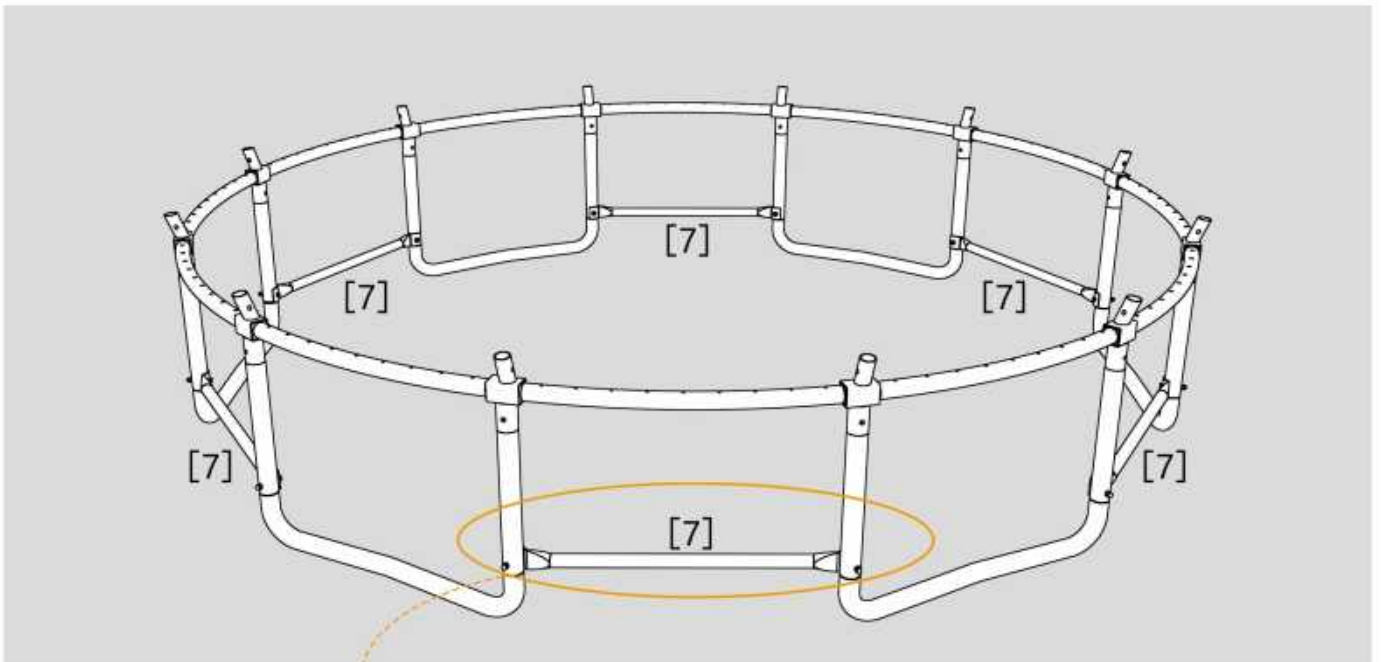
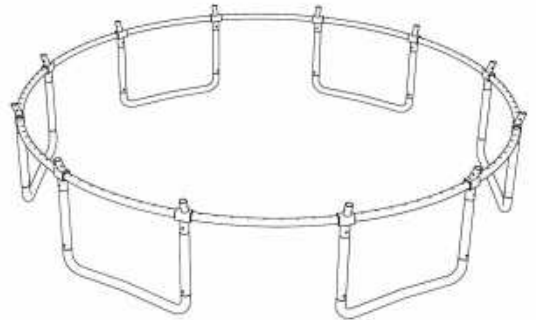
Don't forget to check the Connector is tight enough.



Step 4:

When the trampoline base is assembled, then we can fix the Balance Bars(#7) between 2 Leg Base. Use the Screw(#8) to connect the Vertical Leg Extension, Leg Base, and Balance bar, as shown in the picture below. Remember: The balance bar is connected between leg to leg, not inside of one leg.

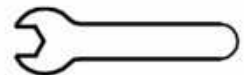
7



8

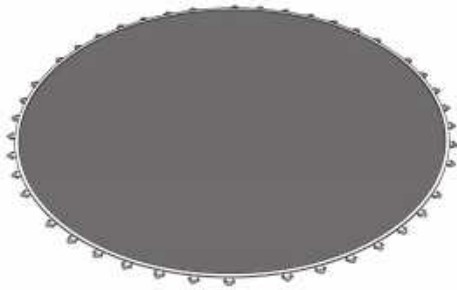


9



STEP 5-Trampoline Mat Assembly

The springs need to be placed in position as shown in the diagram below,in order to pull the "Trampoline Mat" in all four directions.Make sure each V-ring on themat corresponds to every single opening on the top rail.



10



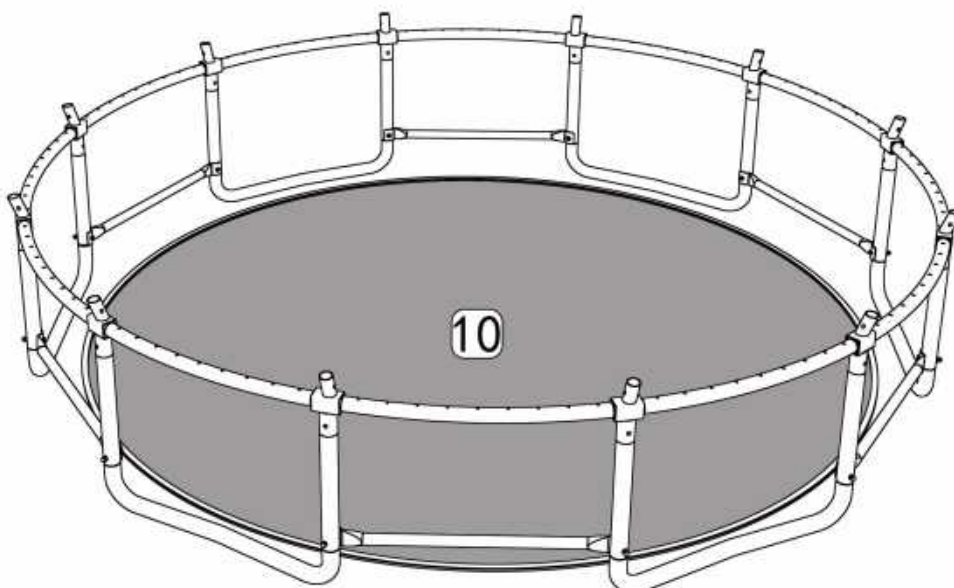
11



12

MOST IMPORNANT TIP:

Count the holes on top rail and the V-rings in mat and mark every quater pointon both mat and top rail,then use the spring to attach the V-rings and holewhich were marked.



Lay out the Jumping Mat(#10)inside the frame on the floor as the picture on the left.

TIP 1

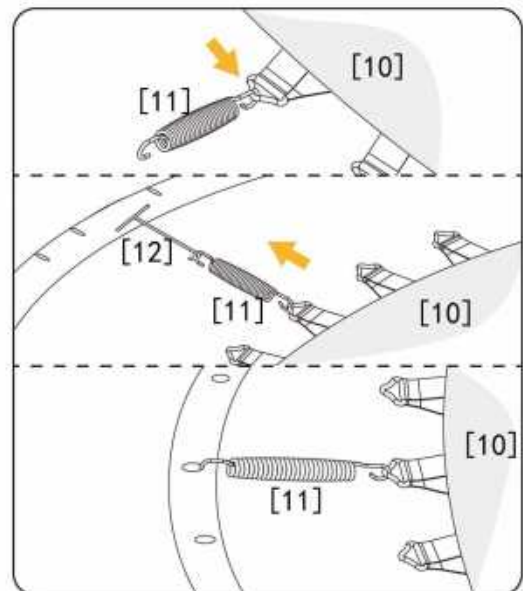
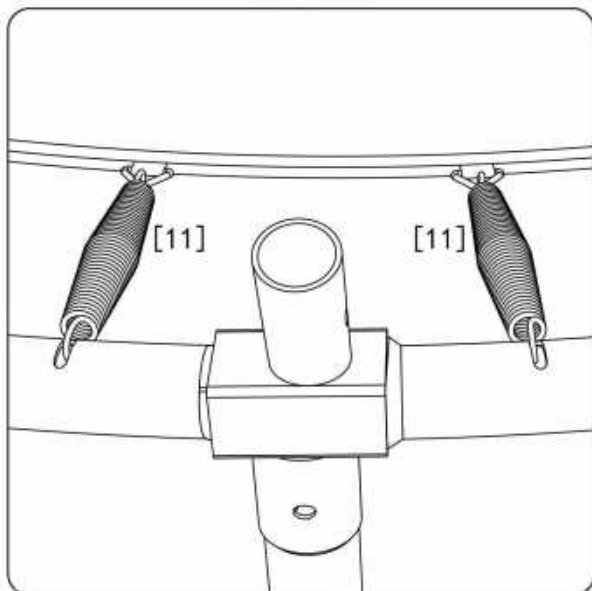
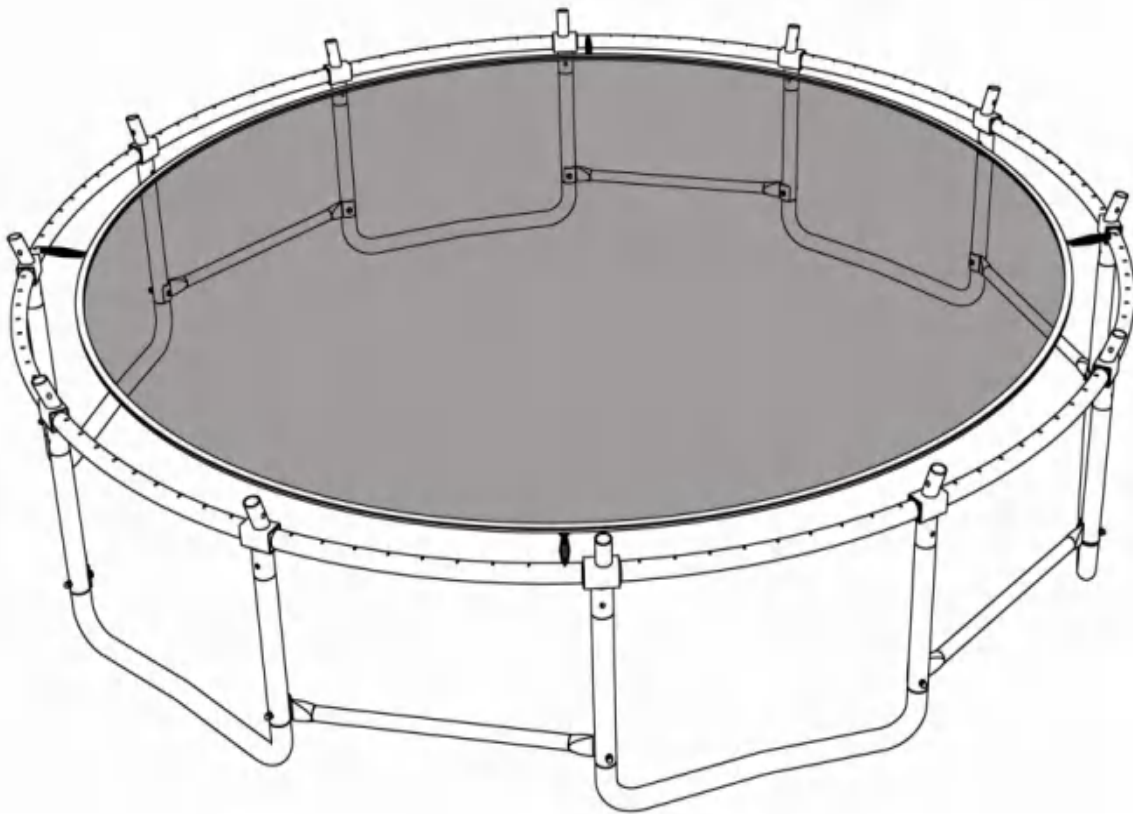
Install the Springs in the X-shape order one by one to make sure the tension is distributed evenly for the Jumping Mat. Gently tap down against the spring if the hook is not completely in the hole.

TIP 2

Make sure the serial number of the triangular rings on the Jumping Mat and the holes on the top rail frame are the same when counting from the same direction.

WARNING

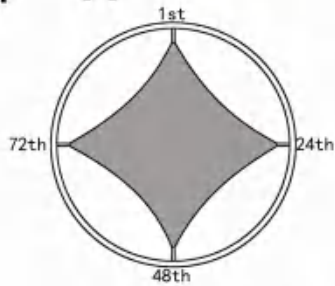
Please take care not to pinch your hands and other body parts during spring assembly.





15FT

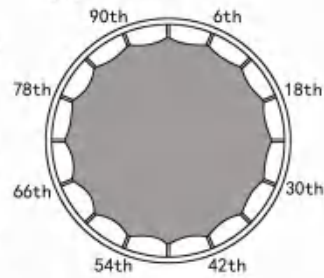
[1]



[2]



[3]

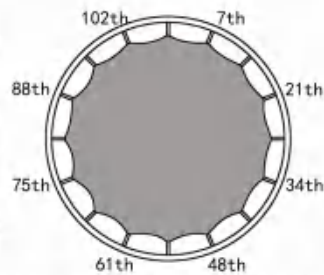
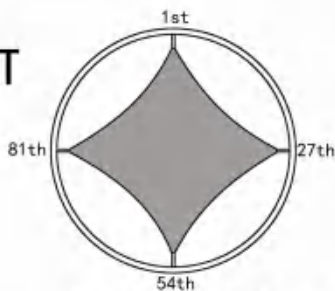


[4]

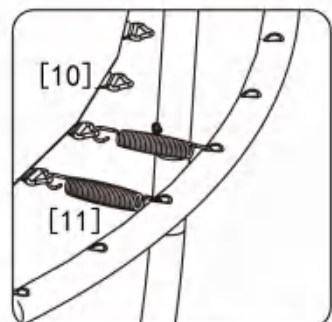
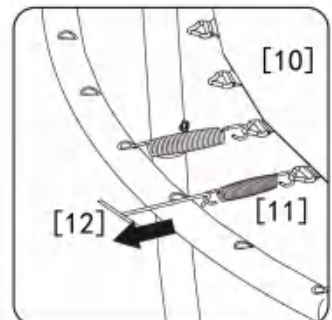
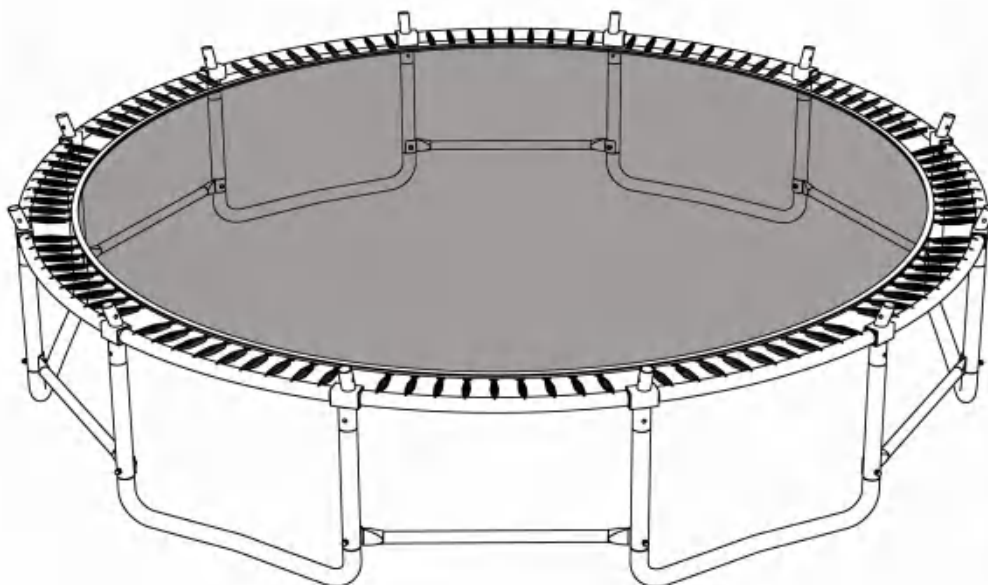


Xshape: 1st → 24th → 48th → 72th → 12th → 36th → 60th → 84th

16FT

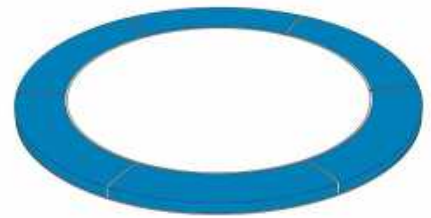


X shape: 1st → 54th → 27th → 81th → 14th → 41th → 68th → 95th

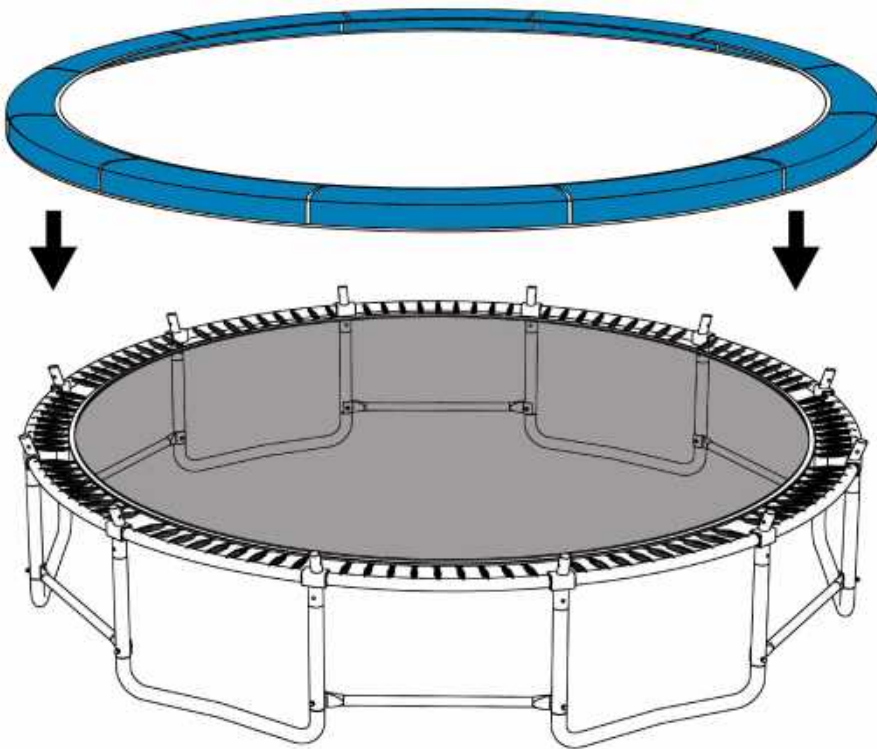


STEP 6-Frame Cover Pad Assembly

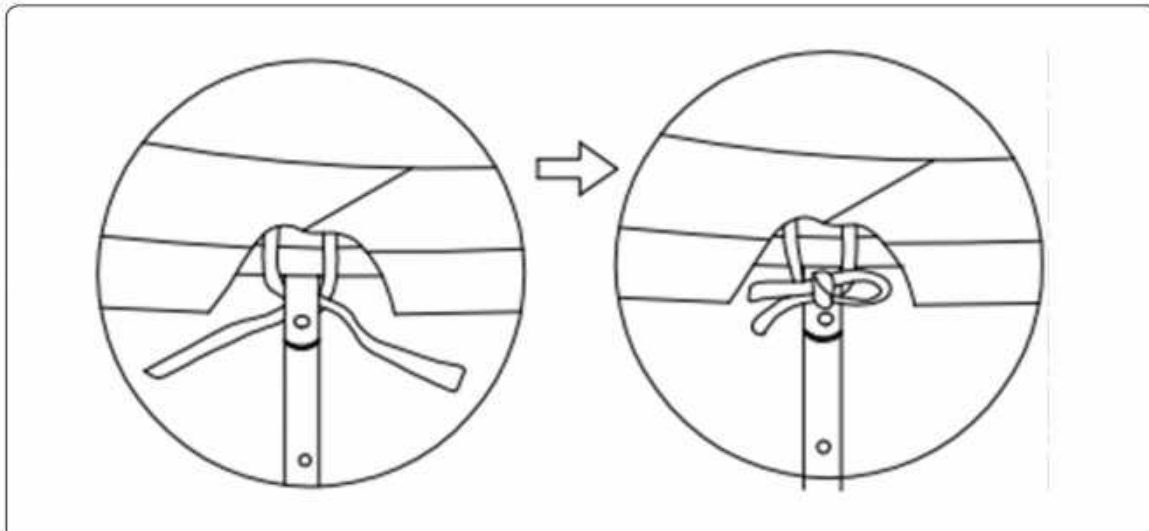
A. Lay the Frame cover pad over the trampoline so that the springs and the steel frame is covered. Please ensure that the Frame Pad covers all metal parts

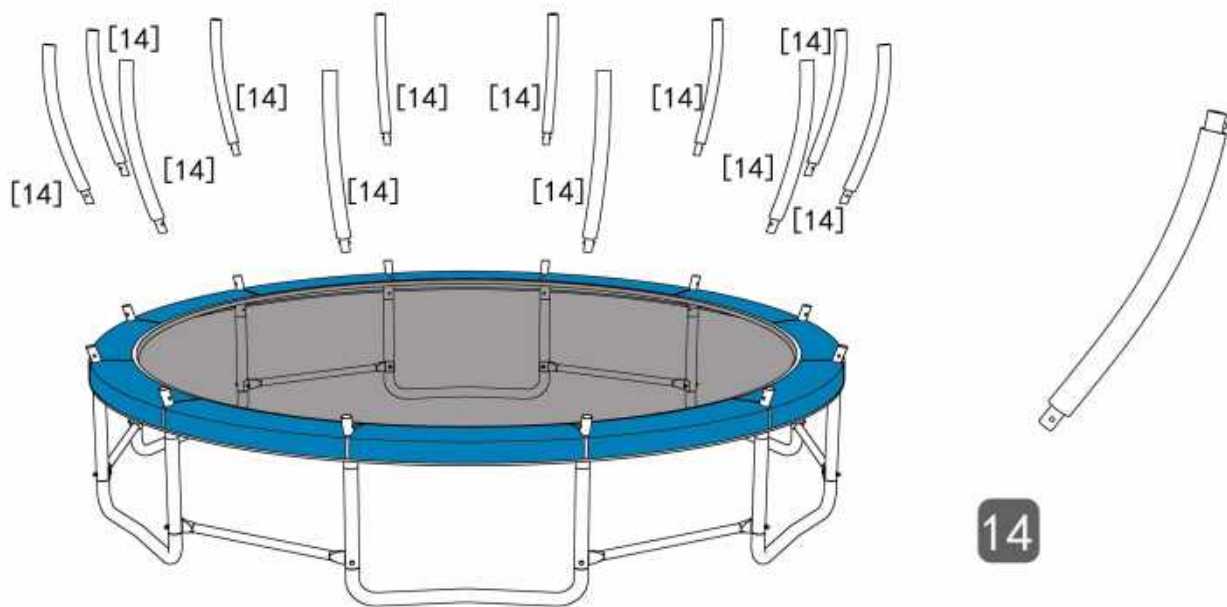


13



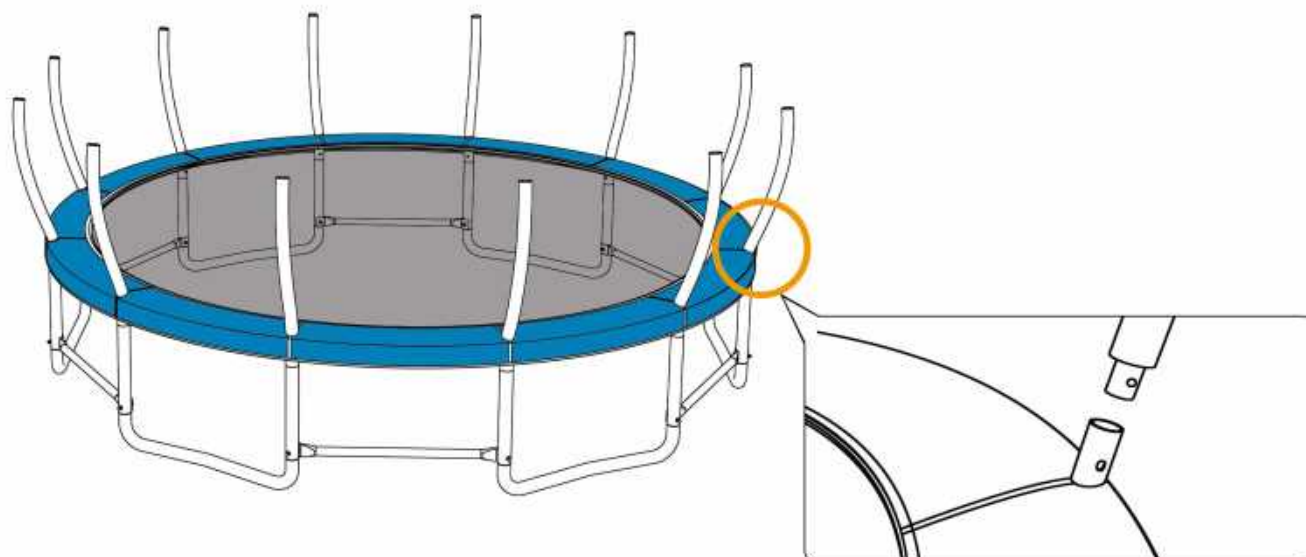
B. Tie the strap located at the under side of the framepad to the frame.





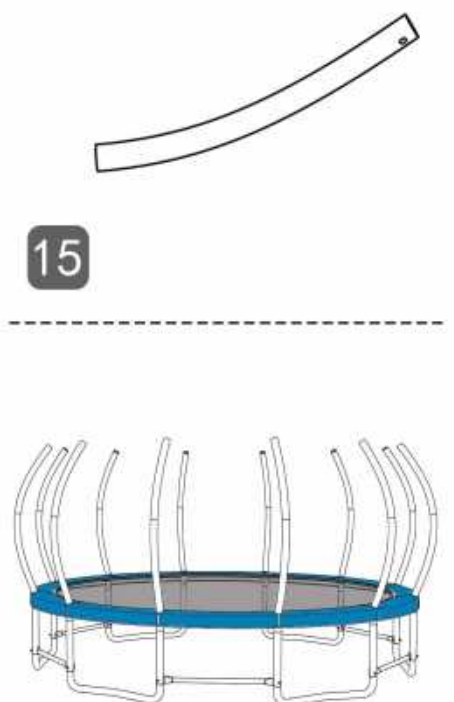
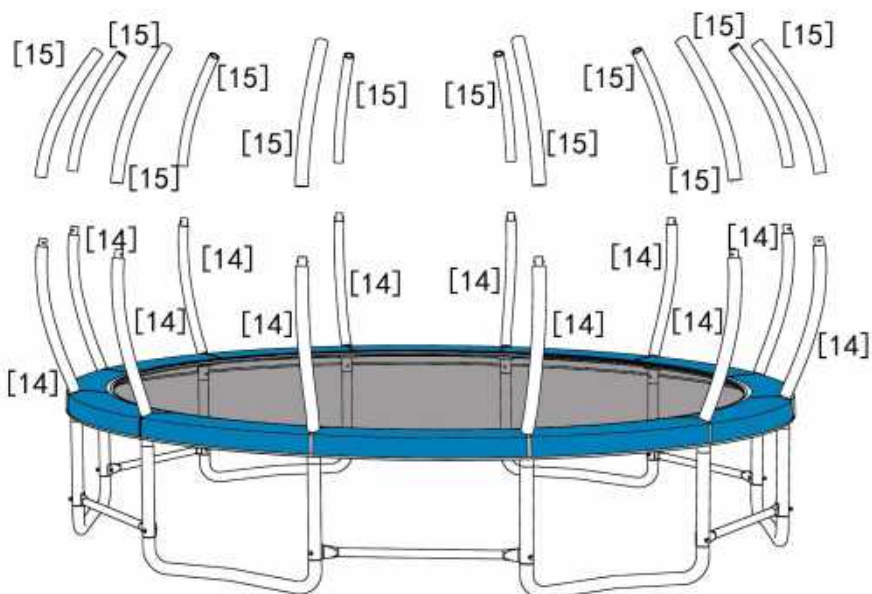
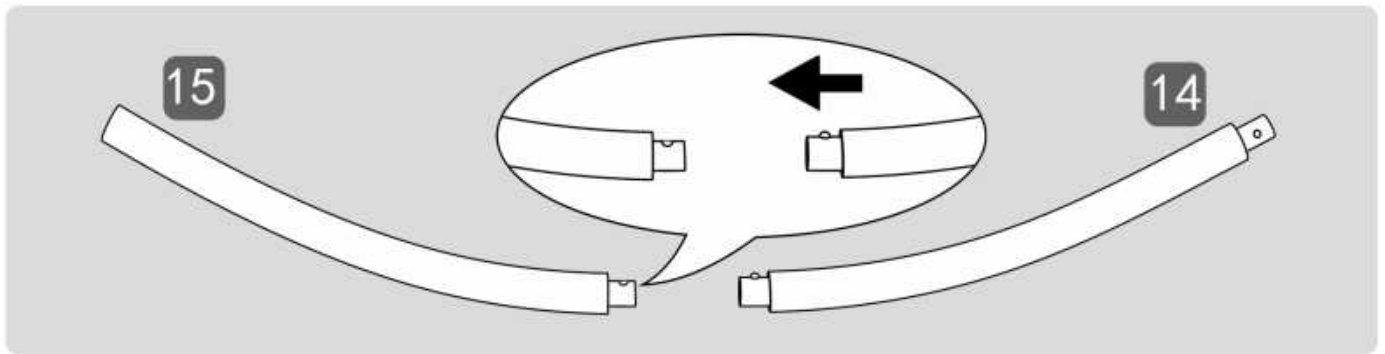
STEP 7:

Mount the Bottom Safety Pole (#14) onto the Connector (#4)



STEP 8 :

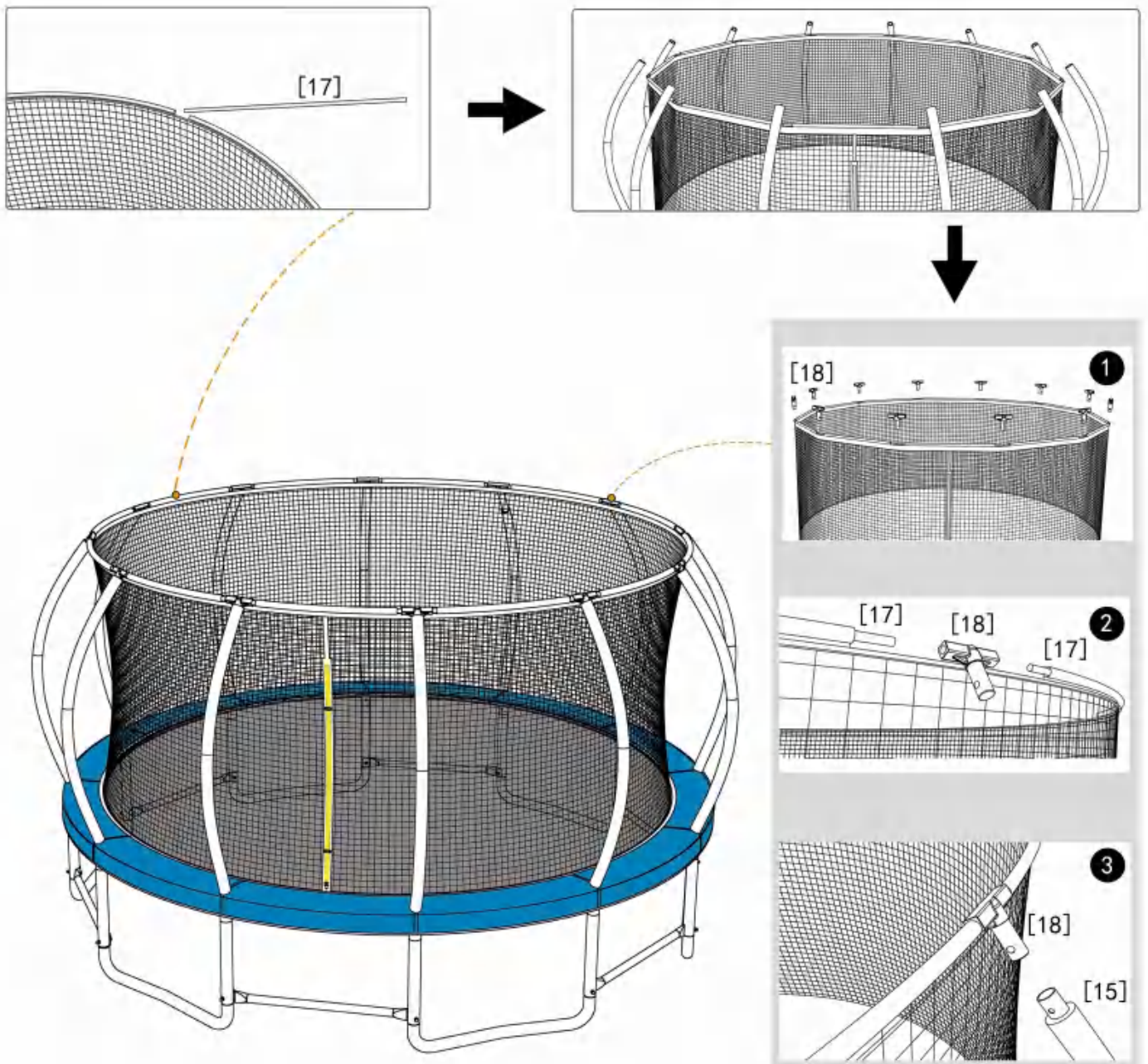
Insert the Up Safety Pole(#15)into the top of the Bottom Safety Pole(#14),and then rotate the Up Safety Pole(#15)to make the hole position coincide with the marble position of the Bottom Safety Pole (#14)untill the metal marbles pop out and fixed.Repeat step 8 to install 12 of the safety pole



STEP 9 :

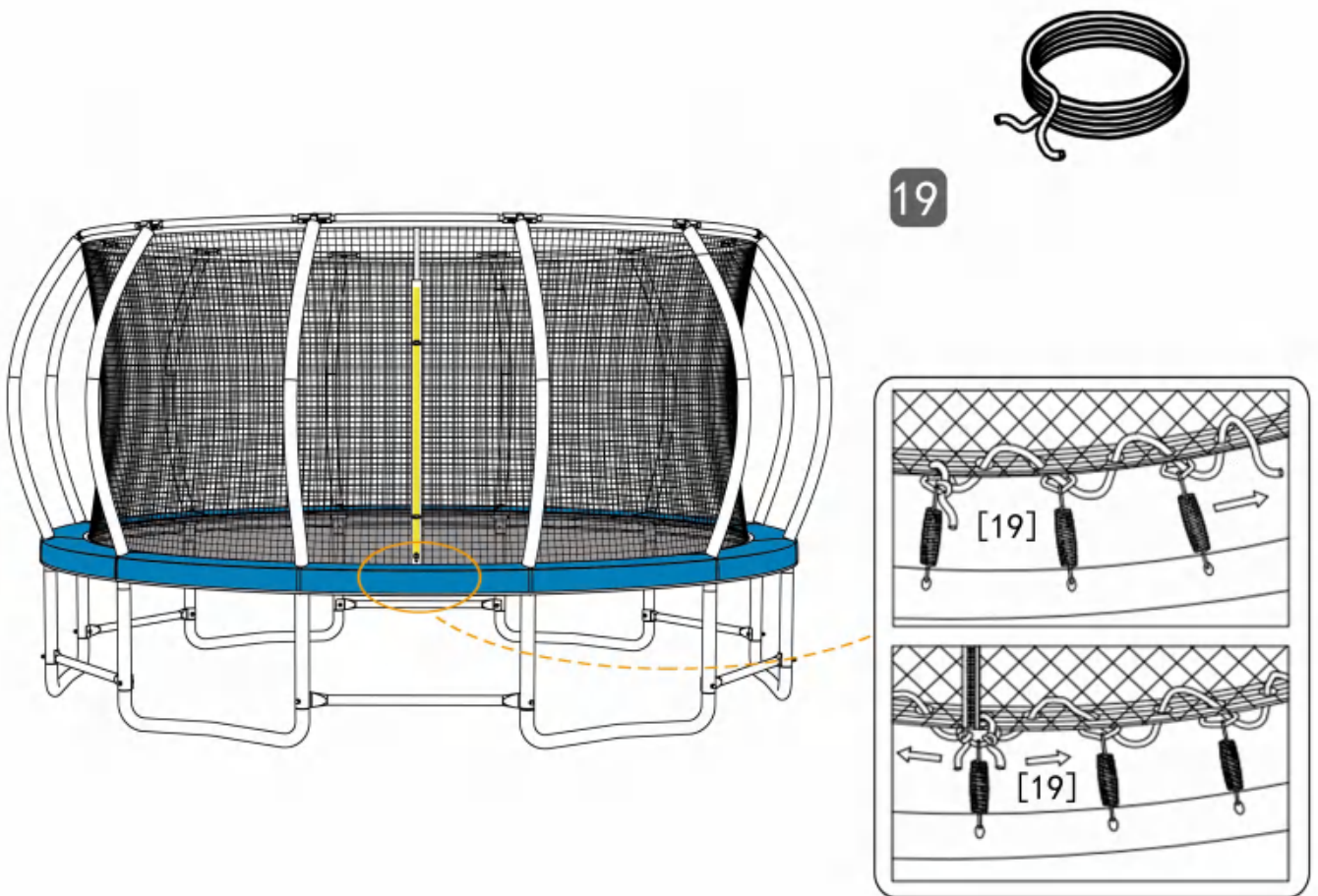
Insert the fiber rod(#17)into the top of the net (#16)

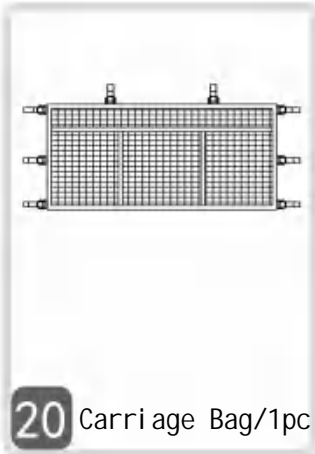
Use plastic joints(#18)to connect two fiber rods(#17)together,then insert the plastic joints(#18)into the Up Safety Pole(#15)Repeat step 9 until the 12 fiber rods are connected in a circle



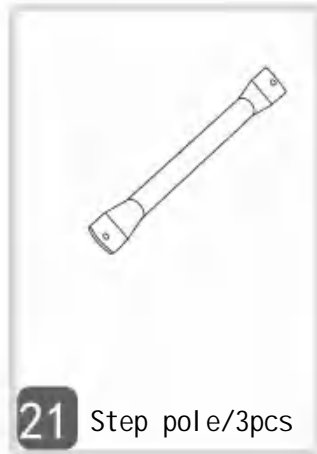
STEP 10 :

Components net ropes(#19),safety net(#16)through the bottom hole components,and parts cross around spring,and fixed.





20 Carriage Bag/1pc



21 Step pole/3pcs



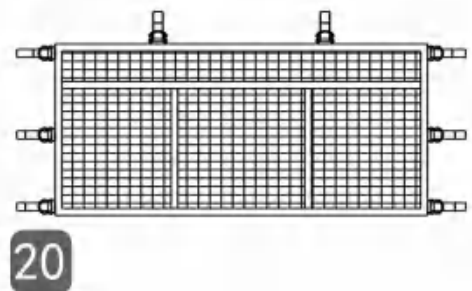
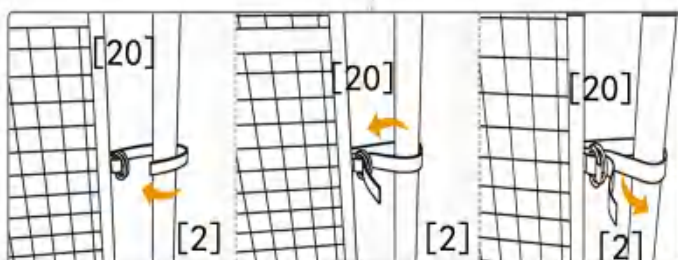
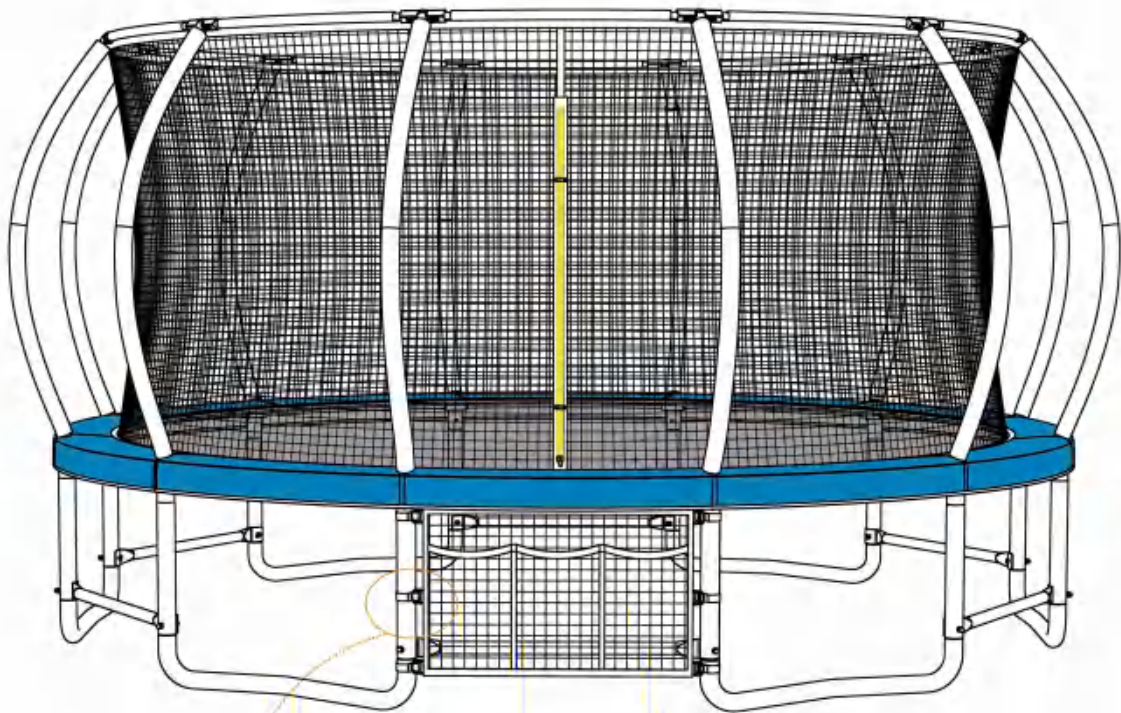
22 Frame Pole/2pcs



23 Ladder Screw/6pcs

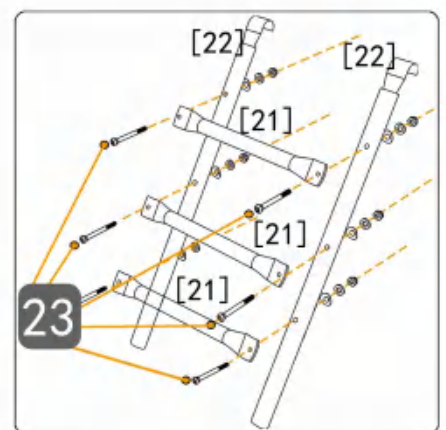
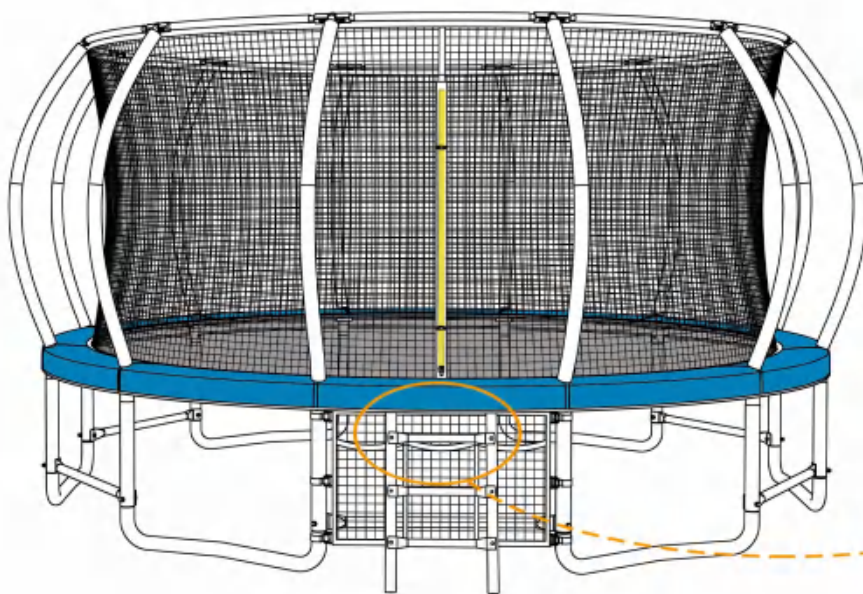
STEP 11:

Follow the instructions below to install the Carriage Bag(#20)between the two Leg Base



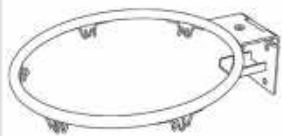
STEP 12-LADDER ASSEMBLY

Take out the Frame Pole(#22),Step Pole(#21)and screw(#23).And screw the Step Pole(#21)above the Frame Pole(#22)as shown in the figure.





24 Net/1pc



25 Hoop/1pc



26 Backboard/1pc



27 Specific Pole/1pc



28 Screw/4pcs



29 Screw/4pcs



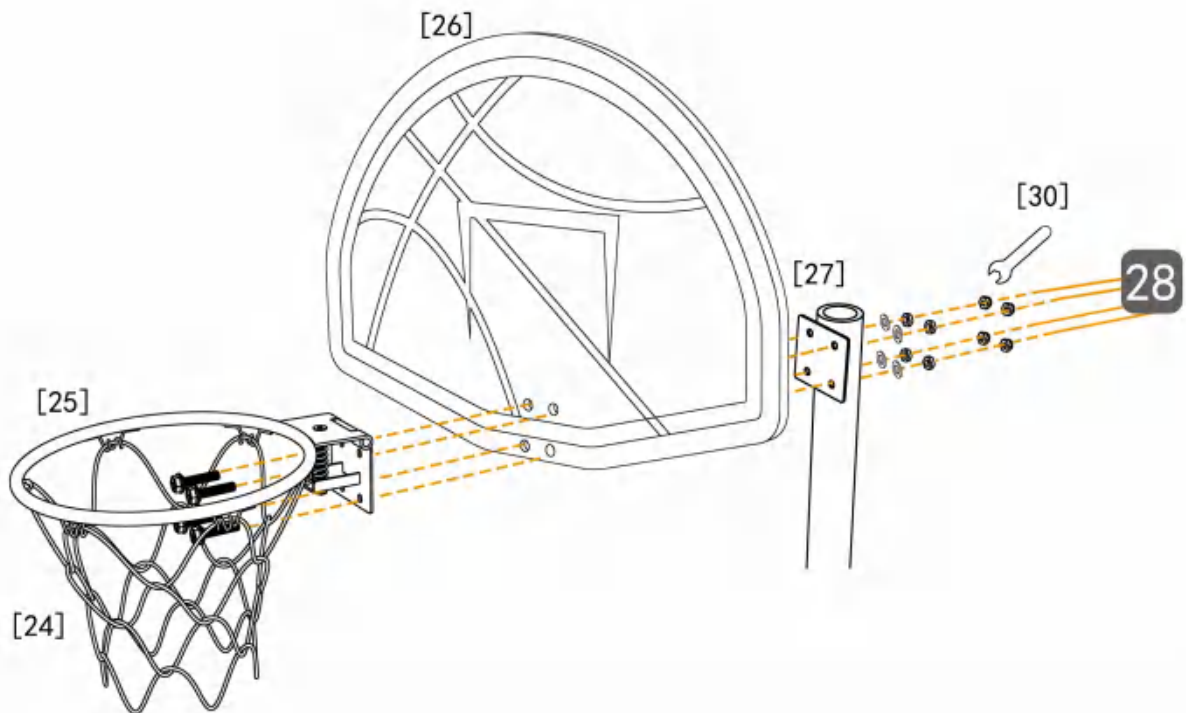
30 Spanner/1pc



31 Basketball/1pc



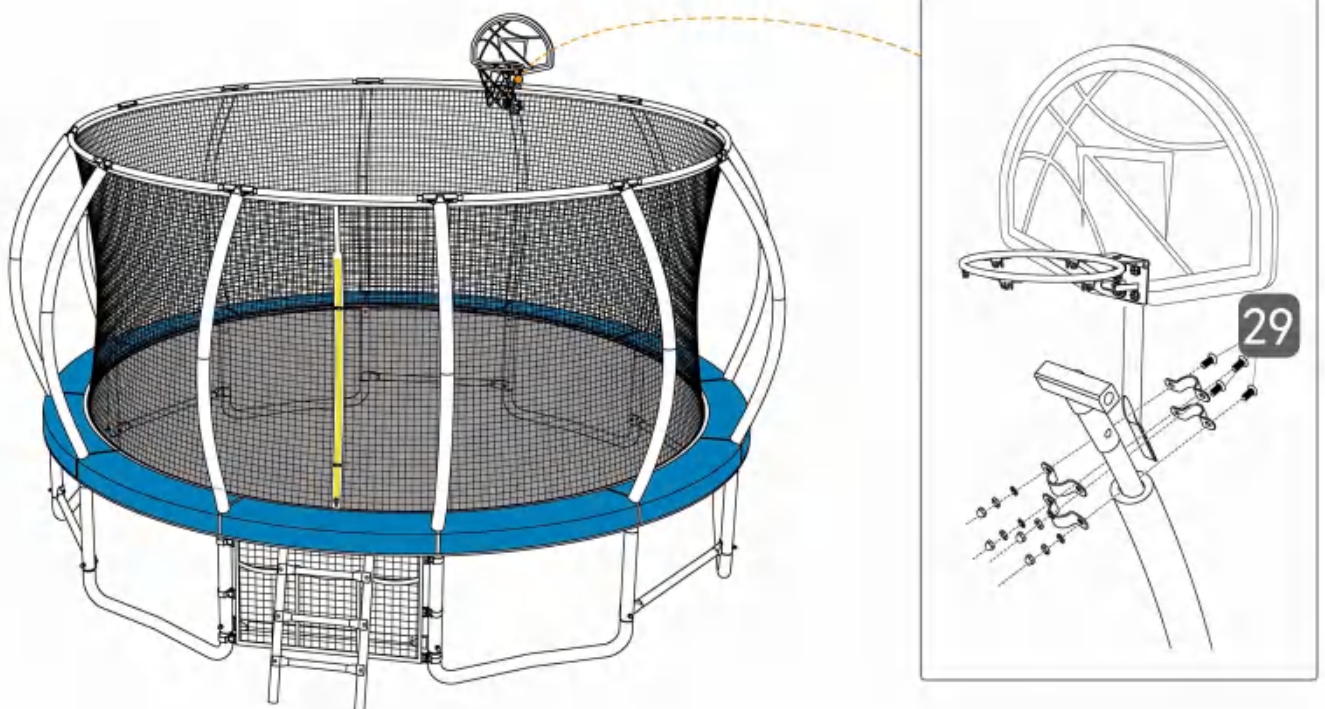
32 Pump/1pc



STEP 13:

Install the Backboard(#26)and Basketball Net(#24)onto the Backboard Specific Pole(#27),
secure them with screw(#28).

Install the assembled backboard onto net pole(#15) with screw(#29)



CARE AND MAINTENANCE

This trampoline was designed and manufactured with quality materials and craftsmanship. If proper care and maintenance is provided. It will provide all jumpers with years of exercise, fun, and enjoyment as well as reduce the risk of injury. Please follow the guidelines listed below:

This trampoline is designed to with hold a certain amount of weight and use . Please make sure that only one person at any one time uses the trampoline. Also, the person should weight less than **330lbs (150kgs)** jumpers should either wear socks, gymnastics shoes, or be barefoot .

When using the trampoline. Please be aware that street shoes or tennis shoes should NOT be worn while using the trampoline in order to prevent the trampoline mat from getting cut or damaged please do not allow any pets onto the mat. Also, jumpers should remove all sharp objects from their person prior to using the trampoline. Any type of sharp or pointed objects should be kept off the trampoline mat at all times.

Always inspect the trampoline before each use for worn, abused or missing parts. A number of conditions could arise that may increase your chances of getting injured. Please be aware of:

Punctures, holes, or tears in the trampoline mat

Sagging trampoline mat

Loose stitching or any kind of deterioration of the mat

Bent or broken frame parts, such as the legs

Broken, missing, or damaged springs

Damaged, missing, or Insecurely attached frame pad

Protrusions of any types (especially sharp types) on the frame, springs, or mat

CARE AND MAINTENANCE

WINDY CONDITIONS

In severe wind situations, the trampoline can be blown about. If you expect windy weather conditions, the trampoline should be moved to a sheltered area or disassembled. Another option is to tie the round, outside portion (top frame) of the trampoline to the ground using ropes and stakes.

To ensure security, at least three (3) tie downs should be used. Do not just secure the legs of the trampoline to the ground because they can pull out the frame sockets.

MOVING THE TRAMPOLINE

If you need to move the trampoline, two people should be used. All connector points should be wrapped secured with weather resistant tape, such as duct tape. This will keep the frame intact during the move and prevent the connector points from dislocating and separating. When moving, lift the trampoline slightly off the ground and keep it horizontal to the ground. For any type of other move, you should disassemble the trampoline.

IF YOU FIND ANY OF THE PREVIOUS CONDITIONS, OR ANYTHING ELSE THAT YOU FEEL COULD CAUSE HARM TO ANY USER, THE TRAMPOLINE SHOULD BE DISASSEMBLED OR SECURED FROM USE UNTIL THE CONDITIONS HAS BEEN RESOLVED.

THE PRODUCT SPECIFICATIONS AND INFORMATION MENTIONED IN THESE OPERATING INSTRUCTIONS ARE FOR REFERENCE ONLY, AND ARE SUBJECT TO CHANGE WITHOUT NOTICE.

LIMITED WARRANTY

Ours trampoline products to be free from defects in material and workmanship under normal use and service conditions. The steel frame is warranted for one (1) year after the date of purchase. All other parts are warranted for six (6) months after the date of purchase. Wind or weather damage is not warranted.

All warranty coverage extends only to the original retail purchaser from the date of purchase. . This Warranty does not extend to any product or damage to a product caused by or attributable to freight damage, abuse, misuse, improper or abnormal usage, or to products used for commercial or rental purpose.

In addition, in order to meet the possible demand, our accessories can also be obtained for a fee. The fee will include the value of accessories and the delivery fee.
You can contact us through the following email address : service@cnmersco.com

OUR COMPANY IS NOT RESPONSIBLE OR LIABLE FOR INDIRECT, SPECIAL OR CONSEQUENTIAL DAMAGES ARISING OUT OF OR IN CONNECTION WITH THE USE OR PERFORMANCE OF THE PRODUCT OR OTHER DAMAGES WITH RESPECT TO ANY ECONOMIC LOSS, LOSS OF PROPERTY, LOSS OF REVENUE OR PROFITS, LOSS OF ENJOYMENT OR USE, COST OF REMOVAL, INSTALLATION OR OTHER CONSEQUENTIAL DAMAGES. SOME STATES DO NOT ALLOW THE EXCLUSION OR LIMITATION OF INCIDENTAL OR CONSEQUENTIAL DAMAGES. ACCORDINGLY, THE ABOVE LIMITATION MAY NOT APPLY TO YOU.

THE WARRANTY EXTENDED HEREUNDER IS IN LIEU OF ALL

OTHER WARRANTIES AND ANY IMPLIED WARRANTY OF MERCHANTABILITY OR FITNESS FOR A PARTICULAR PURPOSE IS LIMITED IN ITS SCOPE AND DURATION TO THE TERMS SET FORTH HEREIN. SOME STATES DO NOT ALLOW LIMITATIONS ON HOW LONG AN IMPLIED WARRANTY LASTS. ACCORDINGLY, THE ABOVE LIMITATION MAY NOT APPLY TO YOU. This Warranty gives you specific LEGAL RIGHTS. You may also have other rights which vary state to state.

THIS WARRANTY IS VALID ONLY IN THE UNITED STATES.