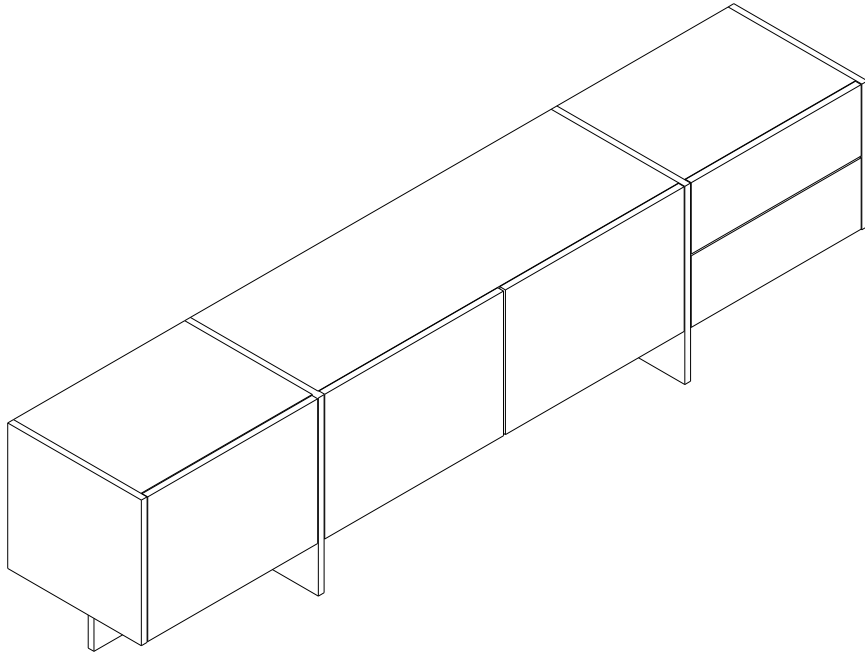


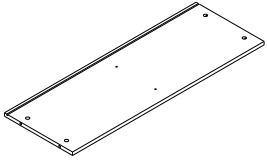
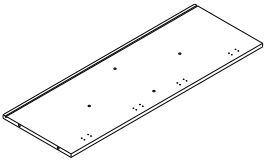
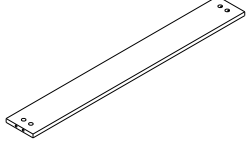
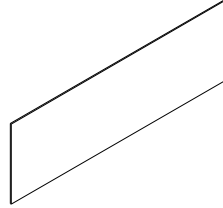
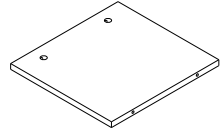
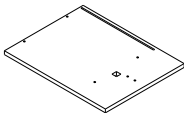
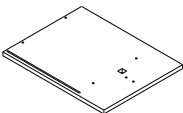
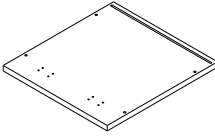
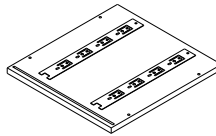
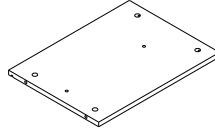
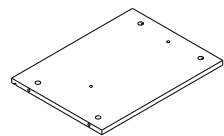
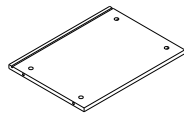
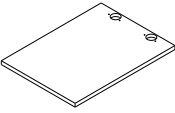
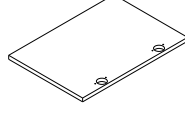
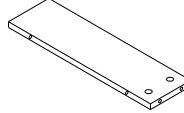
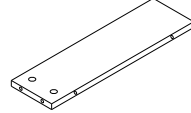
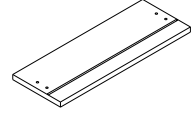
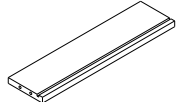
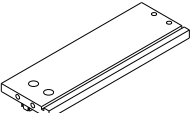
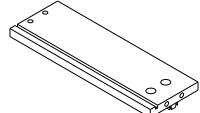
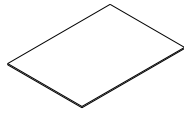
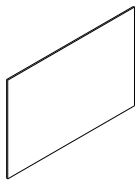
---

# Assembly Instructions





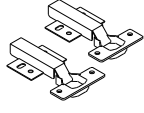
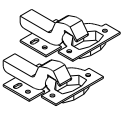






C230144G

# Parts & Hardware List

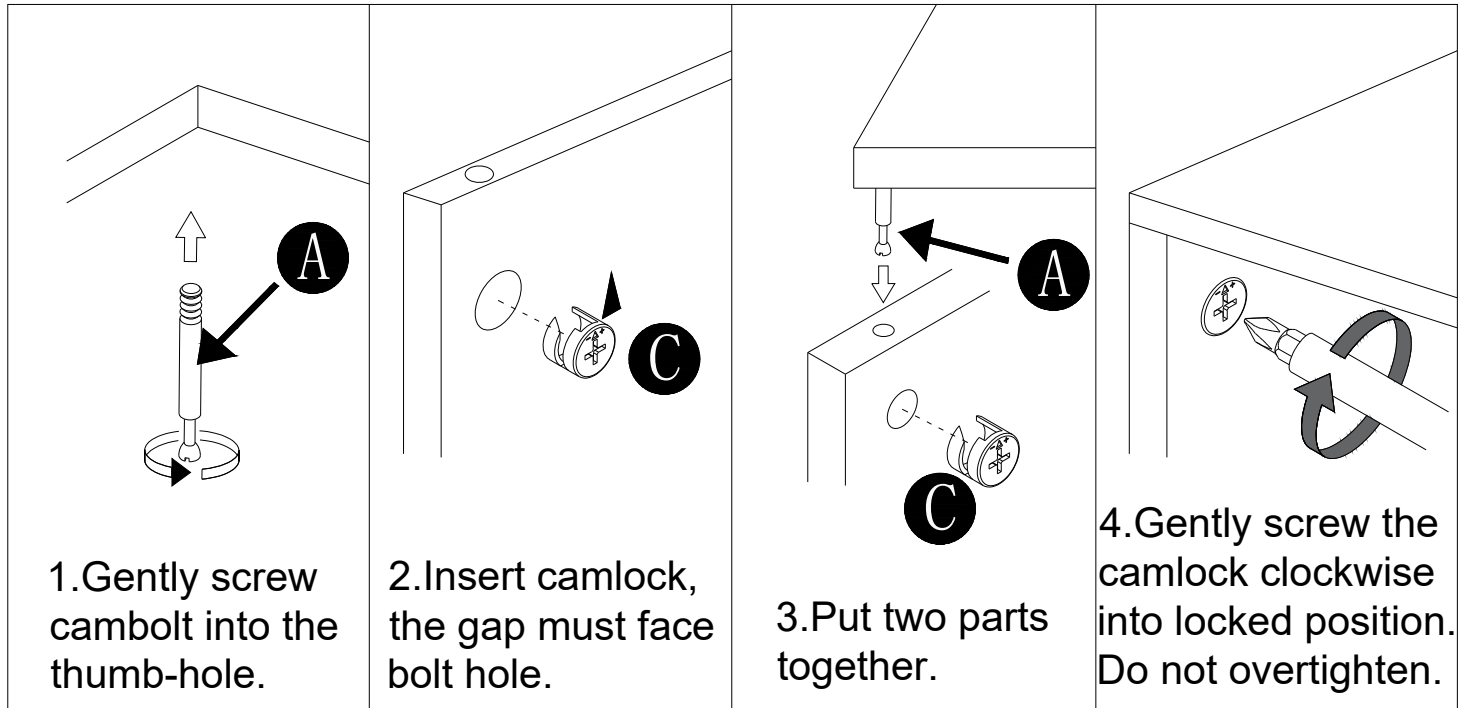
					
① 1pc	② 1pc	③ 1pc	④ 1pc	⑤ 1pc	
					
⑥ 1pc	⑦ 1pc	⑧ 1pc	⑨ 1pc	⑩ 1pc	⑪ 1pc
					
⑫ 2pcs	⑬ 1pc	⑭ 2pcs	⑮ 1pc	⑯ 1pc	⑰ 2pcs
					
⑱ 2pcs	⑲ 2pcs	⑳ 2pcs	㉑ 2pcs	㉒ 2pcs	

# Parts & Hardware List

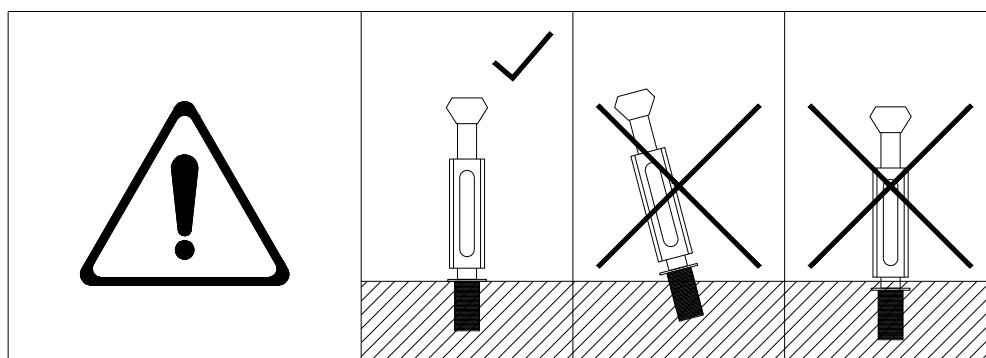
				
<b>A</b>	<b>B</b>	<b>C</b>	<b>P</b>	<b>W</b>
42pcs	16pcs	42pcs	36pcs	2set
				
<b>X</b>	<b>V</b>	<b>Z</b>		
1set	3pcs	1pc		

## Installation of Cams and Pins

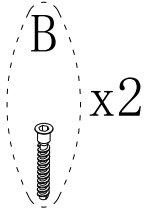
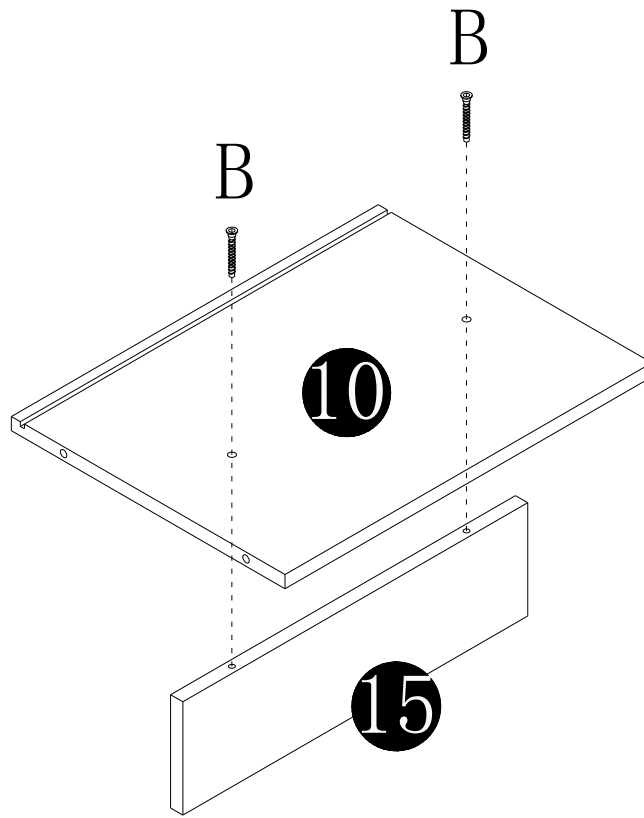
Screw the pin into the hole. To set the cams correctly, ensure that the arrow on the cam is opening to the hole of the pin it is locking. Lock the cam by turning the cam head with a screwdriver until it is tightened. Please do not use an electric screwdriver to assemble the unit.



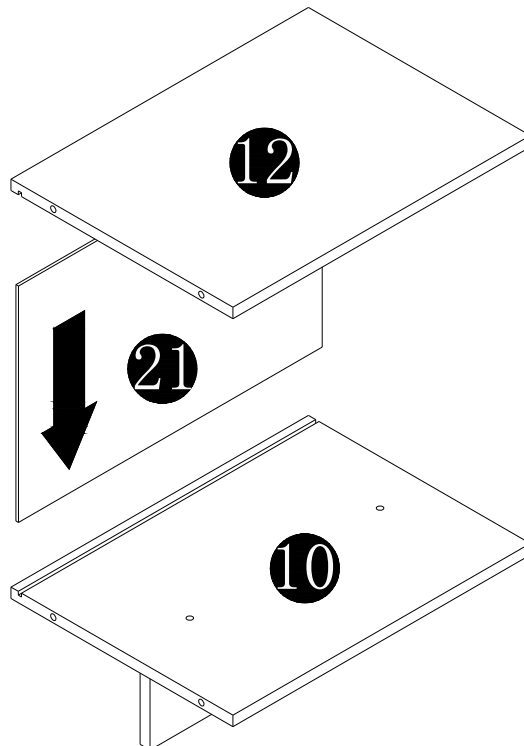
Read each step carefully before starting. It is very important that each step of instruction is performed in the correct order. If these steps are not followed in sequence, assembly difficulties will occur.



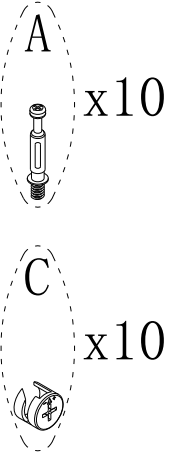
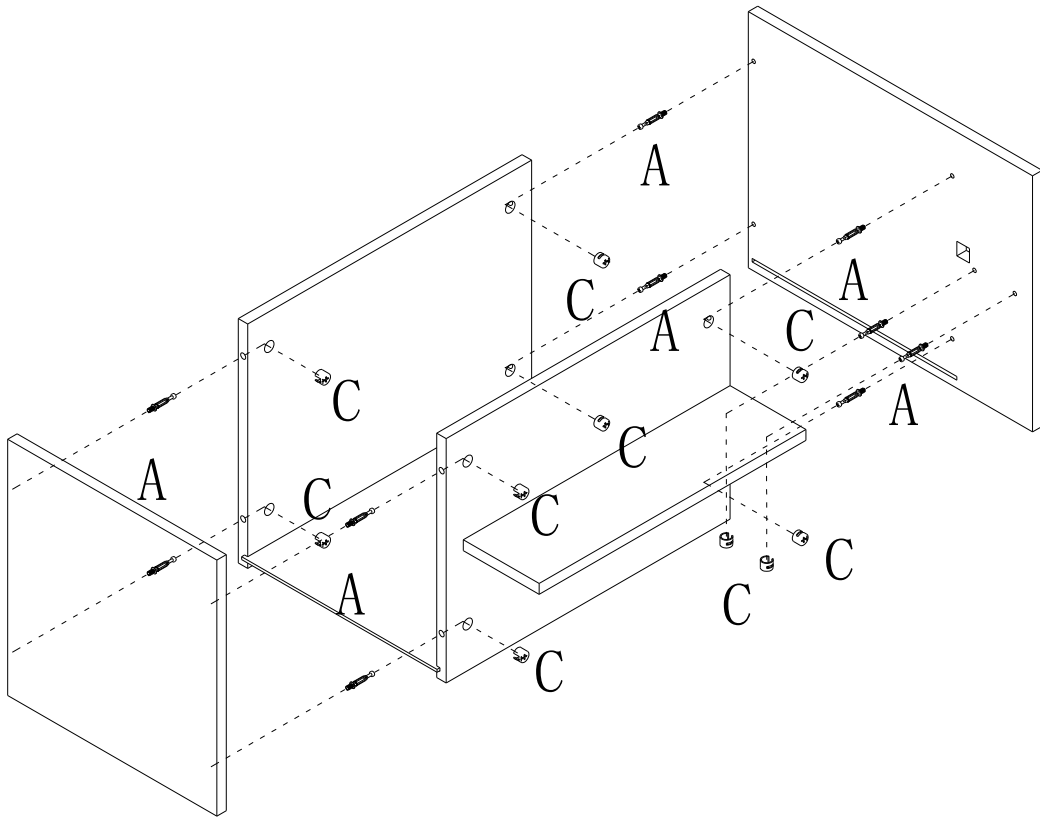
1



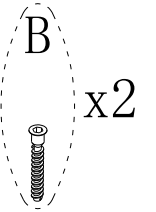
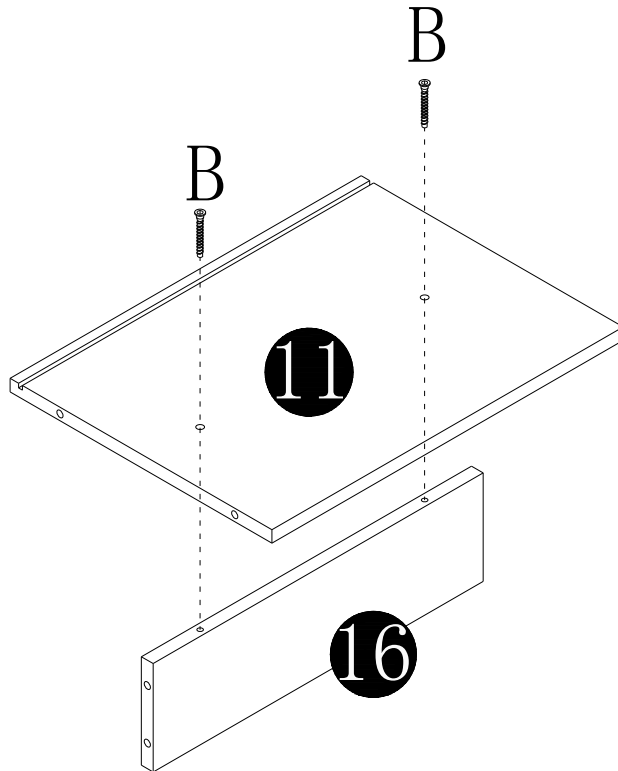
2



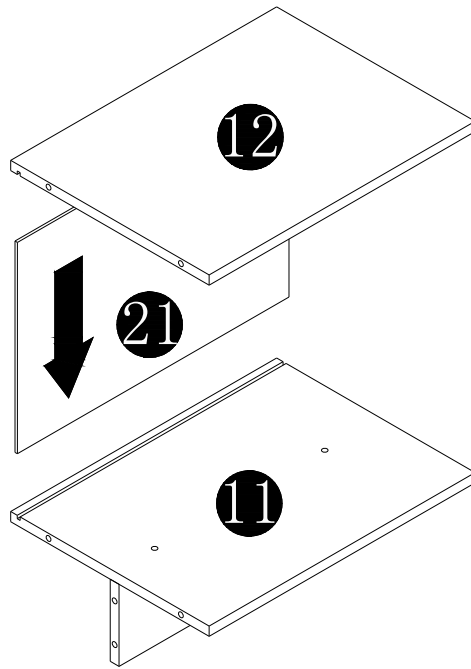
3



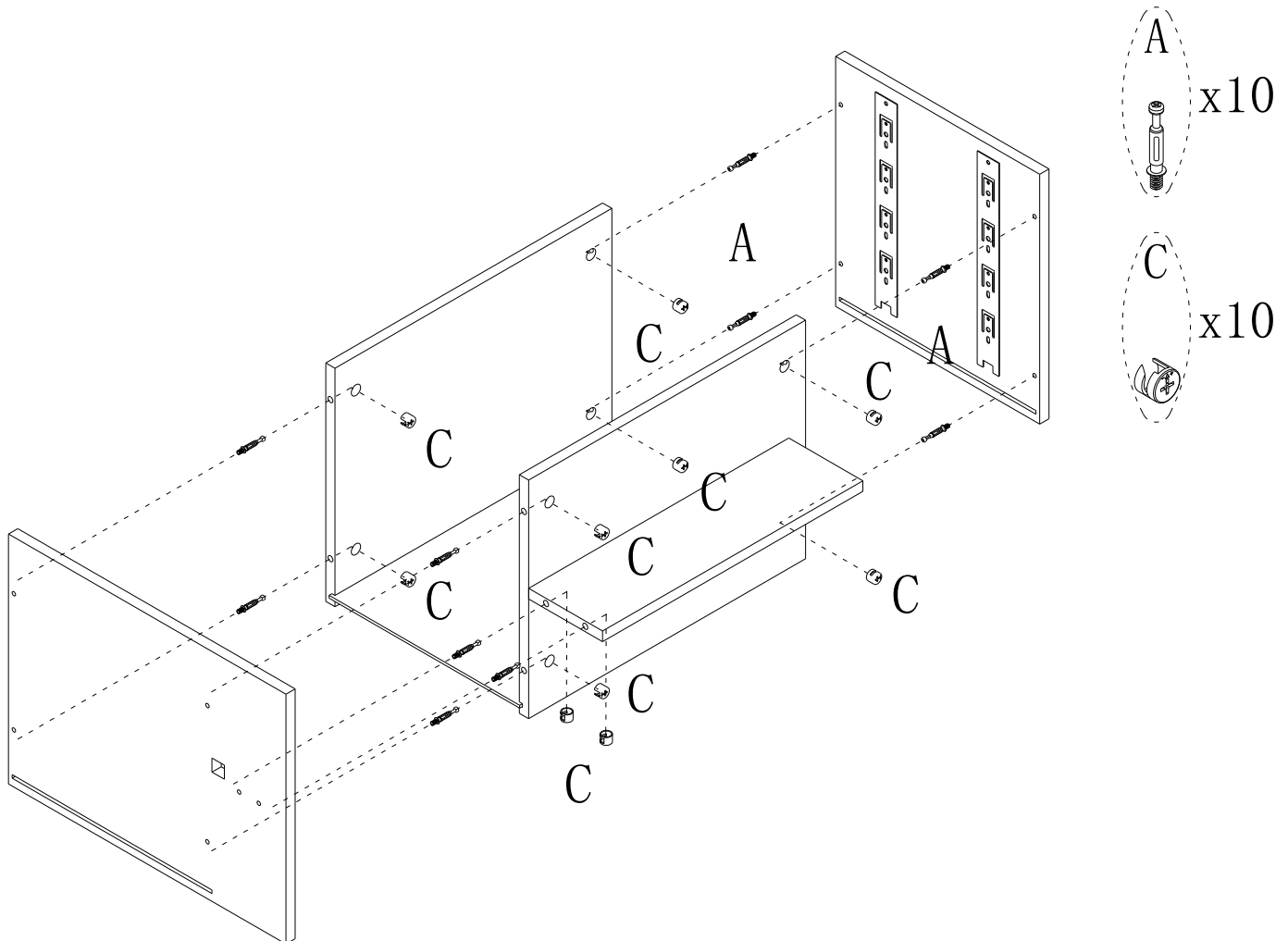
4



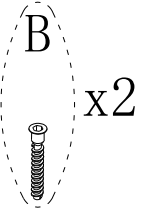
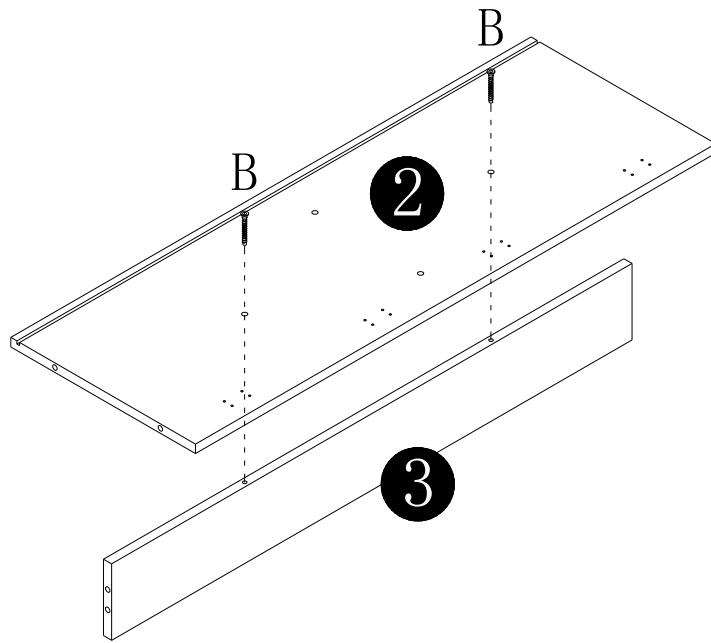
5



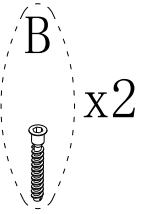
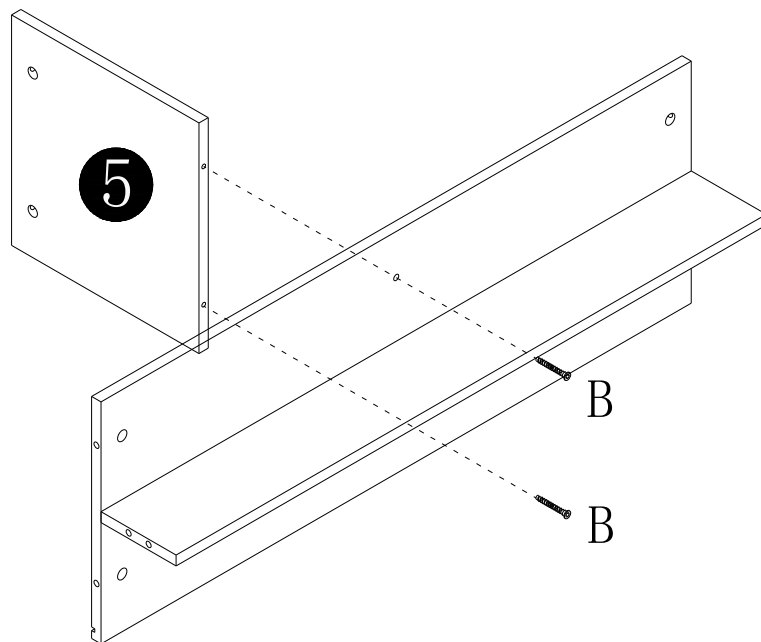
6



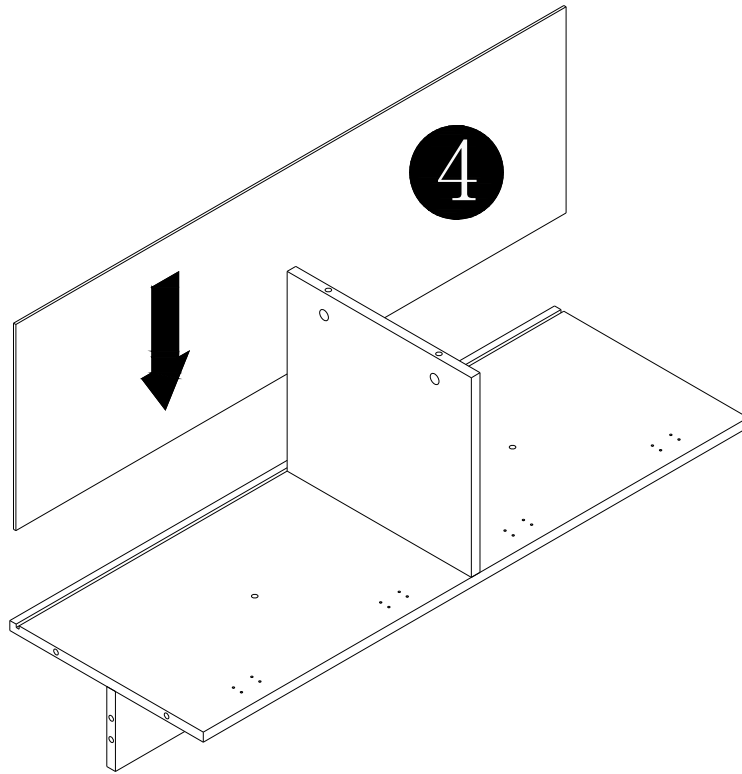
7



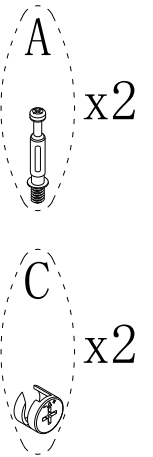
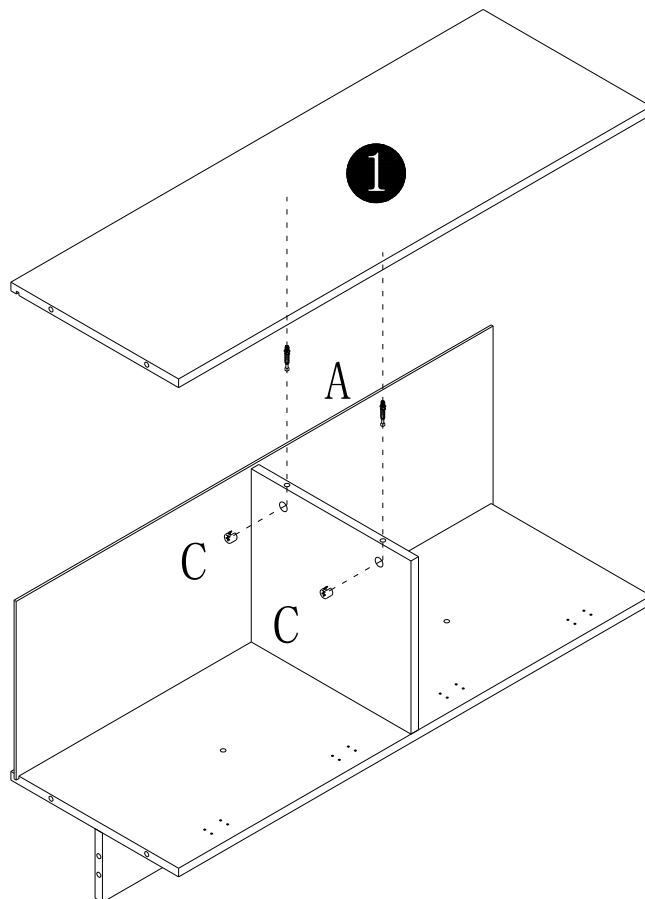
8



9

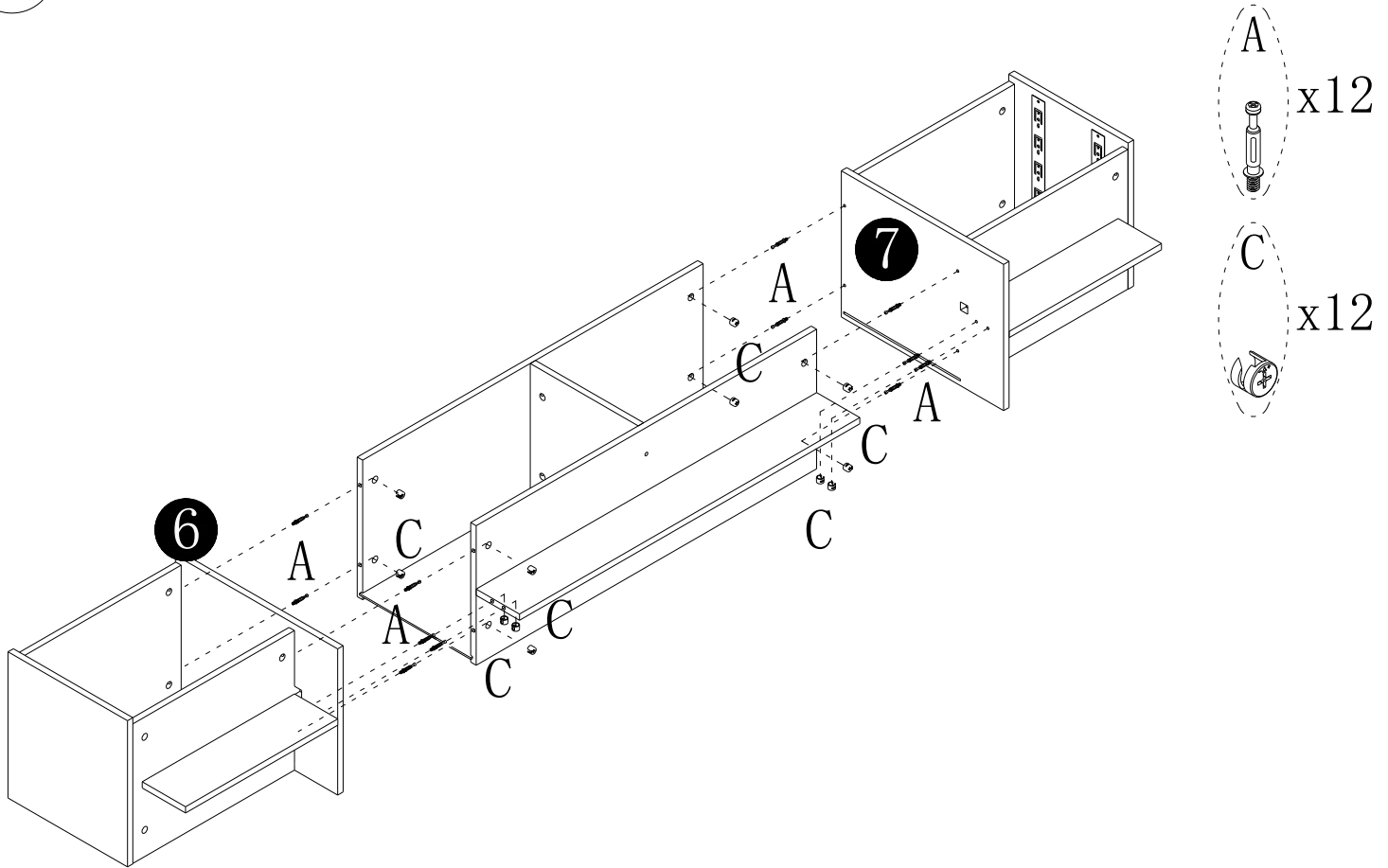


10

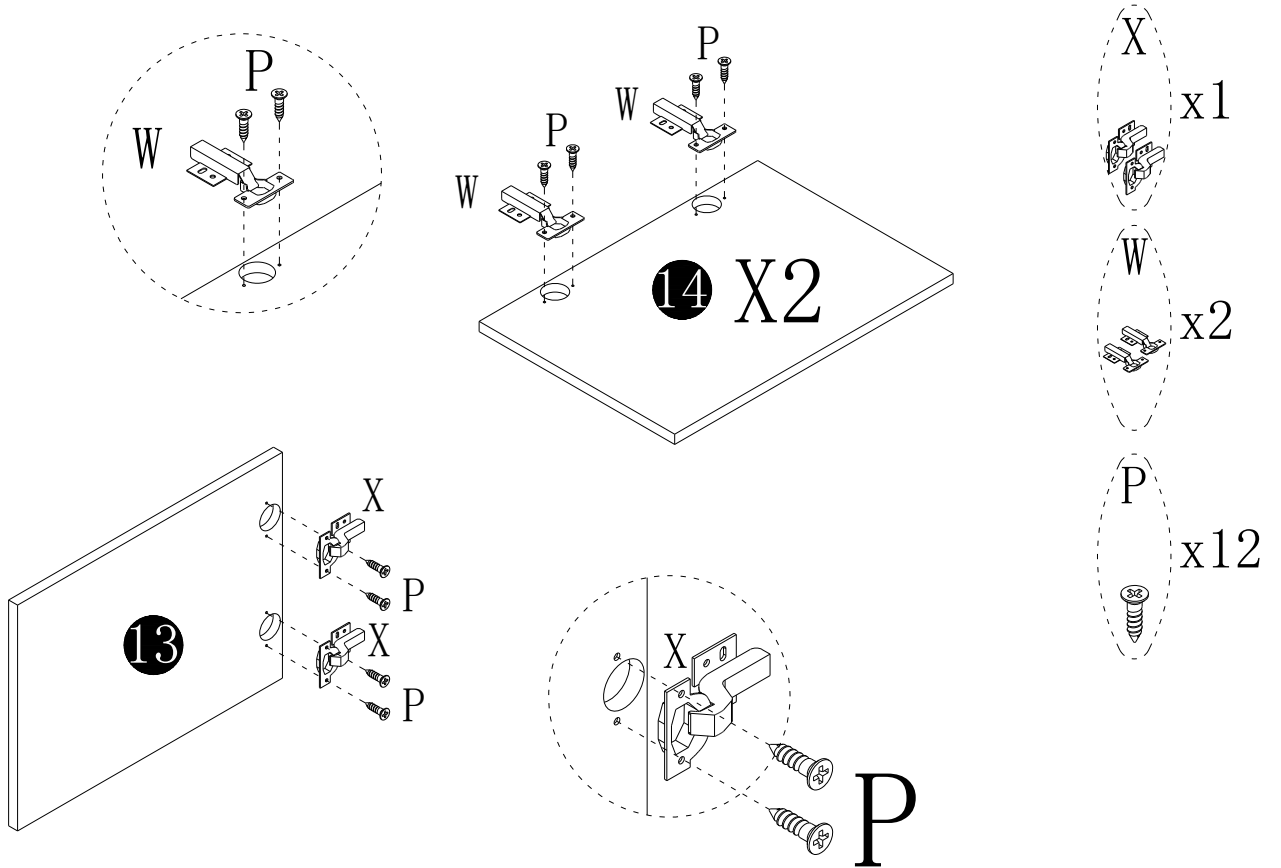




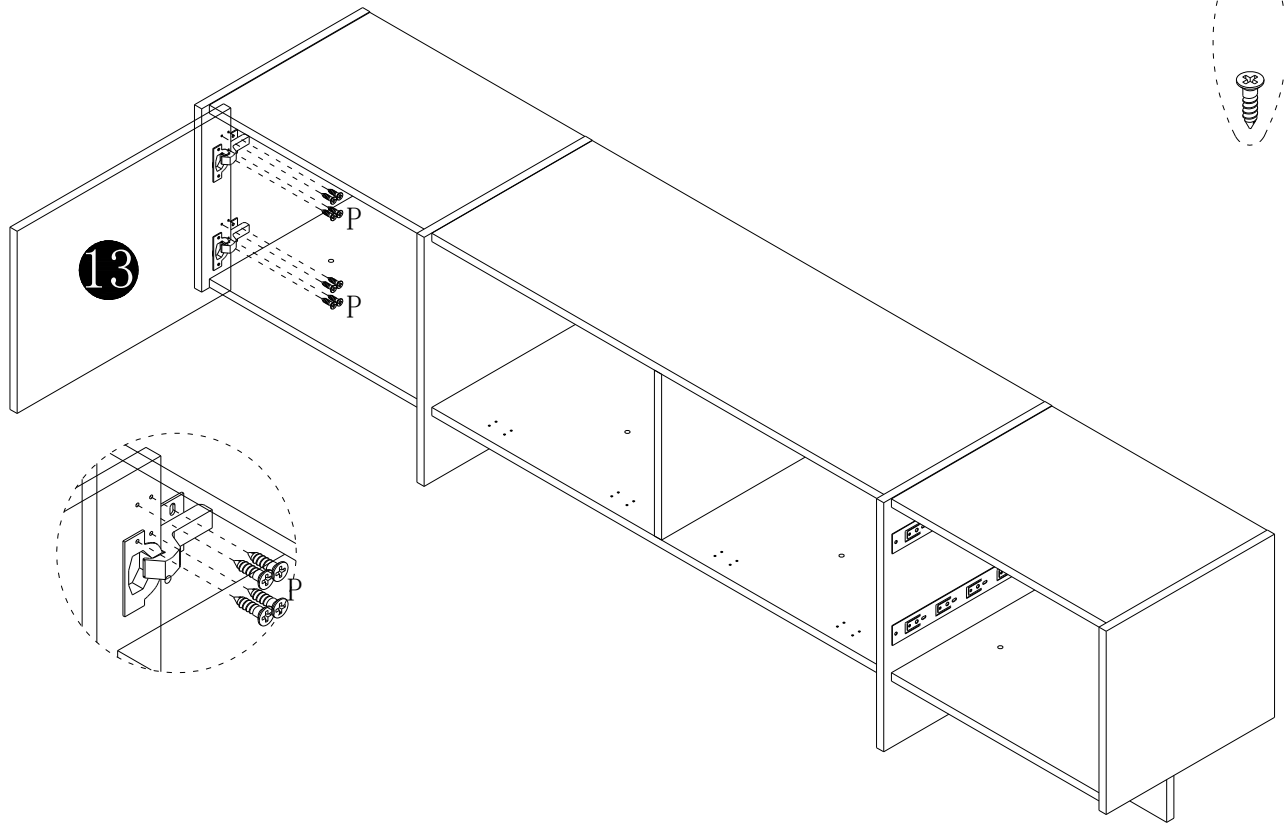
11



12

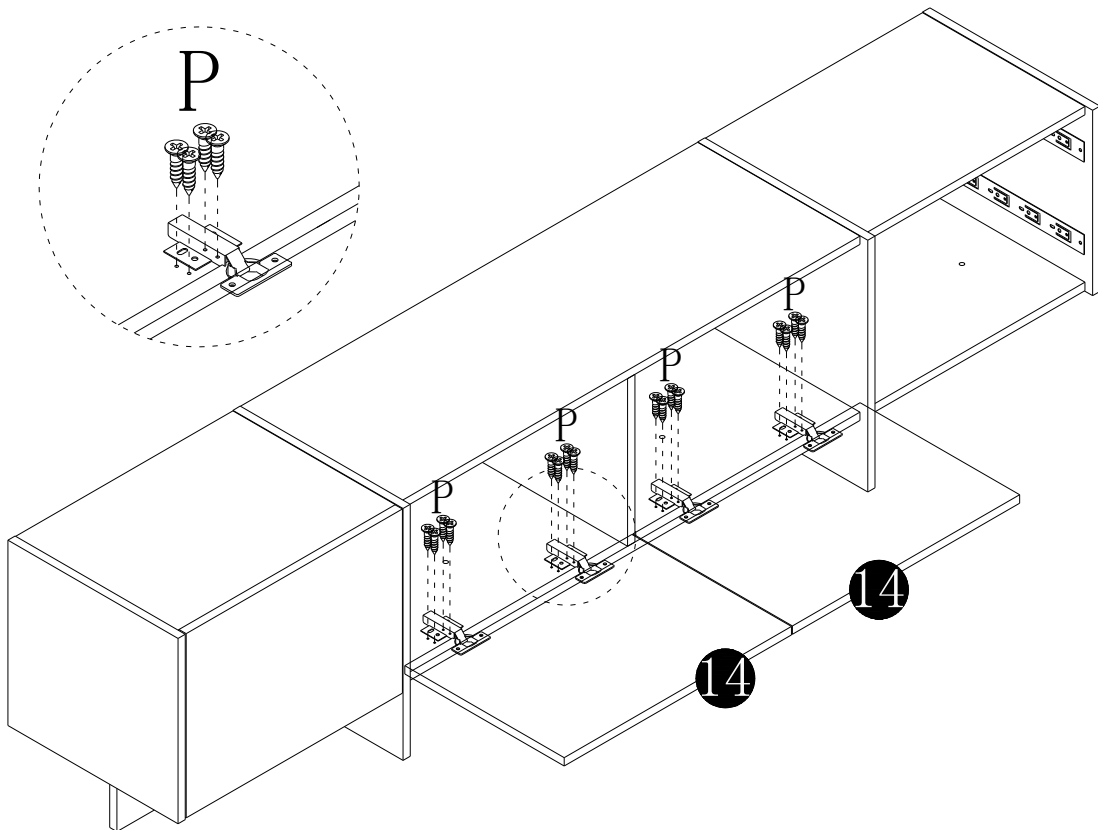


13



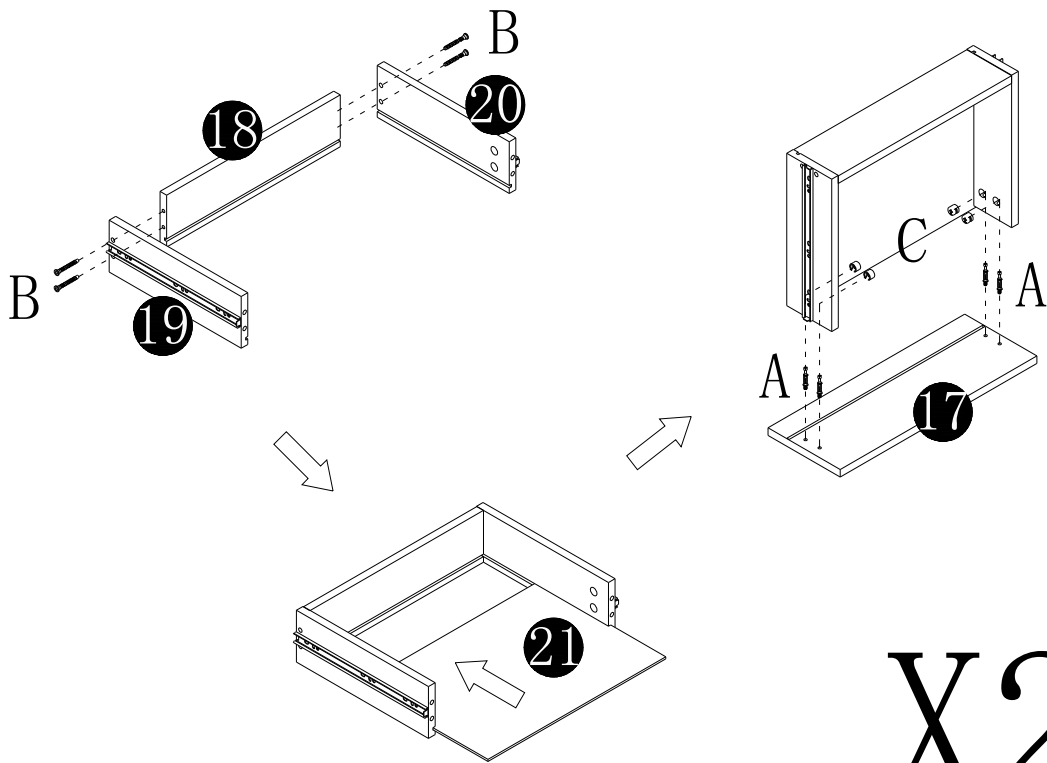
P x8

14



P x16

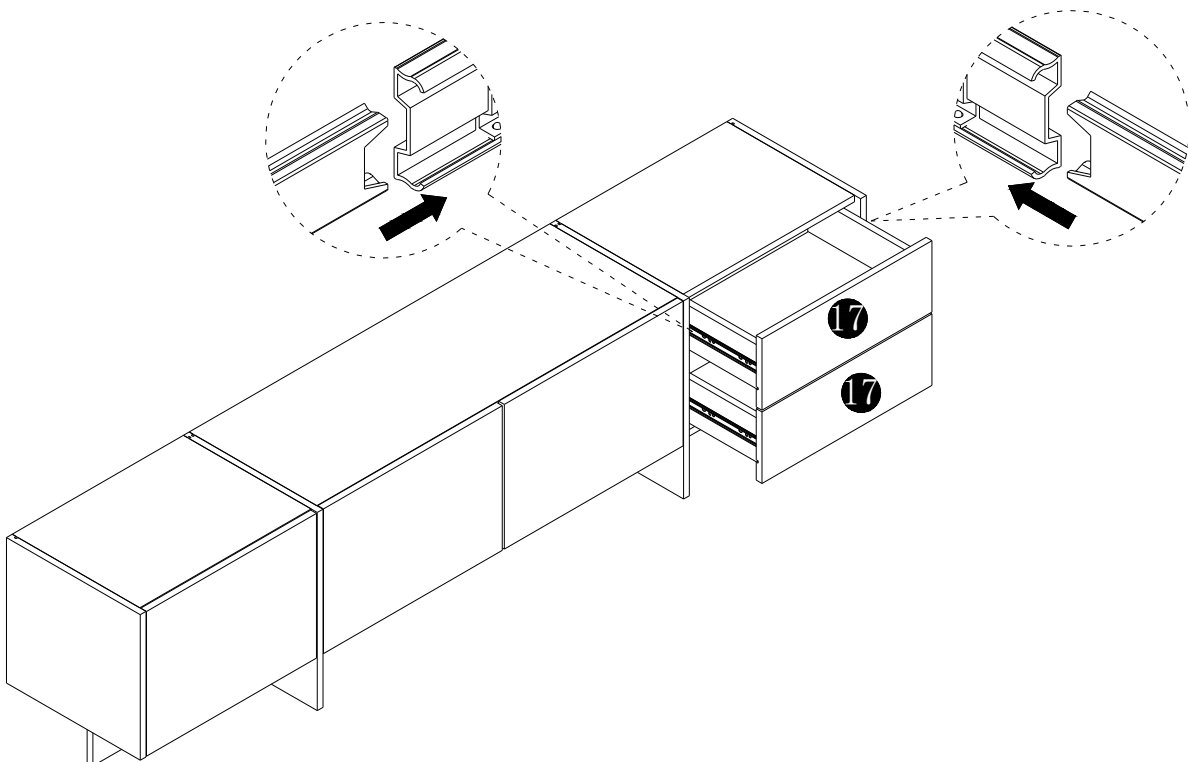
15



- A x8
- B x8
- C x8

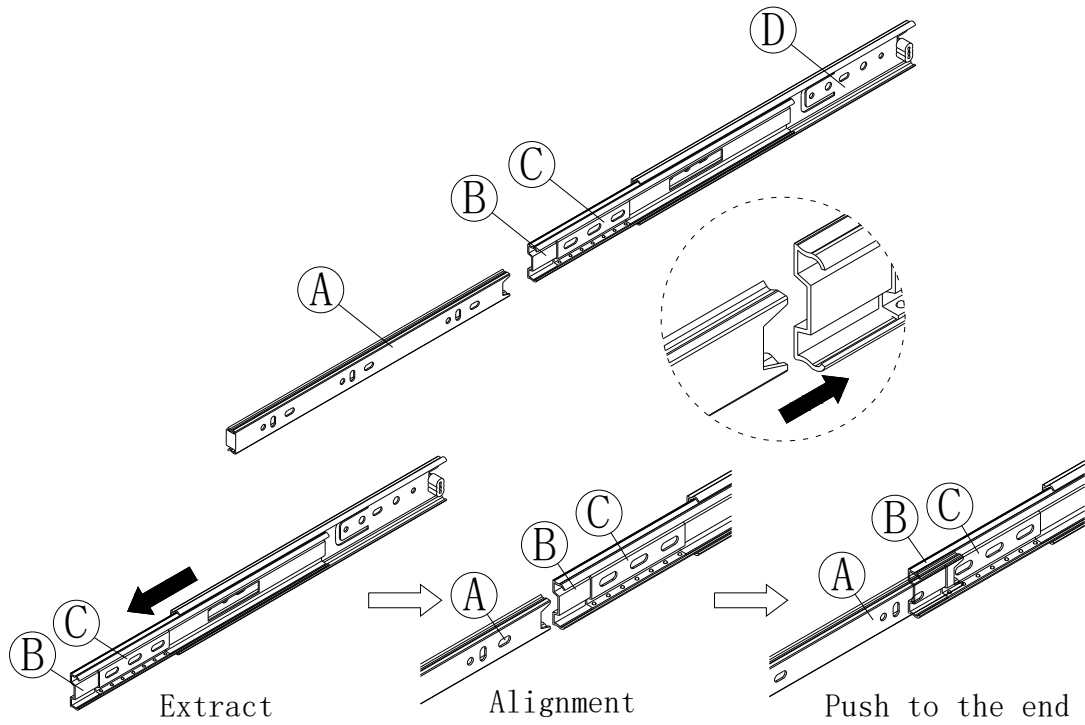
X2

16



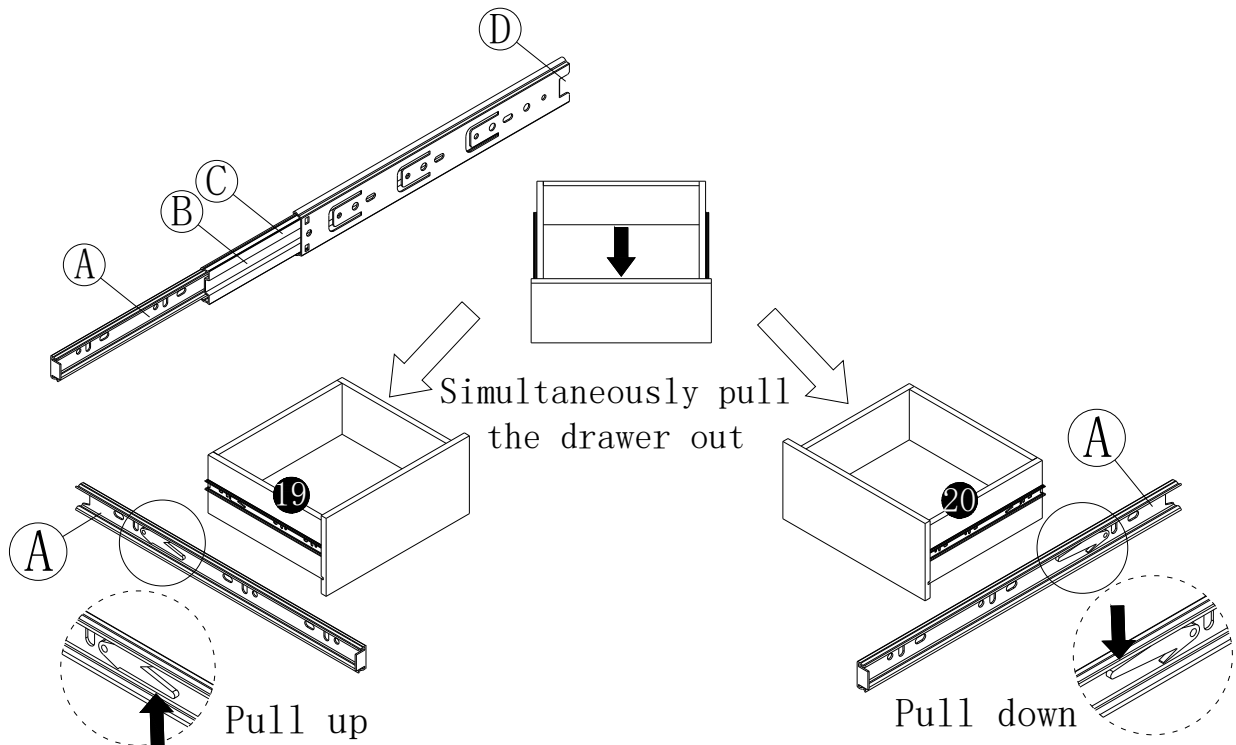
17

## Guide Rail Diagram

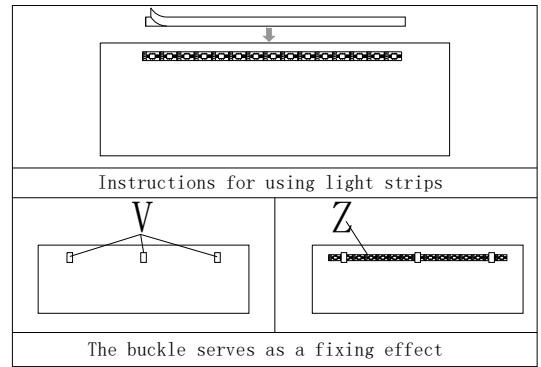
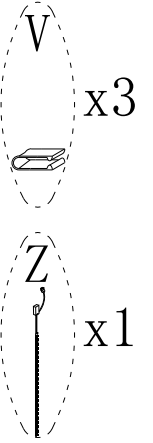
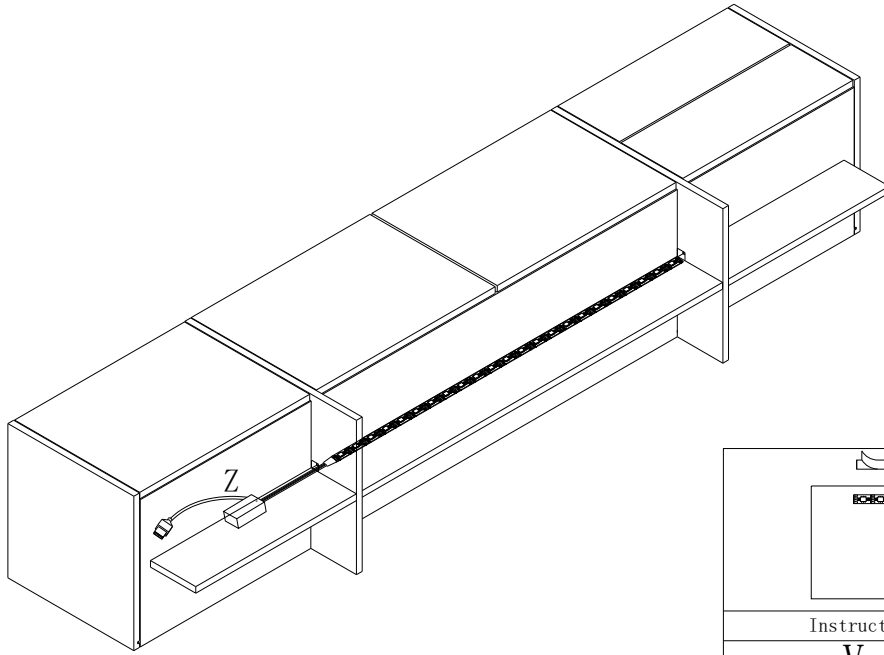


18

## How to remove the slide rail



19



20

