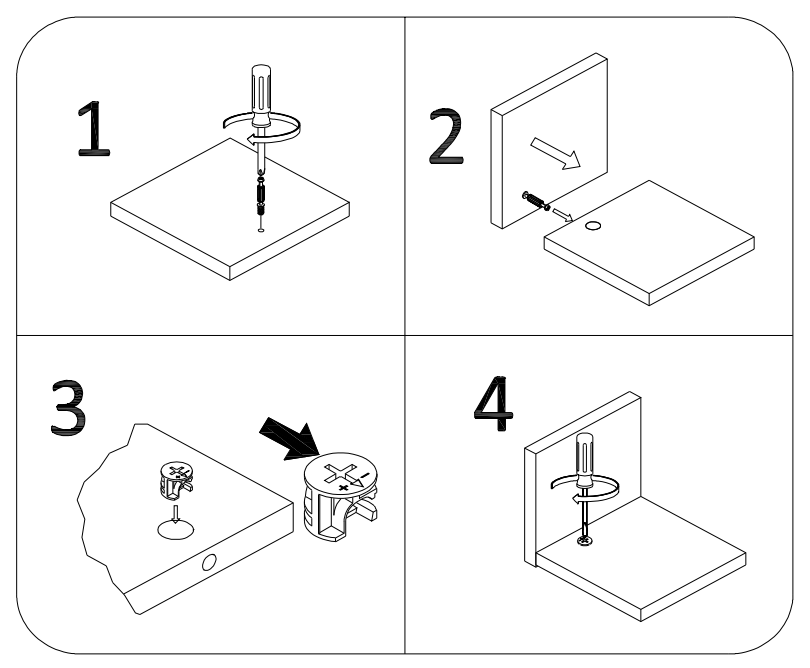
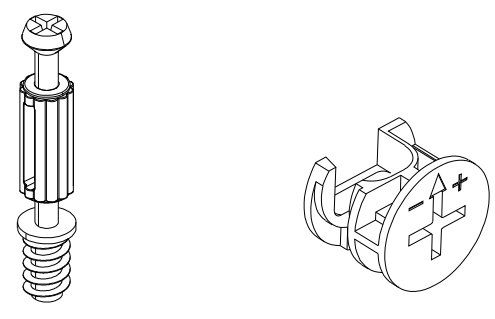


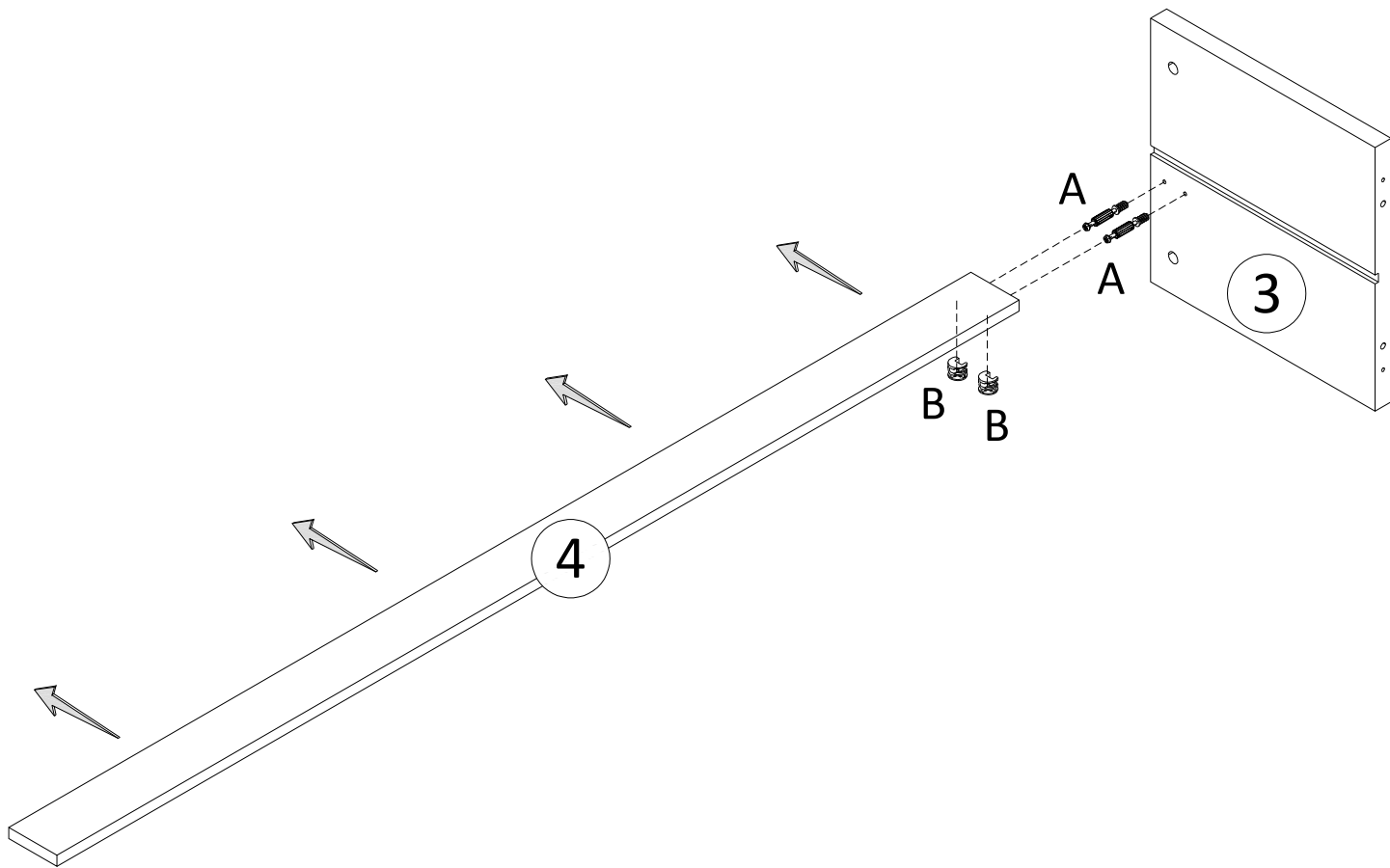
A M5x42 14 PCS	B Ø15x12 14 PCS	C Ø8x40 4 PCS	D M7x50 8 PCS
E Ø30x3 6 PCS	F M6x16 9 PCS	G ZW 4 PCS	H 8 PCS
I M3.5x14 42 PCS	J 40x10 10 PCS	4# 1 PCS	 1 PCS

Cam Lock Fastening System

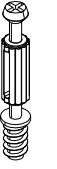
This Cam Lock Fastening System will be used throughout the assembly process



1



A M5x42



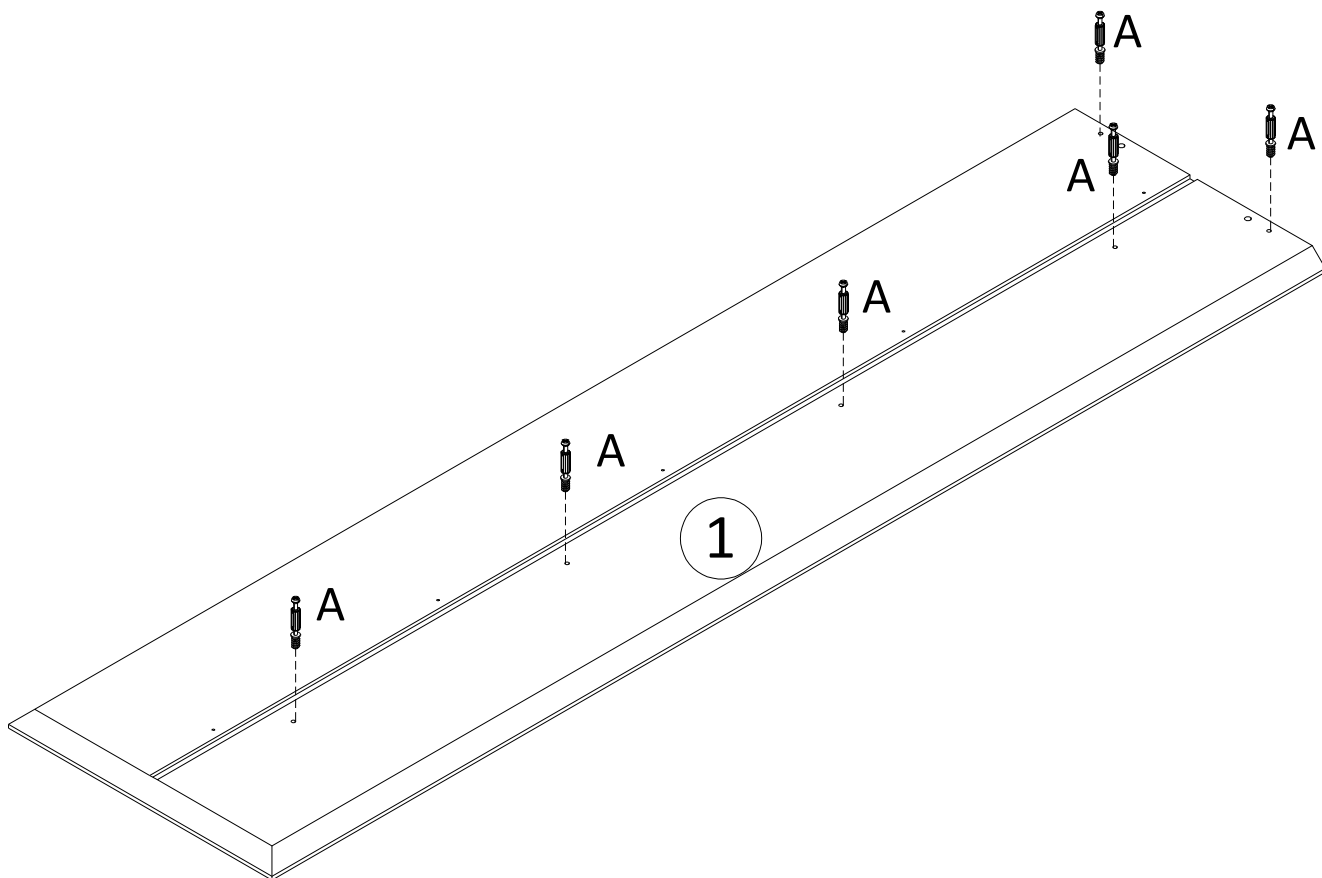
2 PCS

B Ø15x12

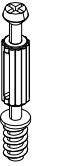


2 PCS

2

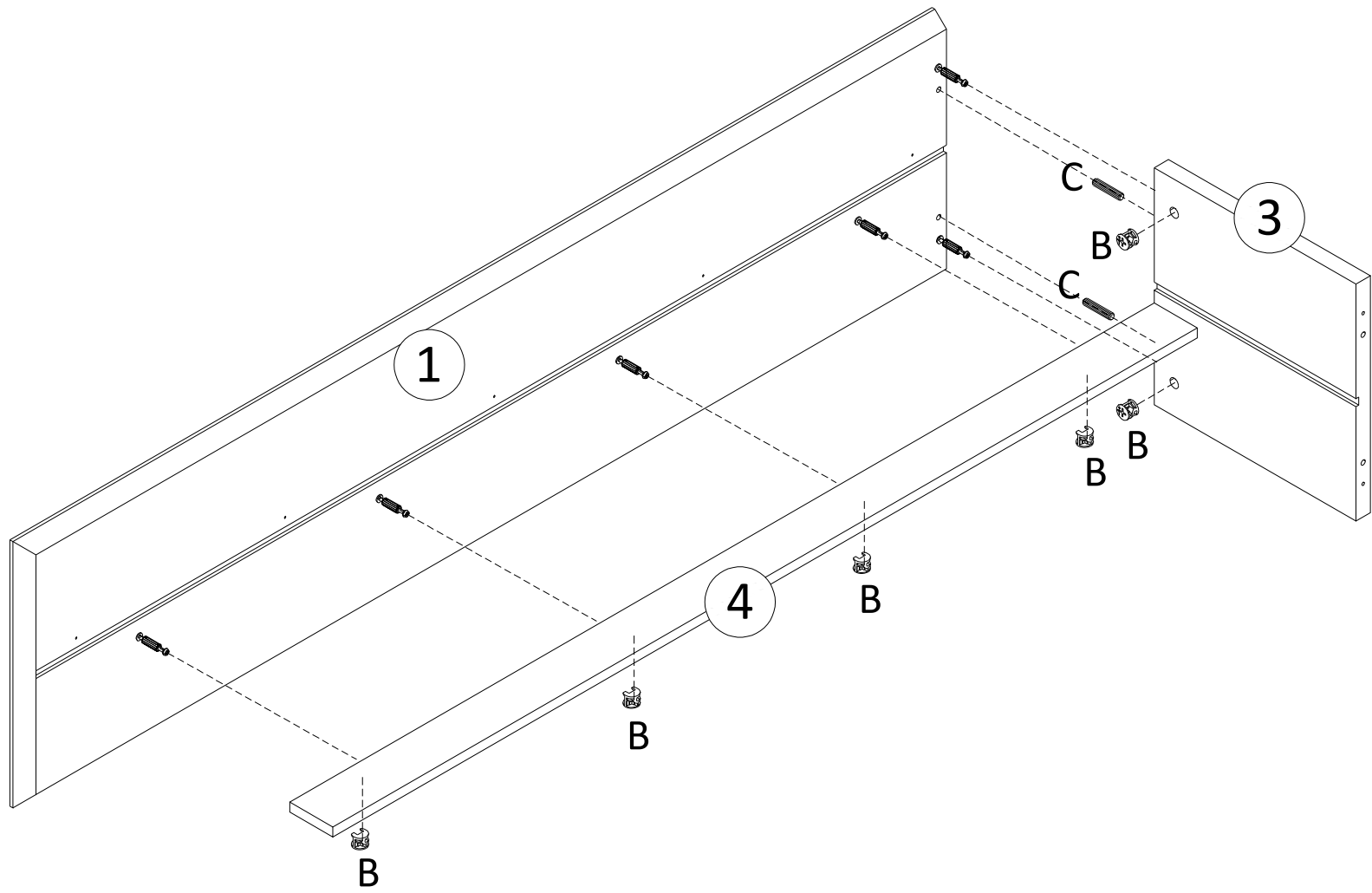


A M5x42



6 PCS

3

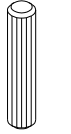


B \varnothing 15x12



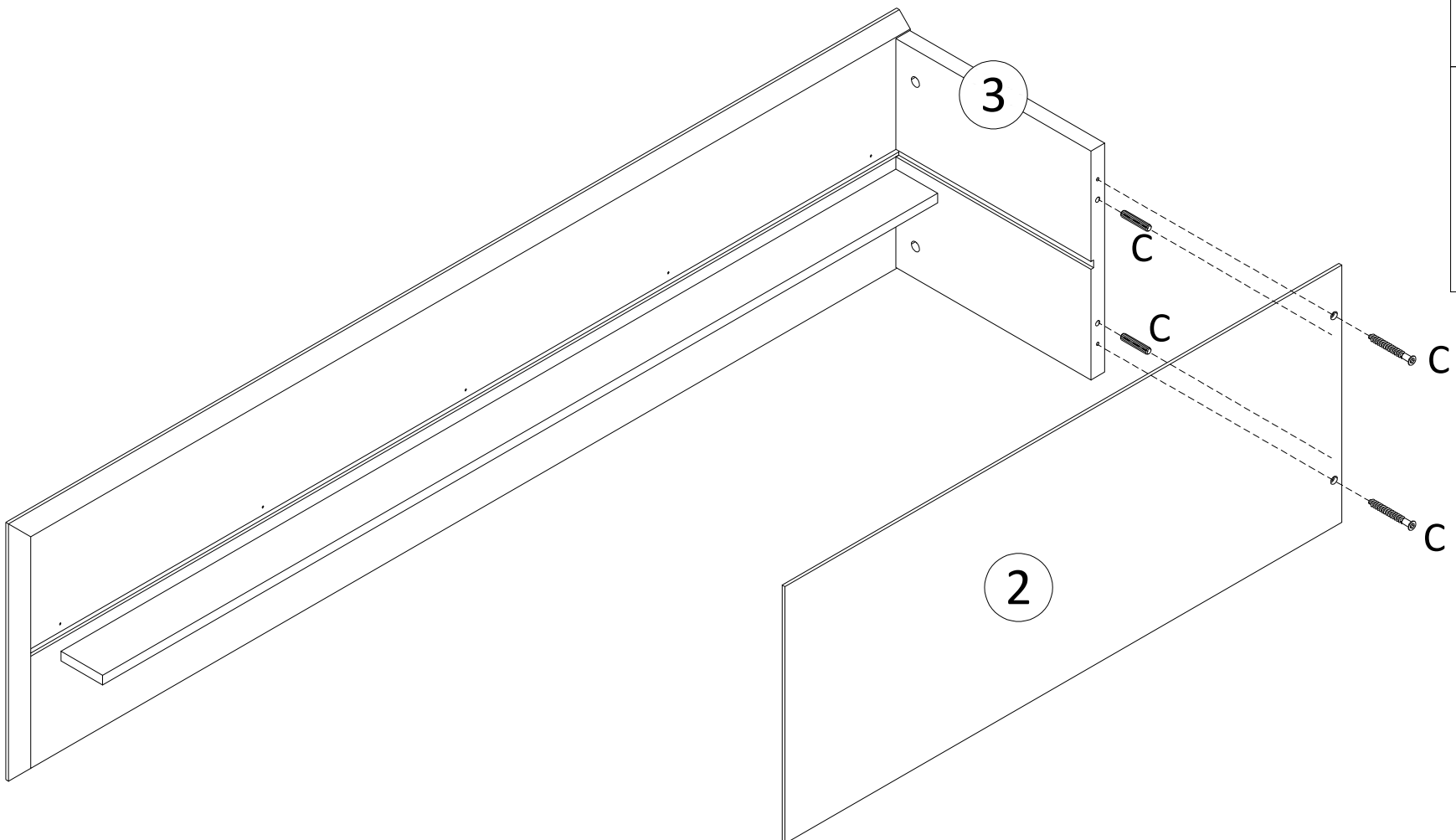
6 PCS

C \varnothing 8x40

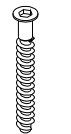


2 PCS

4

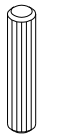


D M7x50



2 PCS

C \varnothing 8x40



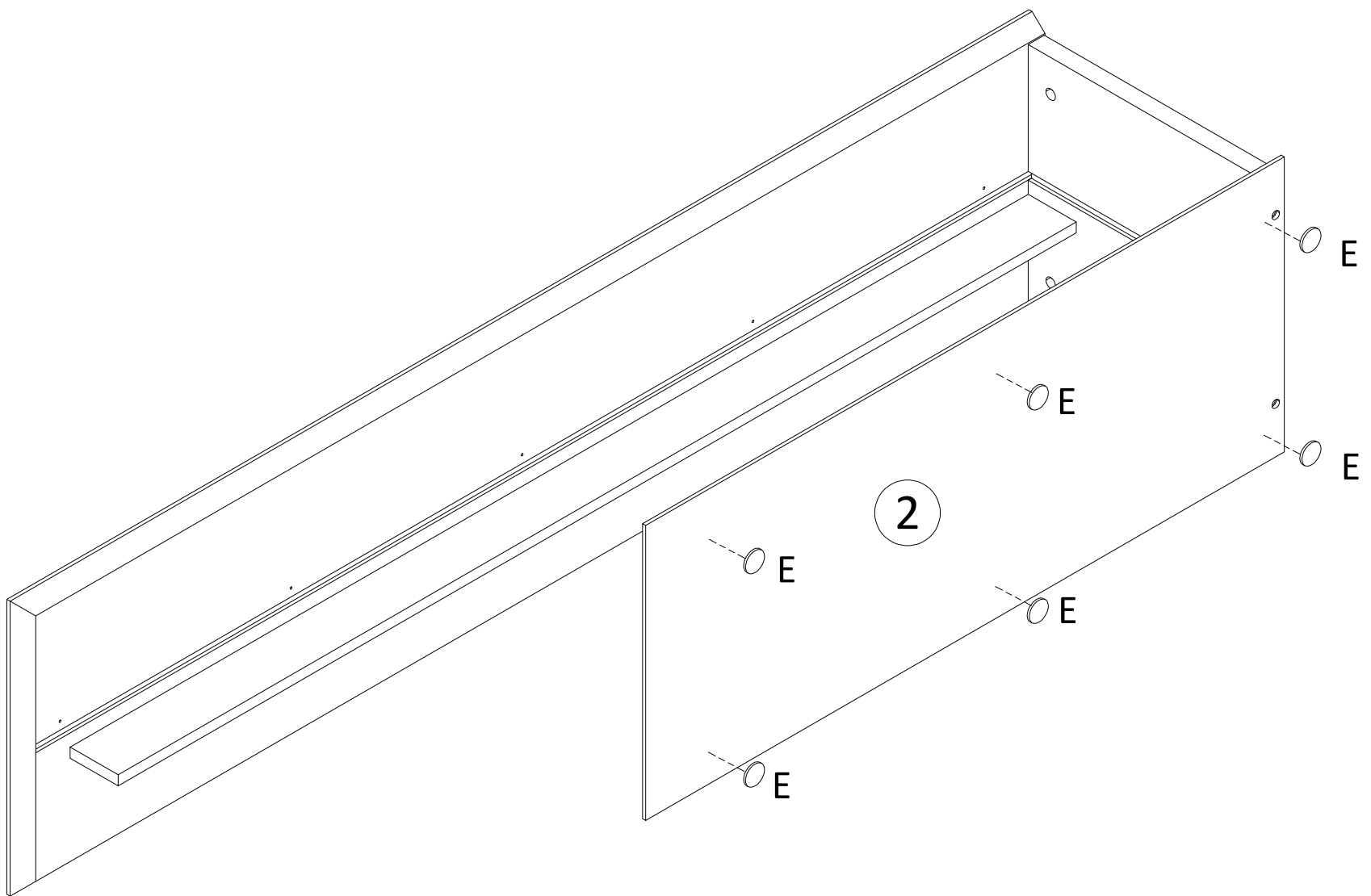
2 PCS

5

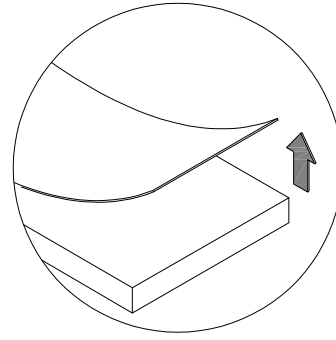
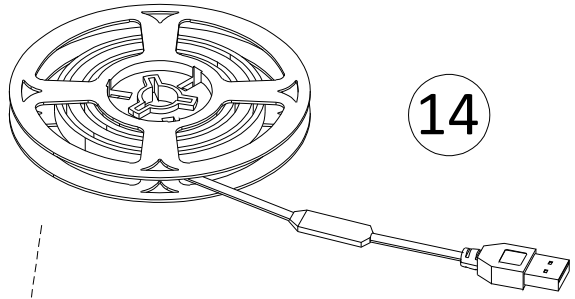
E Ø30x3



6 PCS



6

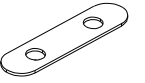


I M3.5x14

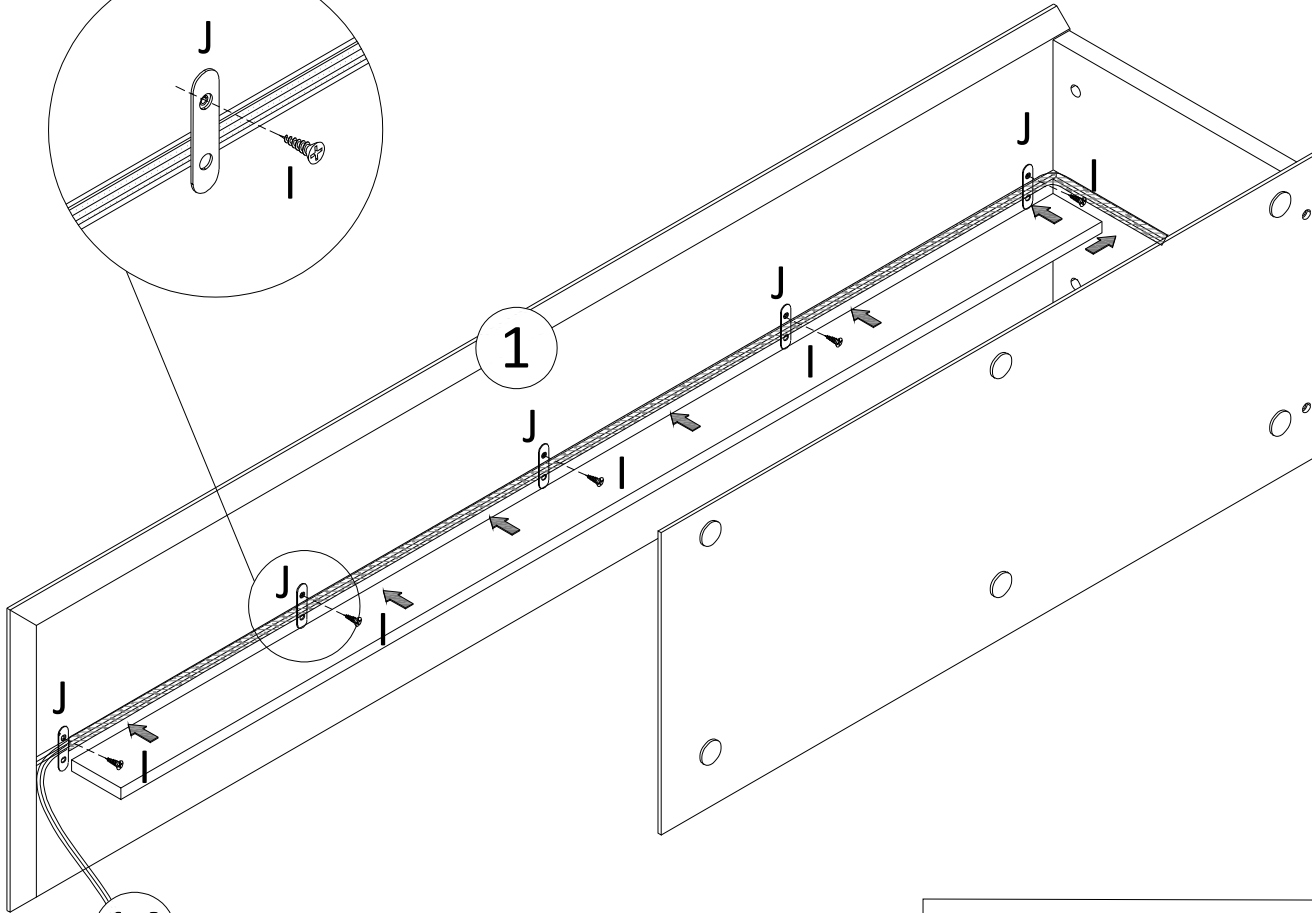
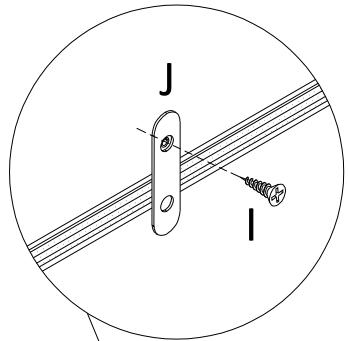


10 PCS

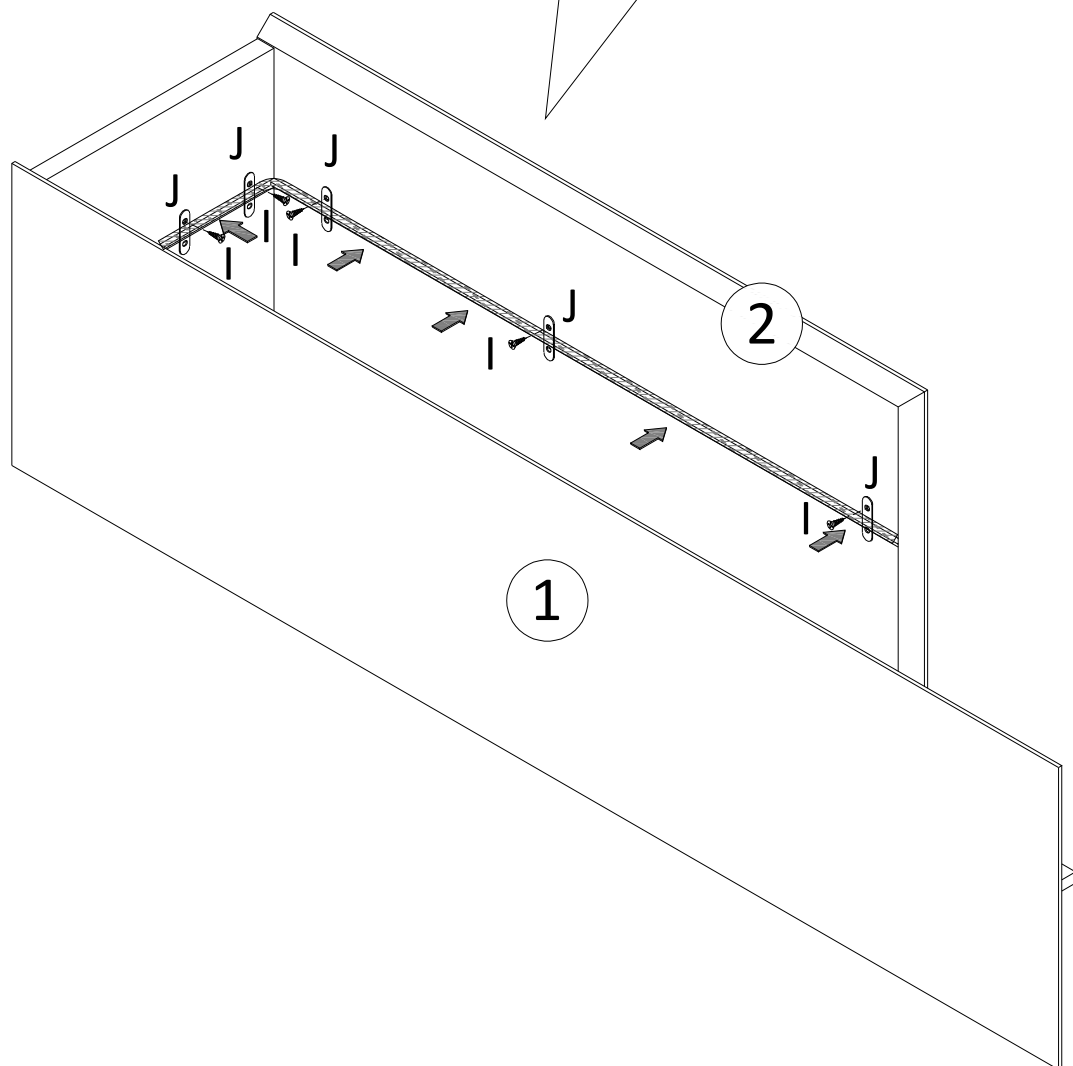
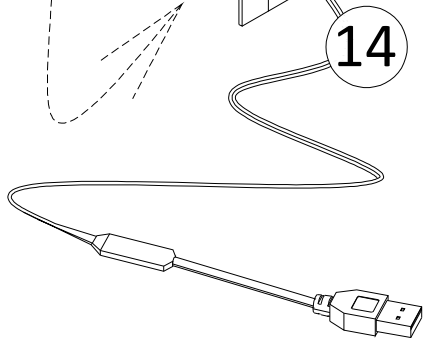
J 40x10



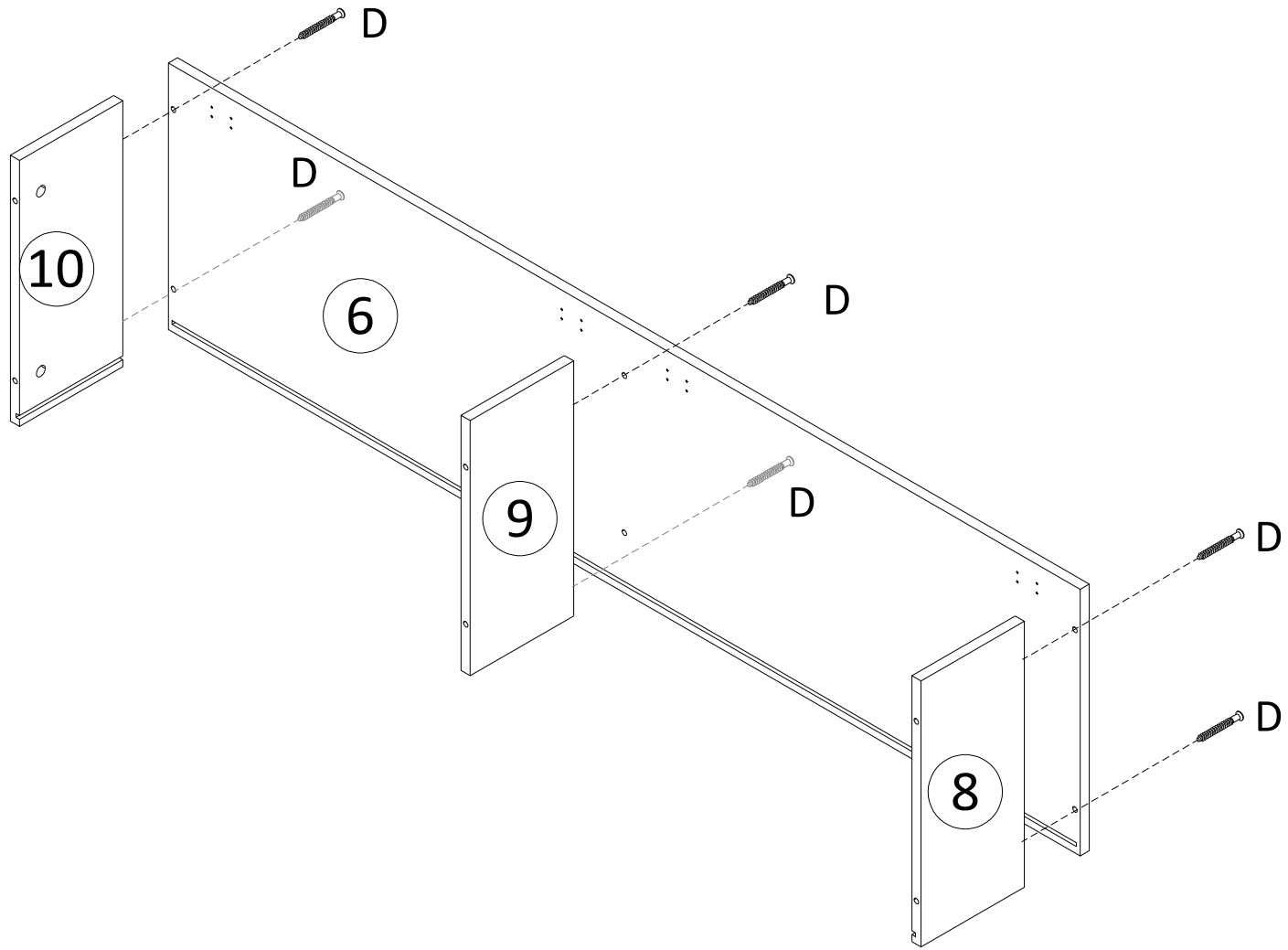
10 PCS



I and J installed as needed.



7

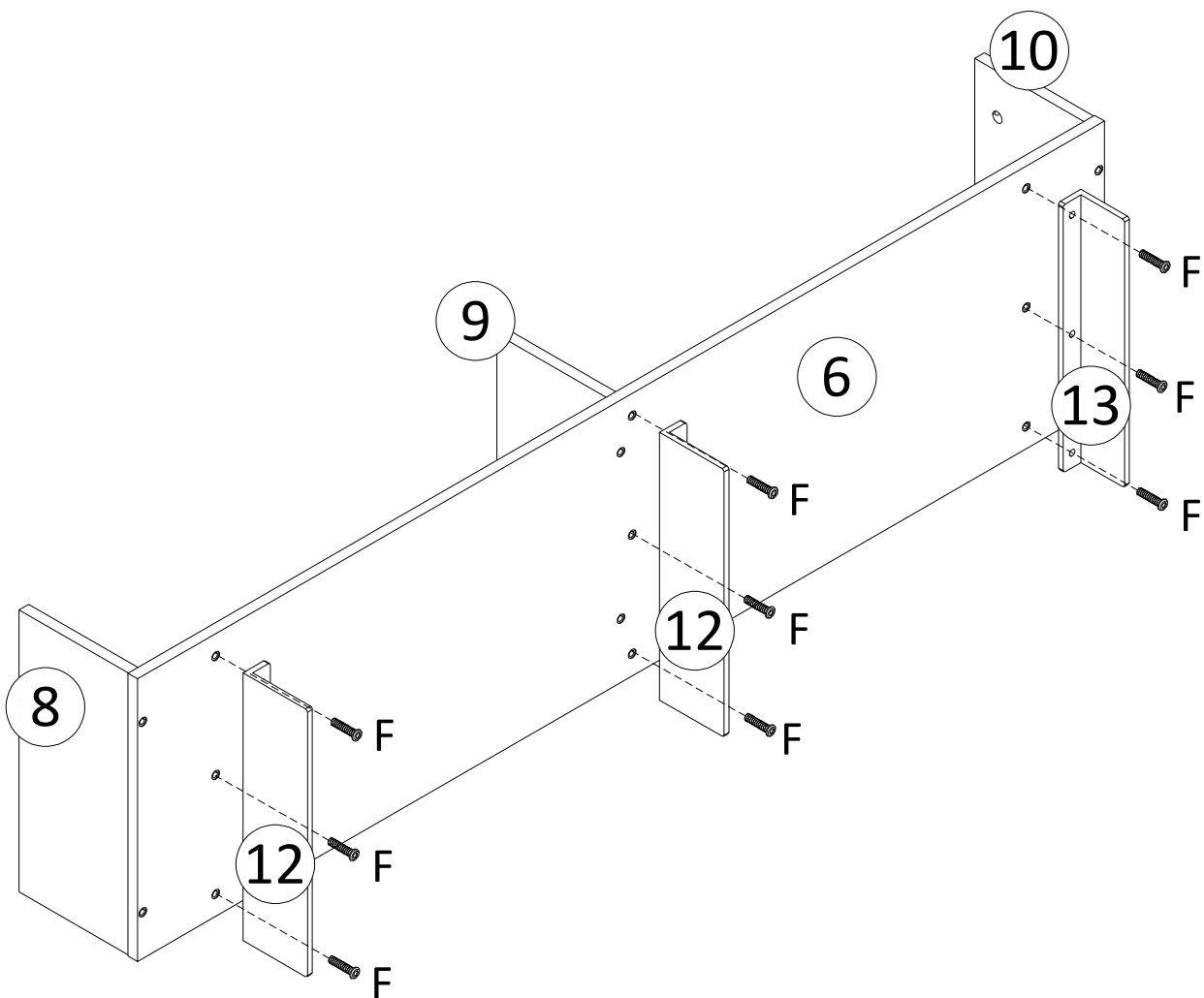


D M7x50



6 PCS

8

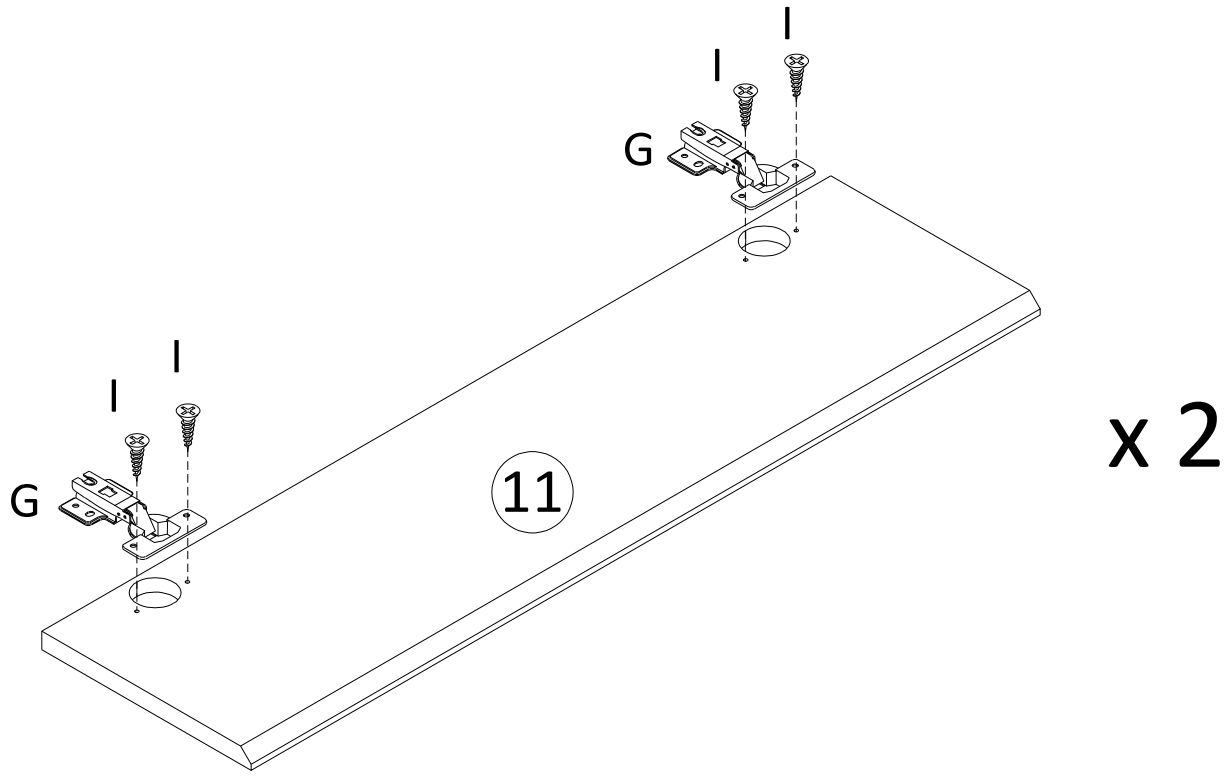


F M6x16



9 PCS

9

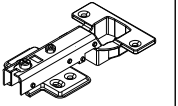


I M3.5x14

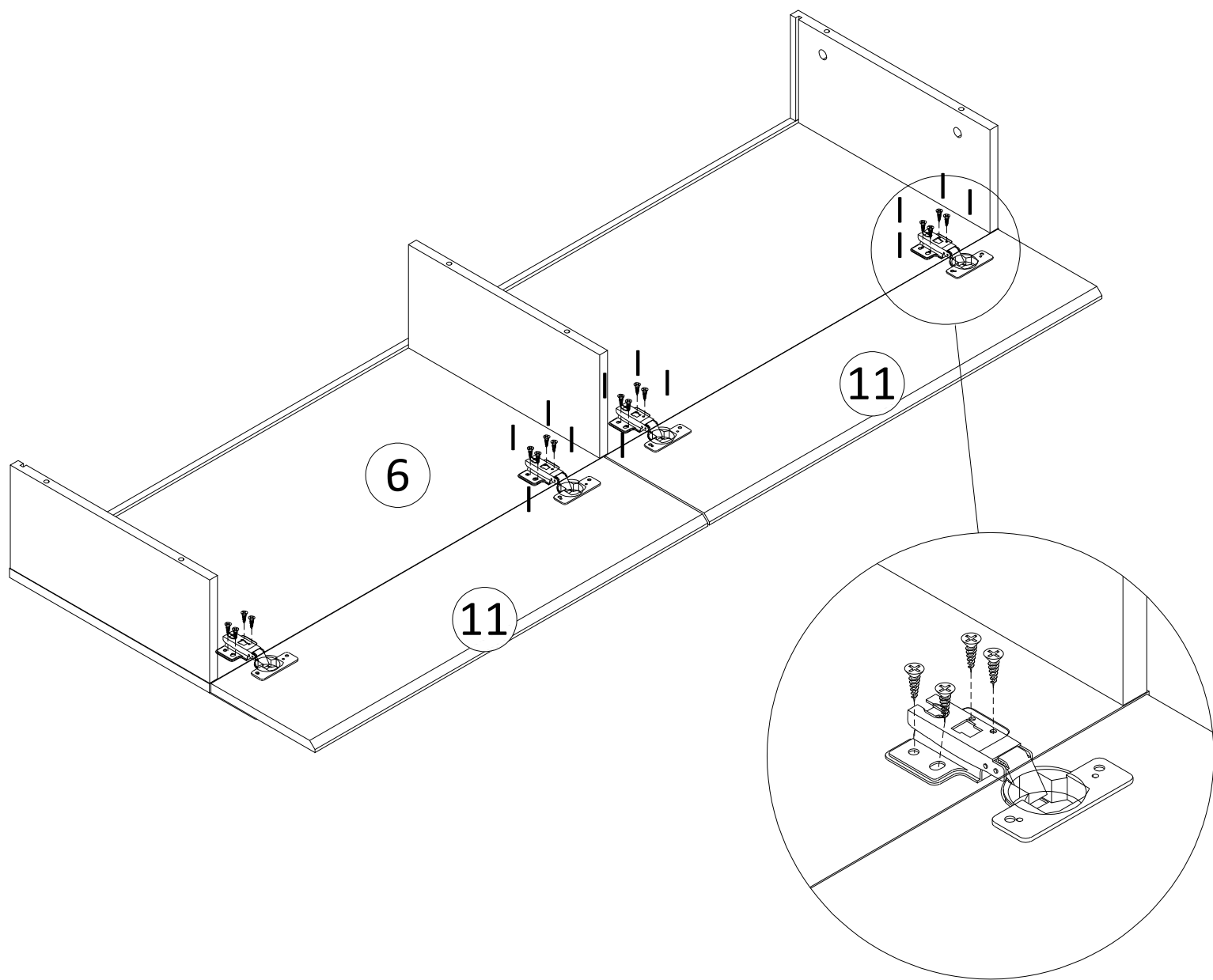


24 PCS

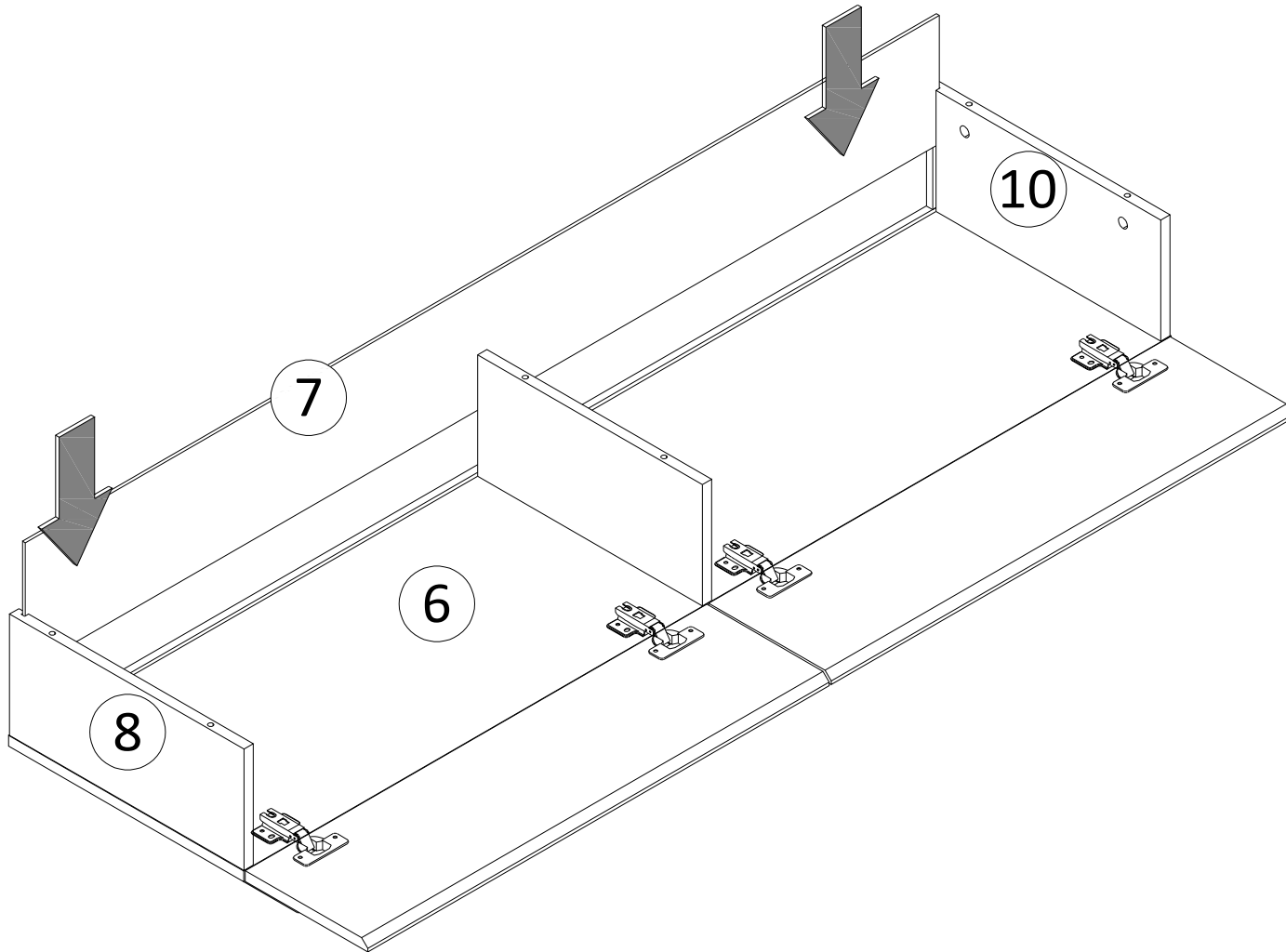
G ZW



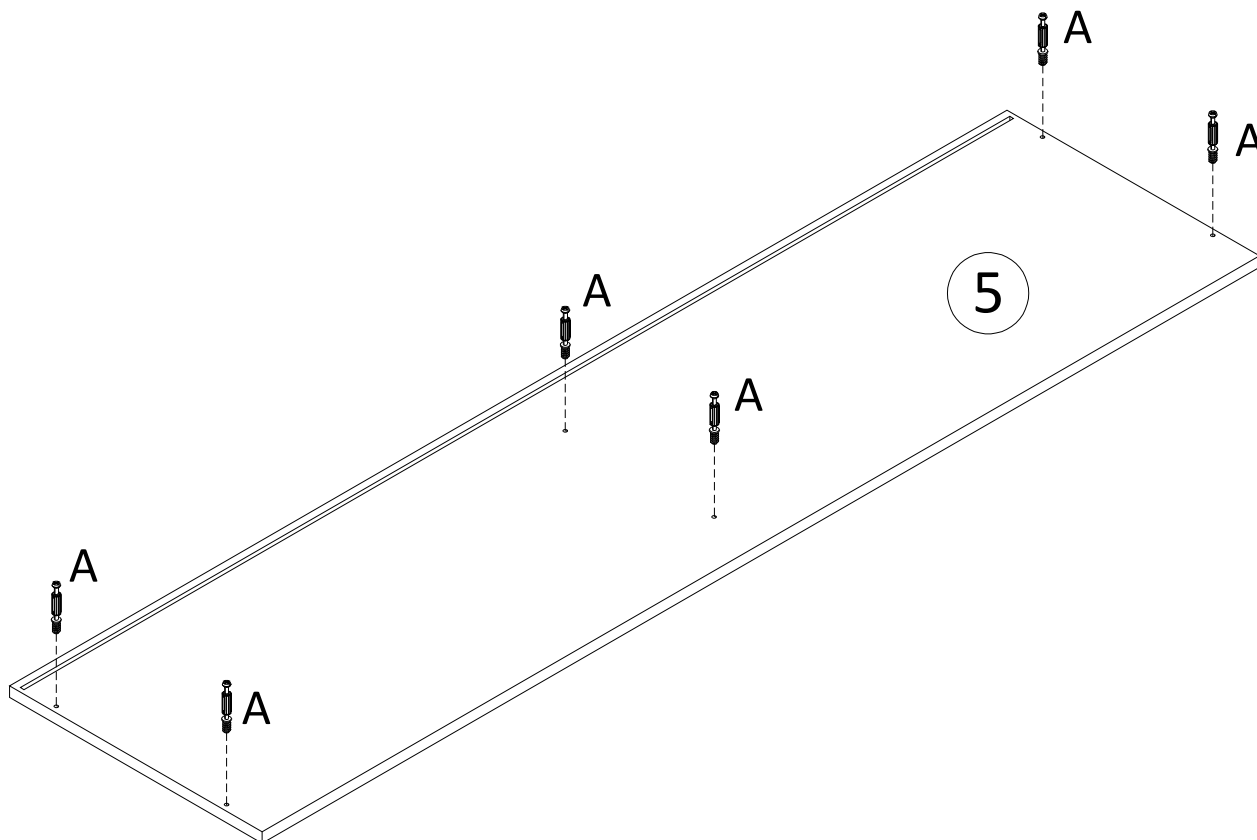
4 PCS



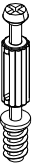
10



11

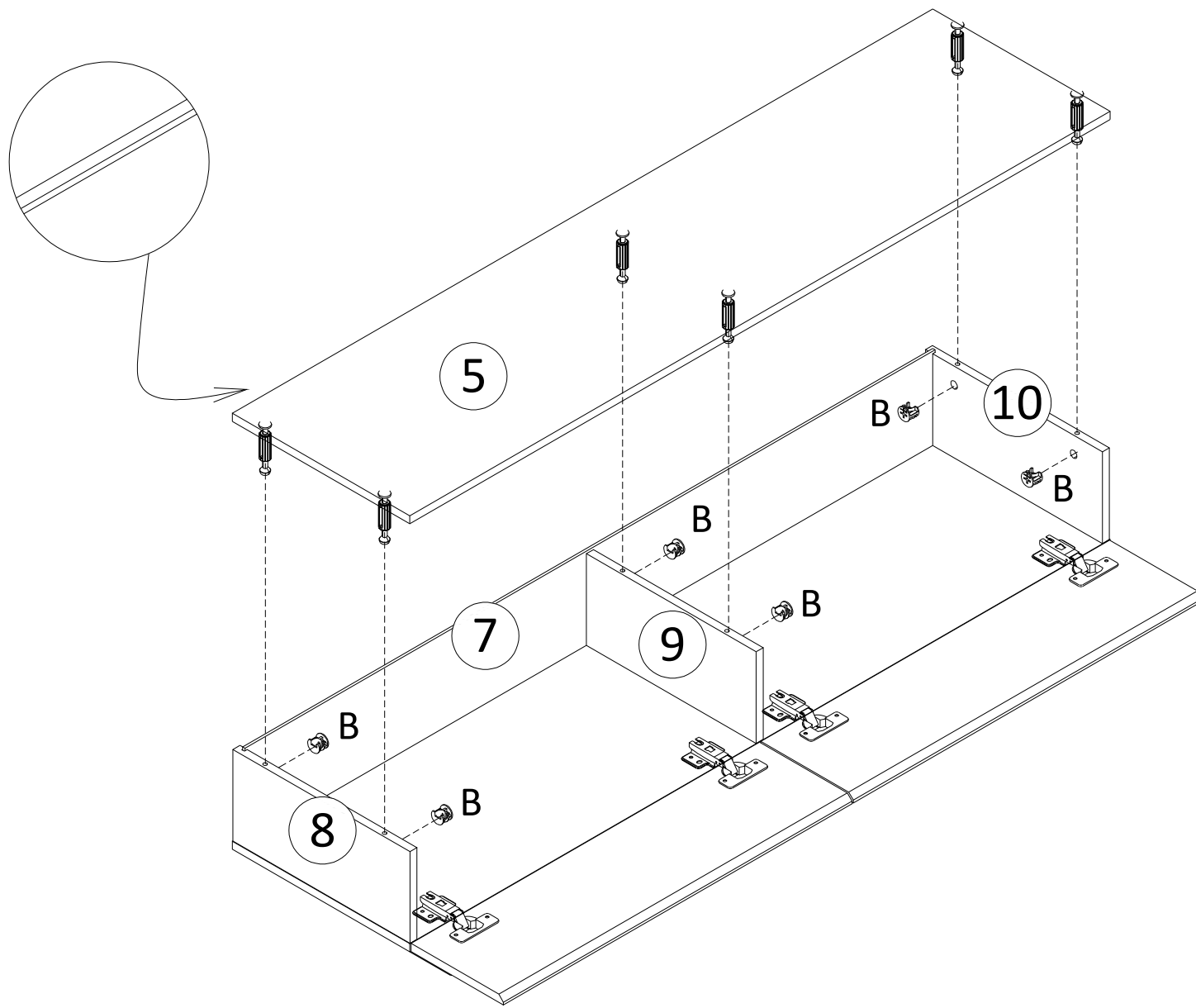


A M5x42



6 PCS

12

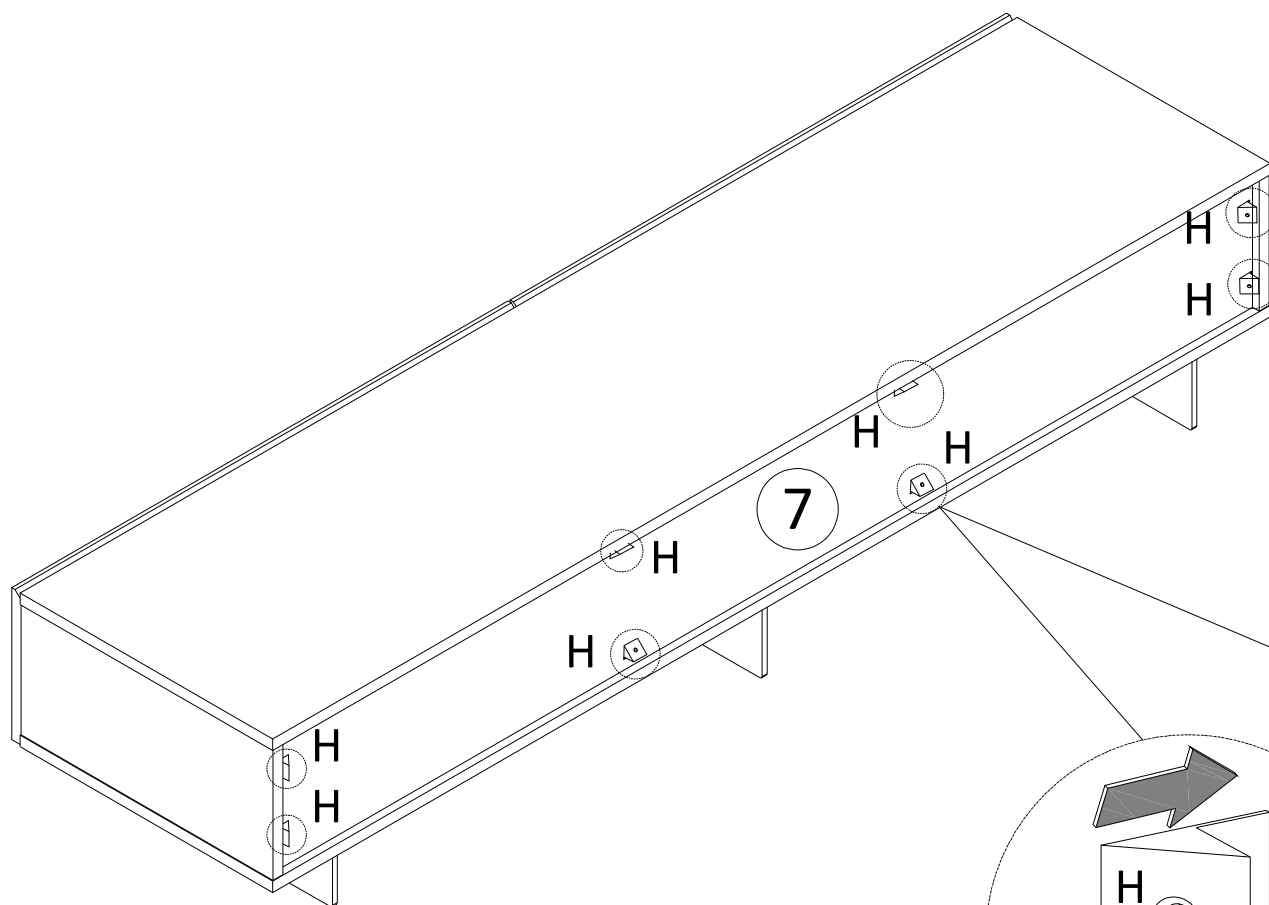


B Ø15x12



6 PCS

13



H



8 PCS

I M3.5x14



8 PCS

14

