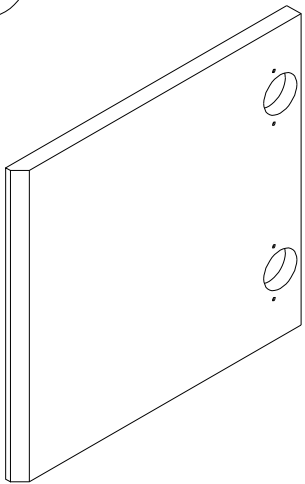
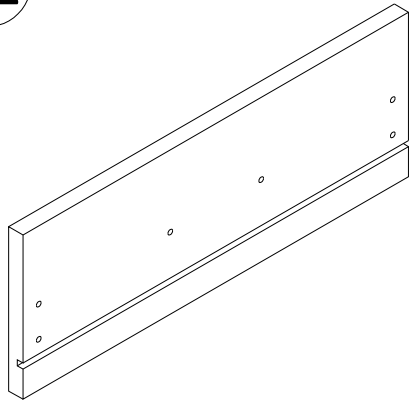


20

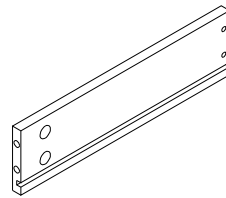


x 2

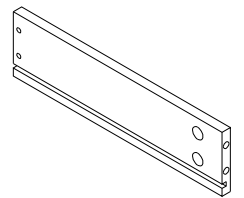
21



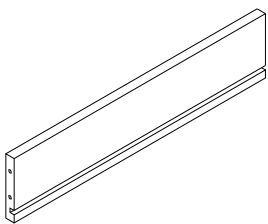
22



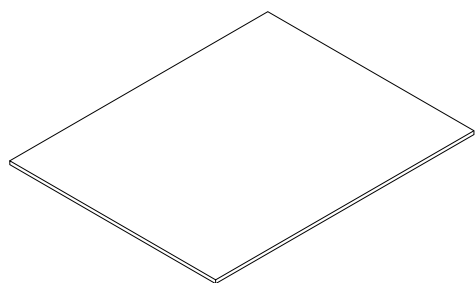
23



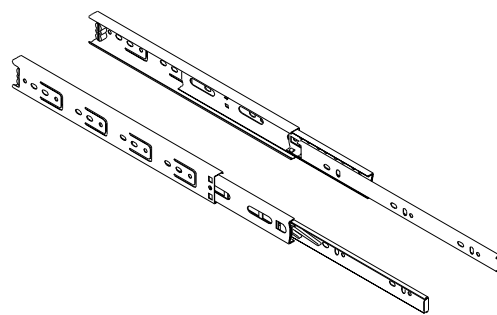
24



25

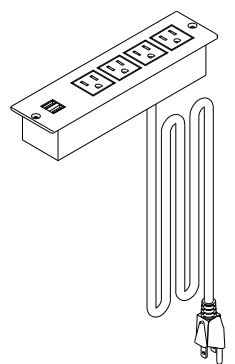


26



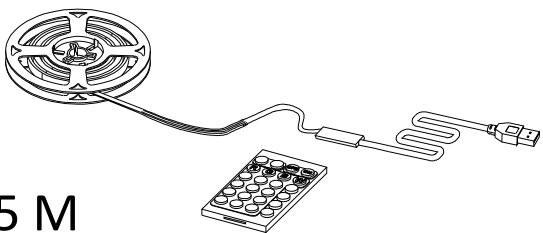
3508-12"

27

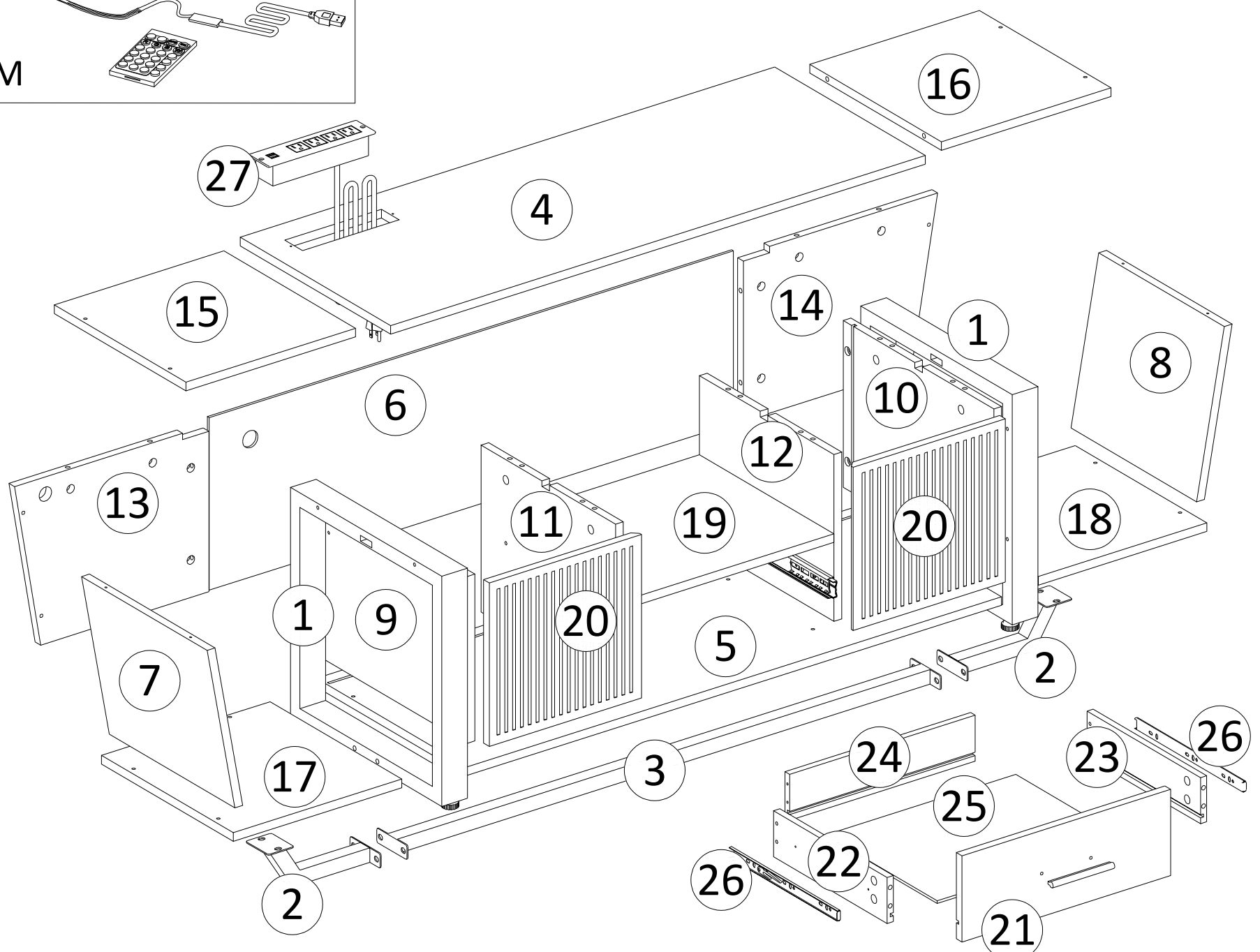



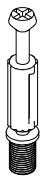


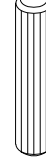



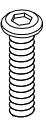


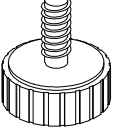
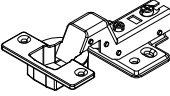
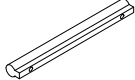

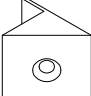
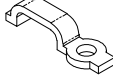
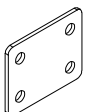
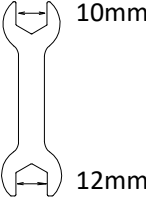
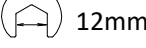
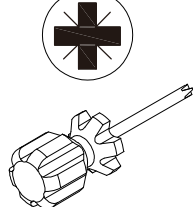


2 M

28



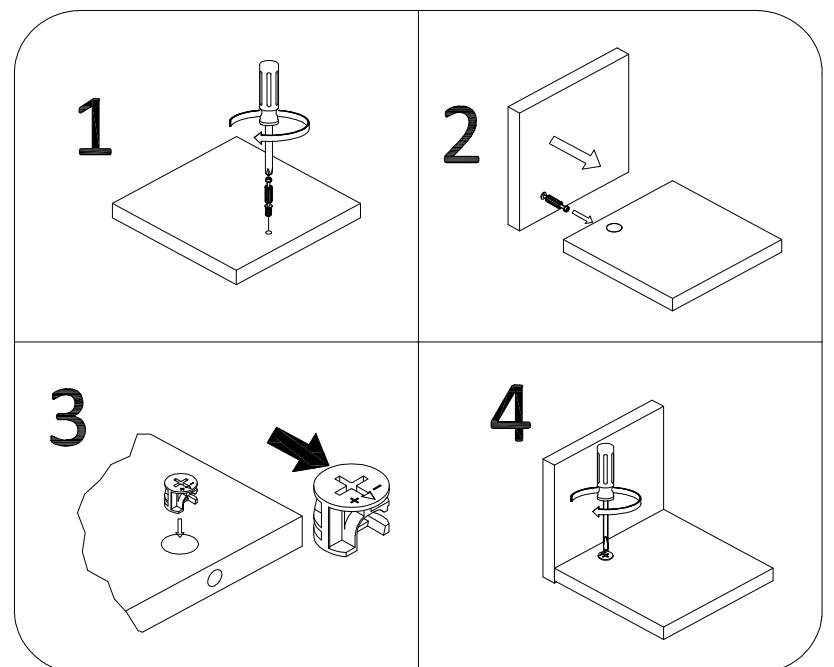
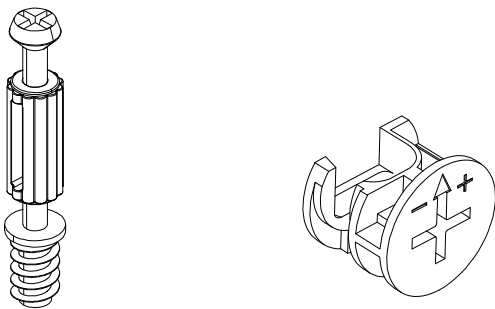
1.75 M



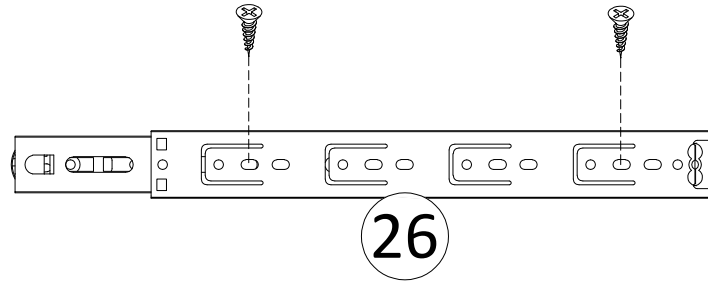
A M5x42  20 PCS	B M6x42  4 PCS	C Ø15x10  24 PCS	D M5x40  32 PCS	E Ø8x40  8 PCS	F M3.5x14  54 PCS	G M3.5x12  12 PCS
H M6x12  4 PCS	I M6x25  8 PCS	J M6x60  4 PCS	K M6xL12  4 PCS	L M6XØ28  4 PCS	M DW  4 PCS	N 220-96  1 PCS
O M4x18  2 PCS	P  8 PCS	Q  8 PCS	S  4 PCS	 10mm  12mm 1 PCS	 1 PCS	4#   1 PCS

Cam Lock Fastening System

This Cam Lock Fastening System will be used throughout the assembly process



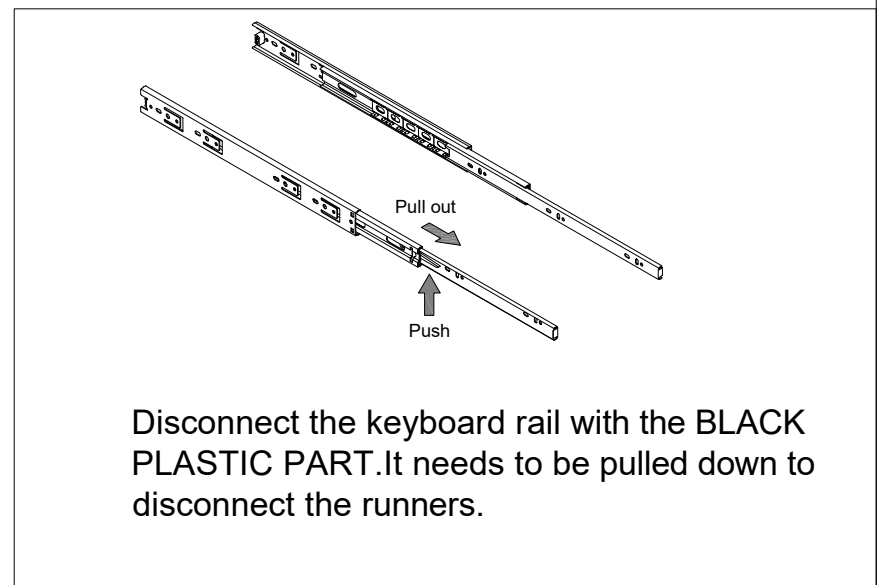
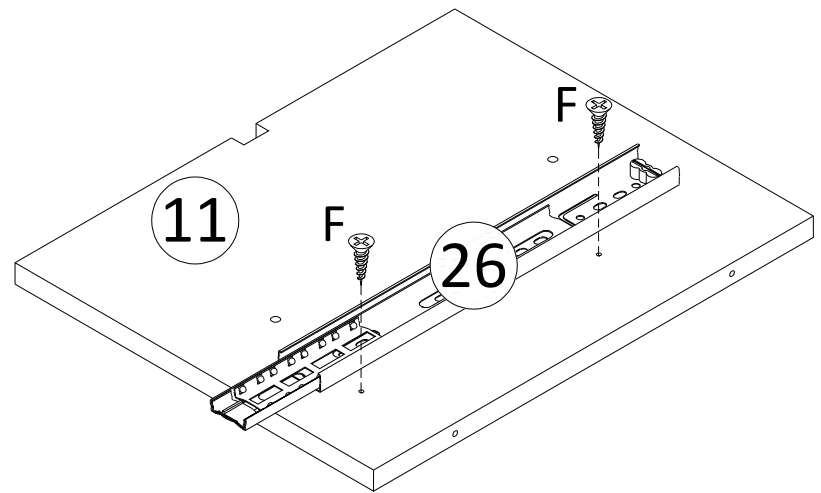
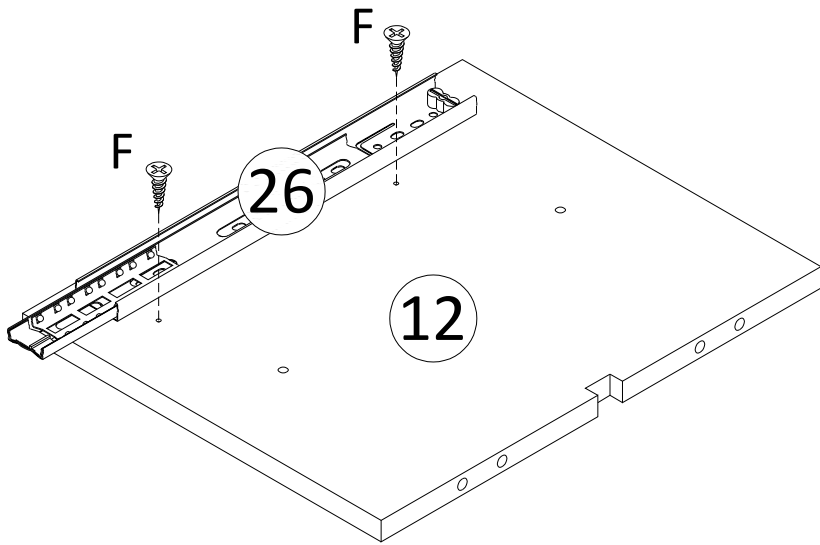
1



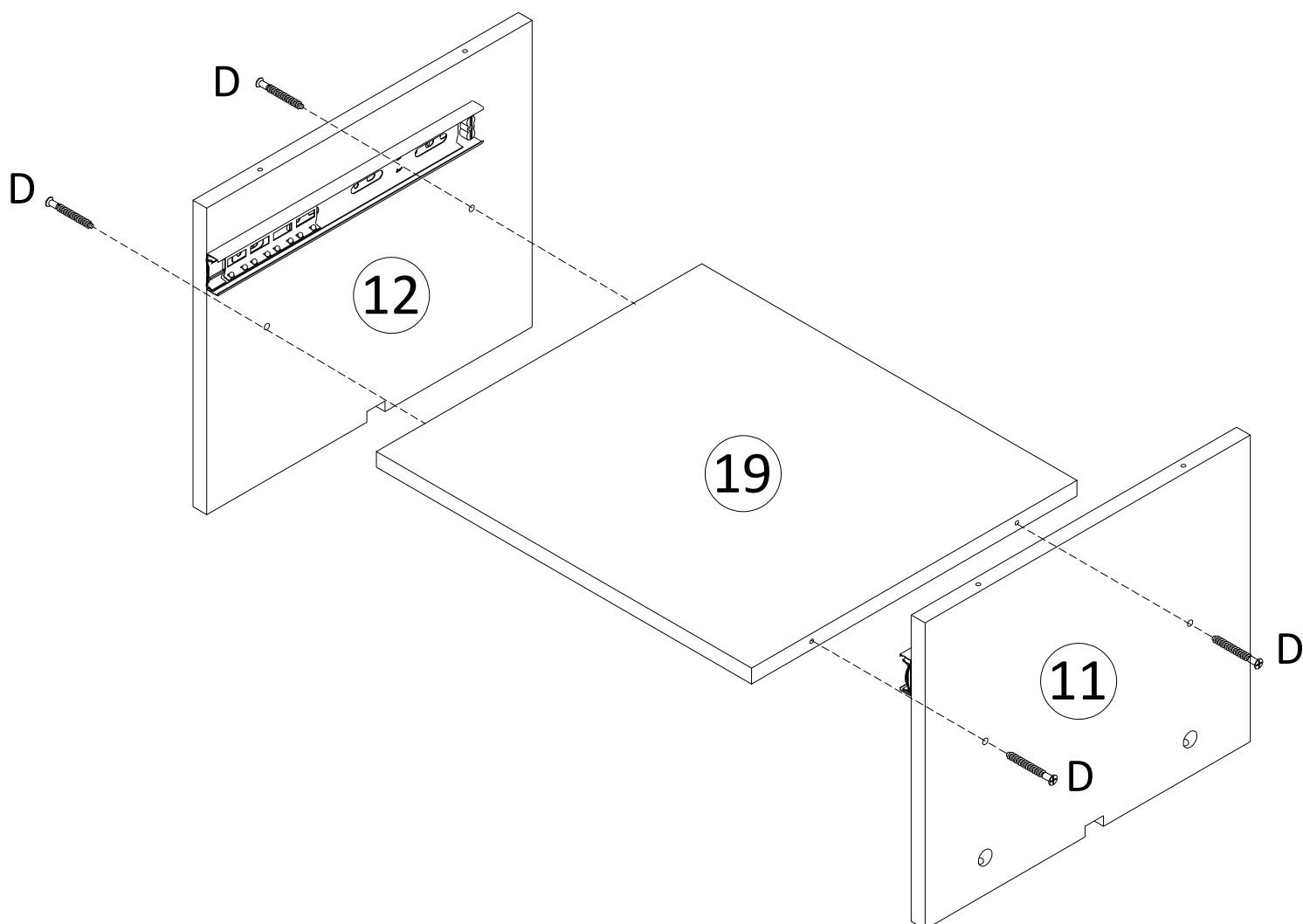
F M3.5x14



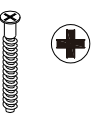
4 PCS



2

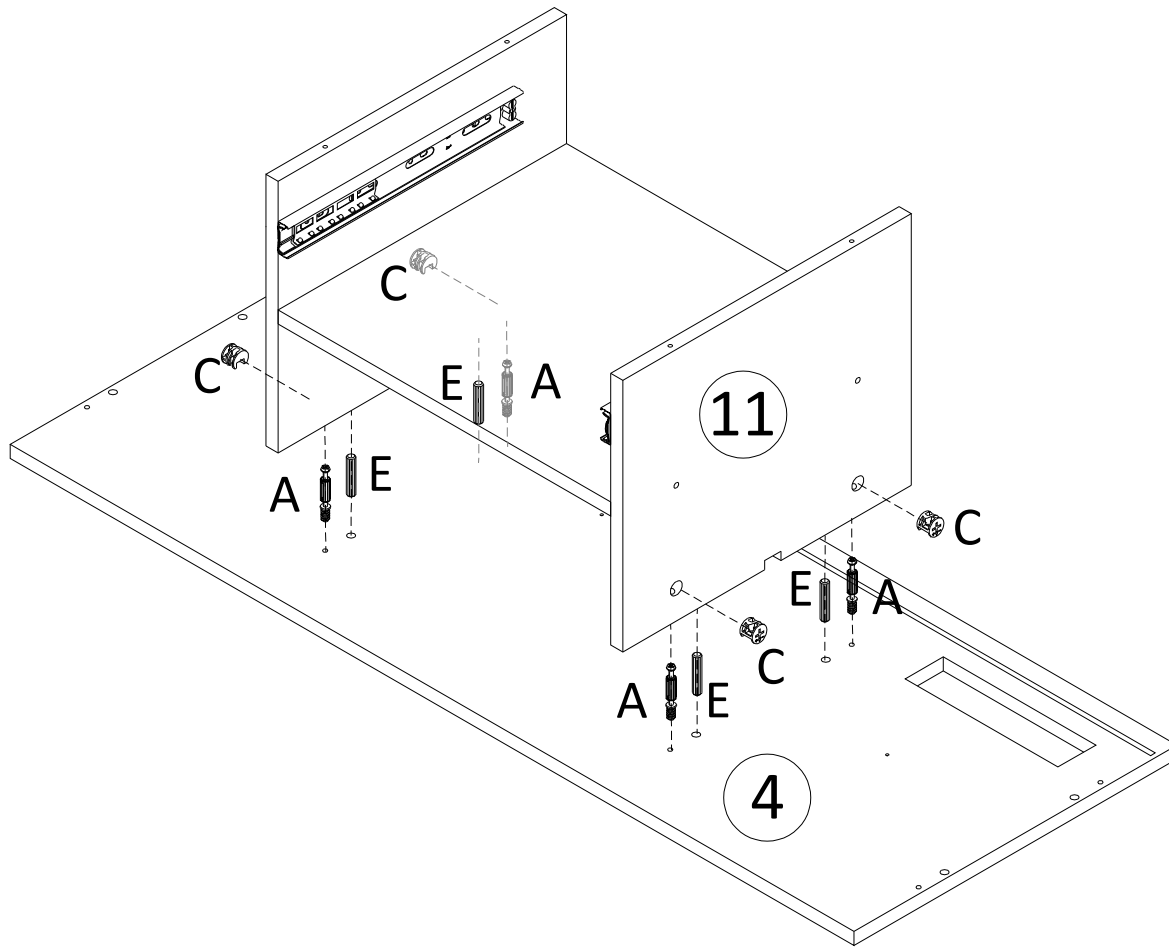


D M5x40

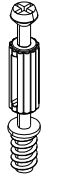


4 PCS

3



A M5x42



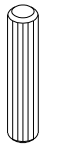
4 PCS

C Ø15x10



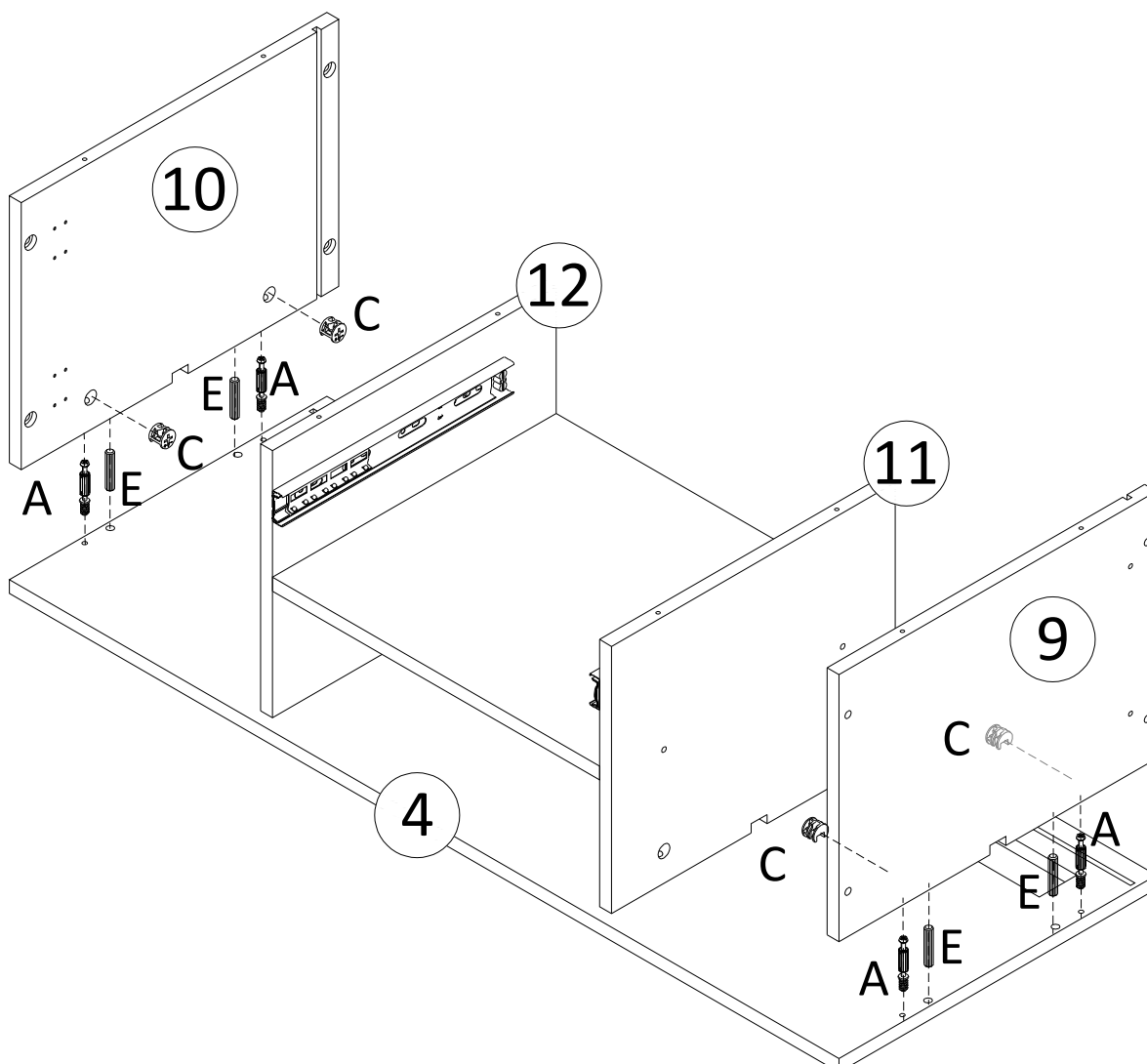
4 PCS

E Ø8x40

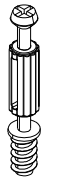


4 PCS

4



A M5x42



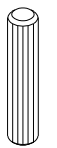
4 PCS

C Ø15x10



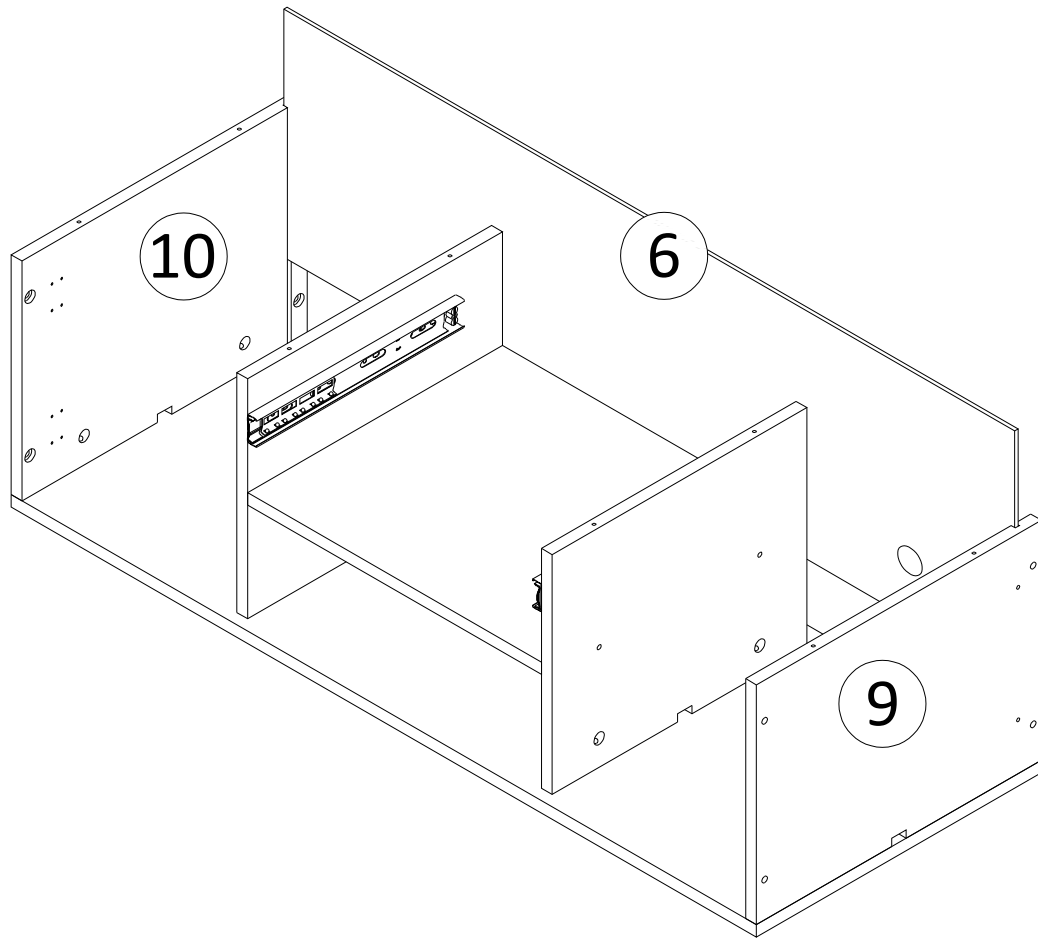
4 PCS

E Ø8x40

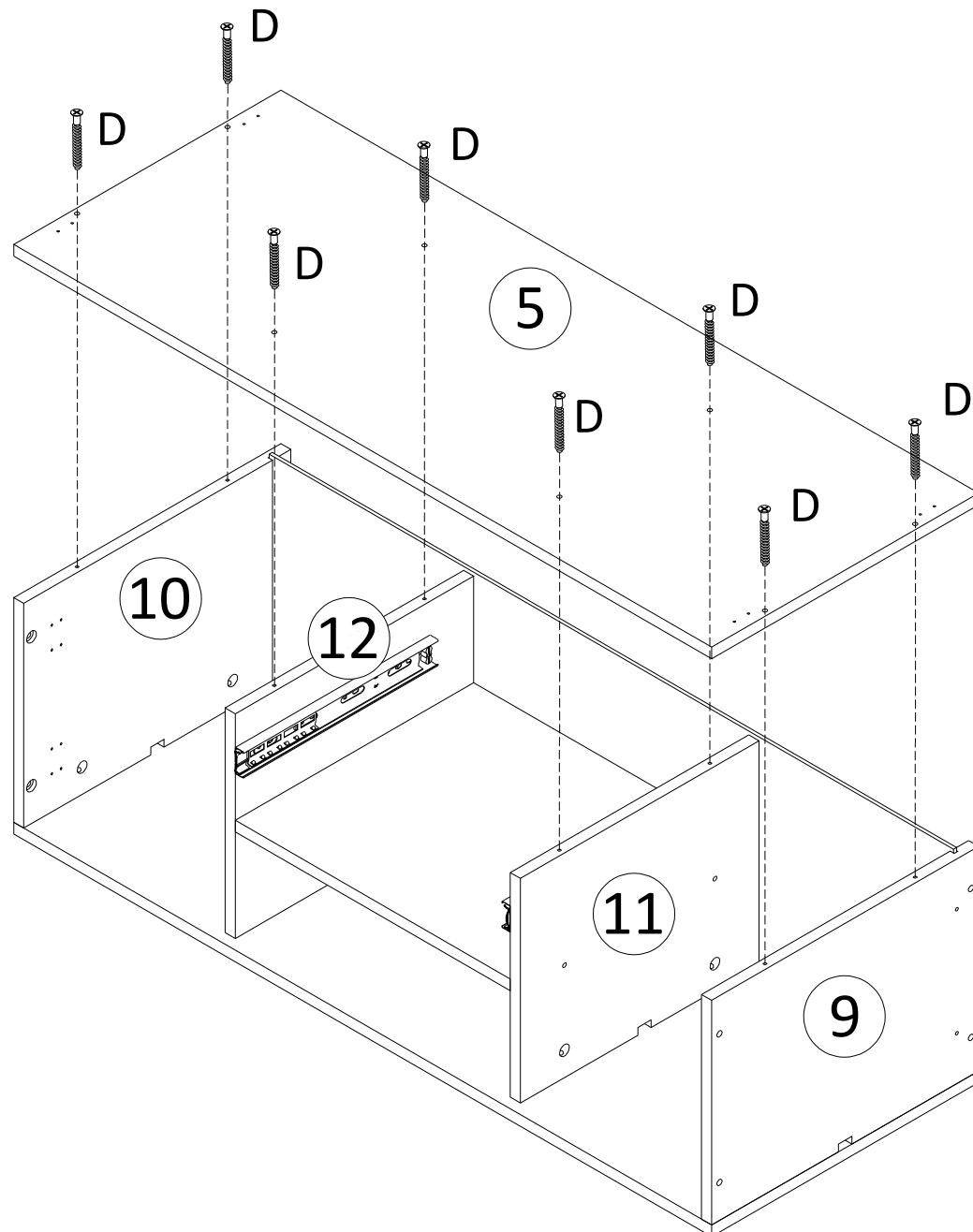


4 PCS

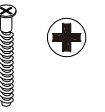
5



6



D M5x40



8 PCS

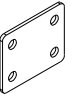
7

F M3.5x14

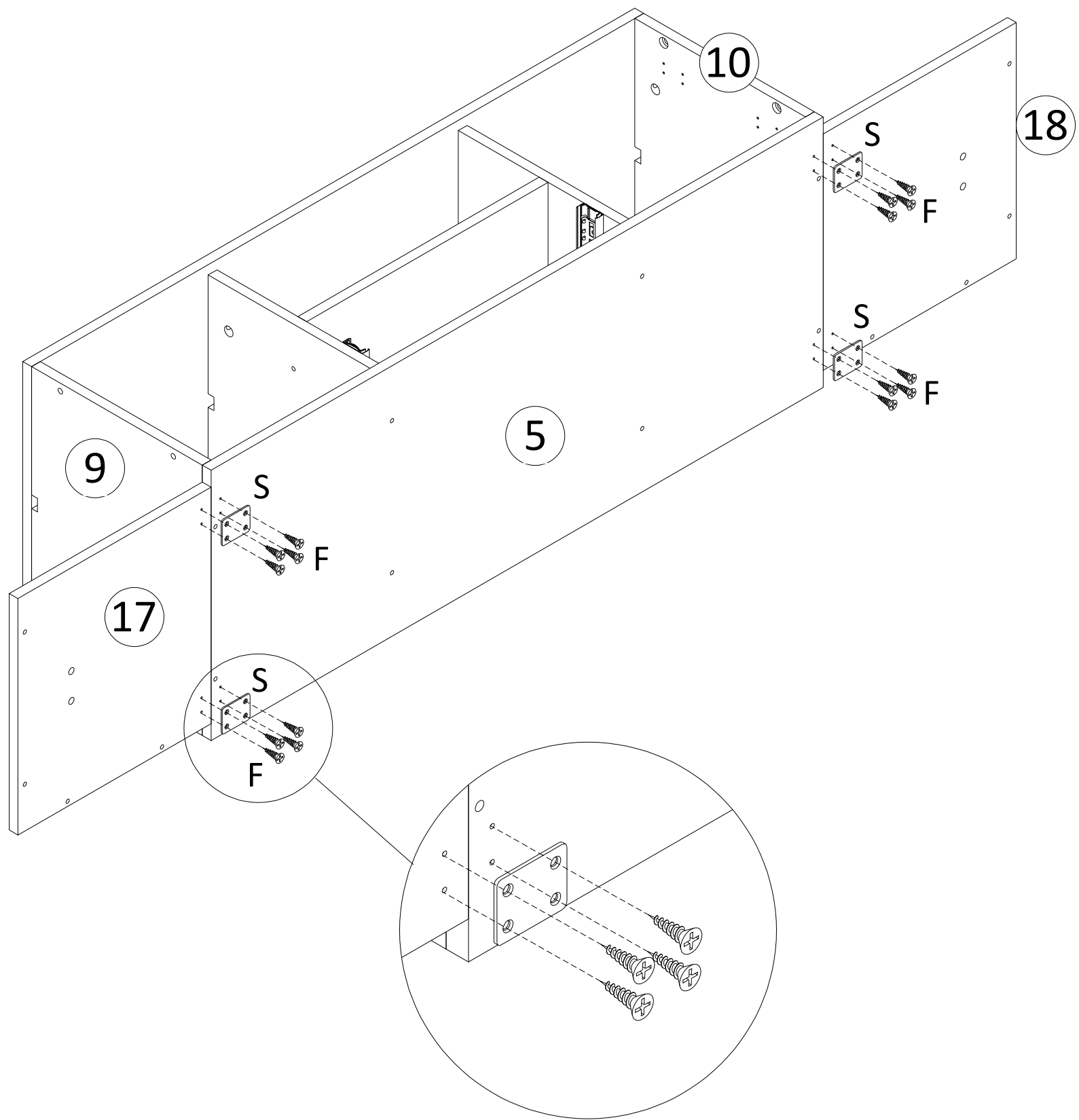


16 PCS

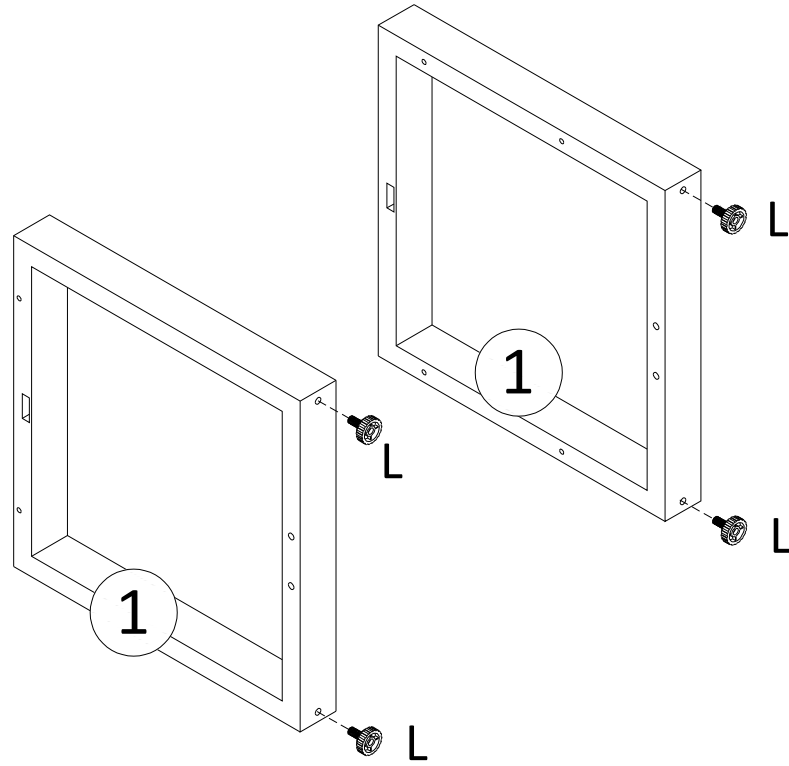
S



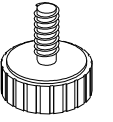
4 PCS



8

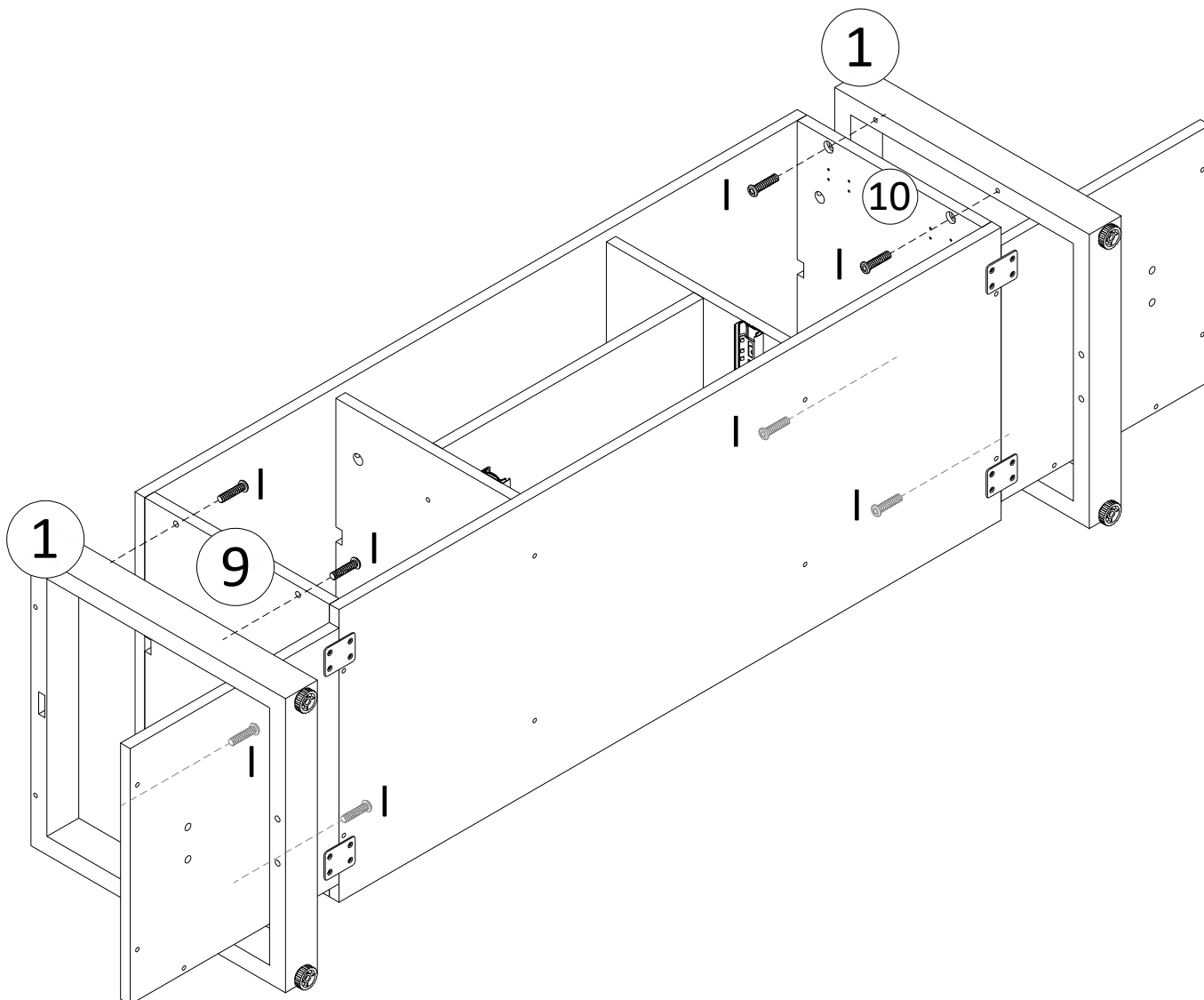


L M6XØ28



4 PCS

9

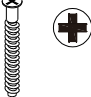


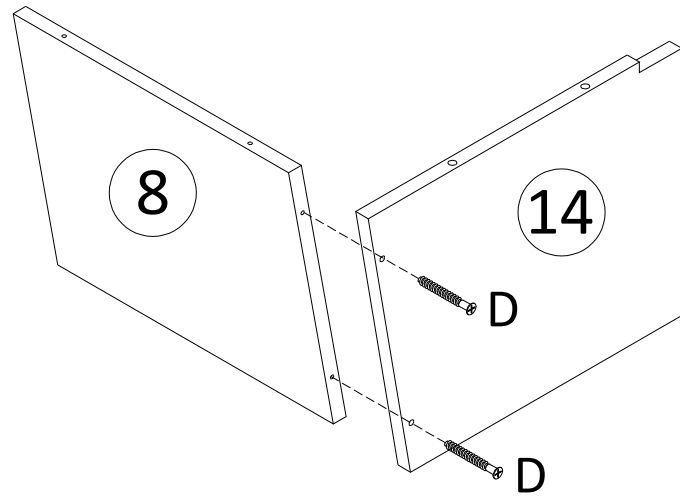
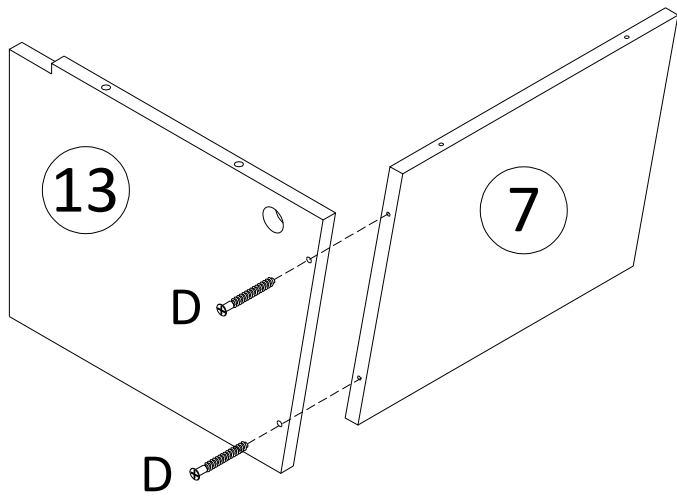
I M6x25




8 PCS


10


- D M5x40
- 
- 4 PCS

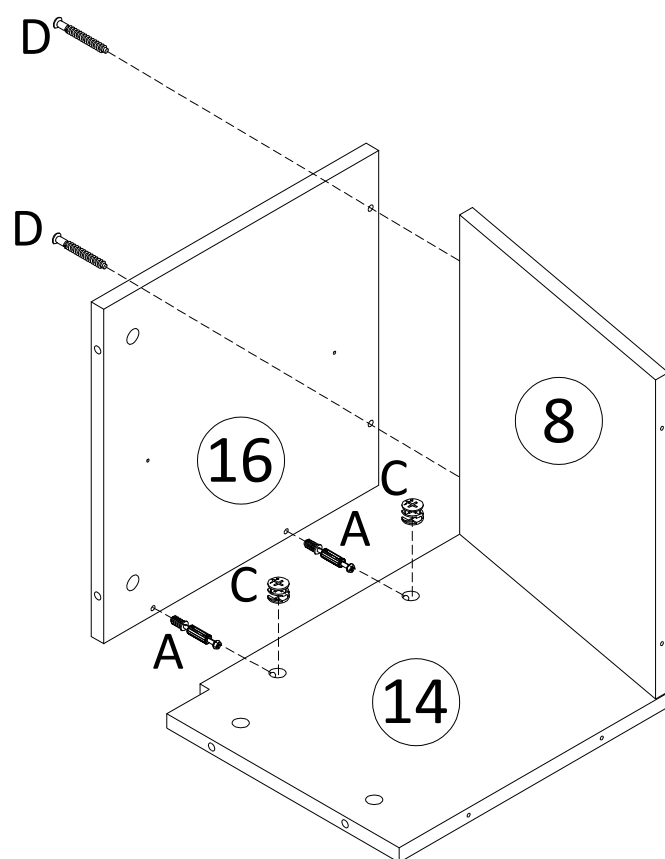
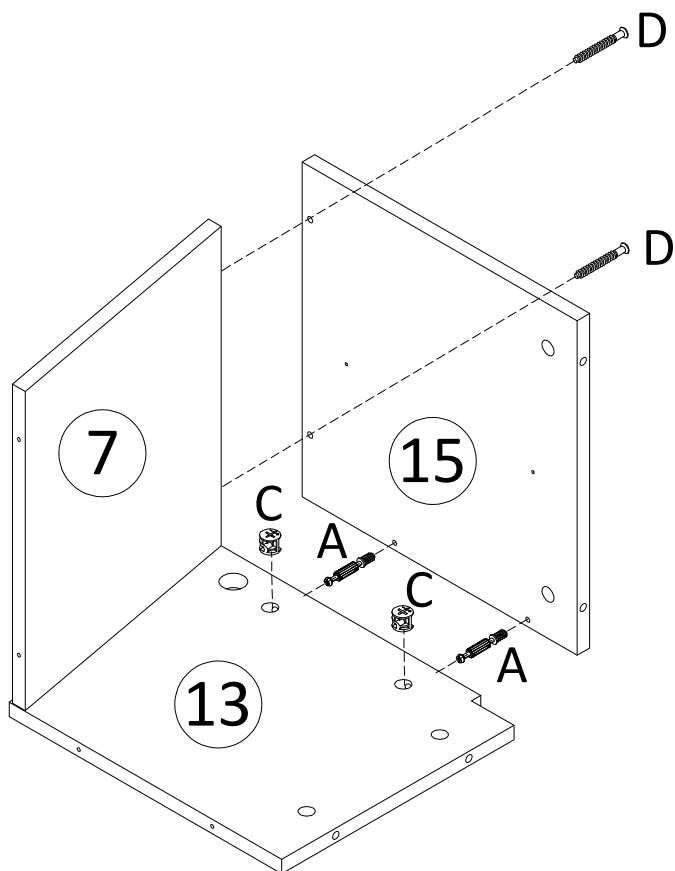


11

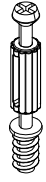
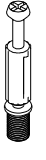


- A M5x42
- 
- 4 PCS

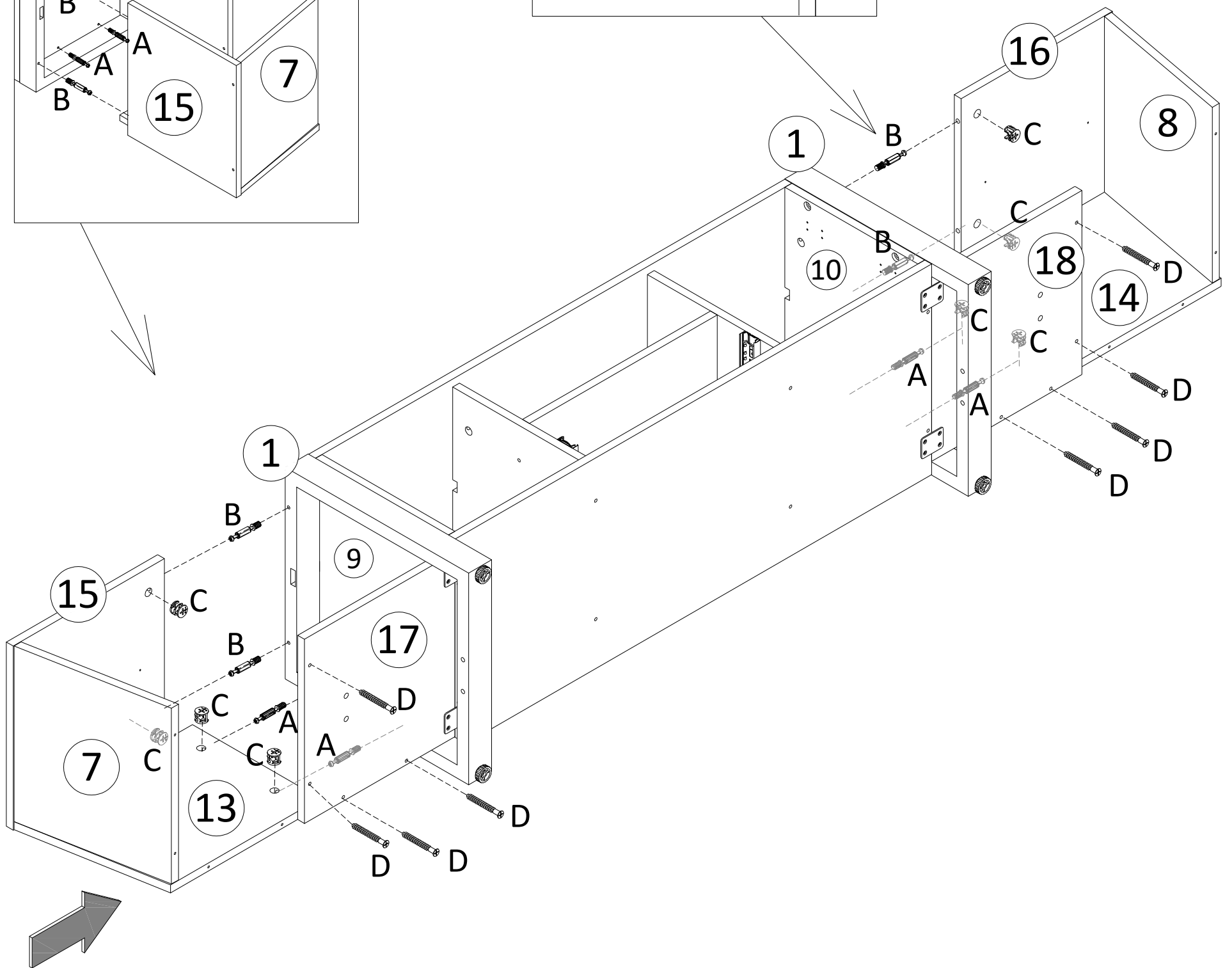
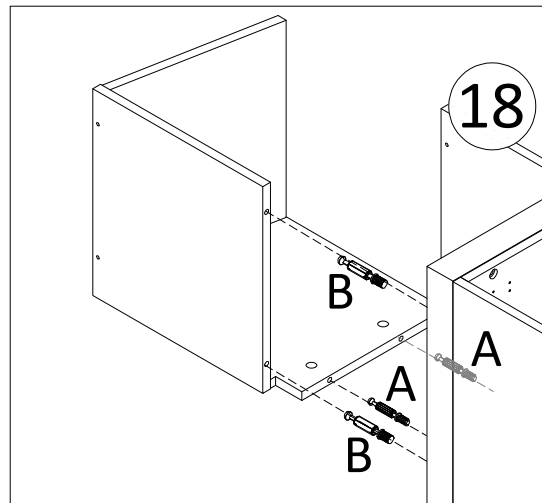
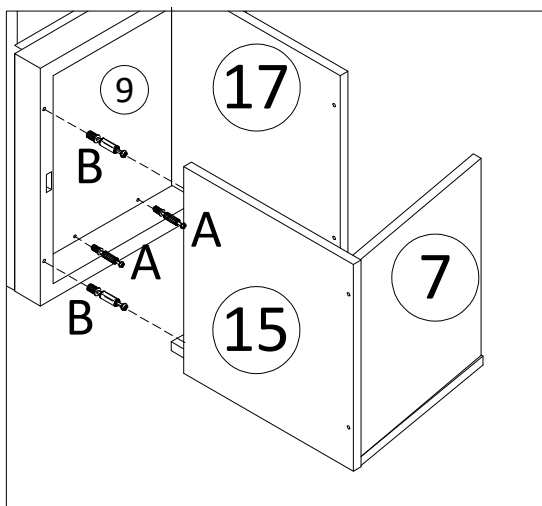
- C Ø15x10
- 
- 4 PCS

- D M5x40
- 
- 4 PCS

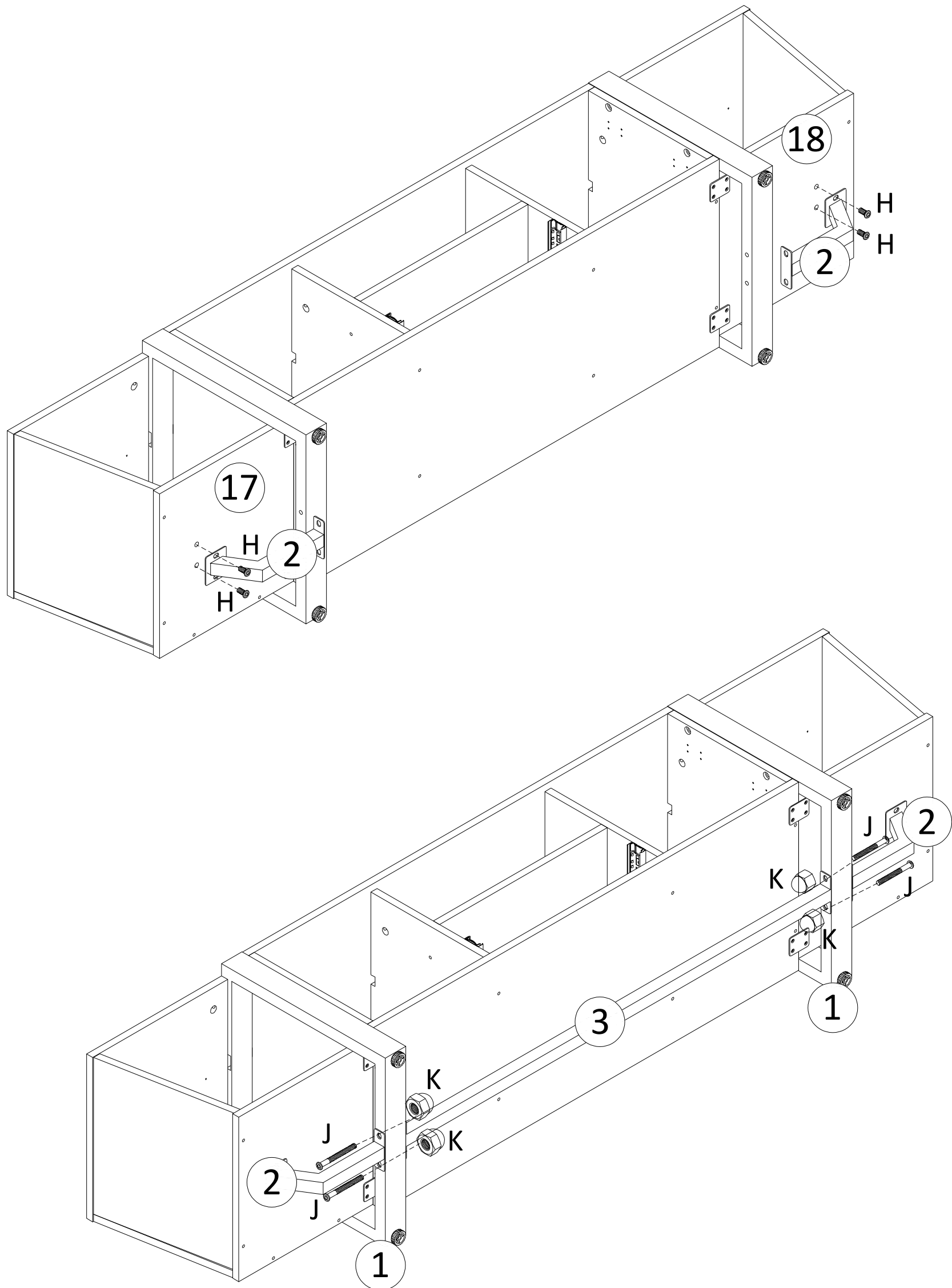


12

<p>A M5x42</p>  <p>4 PCS</p>	<p>B M6x42</p>  <p>4 PCS</p>	<p>C Ø15x10</p>  <p>8 PCS</p>
<p>D M5x40</p>  <p>8 PCS</p>		



13

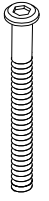


H M6x12



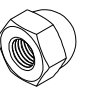
4 PCS

J M6x60



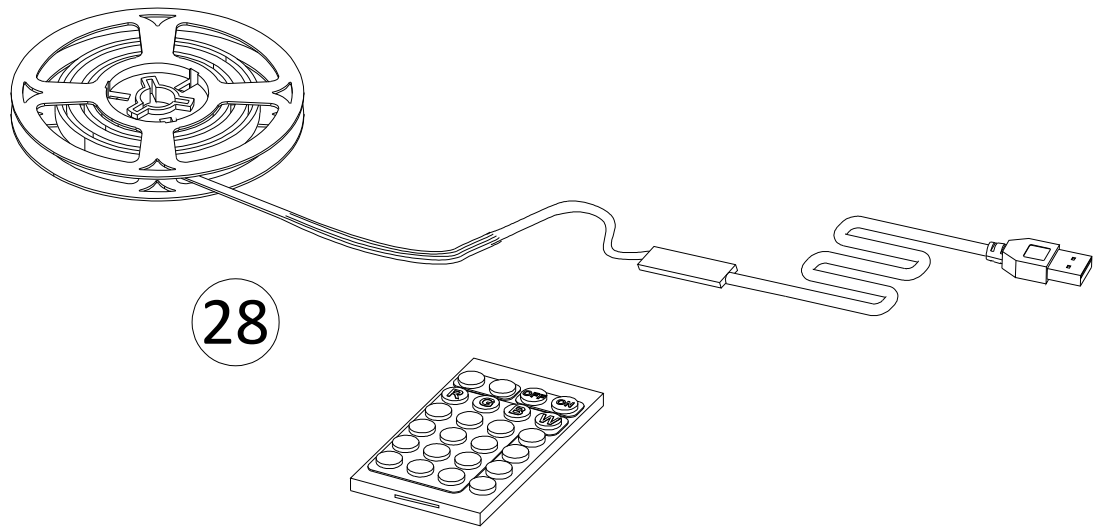
4 PCS

K M6xL12



4 PCS

14

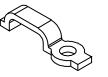


F M3.5x14



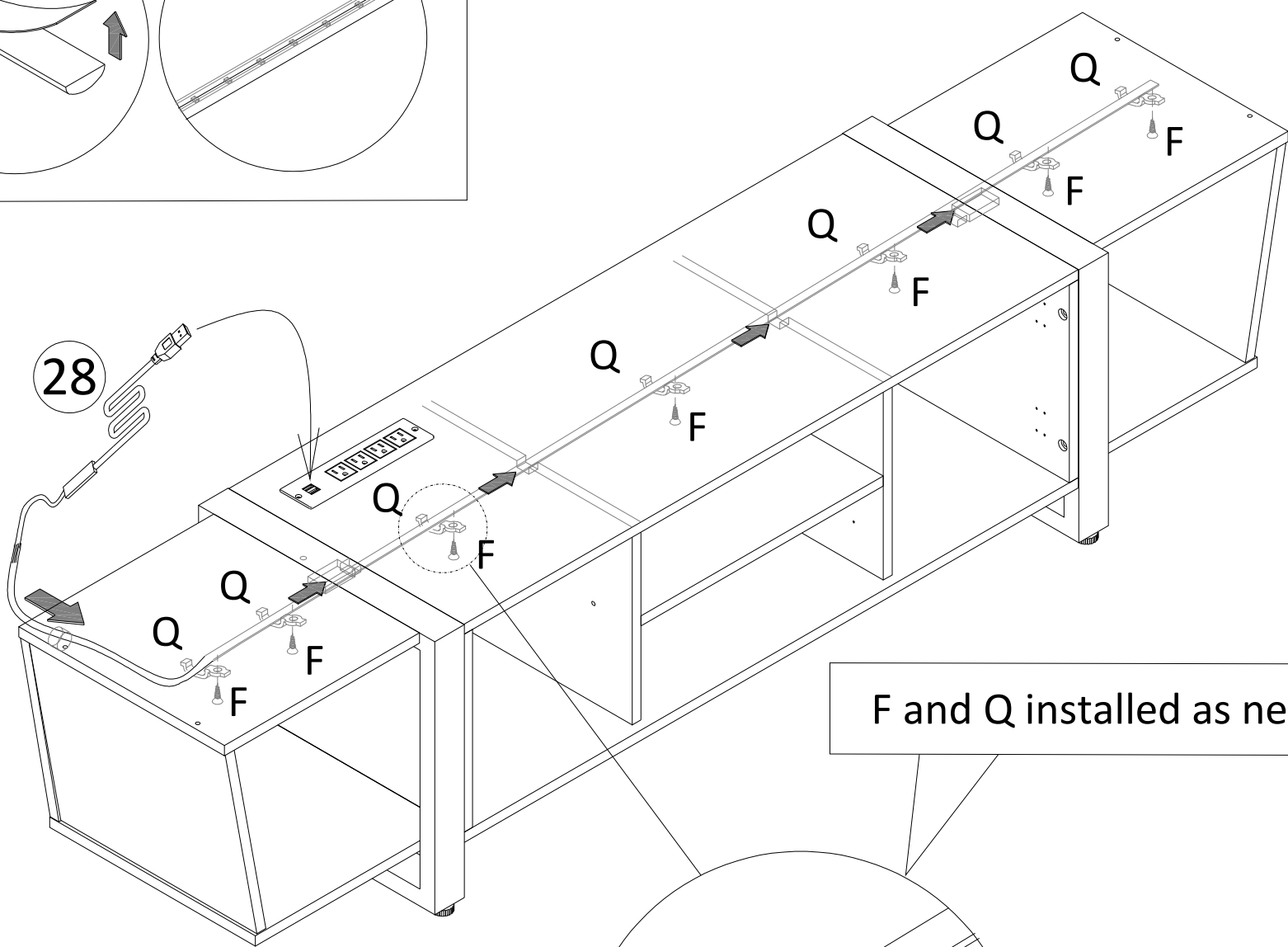
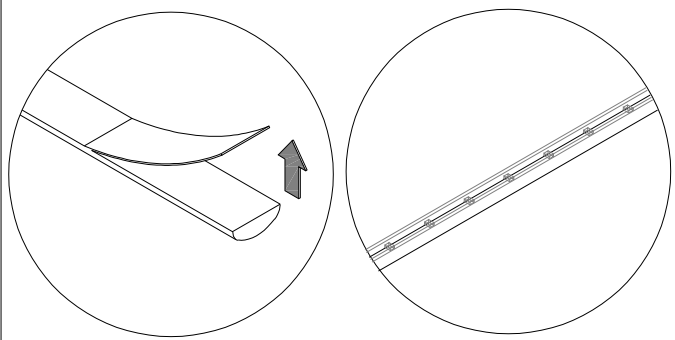
8 PCS

Q

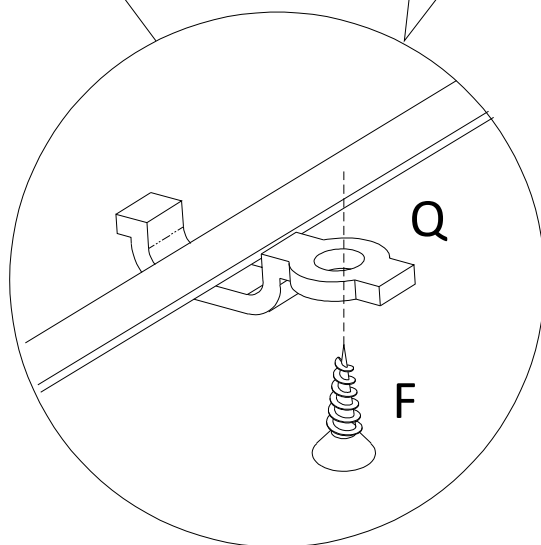


8 PCS

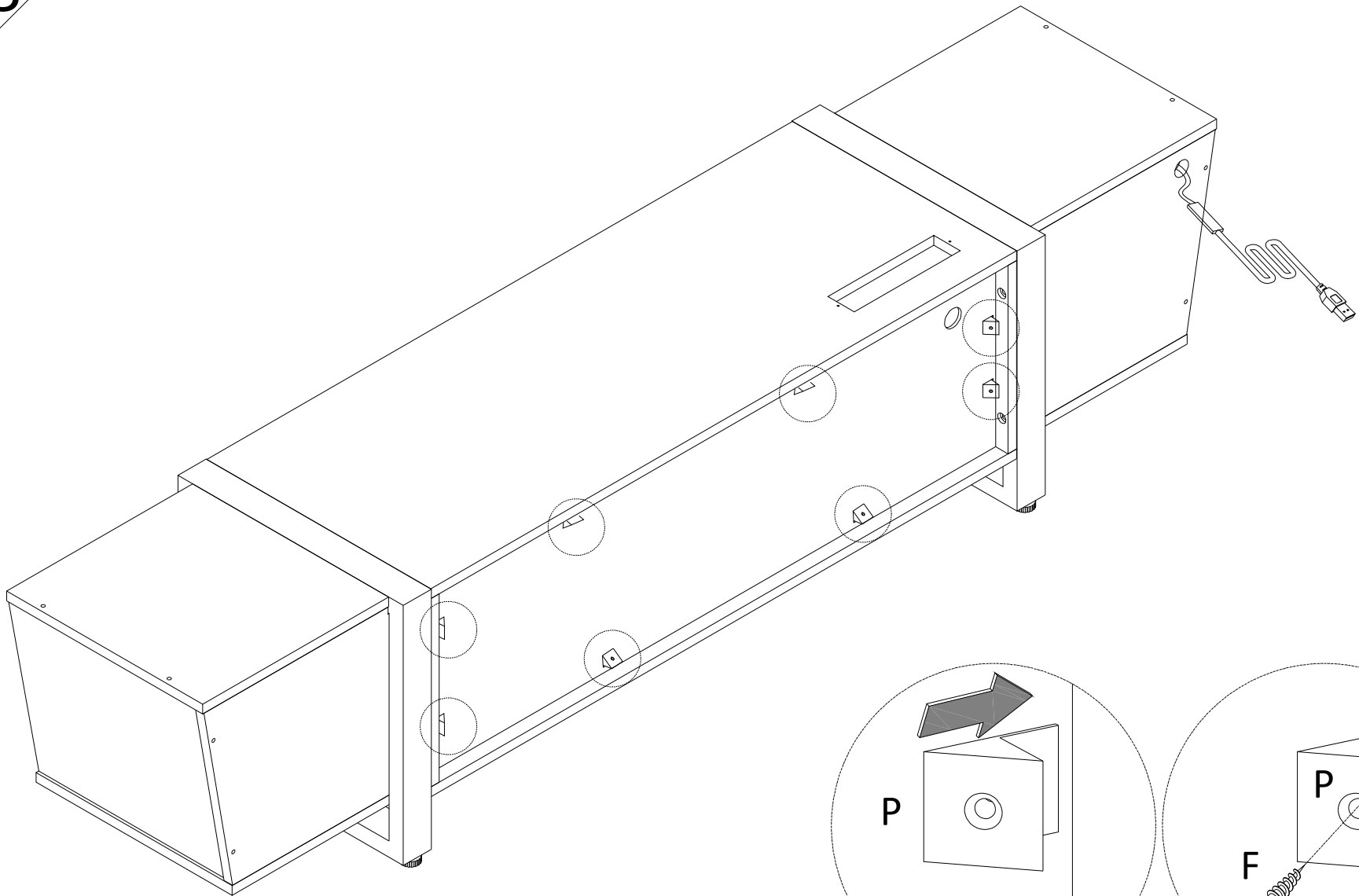
Tear off the tape and apply it to the plate, Then press it firmly with your hand



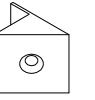
F and Q installed as needed.



15



P

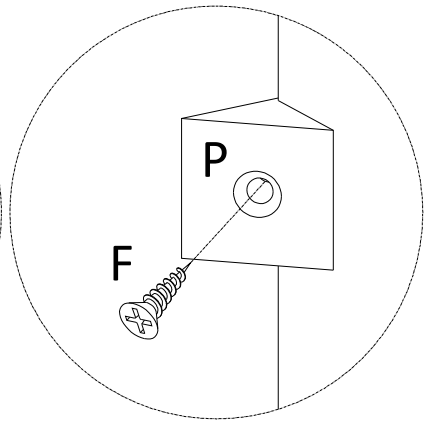
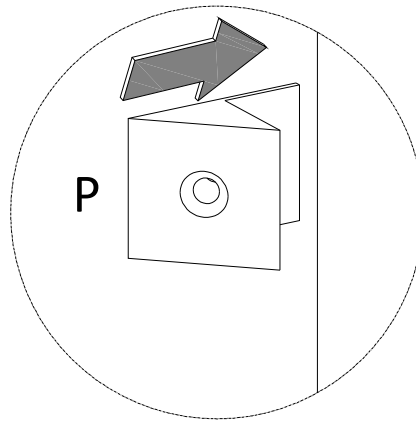


8 PCS

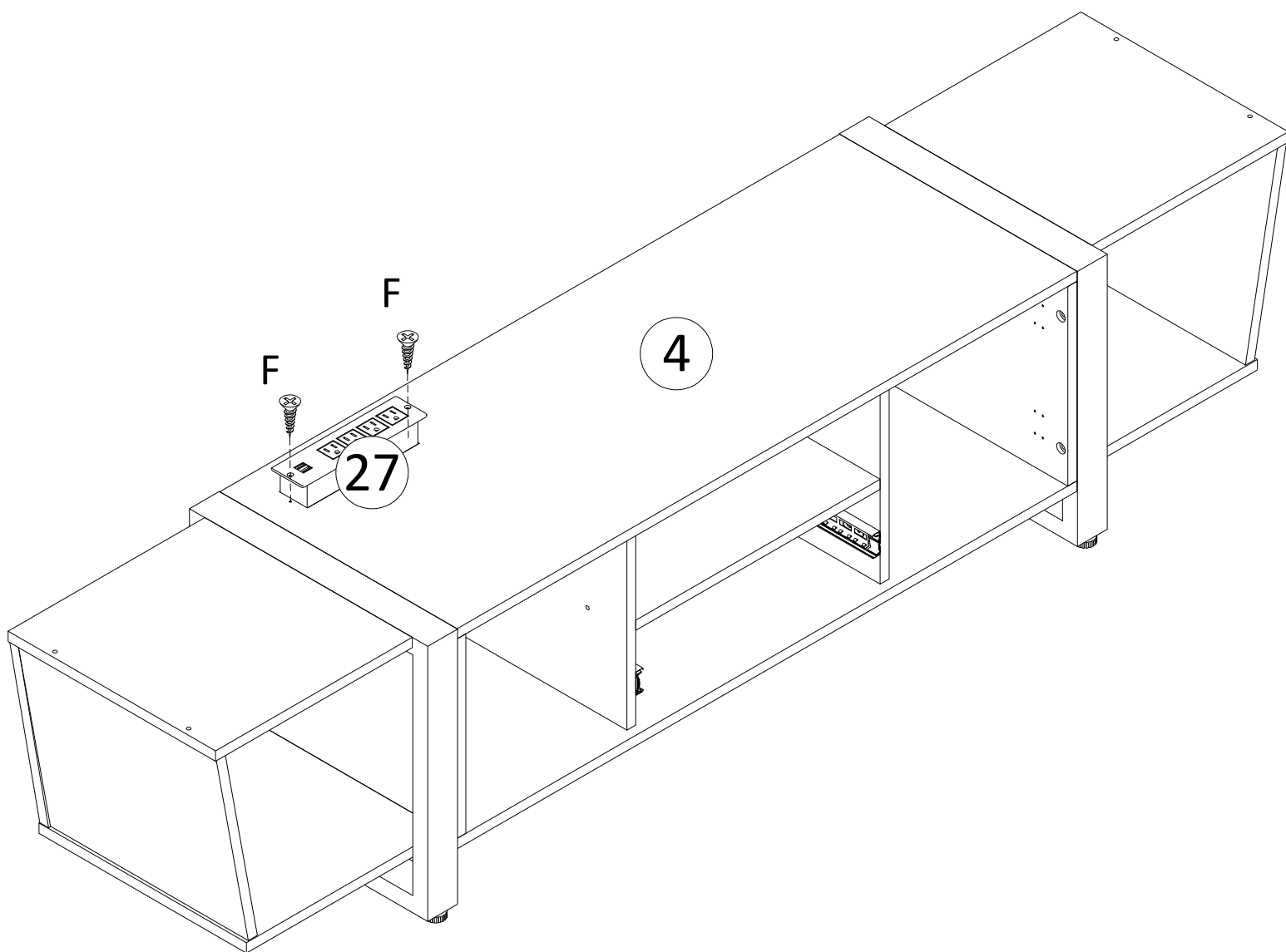
F M3.5x14



8 PCS



16

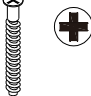


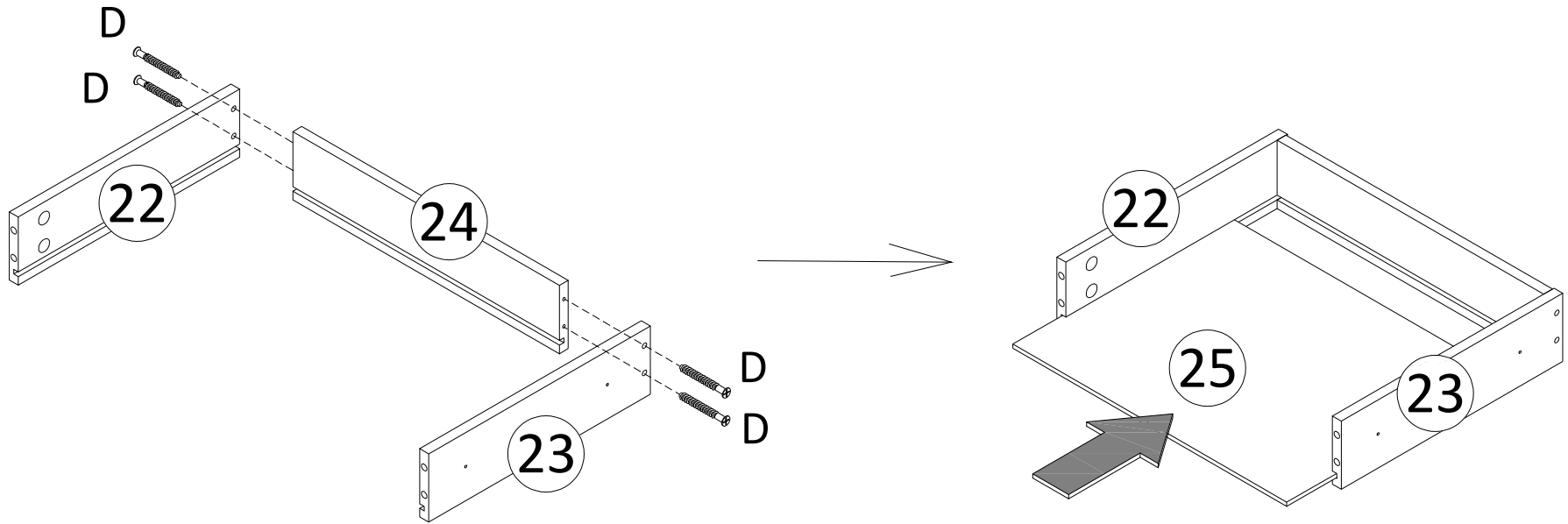
F M3.5x14



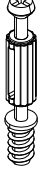

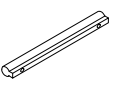
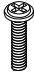
2 PCS

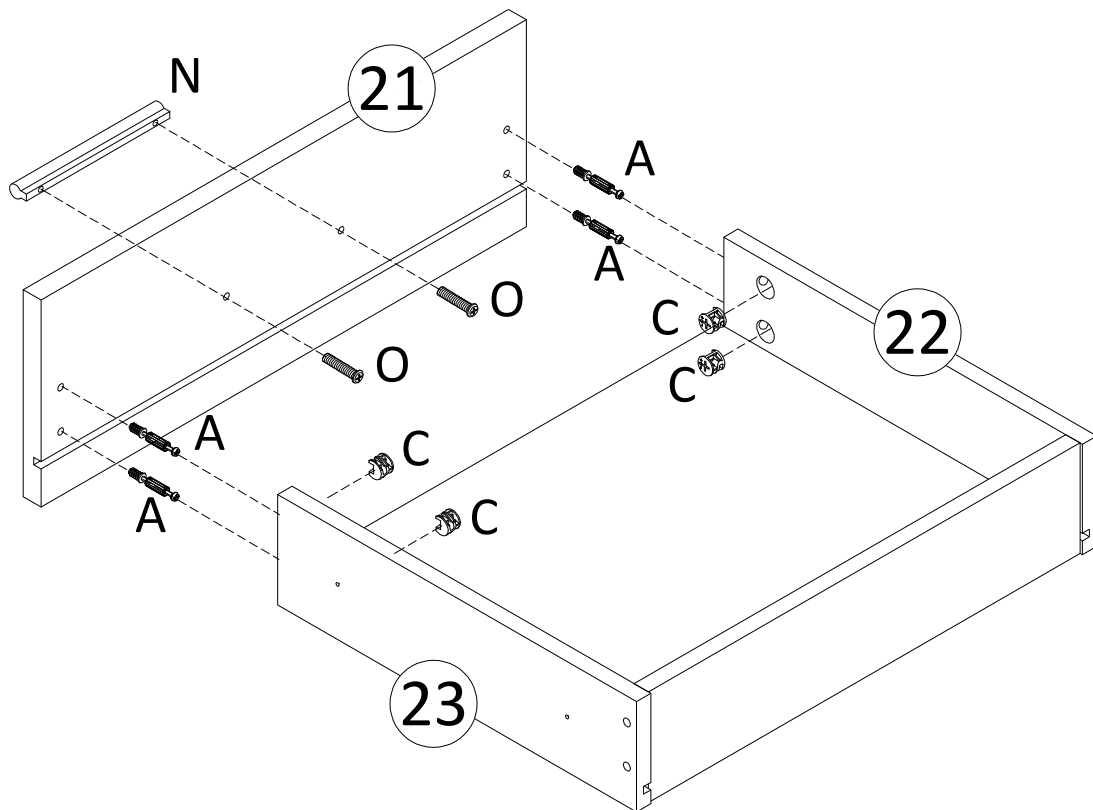
17

- D M5x40
- 
- 4 PCS

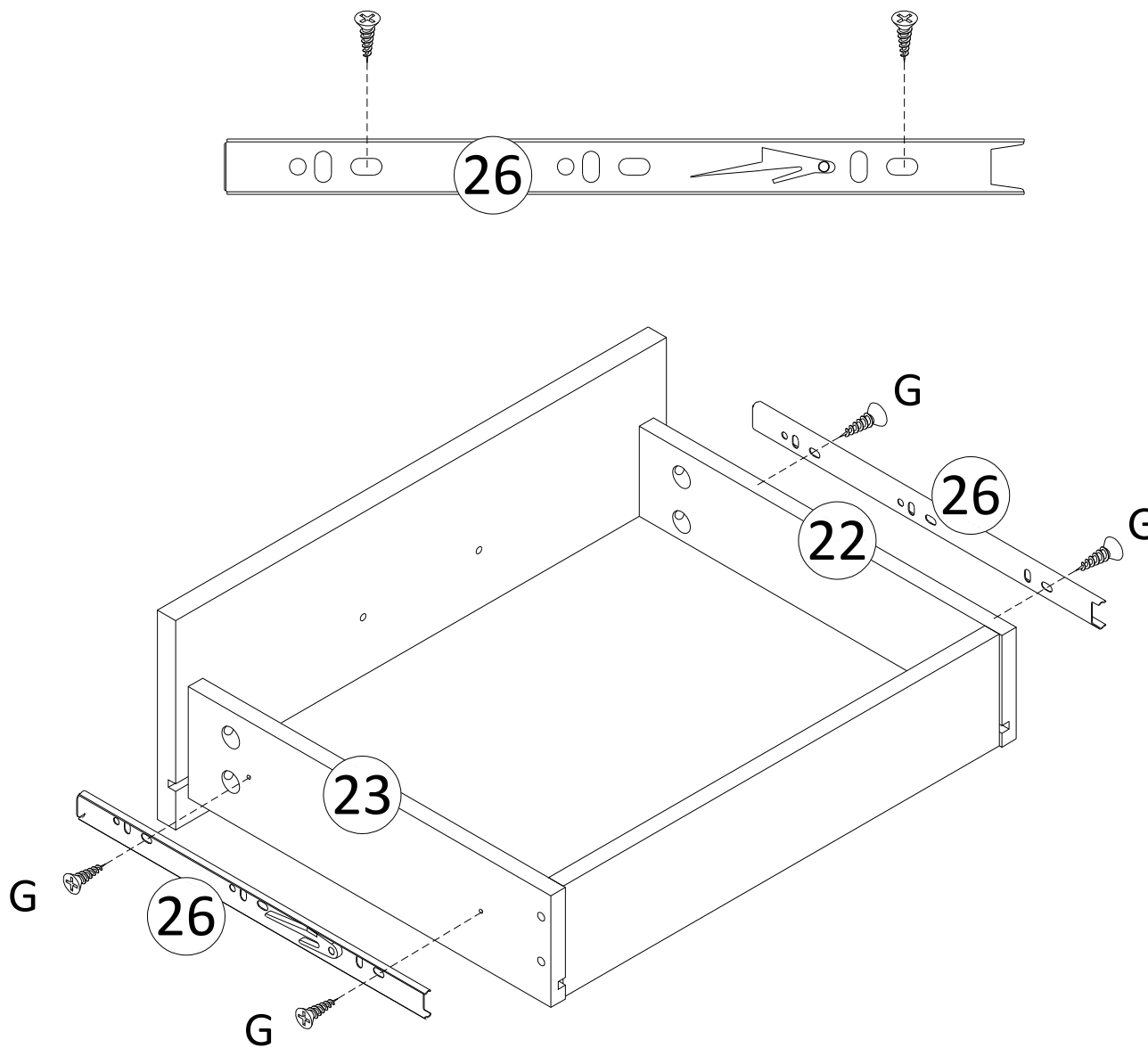


18

- A M5x42
- 
- 4 PCS
- C Ø15x10
- 
- 4 PCS
- N 220-96
- 
- 2 PCS
- O M4x18
- 
- 2 PCS



19

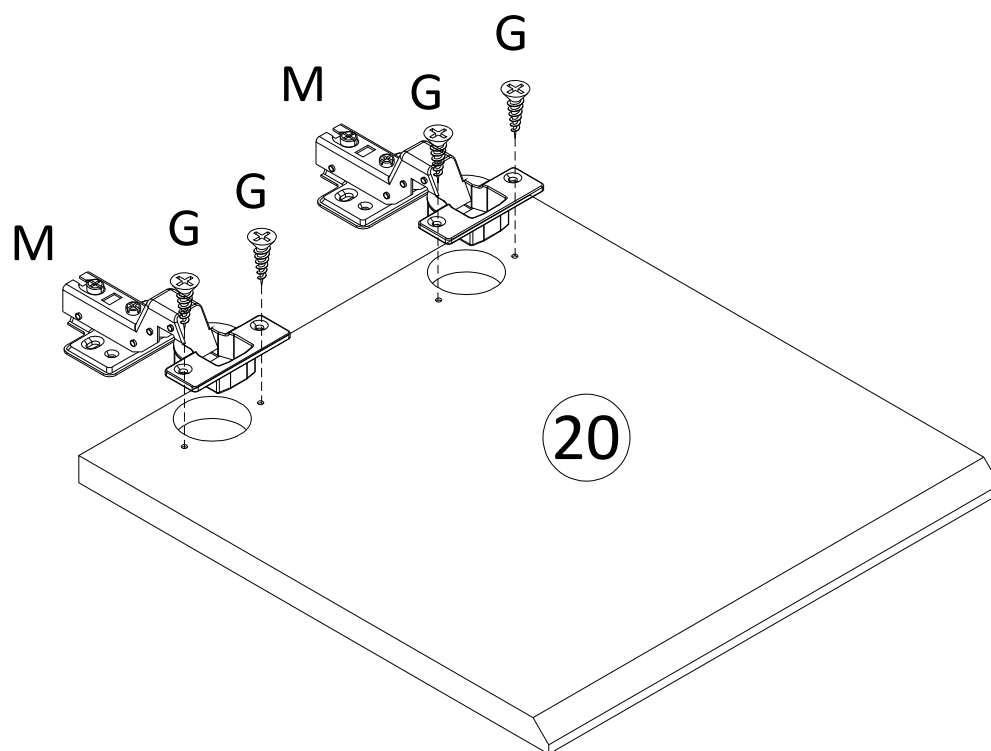


G M3.5x12

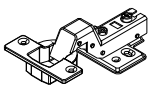


4 PCS

20



M DW



4 PCS

G M3.5x12



8 PCS

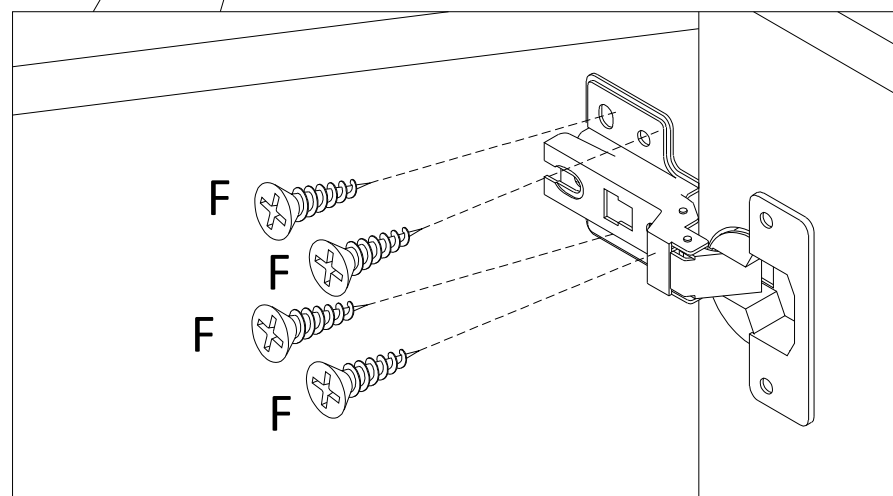
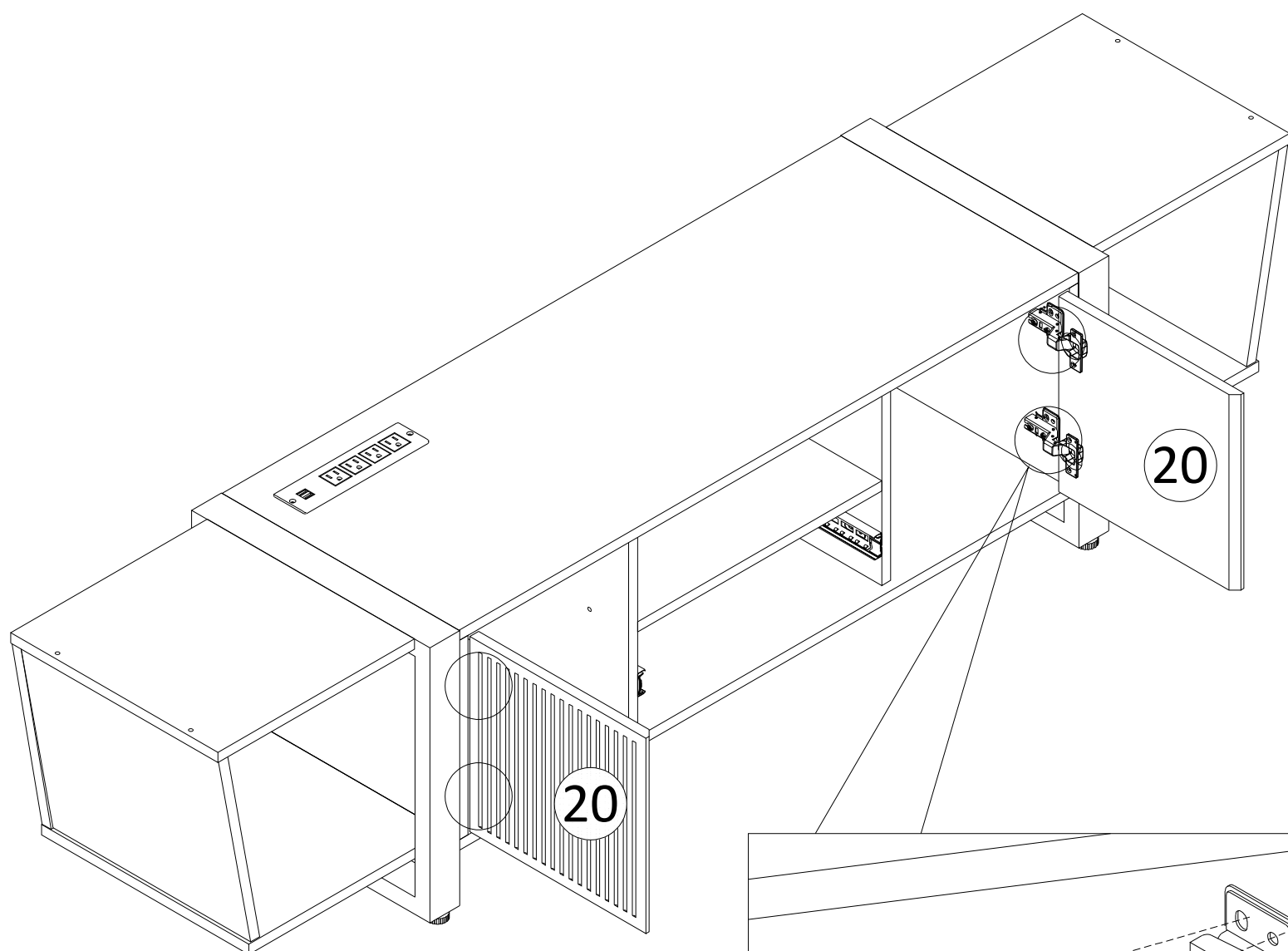
X 2

21

F M3.5x14



16 PCS



22

