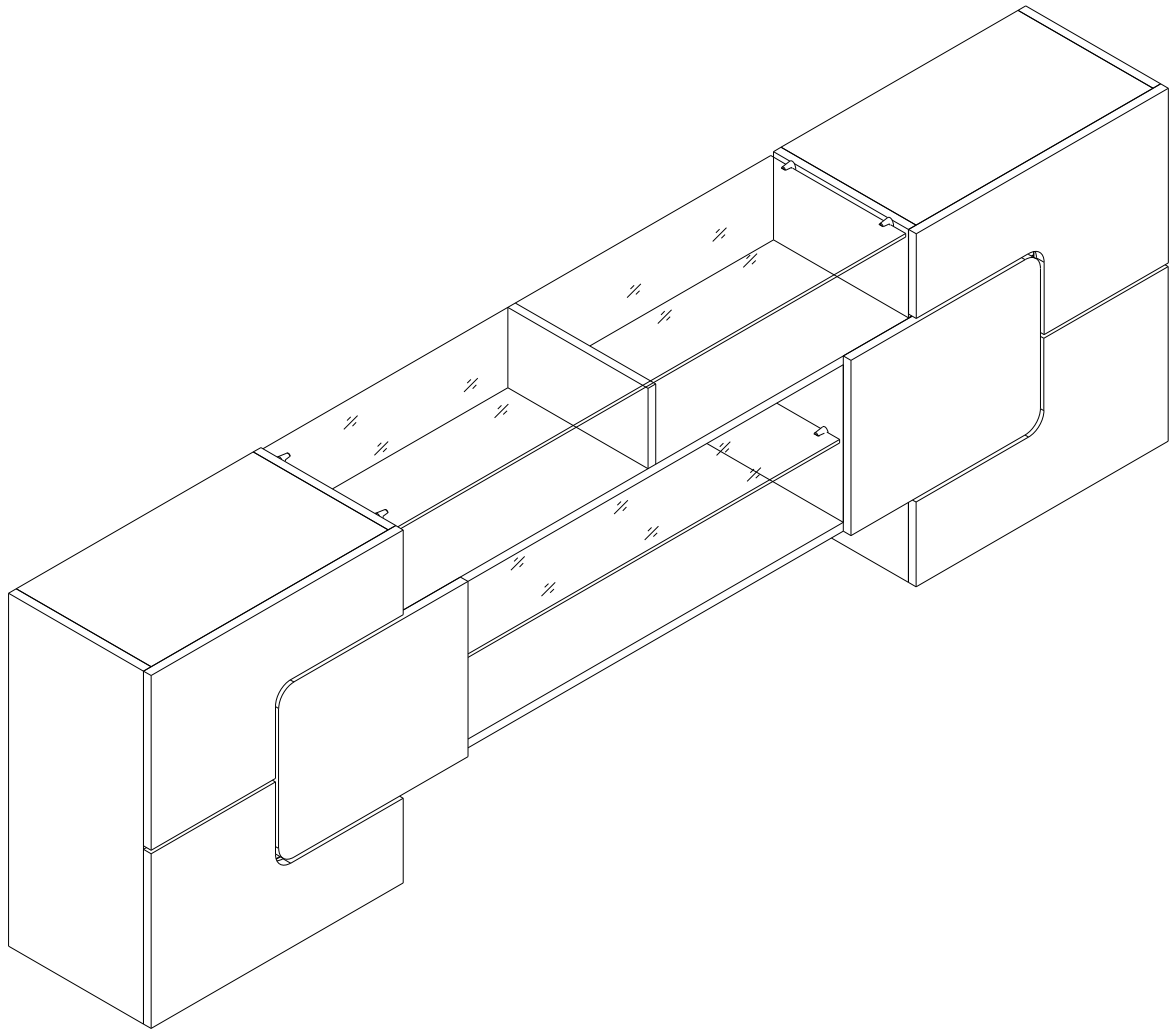


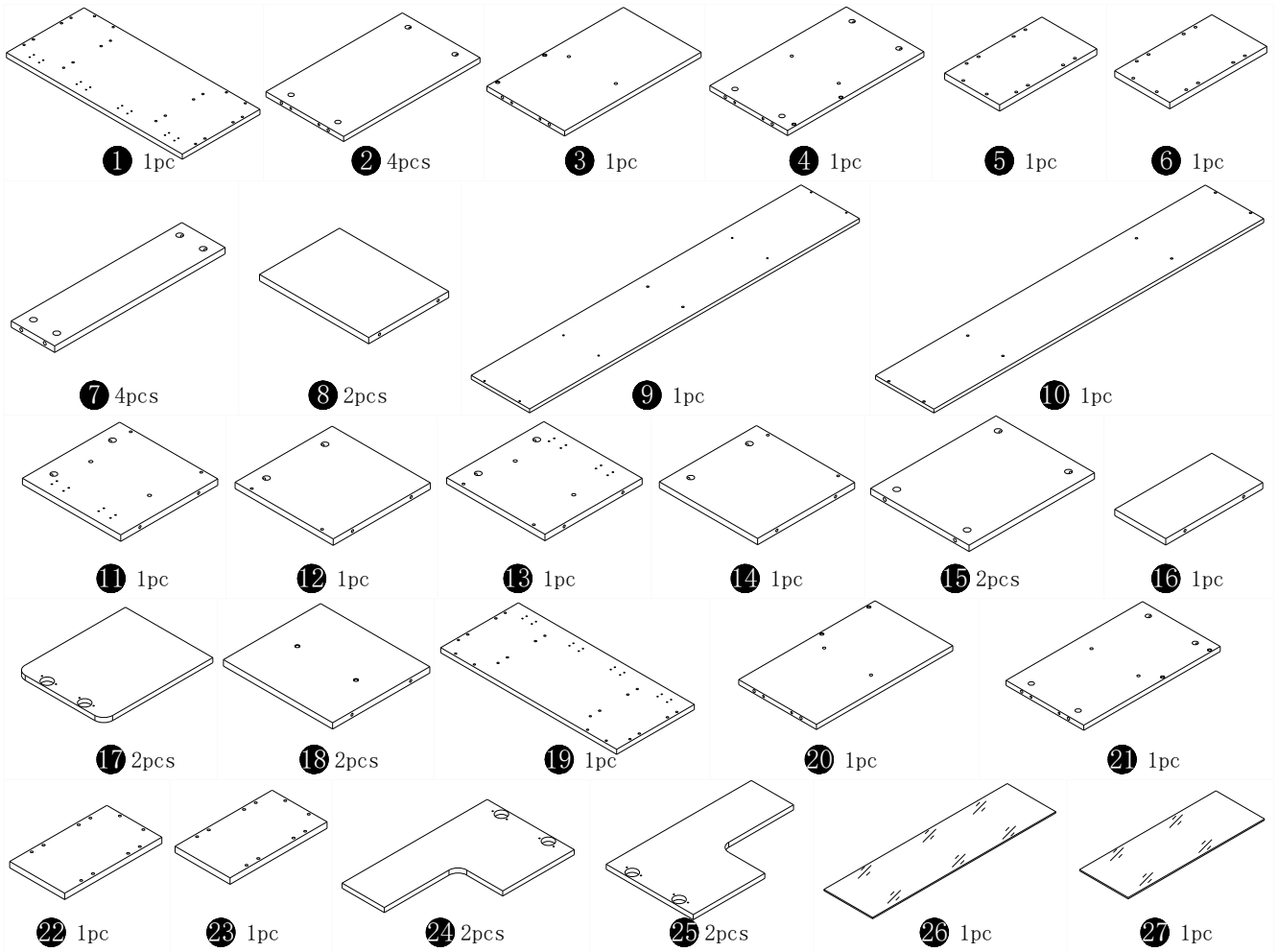
---

# Assembly Instructions

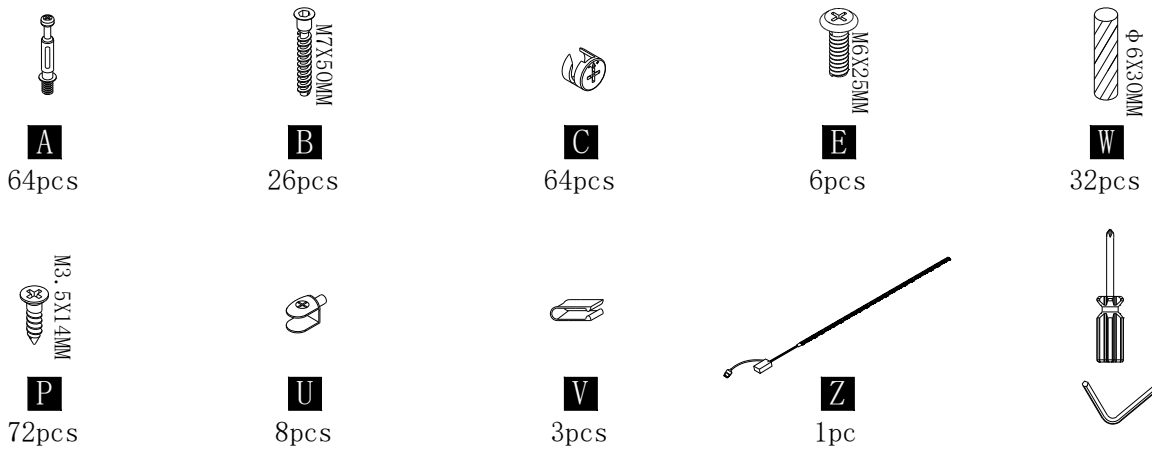


C230248G

# Parts & Hardware List

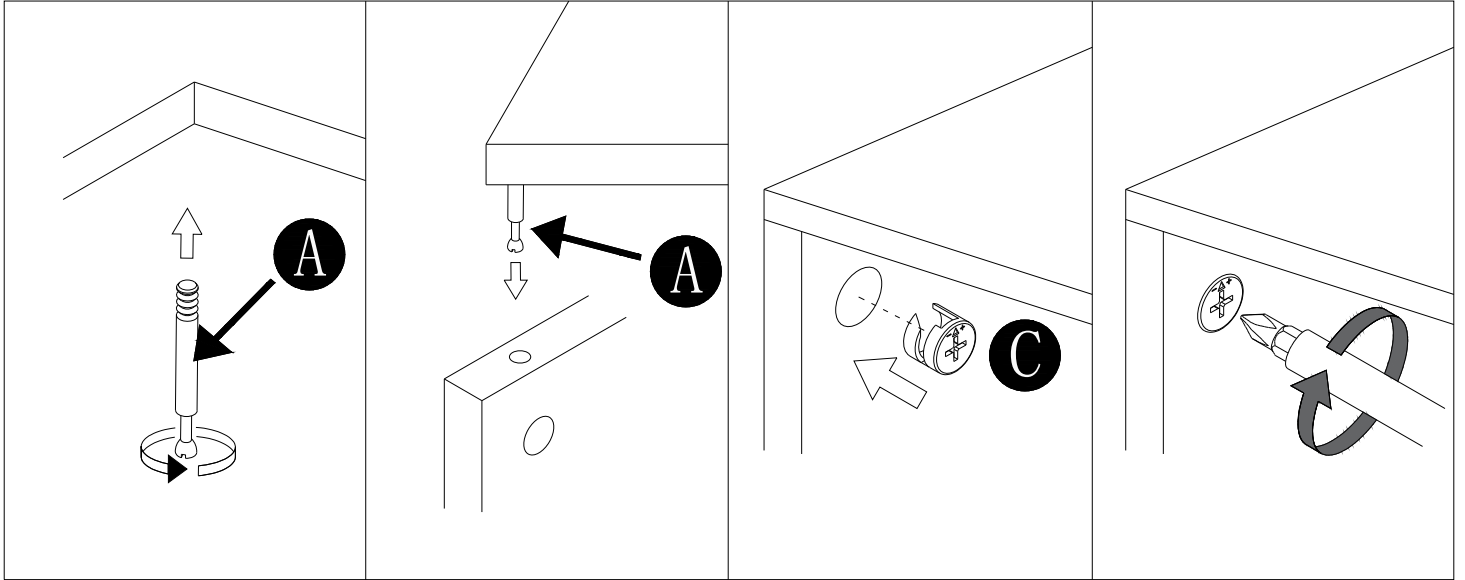


# Parts & Hardware List

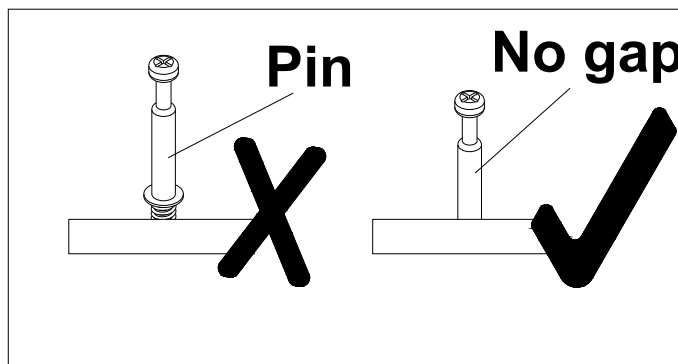


# Installation of Cams and Pins

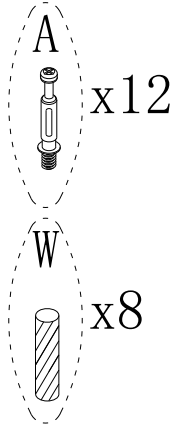
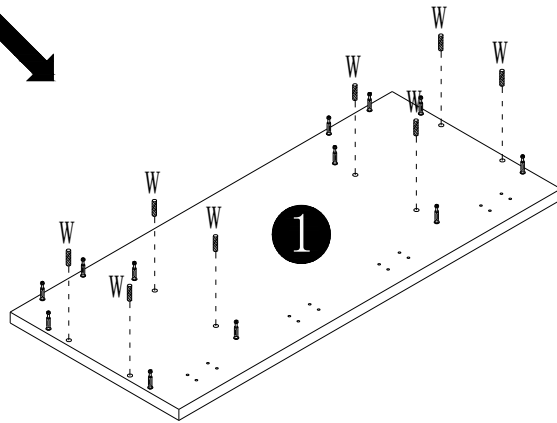
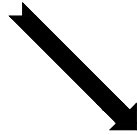
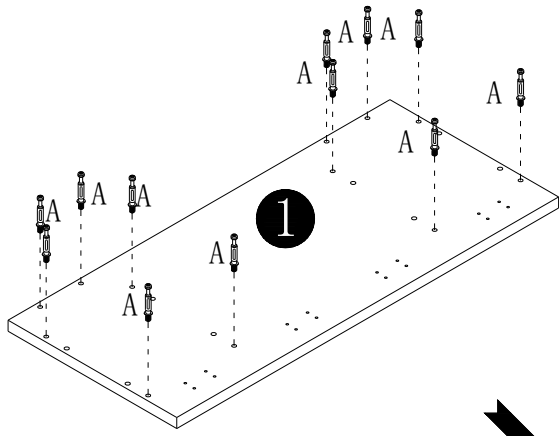
Screw the pin into the hole. To set the cams correctly, ensure that the arrow on the cam is opening to the hole of the pin it is locking. Lock the cam by turning the cam head with a screwdriver until it is tightened. Please do not use an electric screwdriver to assemble the unit.



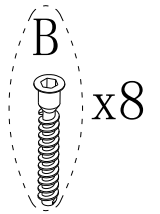
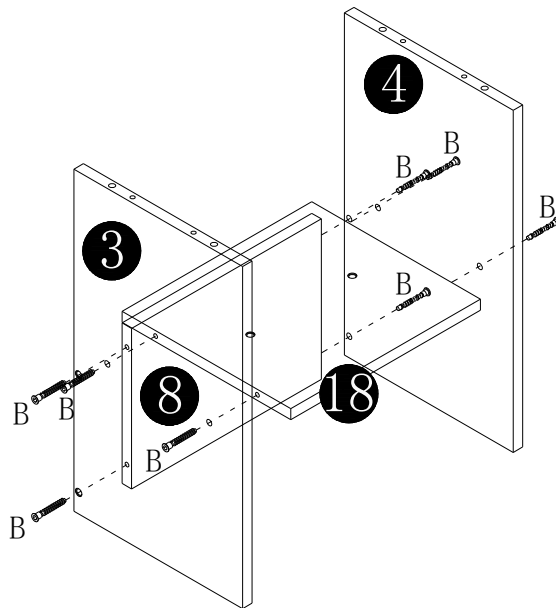
Read each step carefully before starting. It is very important that each step of instruction is performed in the correct order. If these steps are not followed in sequence, assembly difficulties will occur.



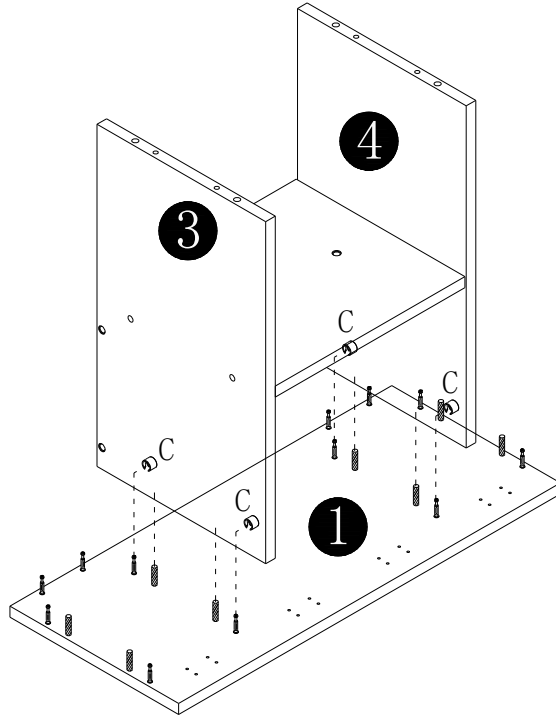
1



2

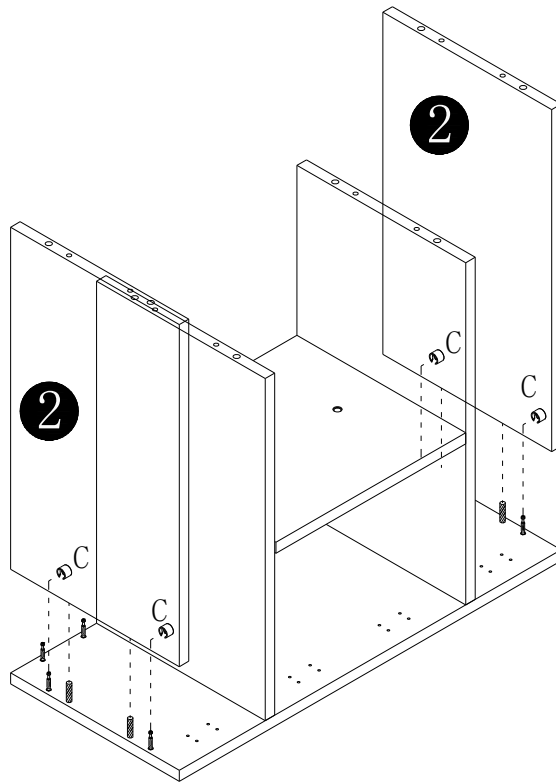


3



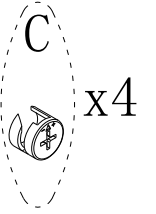
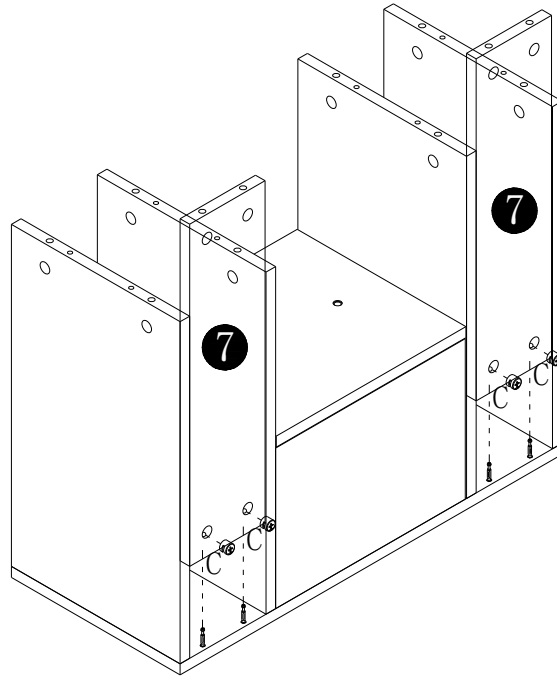
C x4

4

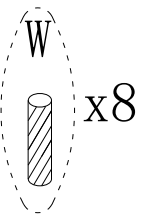
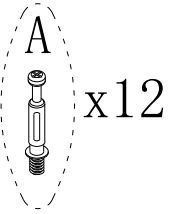
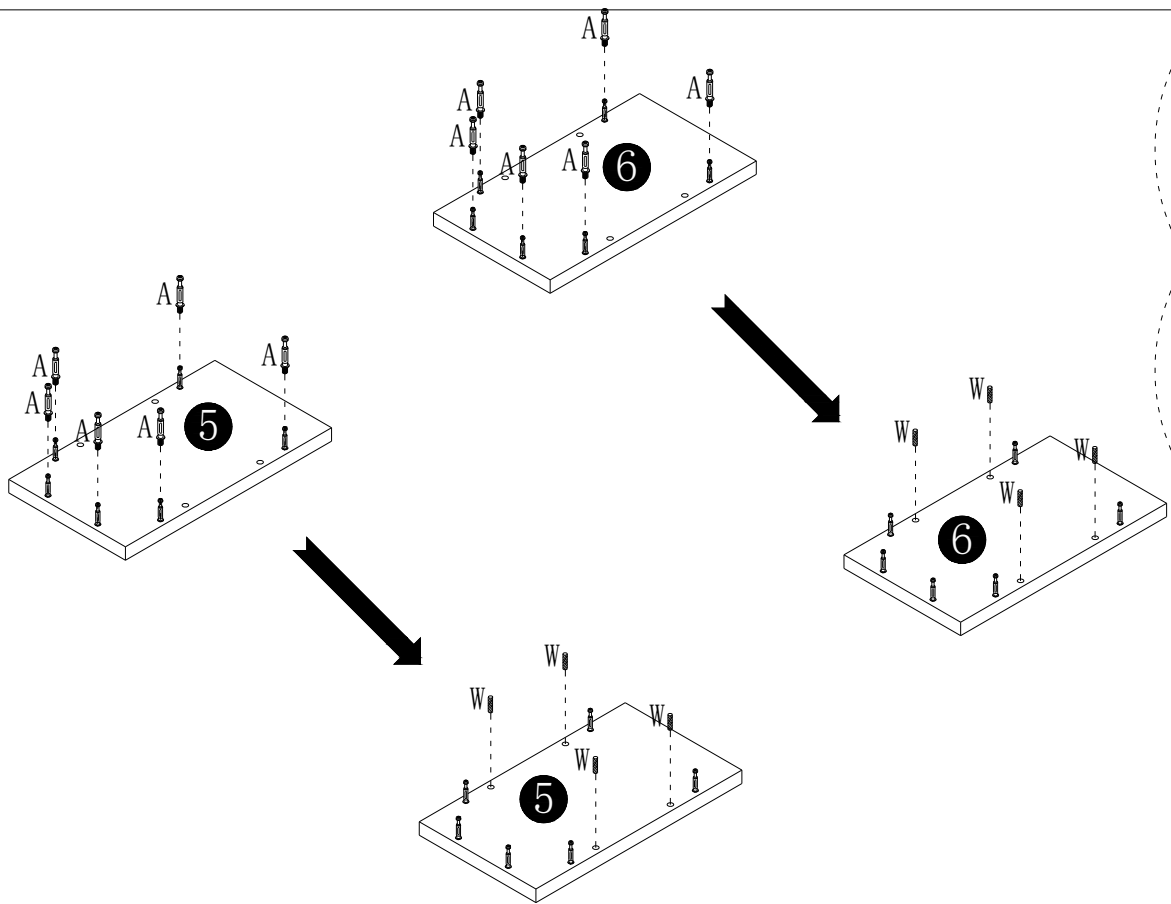


C x4

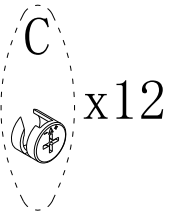
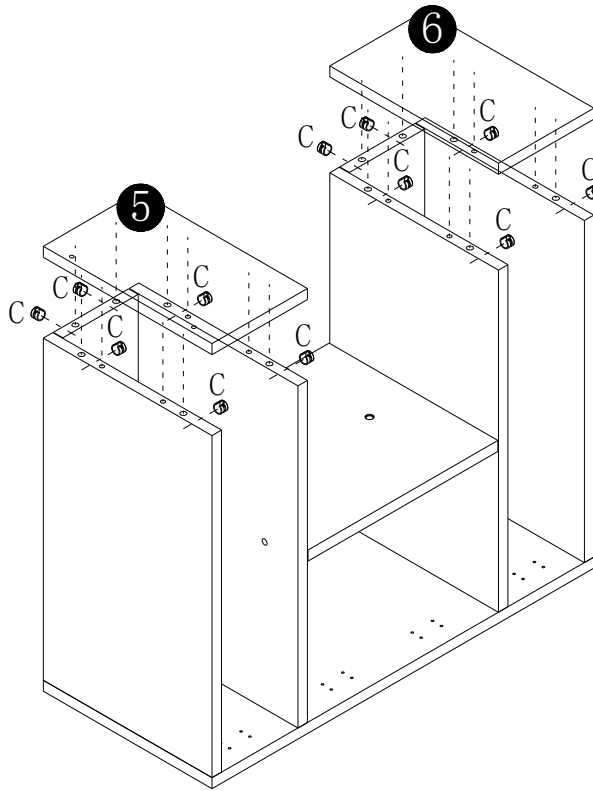
5



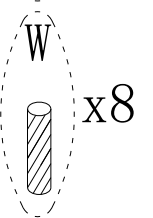
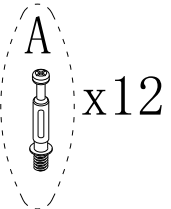
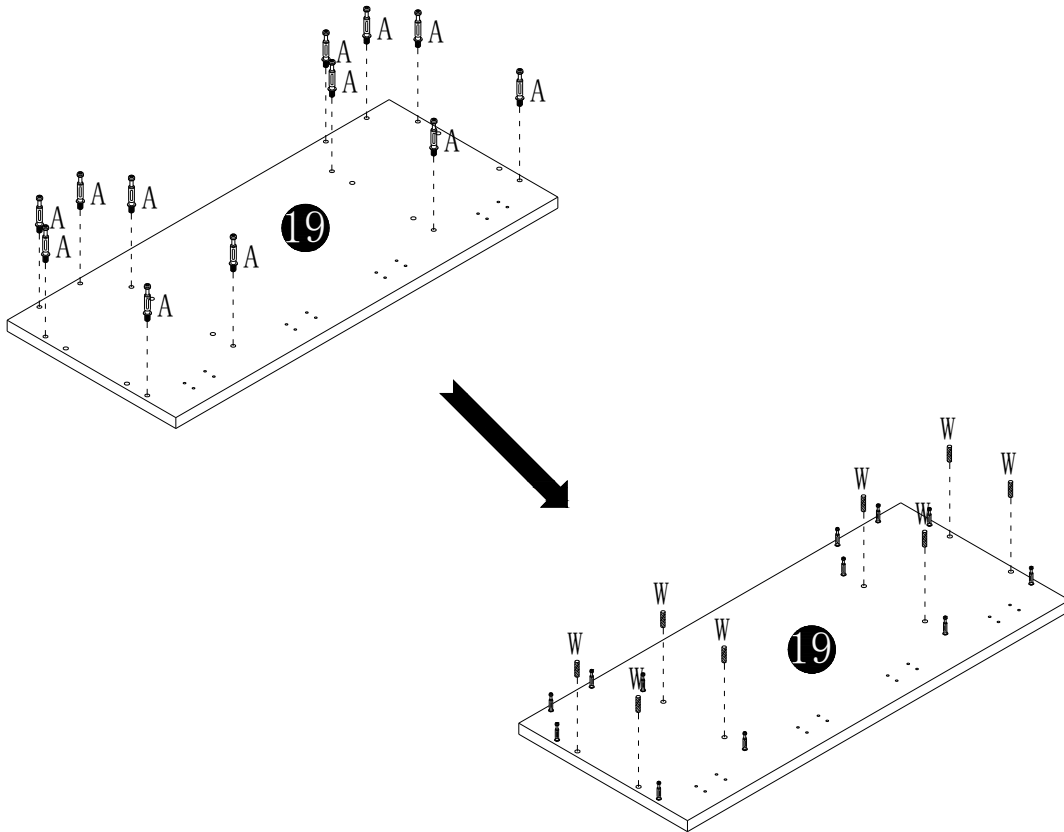
6



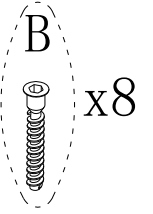
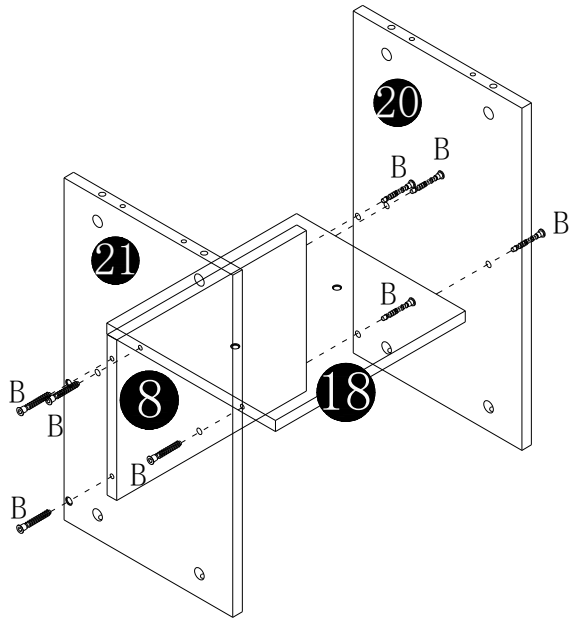
7



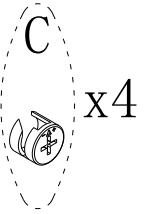
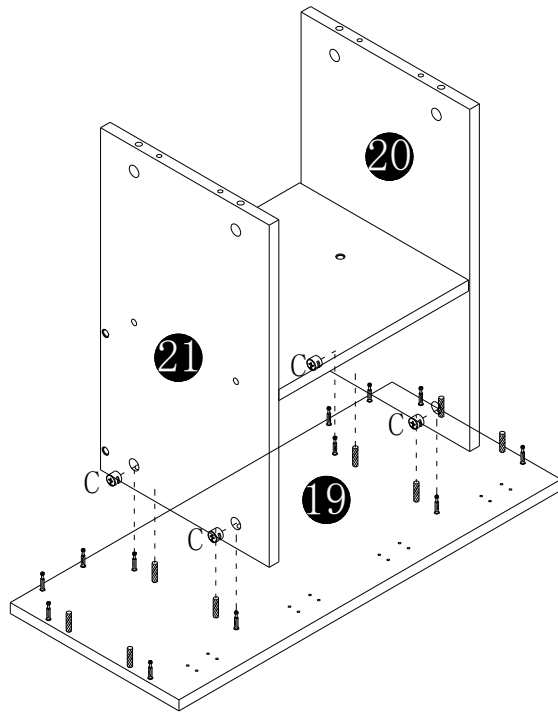
8



9

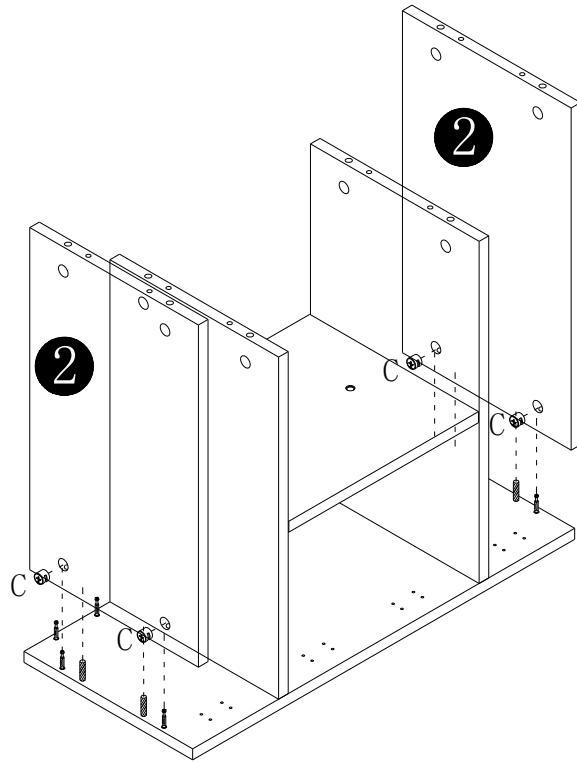


10



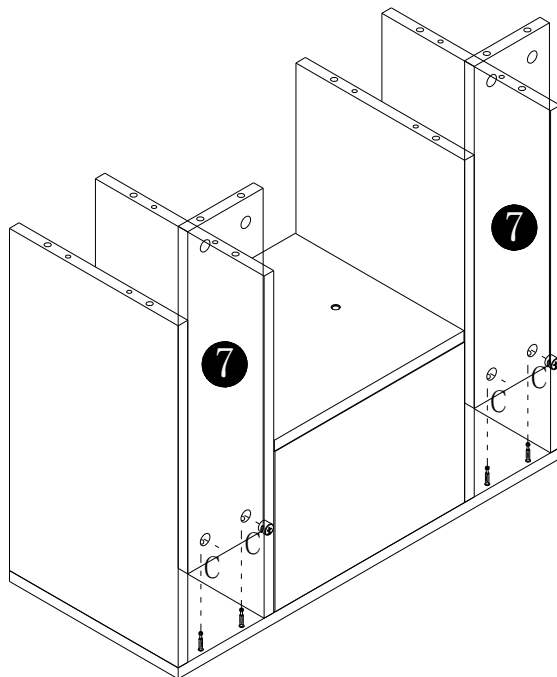


11



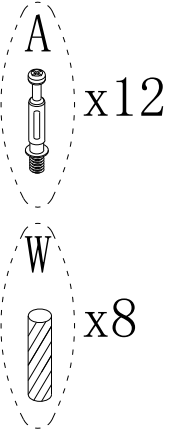
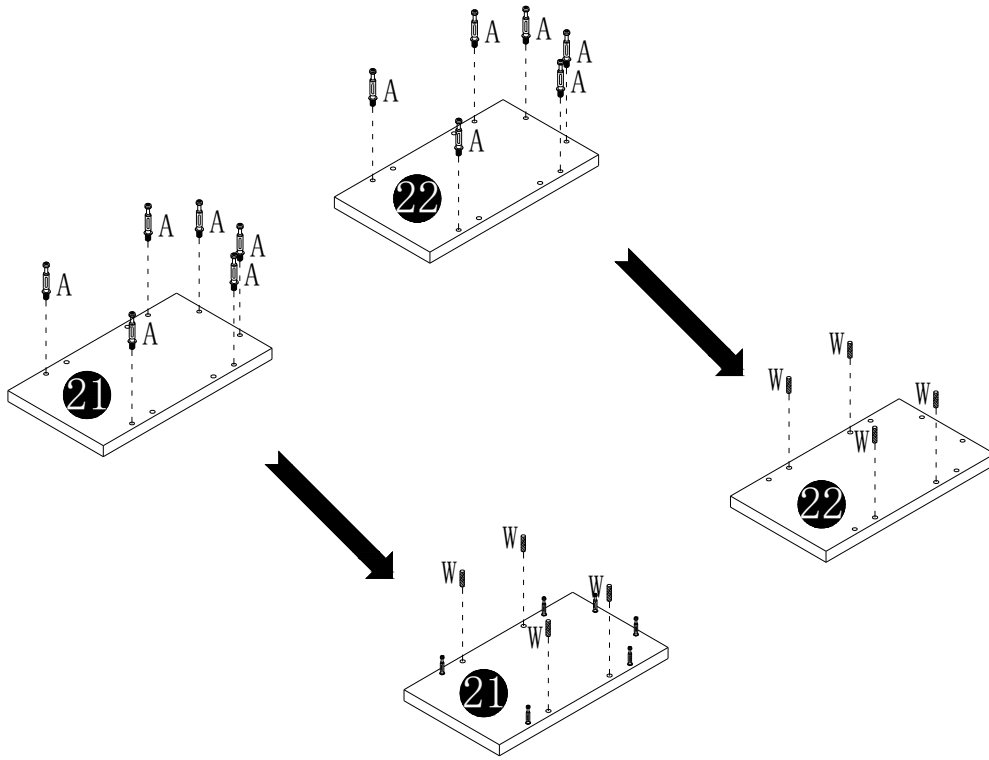
C  
x4

12

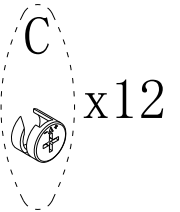
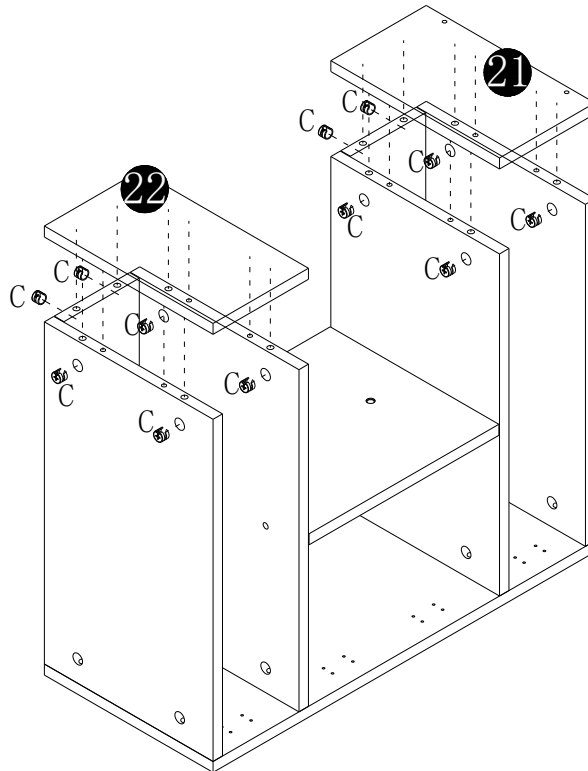


C  
x4

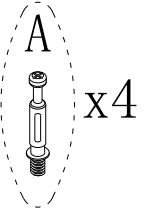
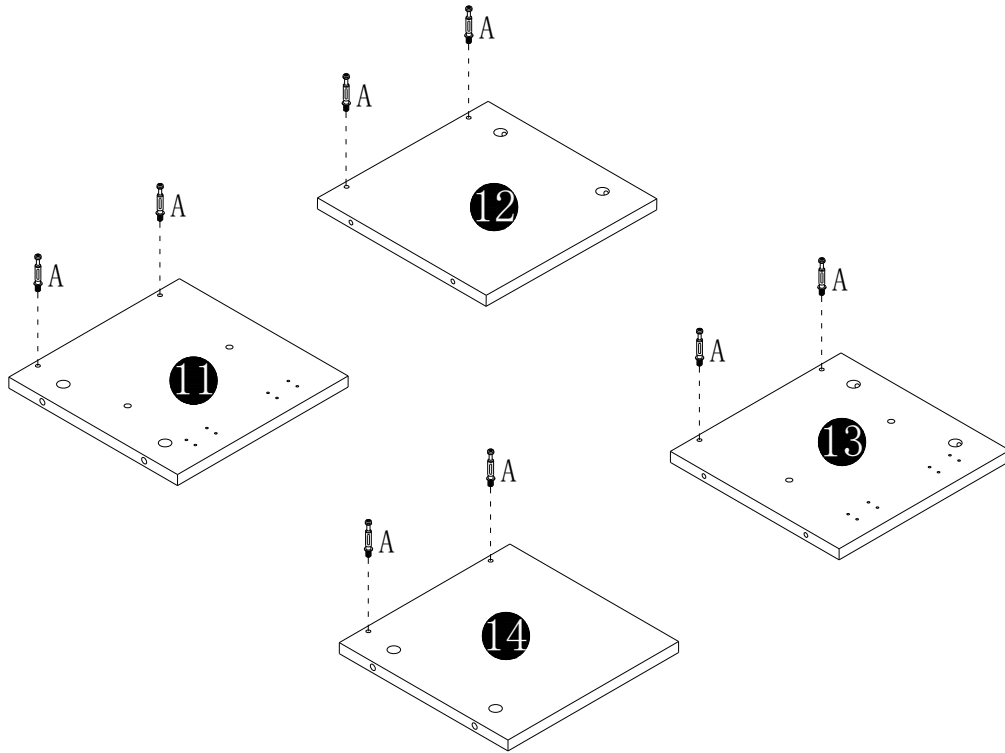
13



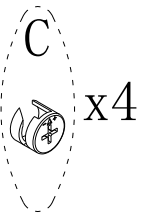
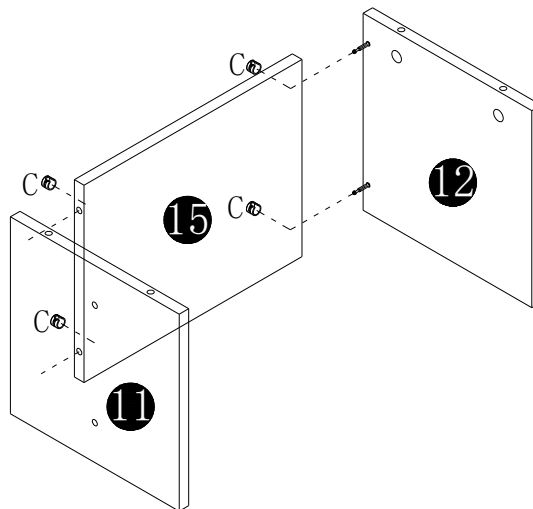
14



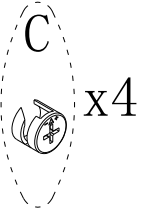
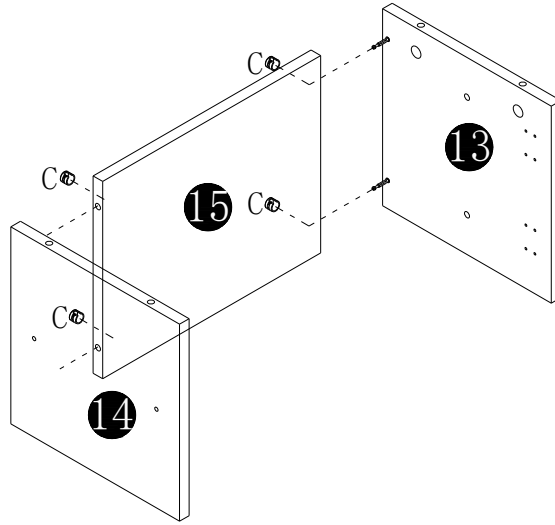
15



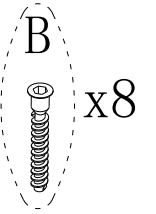
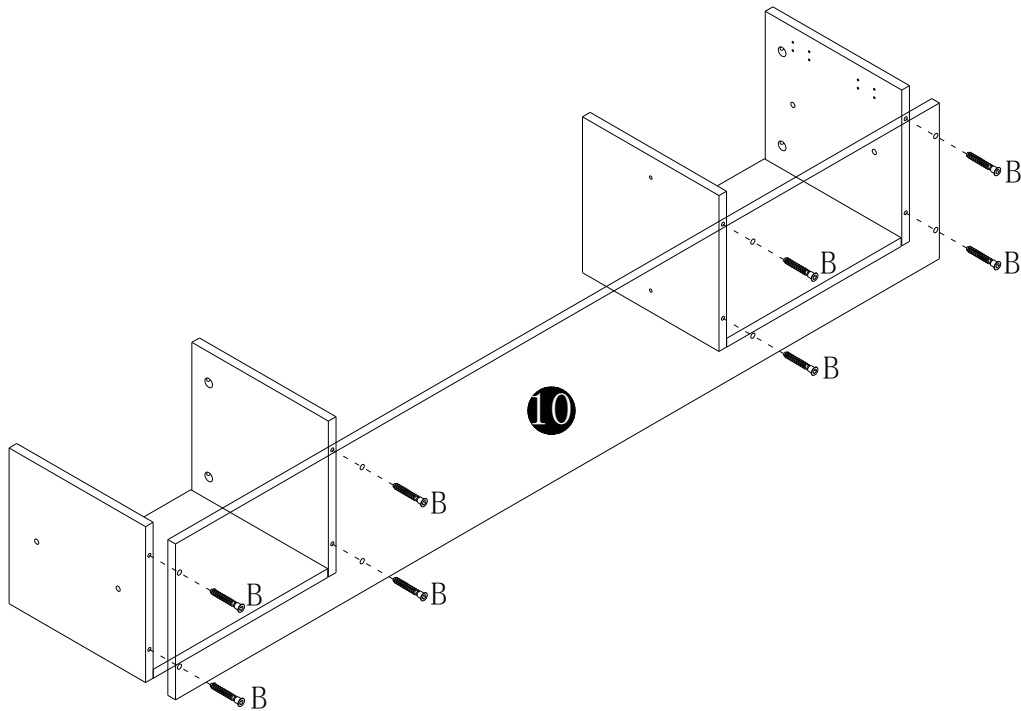
16



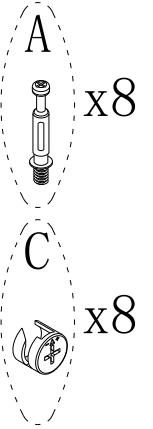
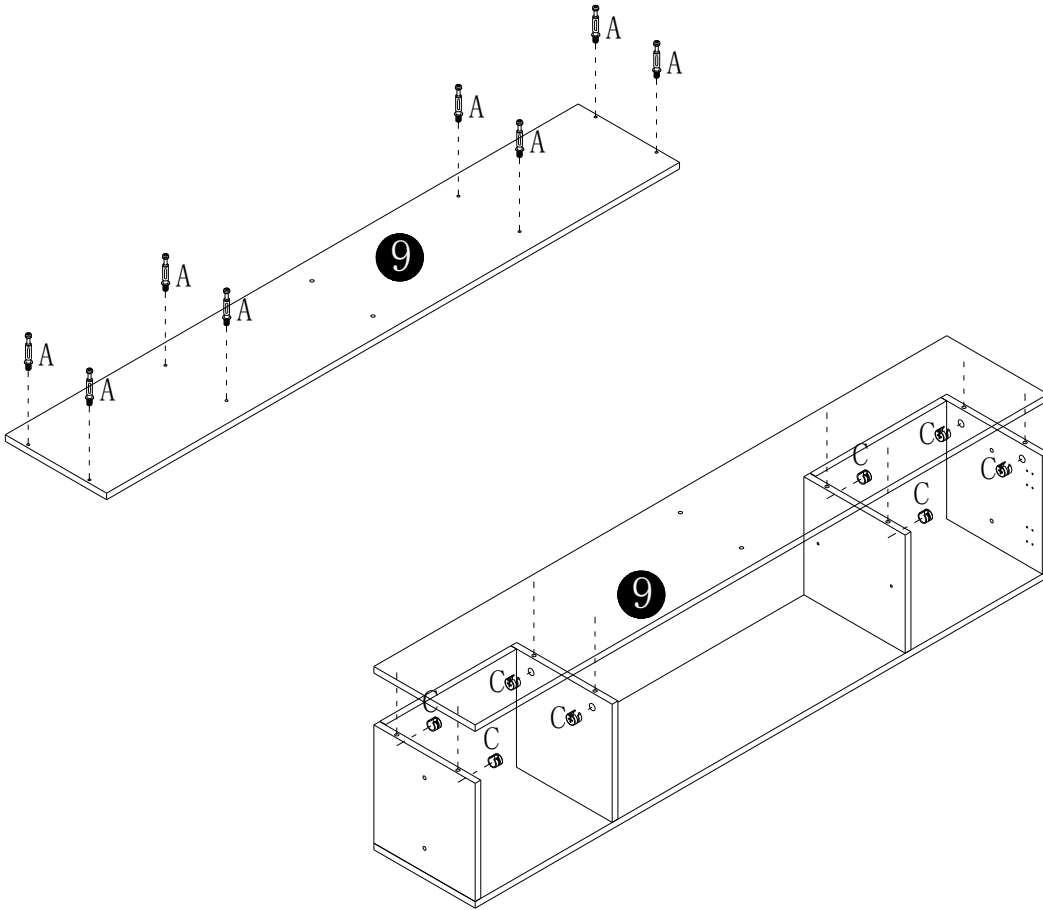
17



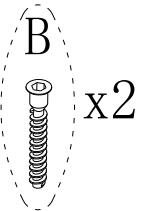
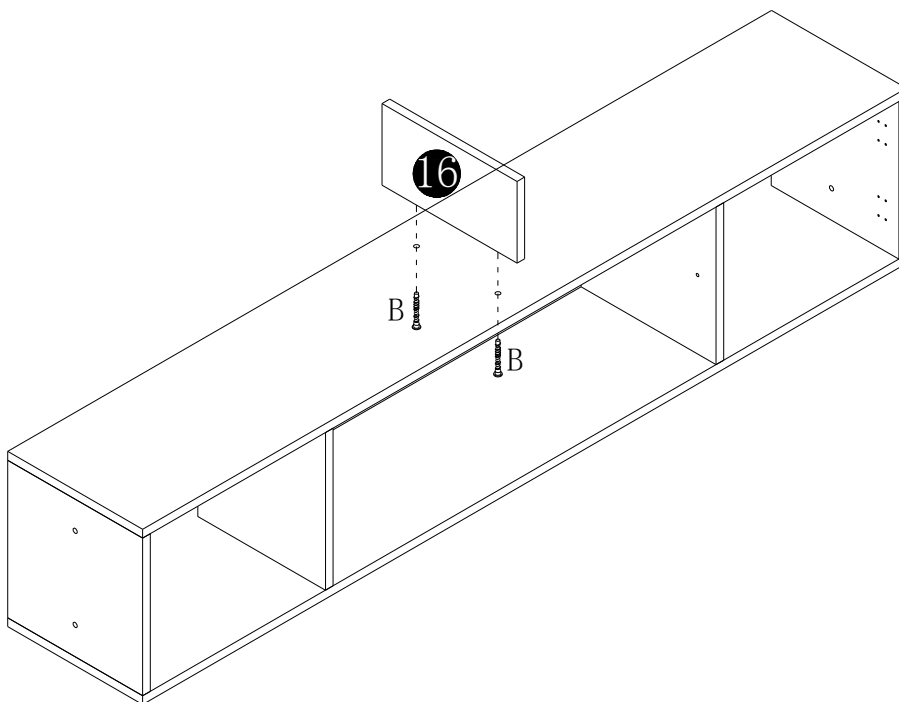
18



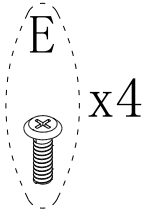
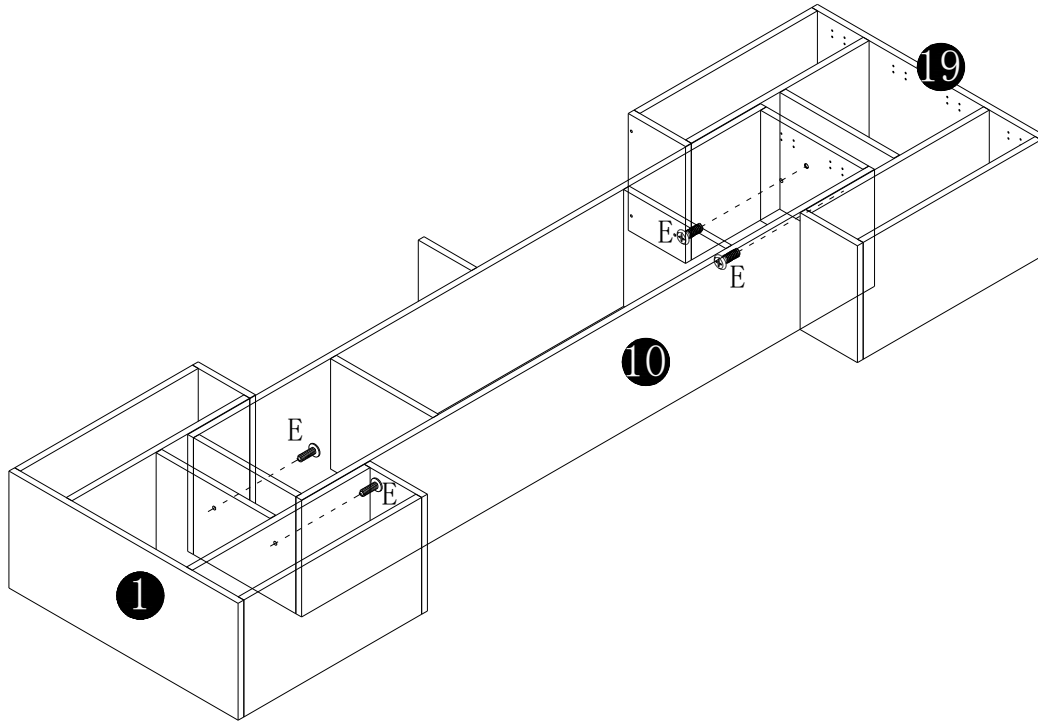
19



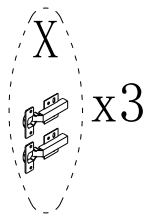
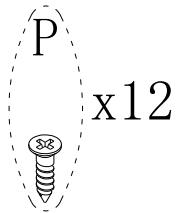
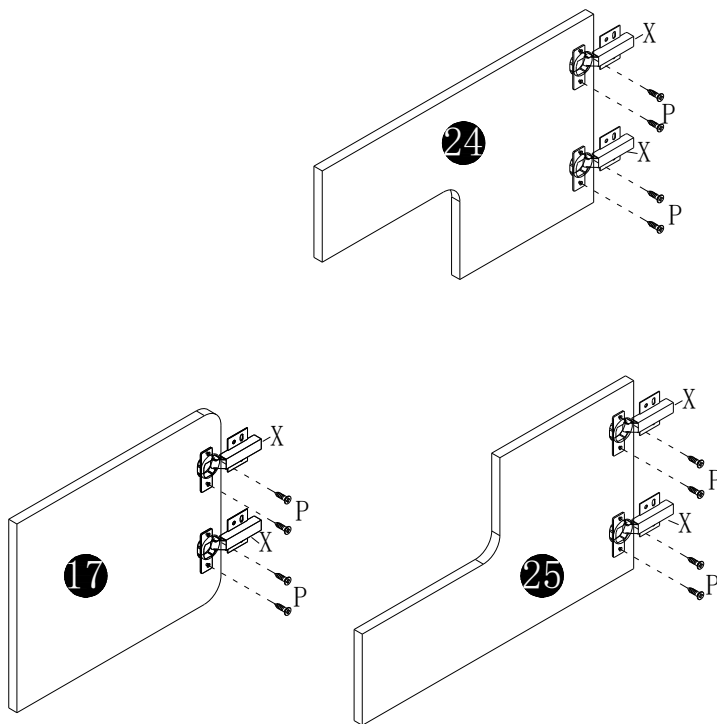
20



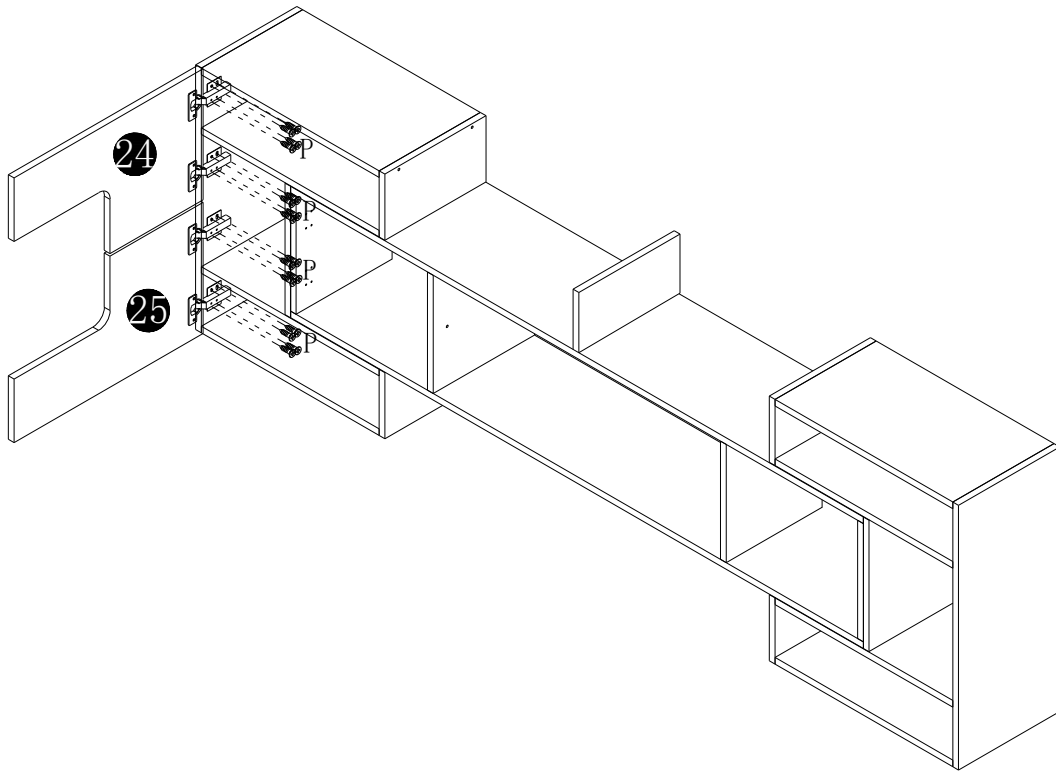
21



22

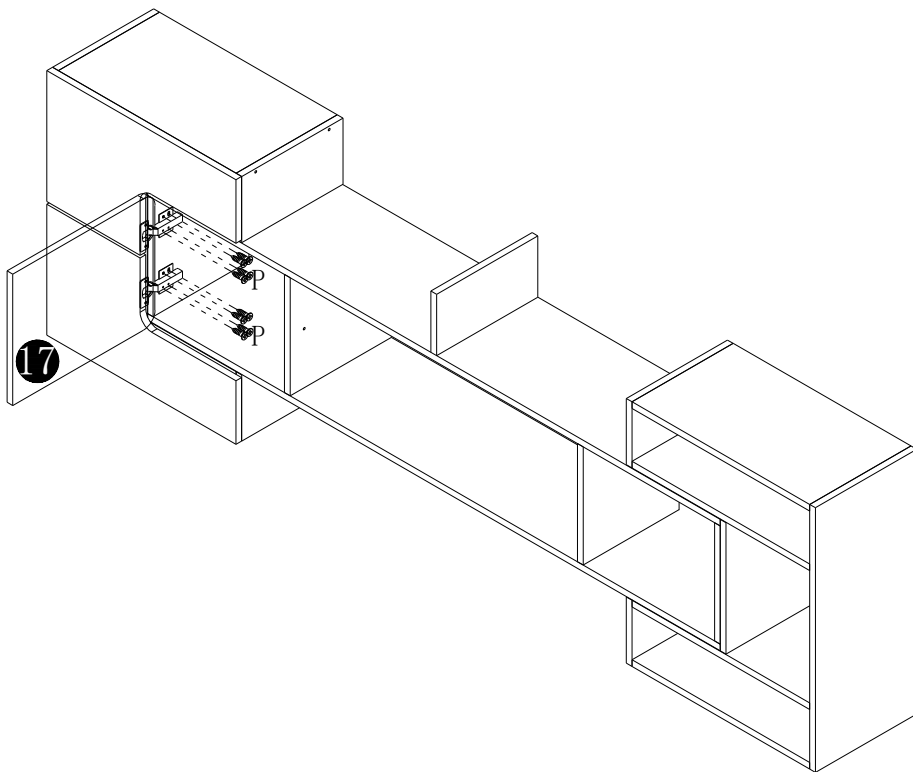


23



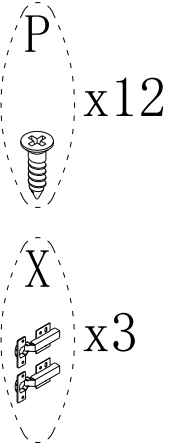
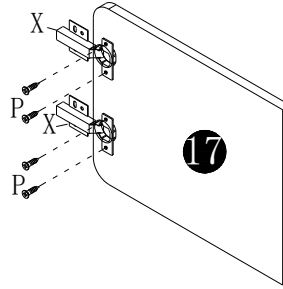
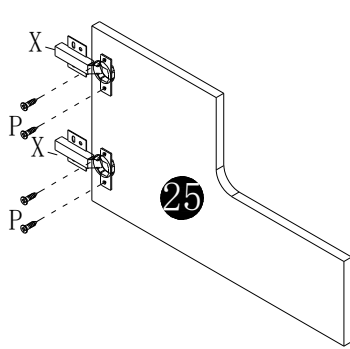
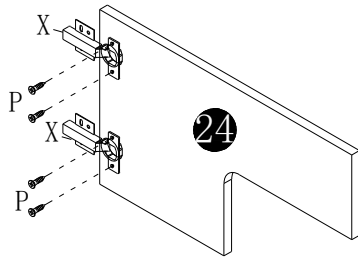
P x16

24

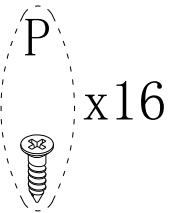
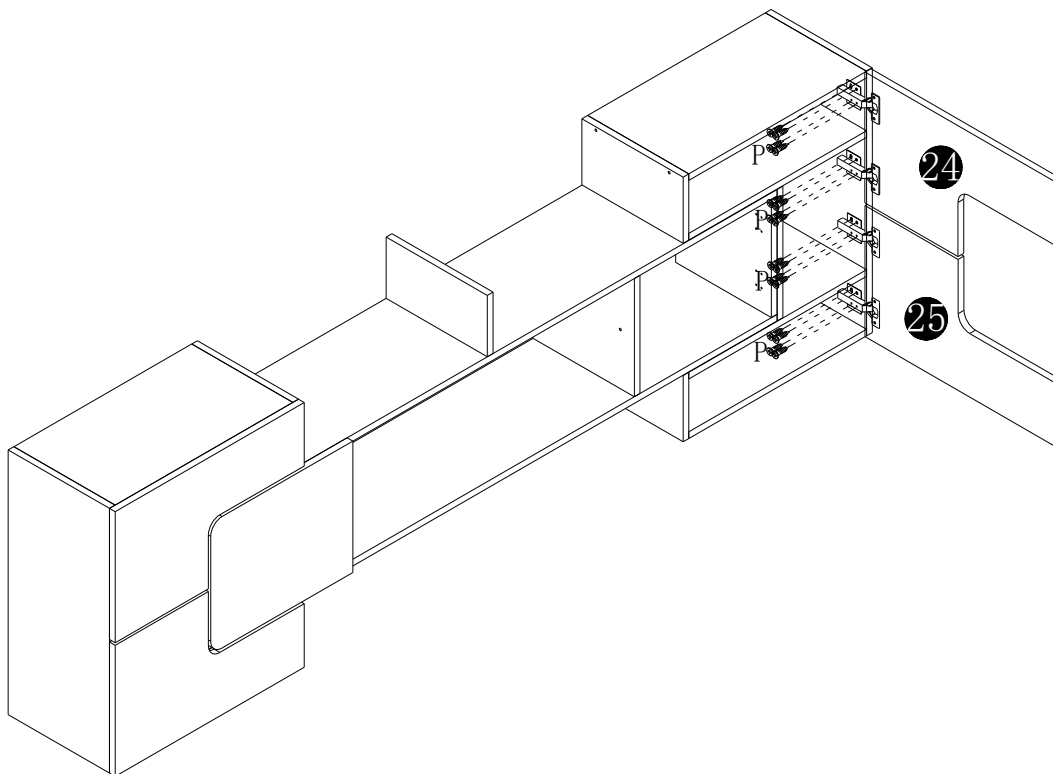


P x8

25

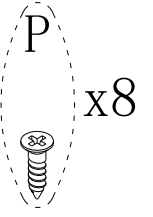
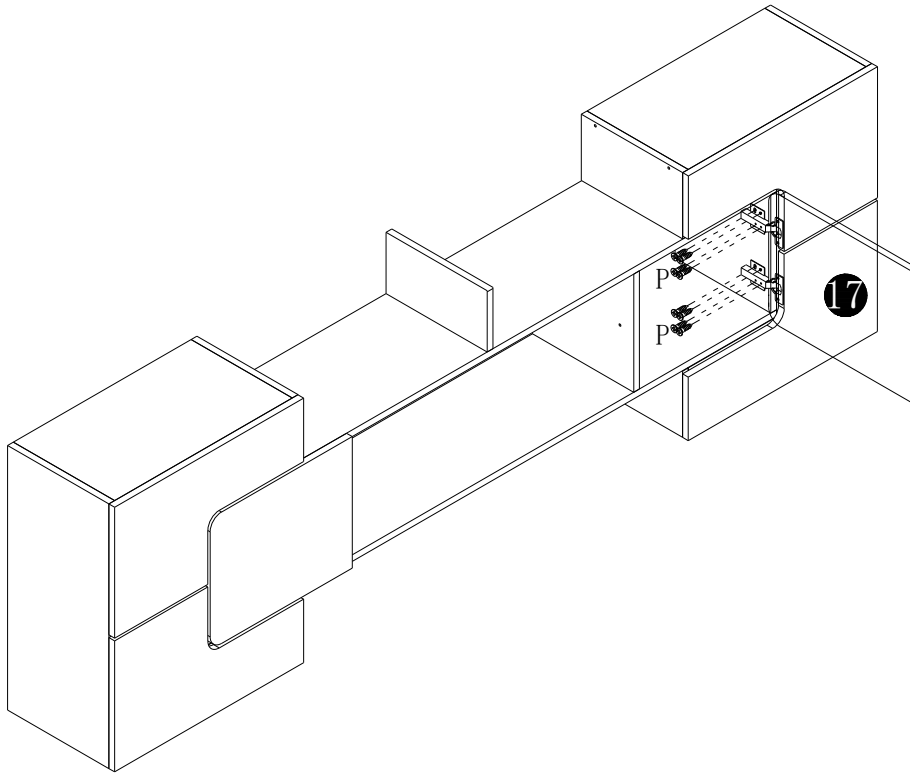


26

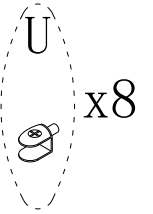
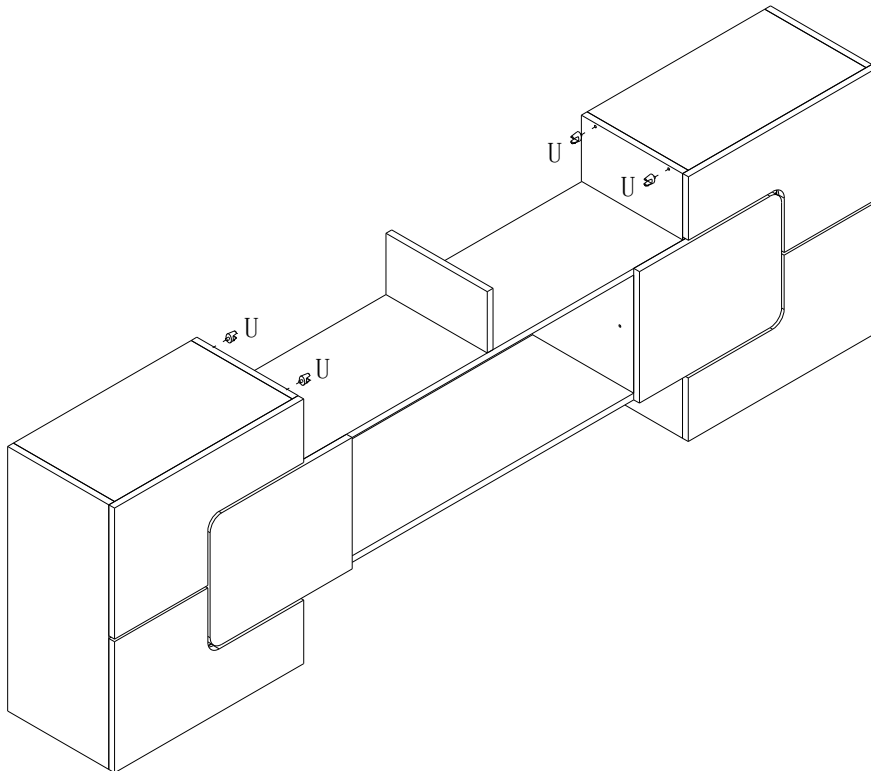




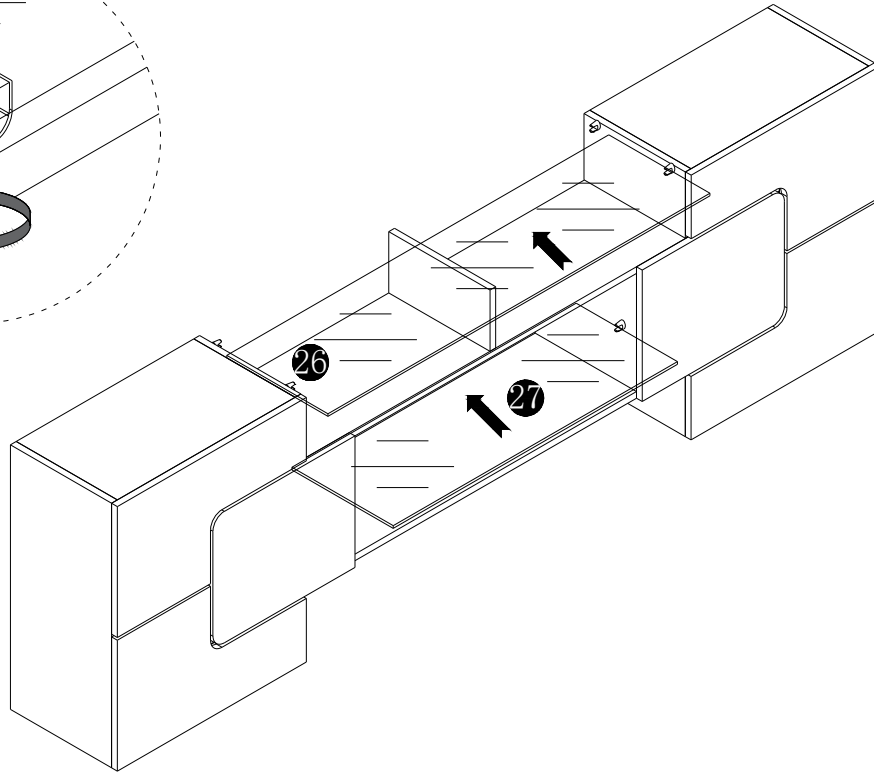
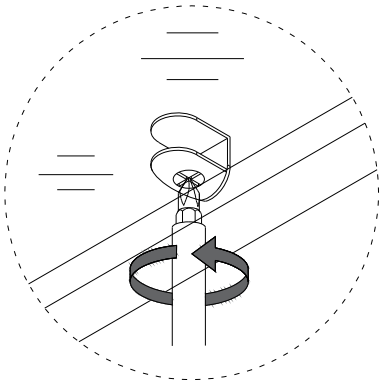
27



28



29



30

