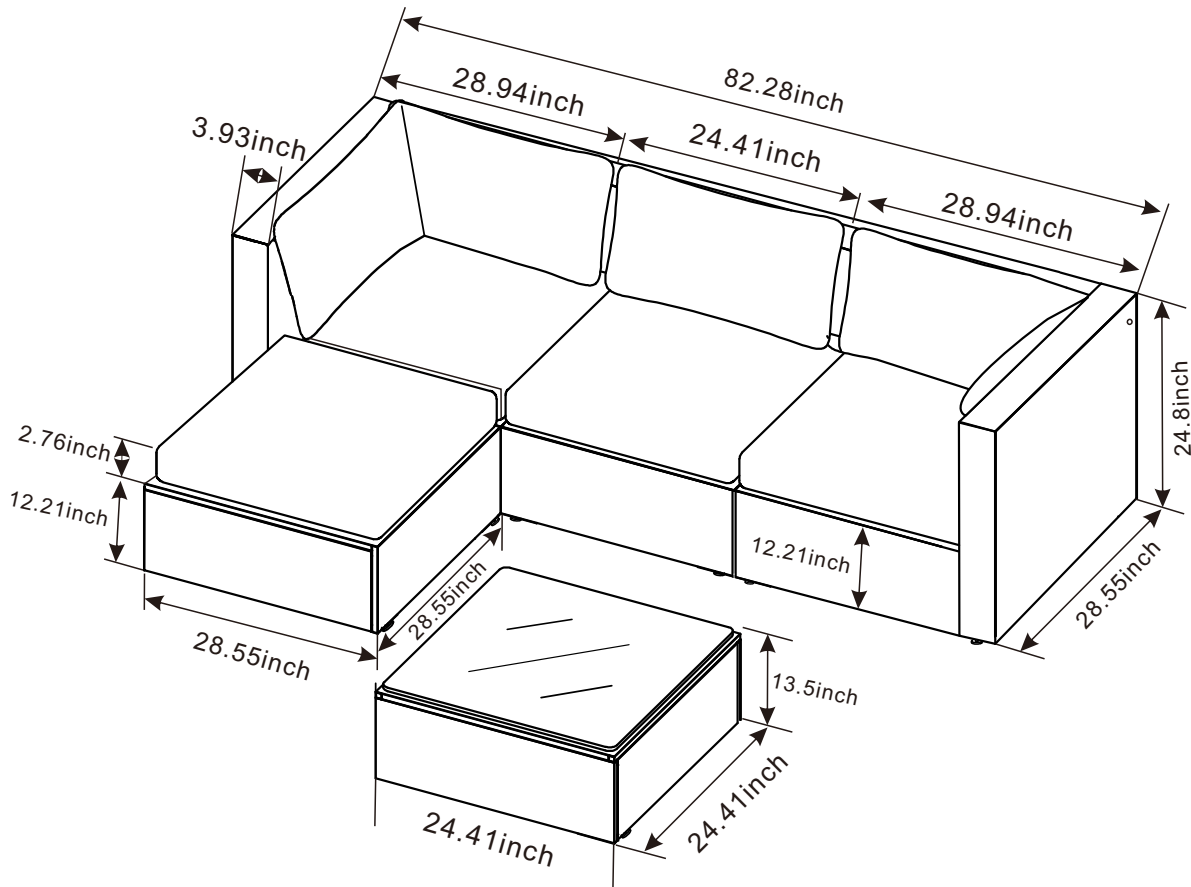


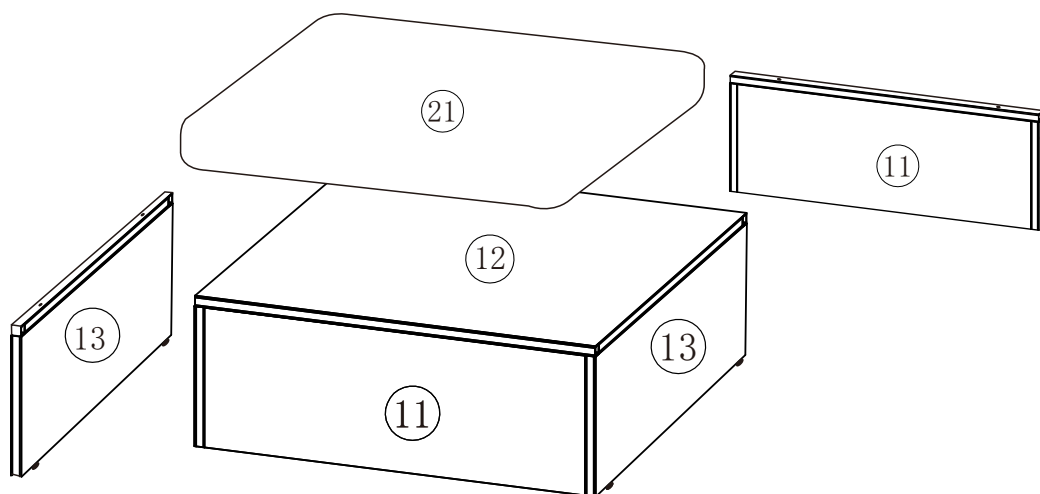
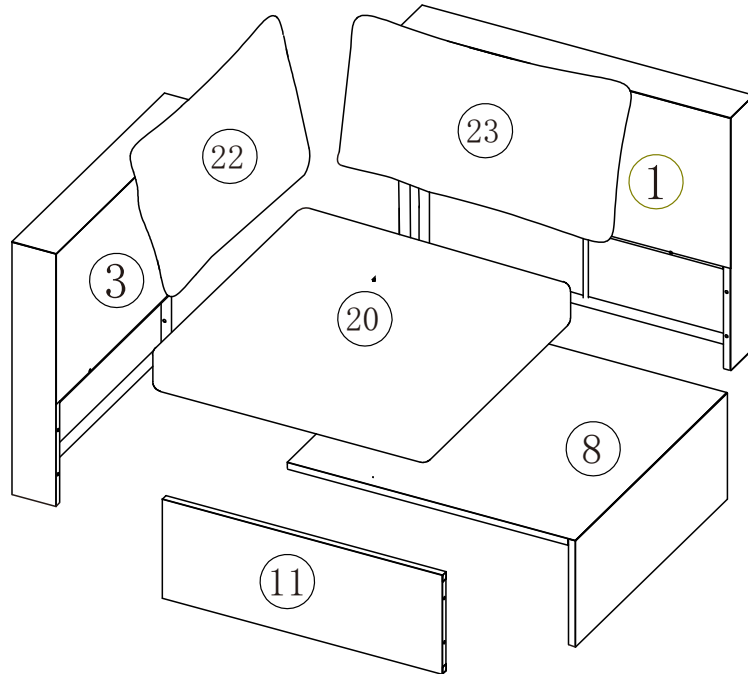
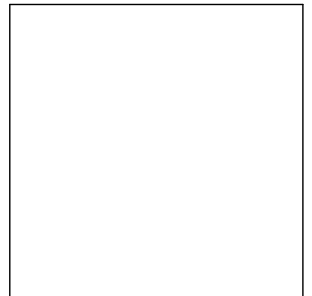
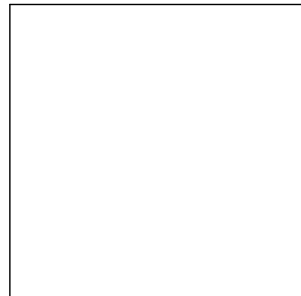
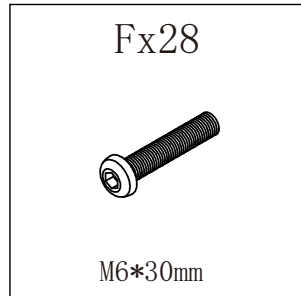
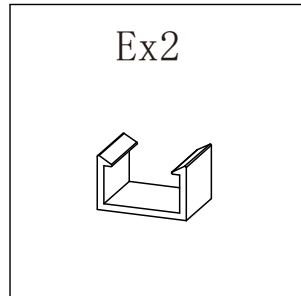
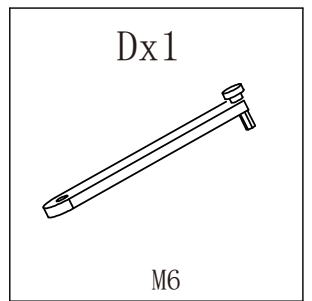
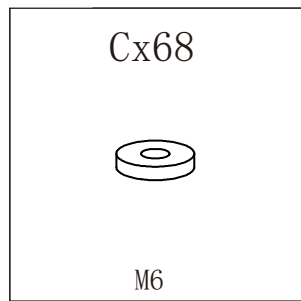
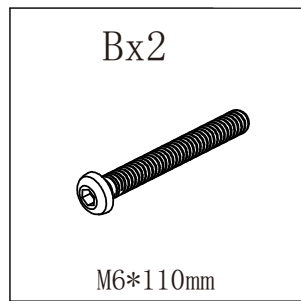
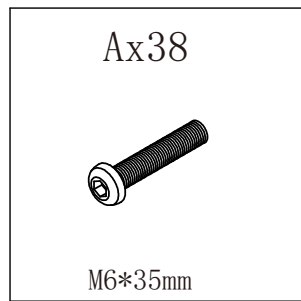
Patio Furniture Sets

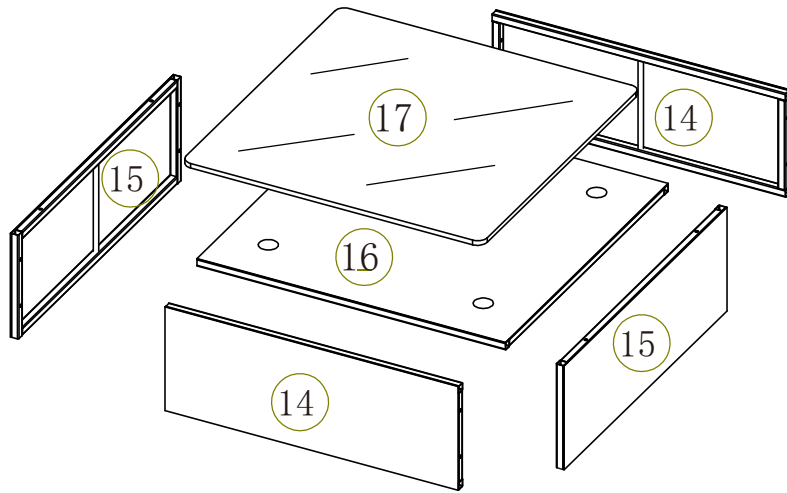
DL-P23011-D.Blue:W1703S00021
DL-P23011-Beige:W1703S00022
DL-P23011-Grey:W1703S00023



Notice:

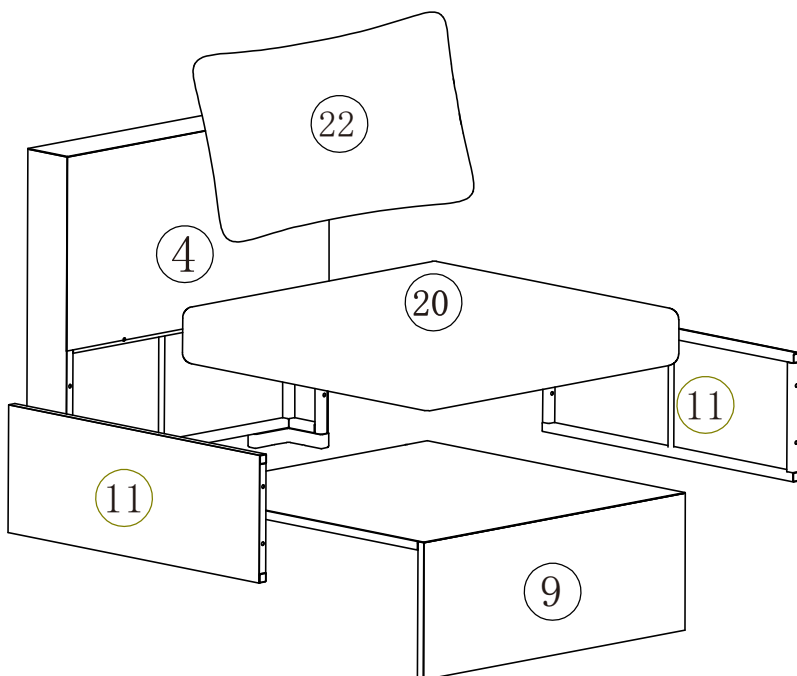
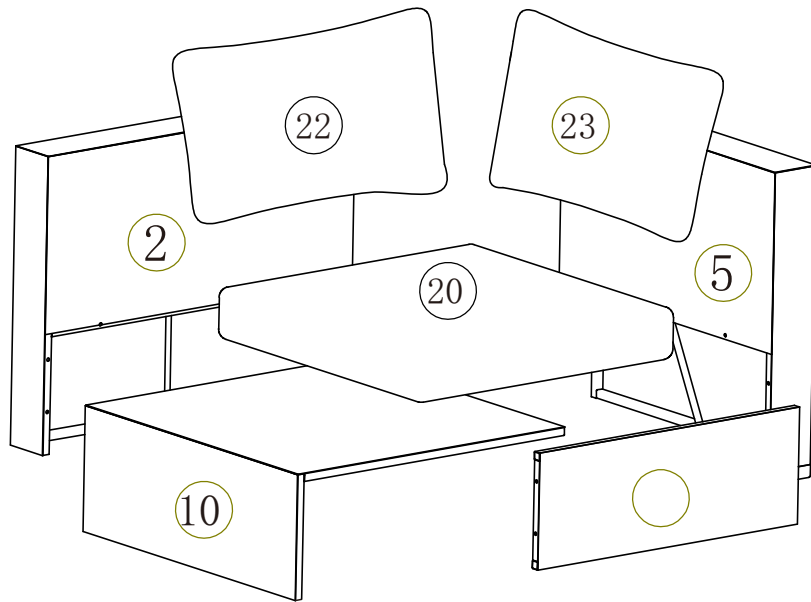
1. 50% Tighten before fixing all screws, Allen wrench is recommended instead of an electric drill.
2. Place the item on a flat ground to adjust and make sure it remains stable.
3. Tighten up all screws with tools gradually.
4. If the screws are not aligned with holes during assembly, please loosen all the other screws to 50% and continue the assembly process.
5. If the item is not stable, please loosen all the screws, adjust it on a flat ground and tighten up all screws again.
6. Note : If one or some screws are fully tightened during assembly, chances are the others will not be aligned with holes. In addition, all the holes are designed to be relatively larger to provide more space for the adjustment of the screws.





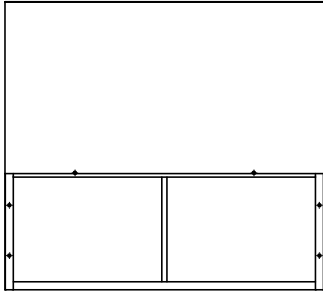
x1

x1

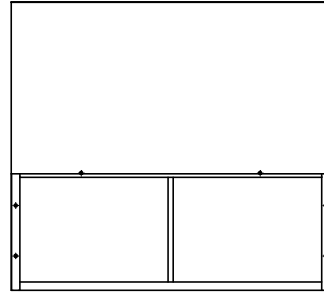


x1

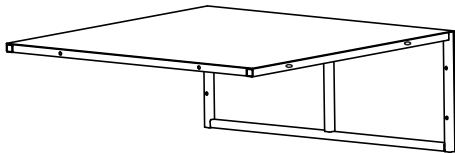
Box: 1/2



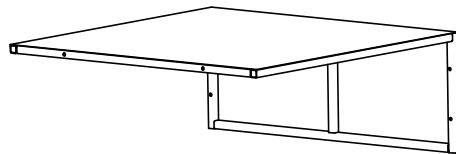
② x1



④ x1



⑧ x1



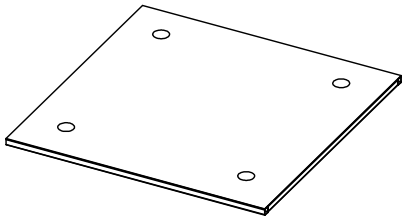
⑩ x1



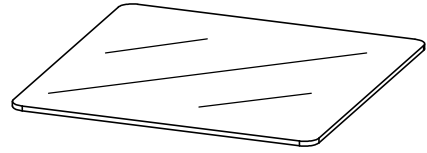
⑭ x2



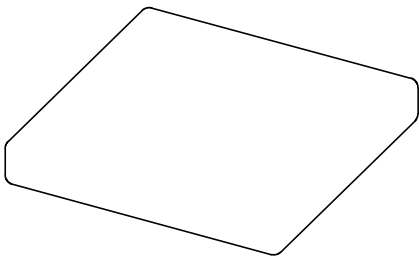
⑮ x2



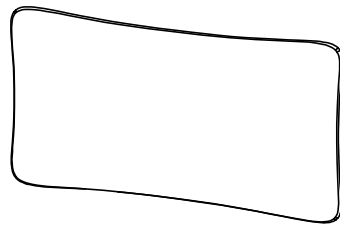
16 x1



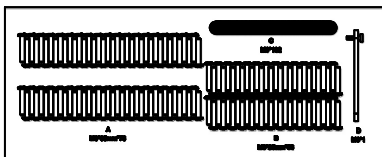
17 x1



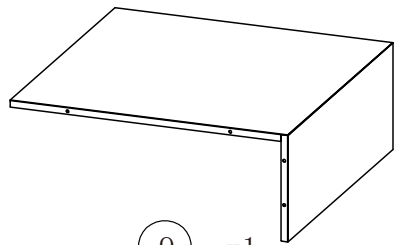
20 x2



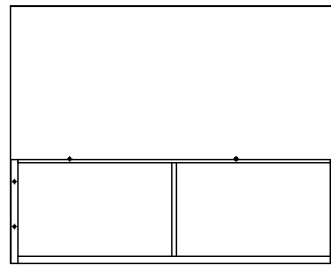
22 x3



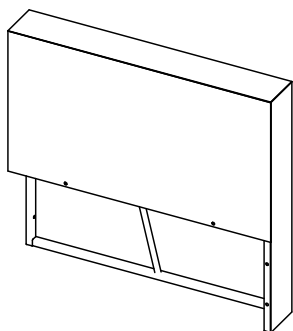
Box: 2/2



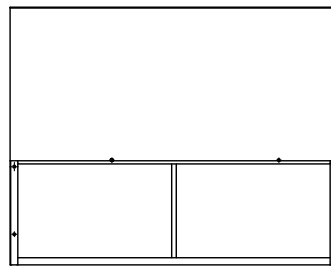
9 x1



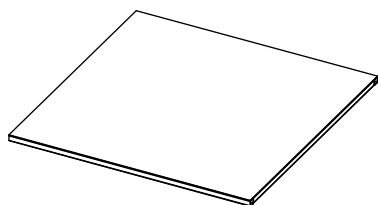
5 x1



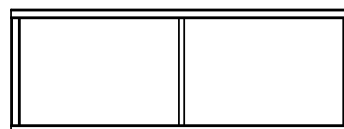
6 x1



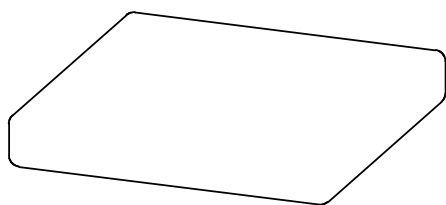
3 x1



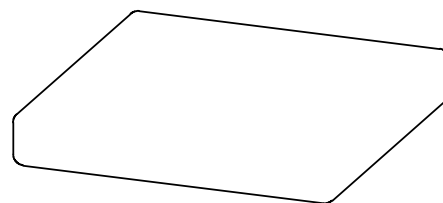
12 x1



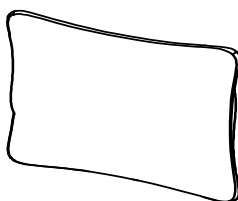
11 x6



20 x1






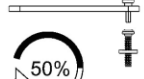


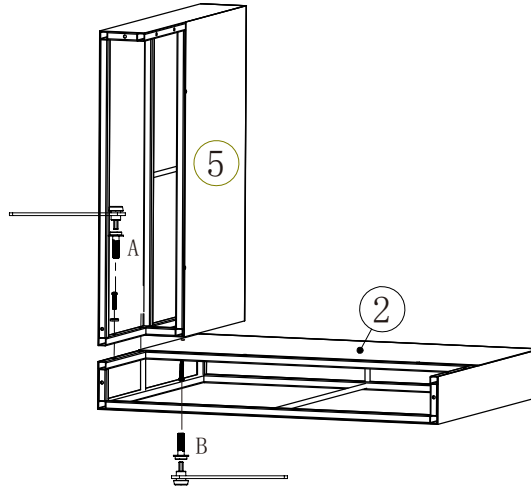
21 x1







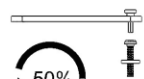
23 x2

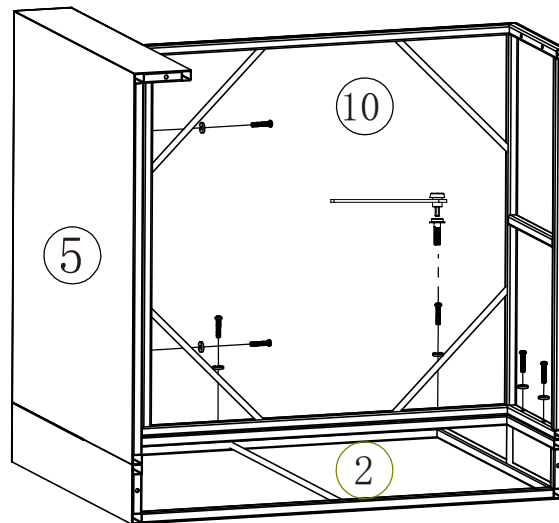
1

Ax1 M6x35 	Bx1 M6x110 	Cx2 M6 	D M6 		 
---	--	--	--	--	--







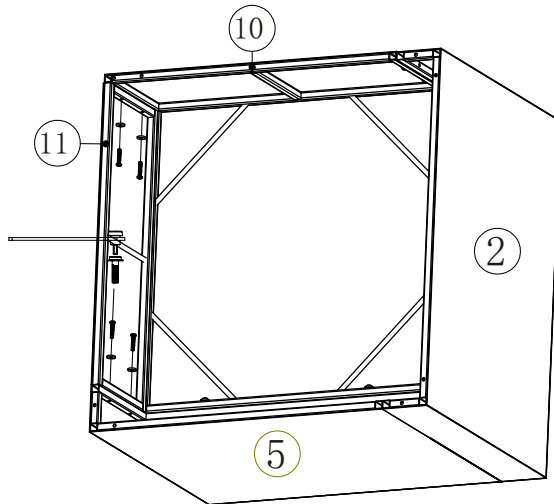
2

Ax6 M6x35 	Cx6 M6 	D M6 		 
---	--	--	--	--



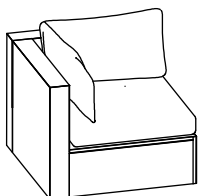
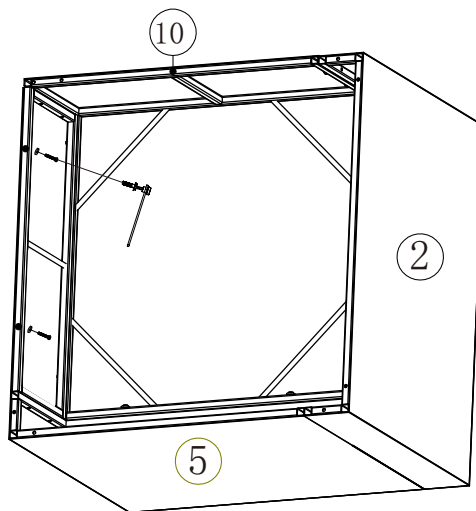
3

Ax4  M6x35	Cx4  M6	D  M6			 50%
---	--	--	--	--	--





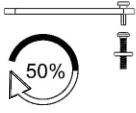


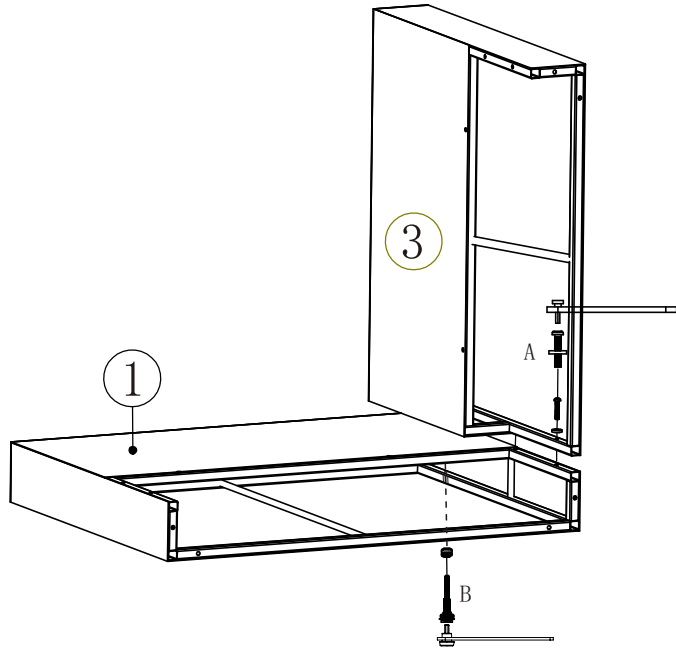
4

Ax4  M6x35	Cx6  M6	D  M6			 50%
---	--	--	--	--	--




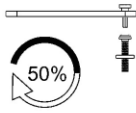


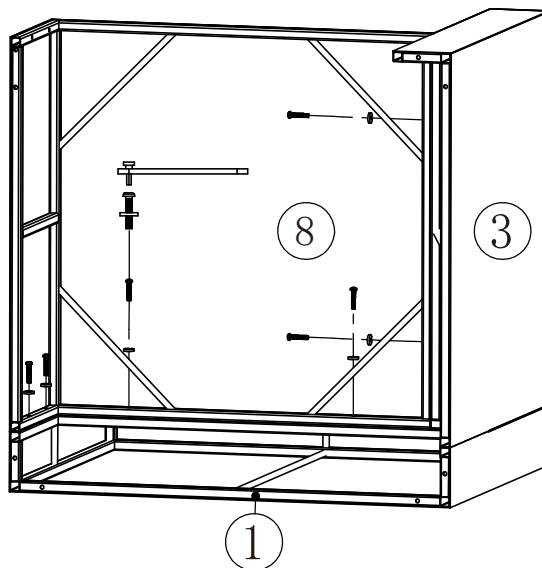
1

Ax1  M6x35	Bx1  M6x110	Cx2  M6	D  M6	
---	--	--	--	---


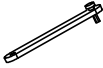



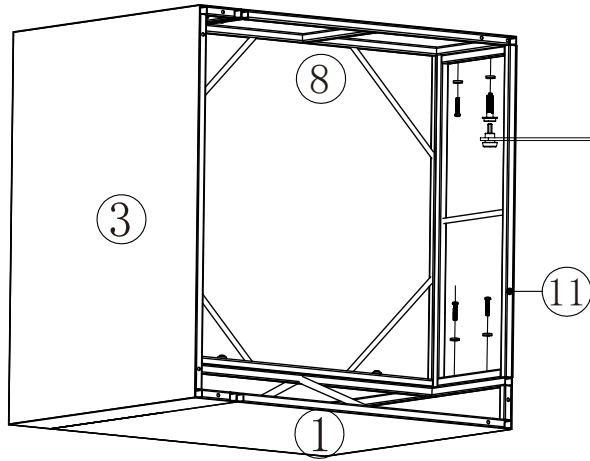
2

Ax6  M6x35	Cx6  M6	D  M6	
---	--	--	---







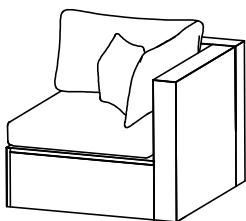
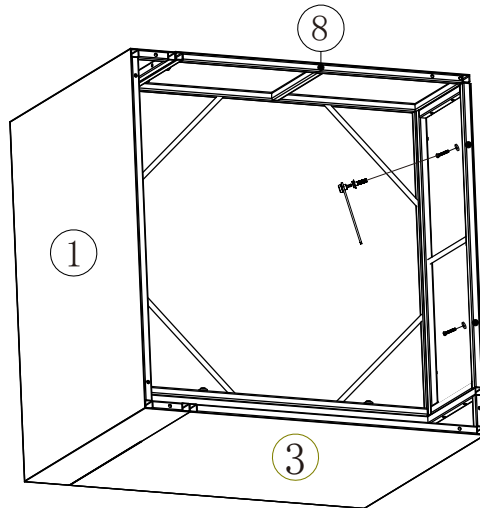
3

Ax4  M6x35	Cx4  M6	D  M6		 50%
---	--	--	--	--







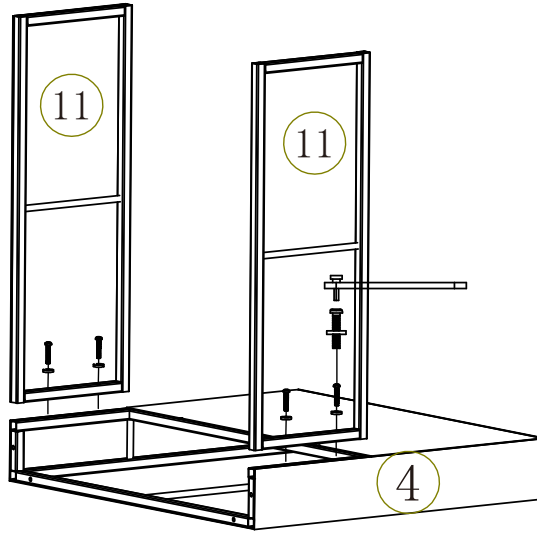
4

Ax2  M6x35	Cx2  M6	D  M6		 50%
---	--	--	--	--




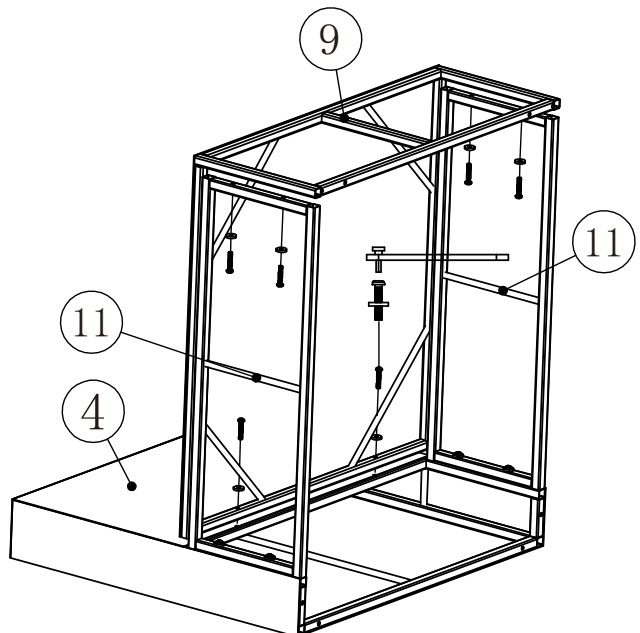
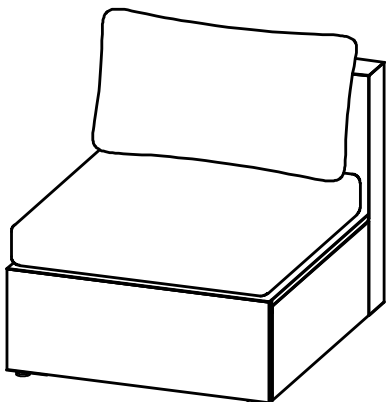
1

Ax4 M6x35 	Cx4 M6 	D M6 		
---	--	--	--	---






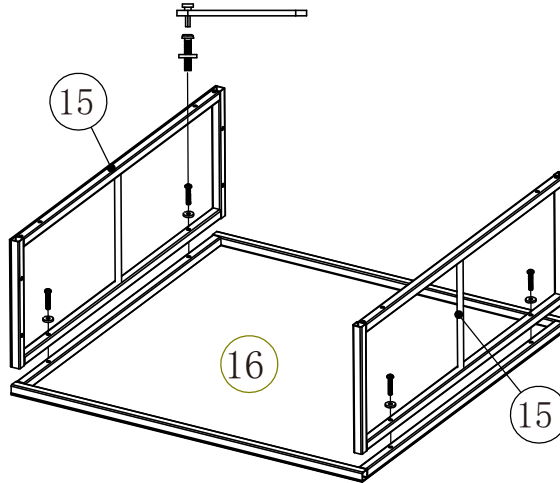
2

Ax6 M6x35 	Cx6 M6 	D M6 		
---	--	--	--	---




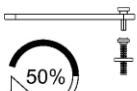


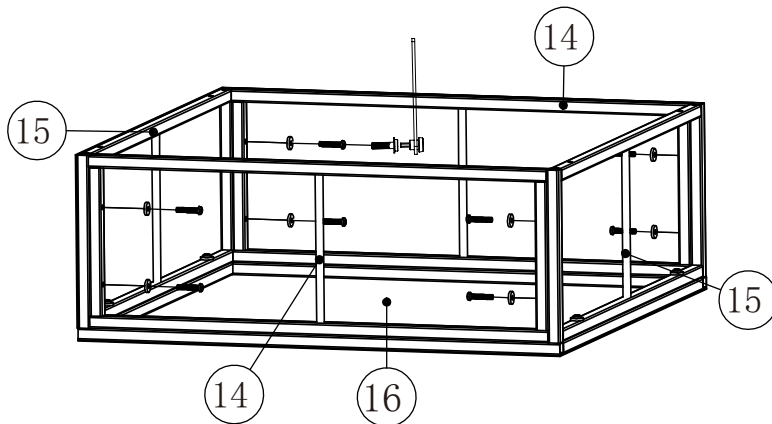
1

Fx4  M6x30	Cx4  M6	D  M6			
---	--	--	--	--	--



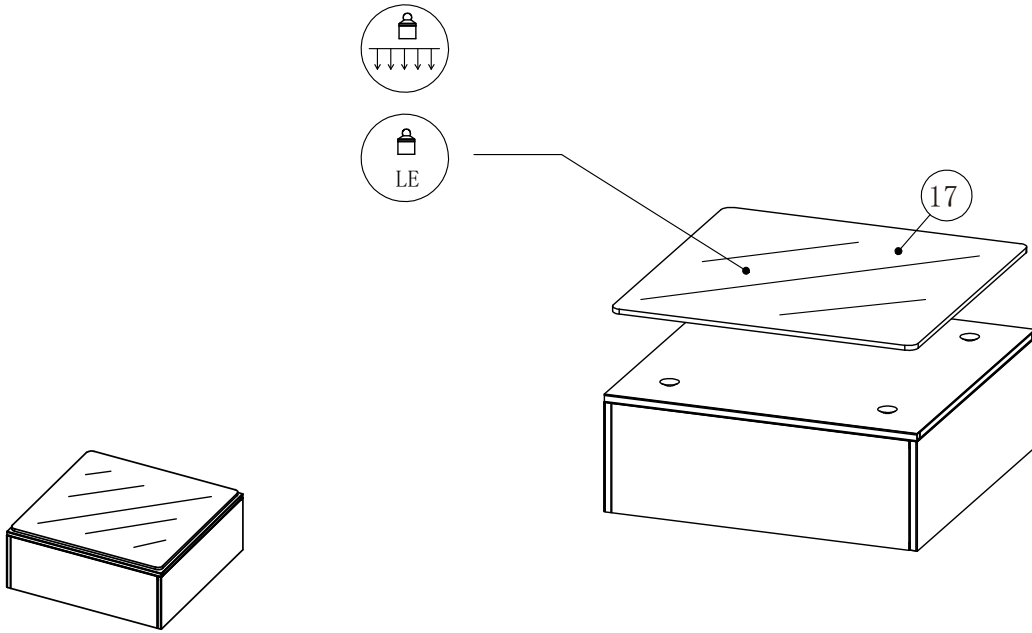
2

Fx8  M6x30	Cx8  M6	D  M6		 50%
---	--	--	--	--



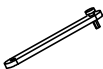



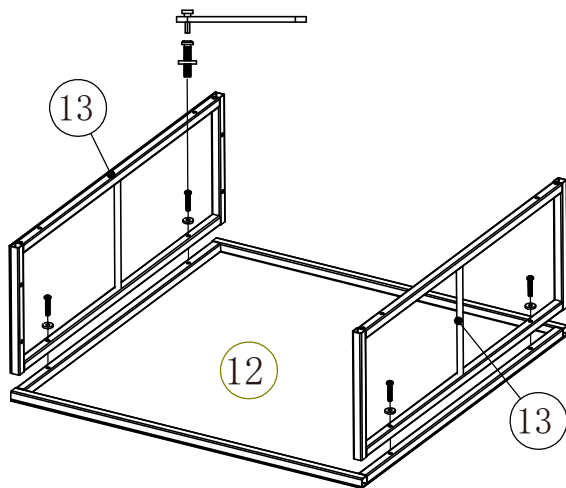
3

17x1 				 50%
---	--	--	--	--




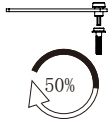


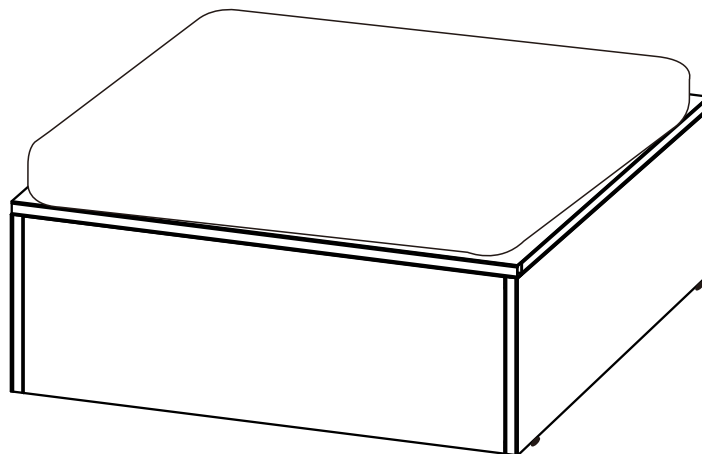
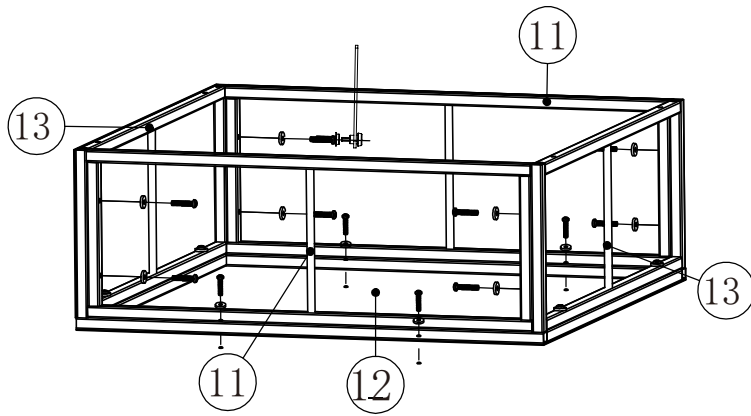
1

Fx8  M6x30	Cx4  M6	D  M6		 100%
---	--	--	--	---

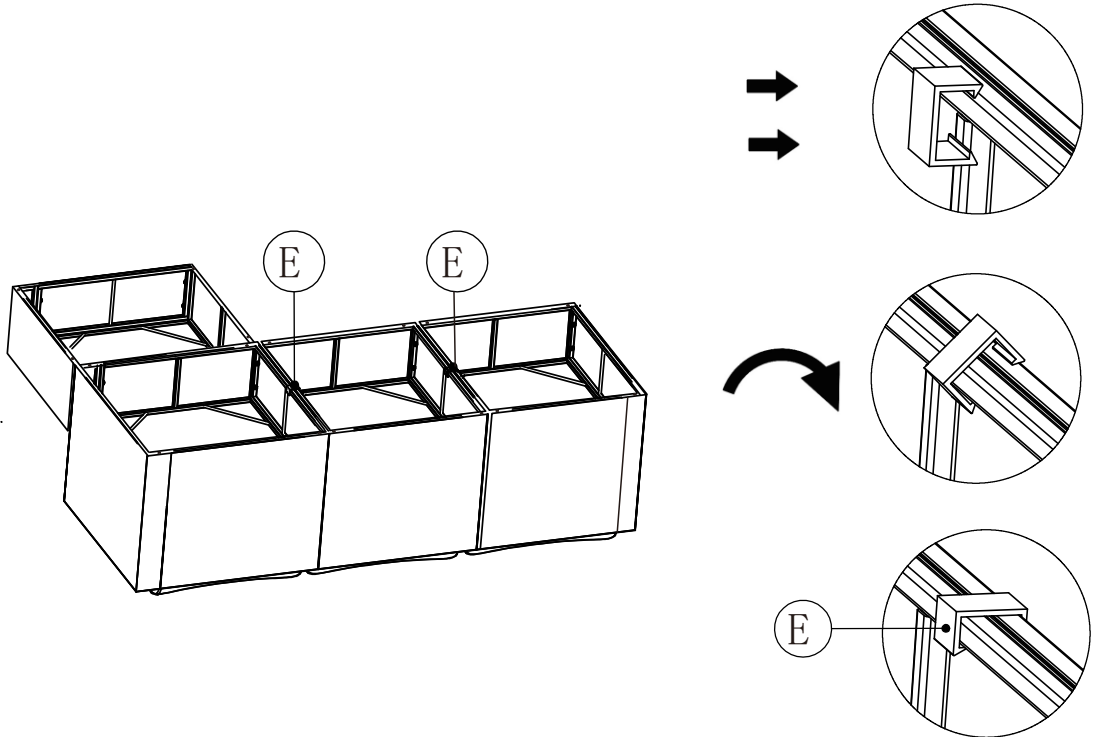


2

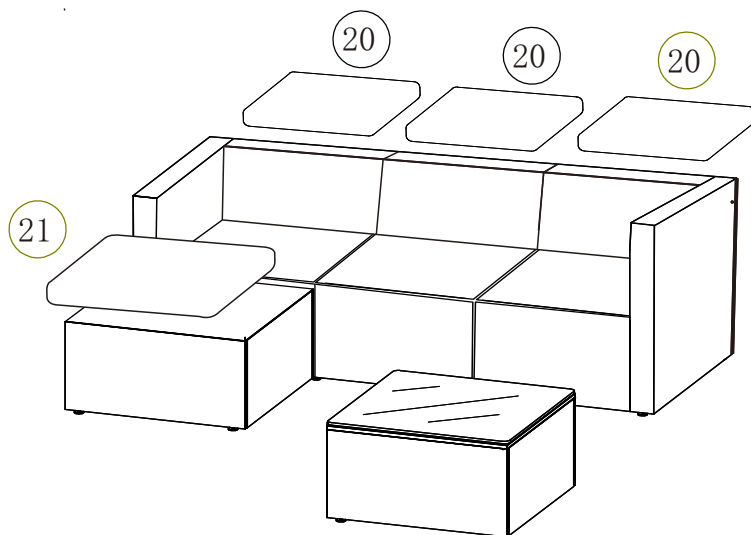
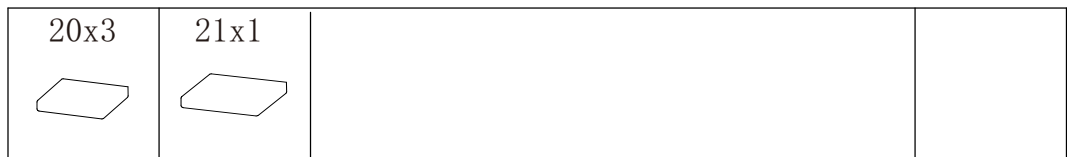
Fx8  M6x30	Cx8  M6	D  M6	
---	--	--	---



1



2



3

22*3 	23*2 		
---	---	--	--

